



US00D595898S

(12) **United States Design Patent**
Syran et al.

(10) **Patent No.:** **US D595,898 S**
(45) **Date of Patent:** **** Jul. 7, 2009**

(54) **PEDICURE BRUSH**

(75) Inventors: **Christopher Syran**, Øvre Smedstadvei
30E, N-0378 Oslo (NO); **Warner**
Bonner, Atlanta, GA (US)

(73) Assignee: **Christopher Syran**, Oslo (NO)

(**) Term: **14 Years**

(21) Appl. No.: **29/269,019**

(22) Filed: **Nov. 16, 2006**

(30) **Foreign Application Priority Data**

May 19, 2006 (EM) 000532635

(51) **LOC (9) Cl.** **28-03**

(52) **U.S. Cl.** **D28/63**

(58) **Field of Classification Search** D4/119,
D4/120, 130, 136; D28/56, 57, 63; D32/47;
4/605, 606, 622; 15/104.92, 160, 161, 237;
601/27, 28, 134, 136

See application file for complete search history.

(56) **References Cited**

U.S. PATENT DOCUMENTS

2,852,793 A * 9/1958 Shelton 15/104.92

5,983,433 A * 11/1999 Chapman 15/104.92
D439,016 S * 3/2001 Syran et al. D28/63
6,226,811 B1 * 5/2001 Fagan 4/606
6,389,631 B1 * 5/2002 Keith 15/104.92
6,405,400 B1 * 6/2002 McClain 15/160
D463,625 S * 9/2002 Chau D28/63

* cited by examiner

Primary Examiner—Melanie H Tung

Assistant Examiner—Labone D Tabor

(74) *Attorney, Agent, or Firm*—Bachman & LaPointe, P.C.

(57) **CLAIM**

The ornamental design for a pedicure brush, as shown and described.

DESCRIPTION

FIG. 1 is a perspective view of a pedicure brush showing our new design;

FIG. 2 is a right side view of the pedicure brush of FIG. 1;

FIG. 3 is a rear view of the pedicure brush of FIG. 1;

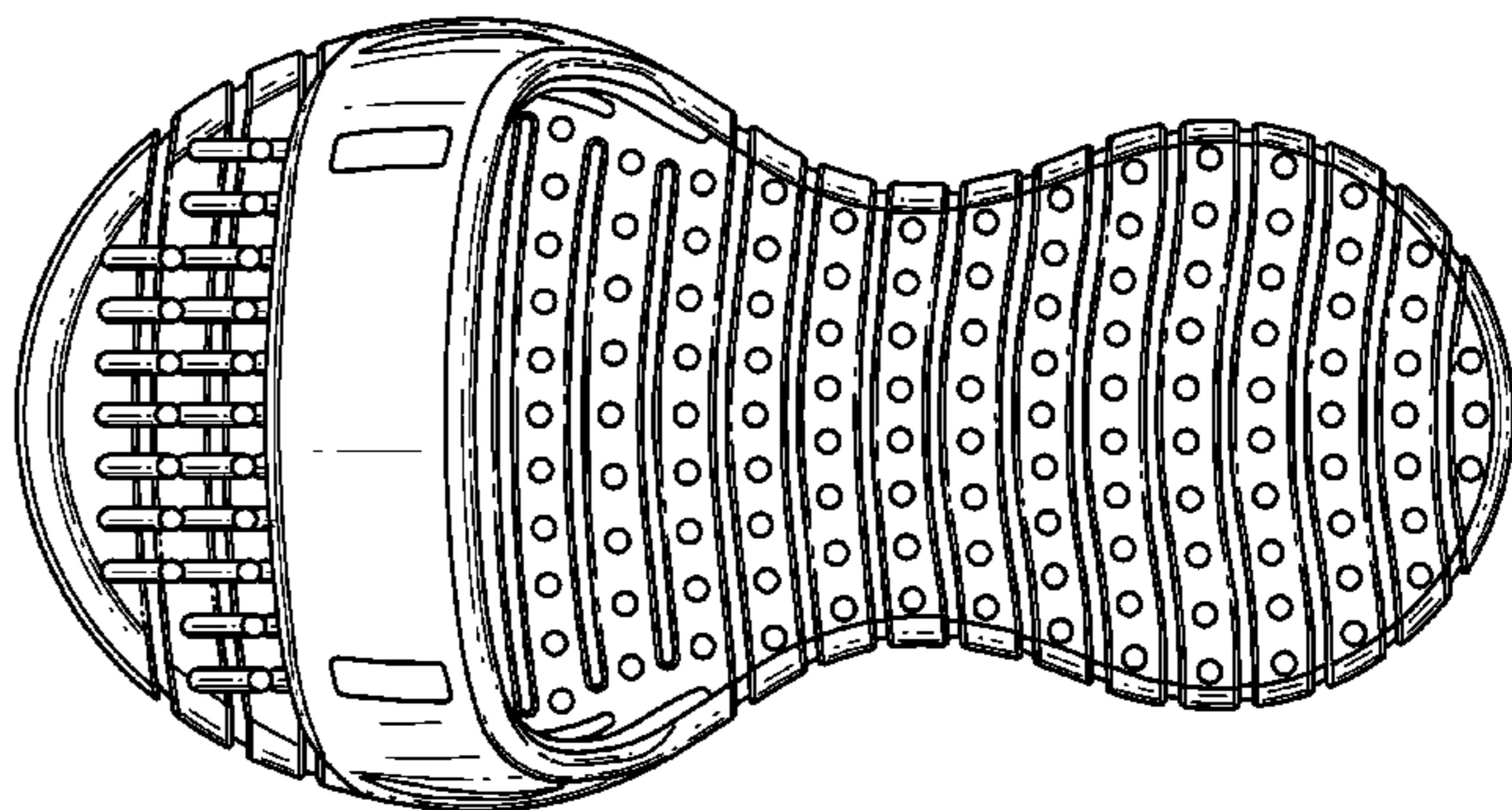
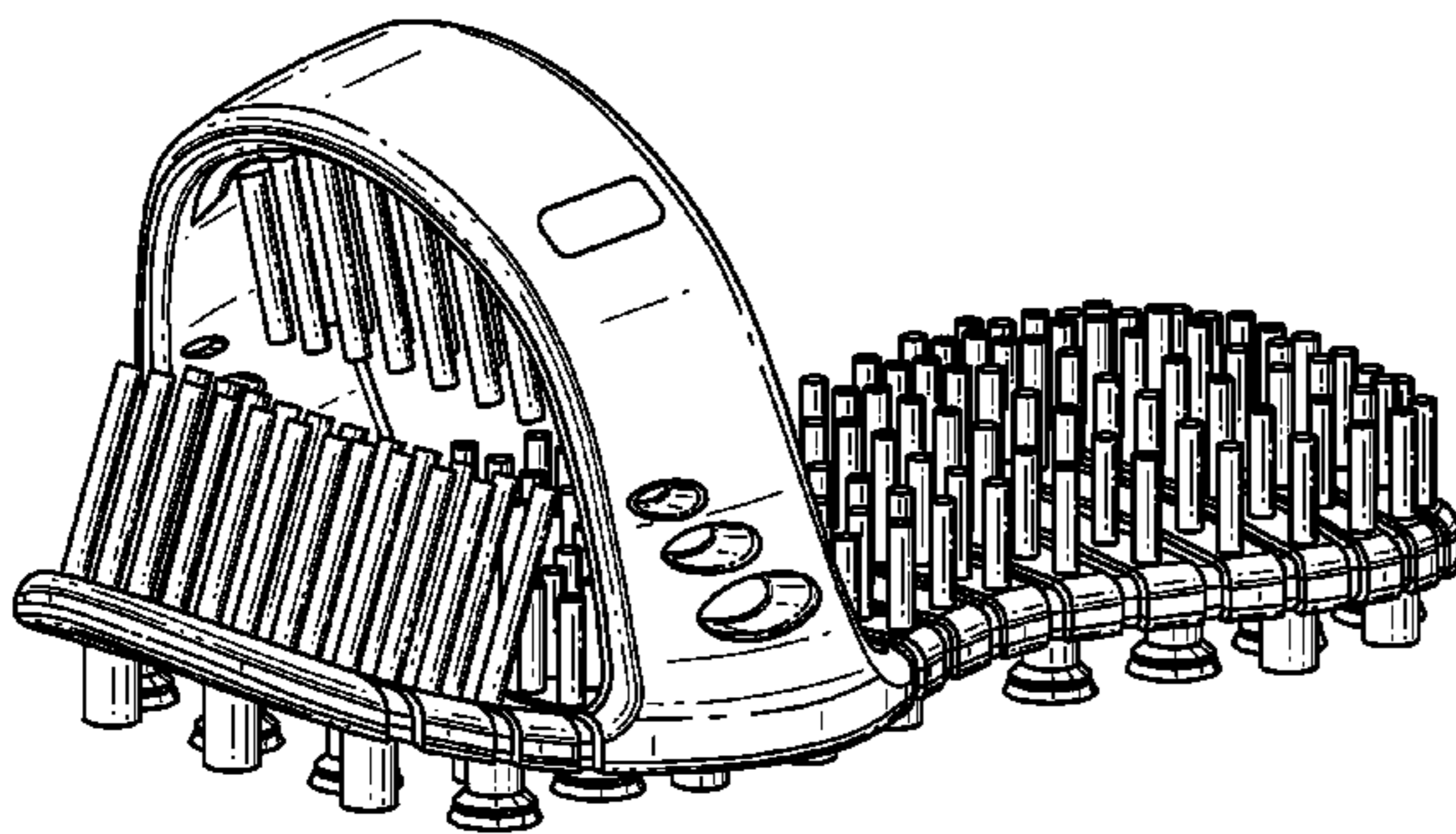
FIG. 4 is a left side view of the pedicure brush of FIG. 1;

FIG. 5 is a front view of the pedicure brush of FIG. 1;

FIG. 6 is a top view of the pedicure brush of FIG. 1; and,

FIG. 7 is a bottom view of the pedicure brush of FIG. 1.

1 Claim, 6 Drawing Sheets



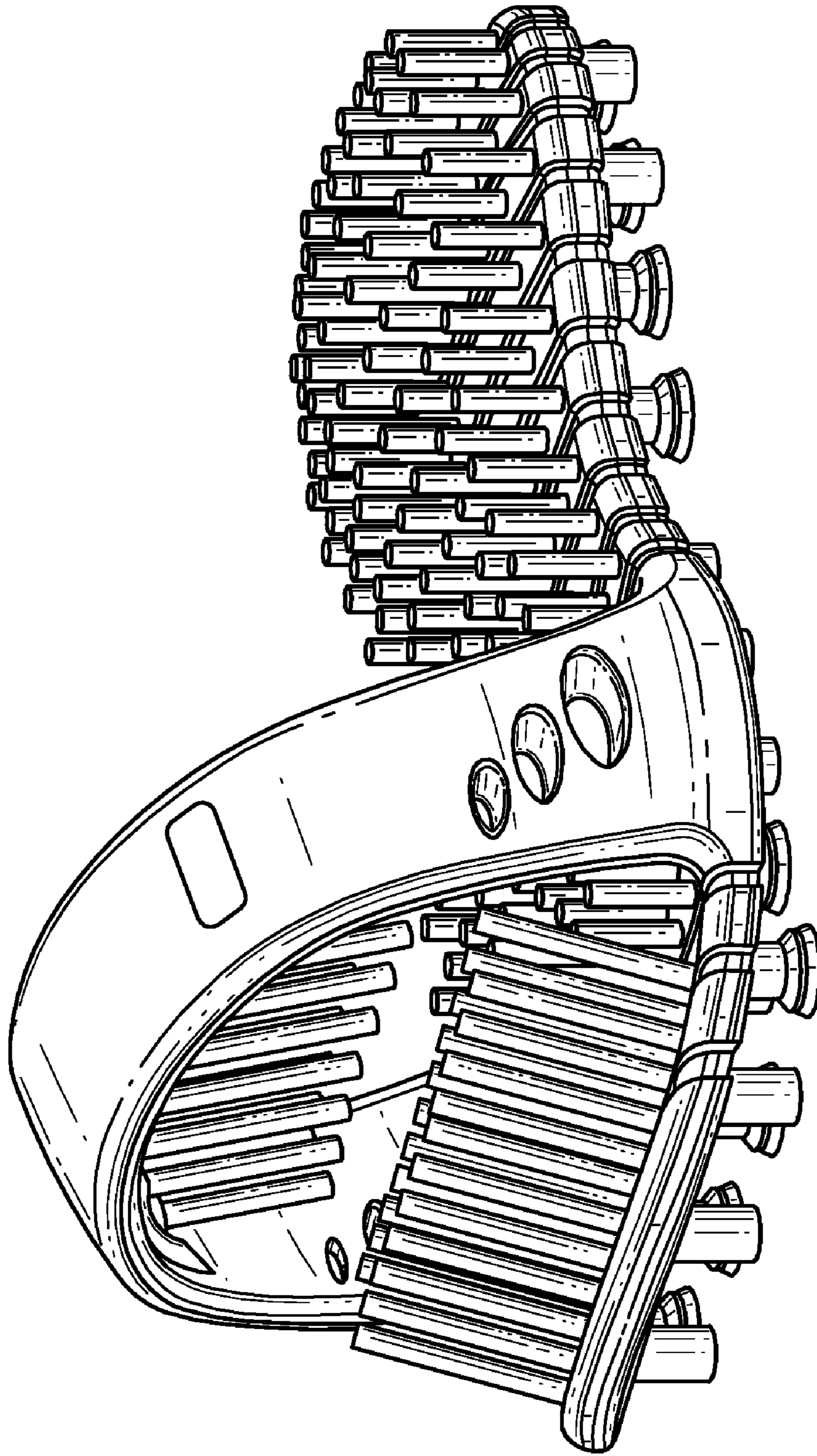


FIG. 1

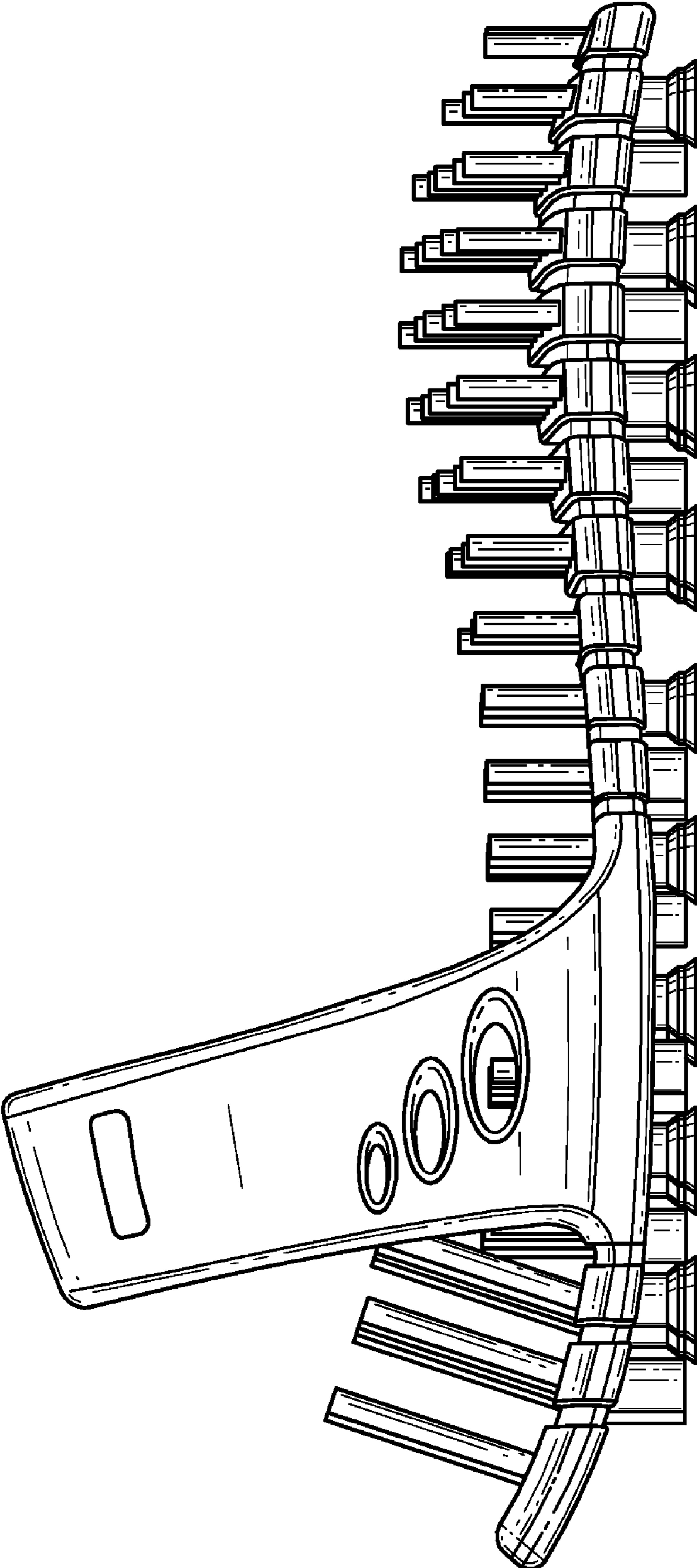


FIG. 2

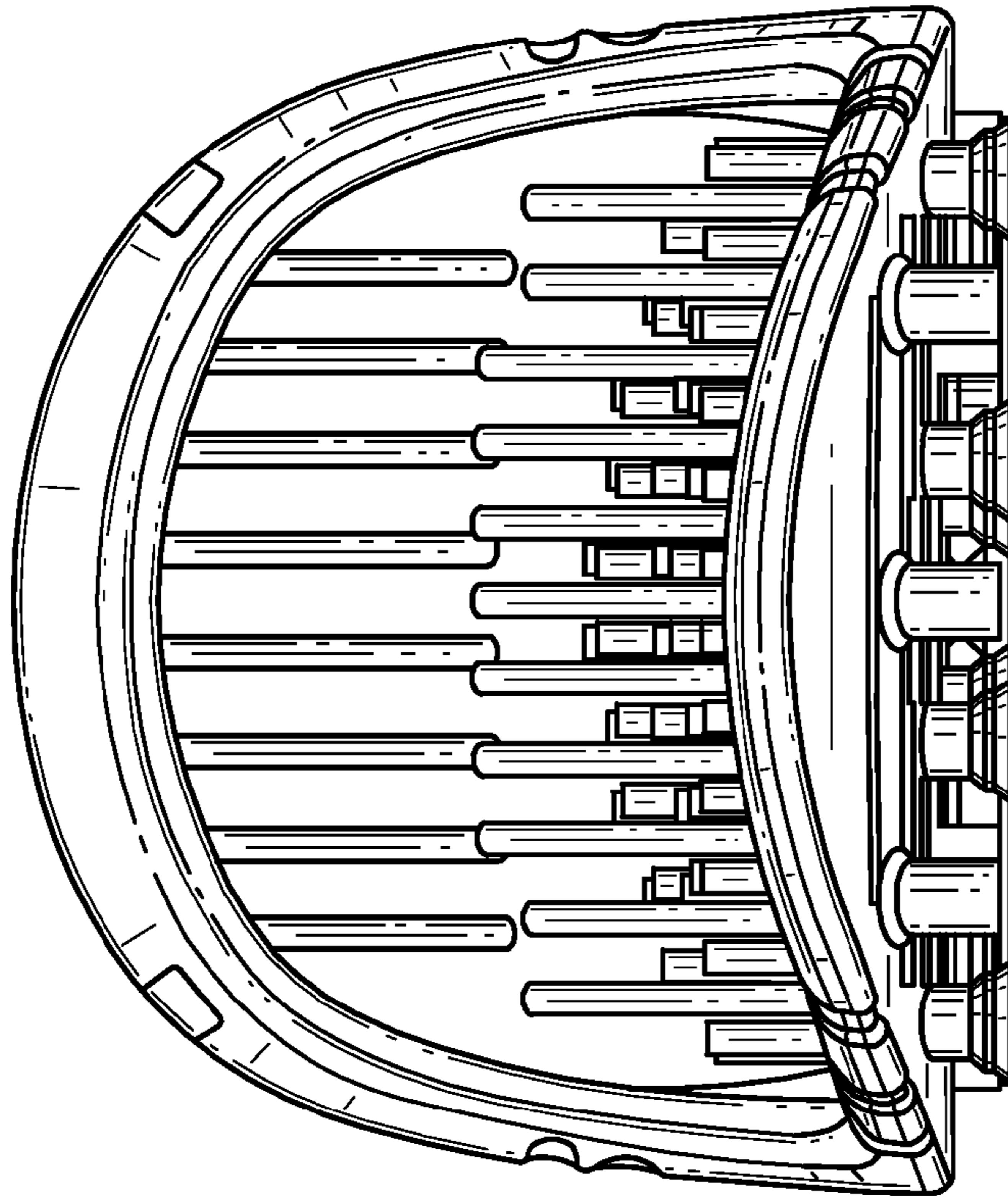


FIG. 5

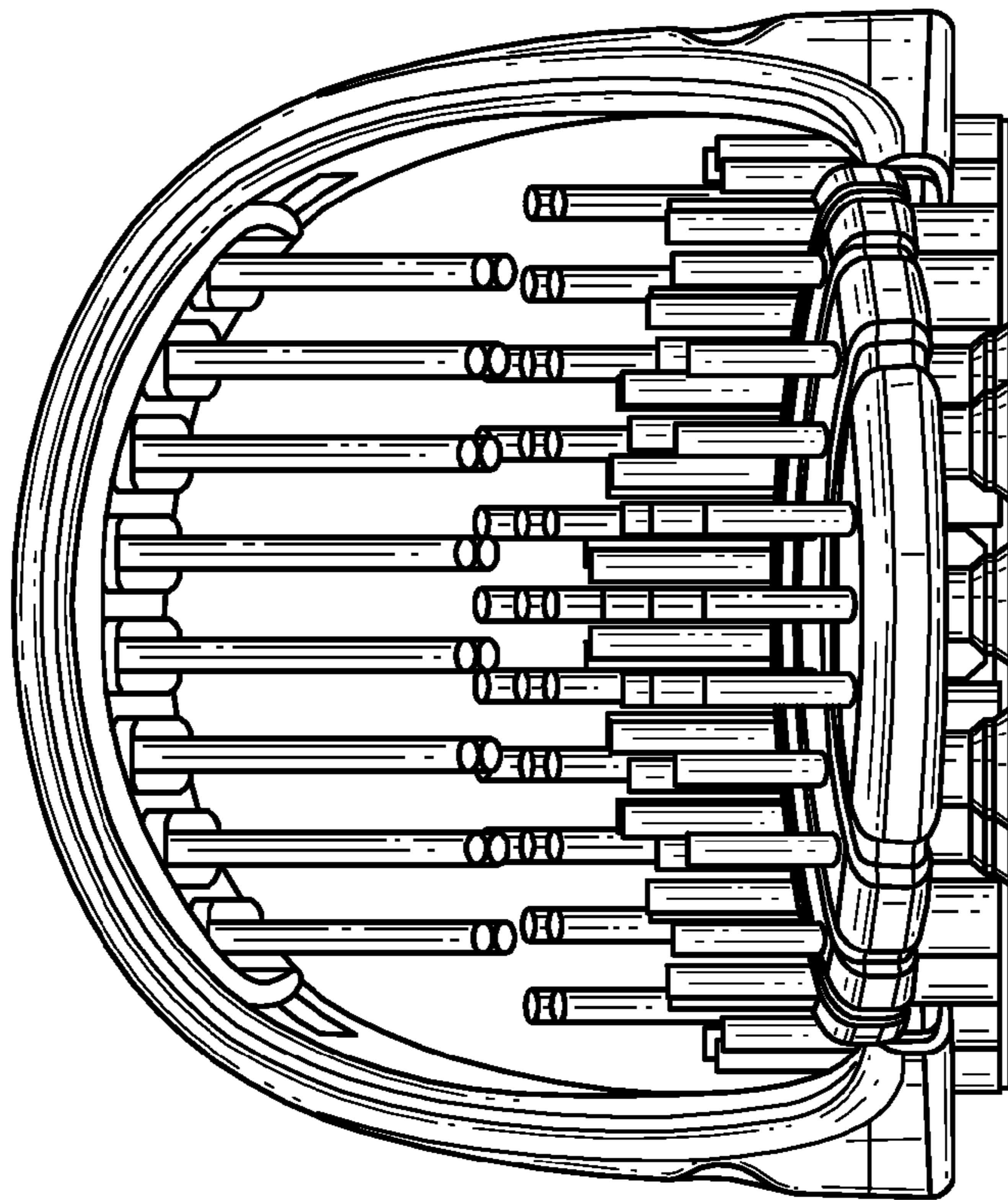


FIG. 3

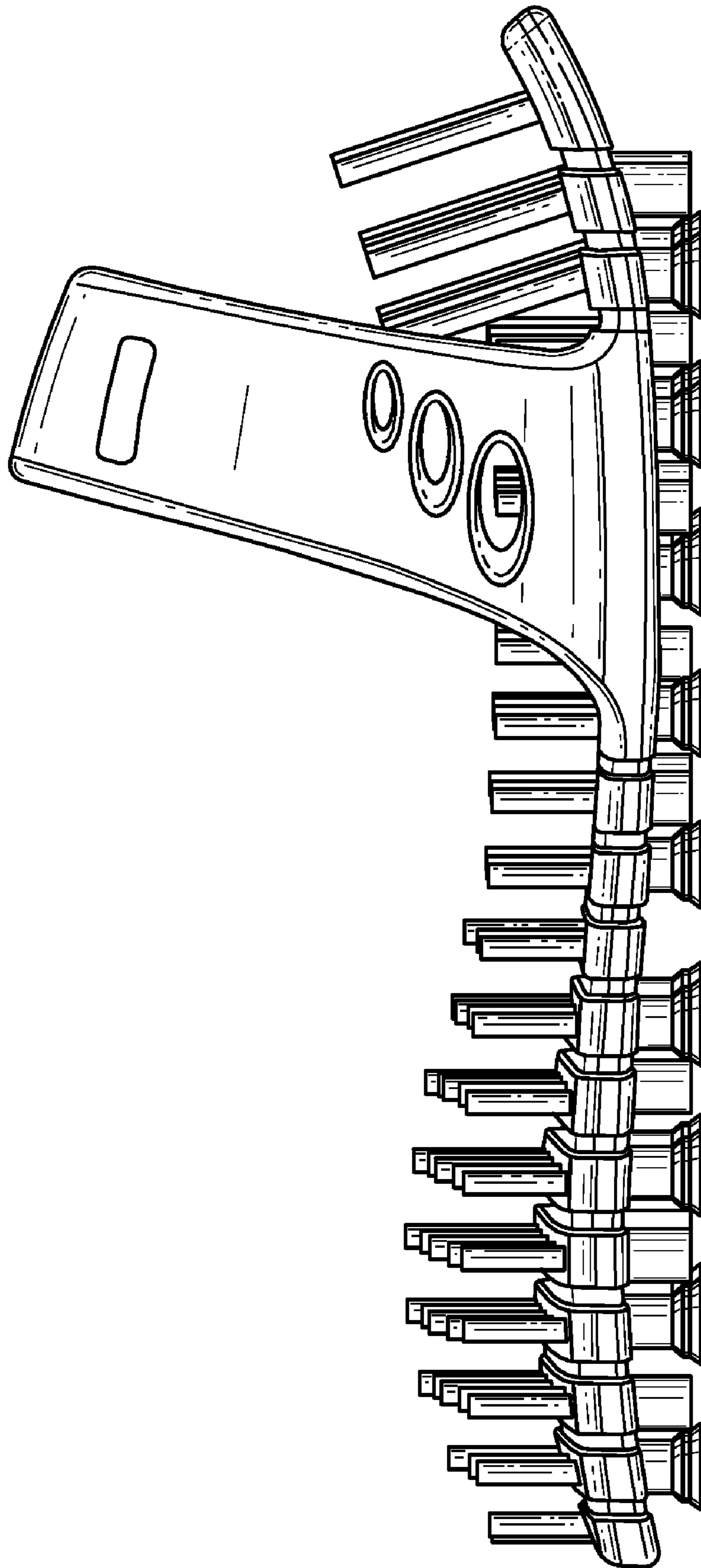


FIG. 4

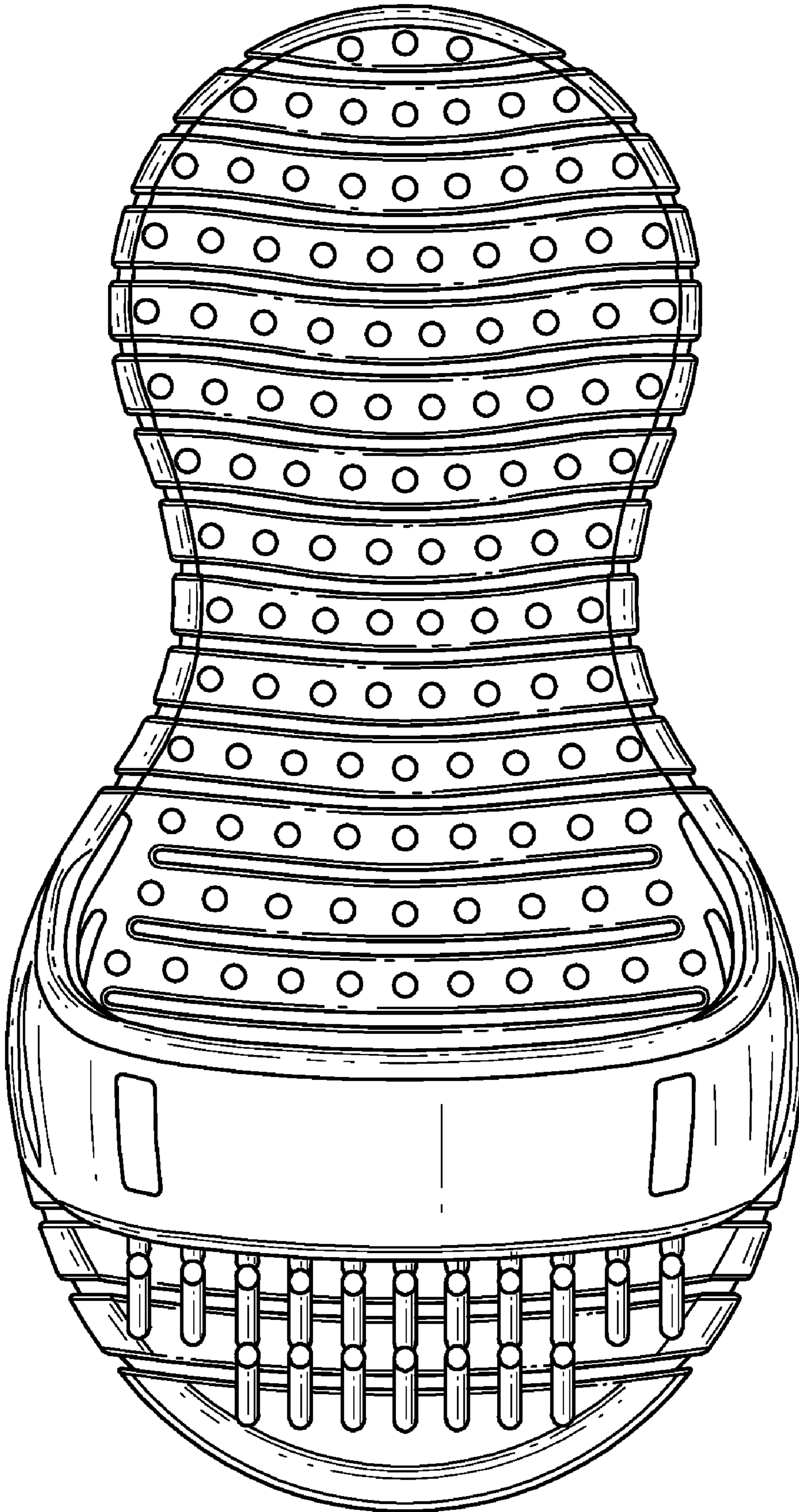


FIG. 6

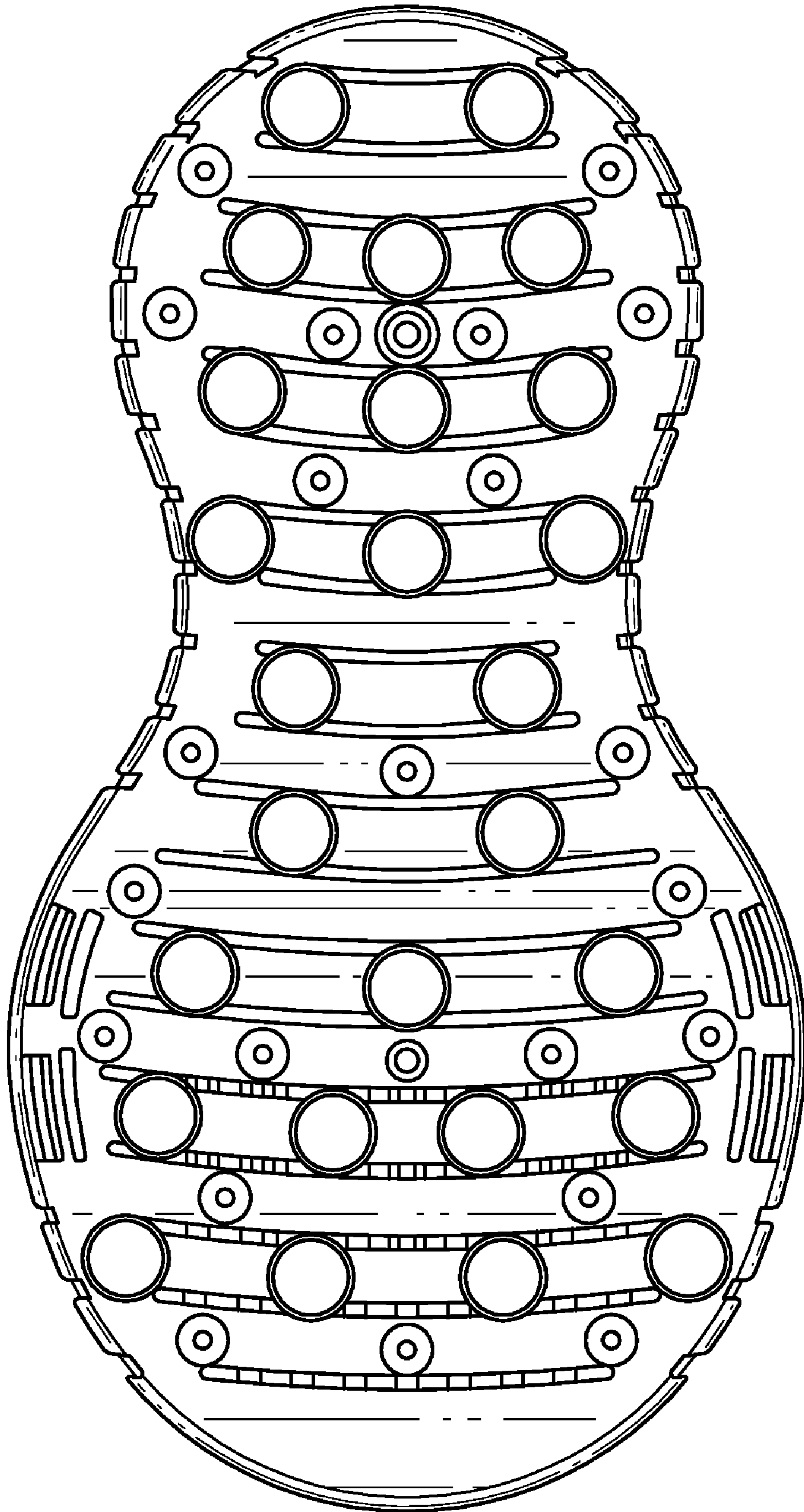


FIG. 7