



US00D595897S

(12) **United States Design Patent**
Moldauer et al.

(10) **Patent No.:** **US D595,897 S**
(45) **Date of Patent:** **** Jul. 7, 2009**

(54) **TOE STRETCHER**
(75) Inventors: **John Moldauer**, Hoboken, NJ (US);
Paul Lacotta, Tenafly, NJ (US); **Michael**
Cyrson, Leverkusen (DE)
(73) Assignee: **Telebrands Corp.**, Fairfield, NJ (US)
(**) Term: **14 Years**
(21) Appl. No.: **29/308,754**
(22) Filed: **Jul. 3, 2008**

2007/0027011 A1* 2/2007 Ferri 482/148
2008/0113854 A1 5/2008 Ferri
2009/0093345 A1* 4/2009 Findeisen 482/148

FOREIGN PATENT DOCUMENTS

DE 276558 9/1913
FR 1095213 5/1955
GB 246375 1/1926
GB 365572 7/1930
GB 525059 8/1940
JP 1250257 10/1989
WO WO 9504512 2/1995

(51) **LOC (9) Cl.** **28-03**
(52) **U.S. Cl.** **D28/56**
(58) **Field of Classification Search** D28/56-57,
D28/62; 602/30; 132/73-76.5; D24/192;
482/148

OTHER PUBLICATIONS

“Yoga Toes”, 1 page, <<http://www.yogapro.com>>, 2008.
“Ms. Pedicure Toe Separator”, 1 page, <<http://store.facevaluesonline.com>>, 2008.
“Genki-kun One Step”, 7 pages, <<http://www.dr-1.co.jp>>, 2008.
“Genki-kun Toe Stretcher”, 12 pages, <<http://www.dr-1.co.jp>>, 2008.
“Toe Stretchers Strengthening Premium Toe Trainers”, 7 pages, <<http://www.healiohealth.com>>. 2008.
“Toe Flexers (C7315)”, 1 page, <www.harrietcarter.com>, 2008.

See application file for complete search history.

(56) **References Cited**

U.S. PATENT DOCUMENTS

2,266,859 A 12/1941 Grampp
2,286,089 A 6/1942 Harris
2,546,118 A * 3/1951 Wright 132/73
3,623,481 A 11/1971 Curran
5,039,093 A 8/1991 Collier
5,062,625 A 11/1991 Vonk
5,076,263 A 12/1991 Funatogawa
5,136,911 A 8/1992 Wyss
D335,299 S * 5/1993 Guidry D21/684
5,374,226 A 12/1994 Graham
5,466,202 A 11/1995 Stern
5,723,785 A 3/1998 Manning
D415,858 S * 10/1999 Funatogawa D28/56
D428,673 S * 7/2000 Ikeda D28/57
D439,704 S 3/2001 Ikeda
6,228,001 B1 5/2001 Johnson et al.
D459,547 S * 6/2002 Wada et al. D28/56
6,481,443 B1 11/2002 Moore-Johnson et al.
D481,828 S 11/2003 Goldberg et al.
6,748,604 B2 6/2004 Duboff et al.
6,817,967 B1 11/2004 Ott et al.
6,941,954 B1 9/2005 Belcher
7,131,939 B2 11/2006 Ferri
D556,381 S * 11/2007 Kennedy D28/57
7,322,915 B2 1/2008 Ferri
2006/0243291 A1* 11/2006 Daley 132/73

* cited by examiner

Primary Examiner—Jennifer Rivard
(74) *Attorney, Agent, or Firm*—Cooper & Dunham LLP

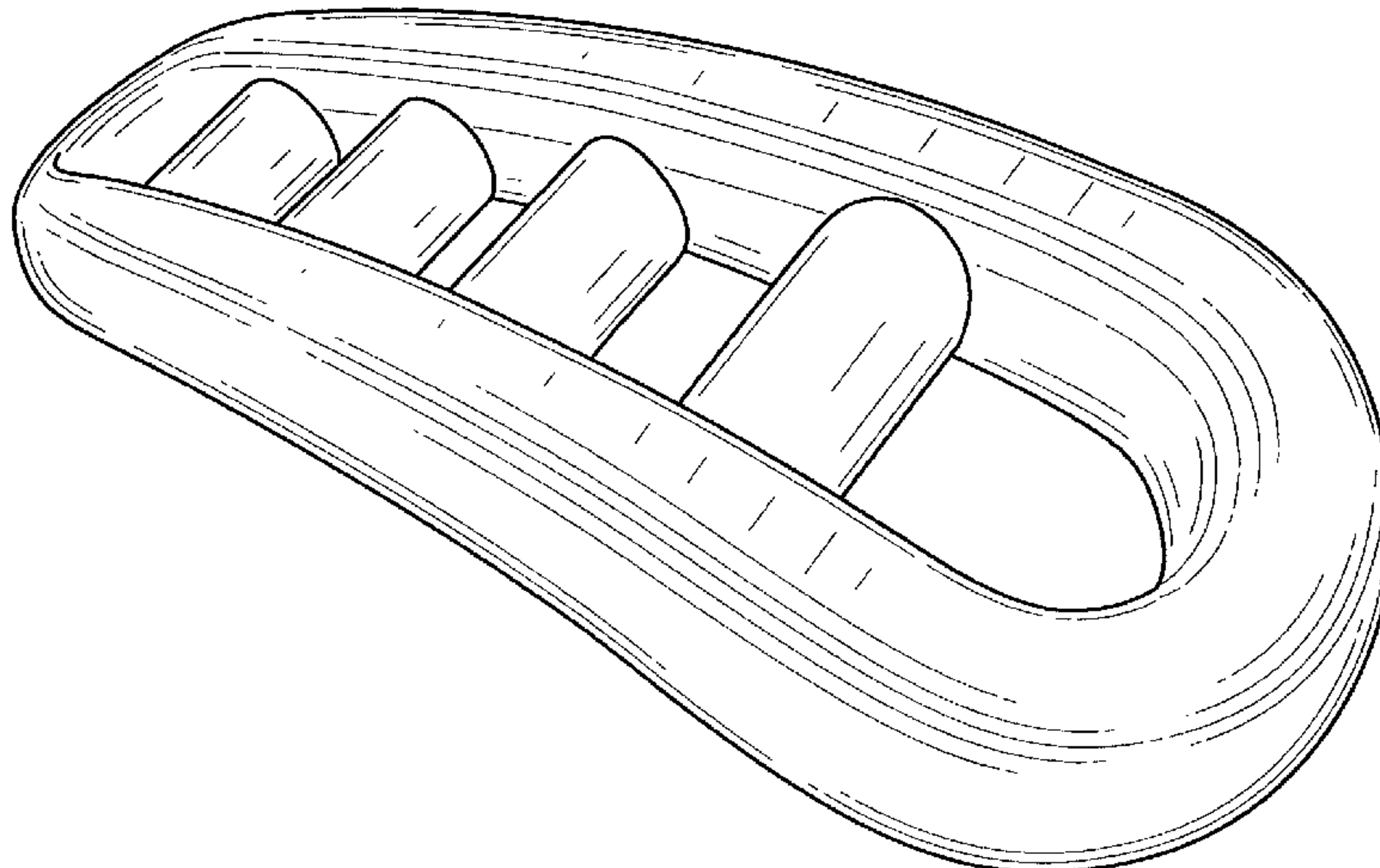
(57) **CLAIM**

The ornamental design for a toe stretcher, as shown and described.

DESCRIPTION

FIG. 1 is a perspective view thereof;
FIG. 2 is the first side view thereof;
FIG. 3 is the second side view thereof;
FIG. 4 is a top view thereof;
FIG. 5 is a bottom view thereof;
FIG. 6 is a back view thereof; and,
FIG. 7 is a front view thereof.

1 Claim, 7 Drawing Sheets



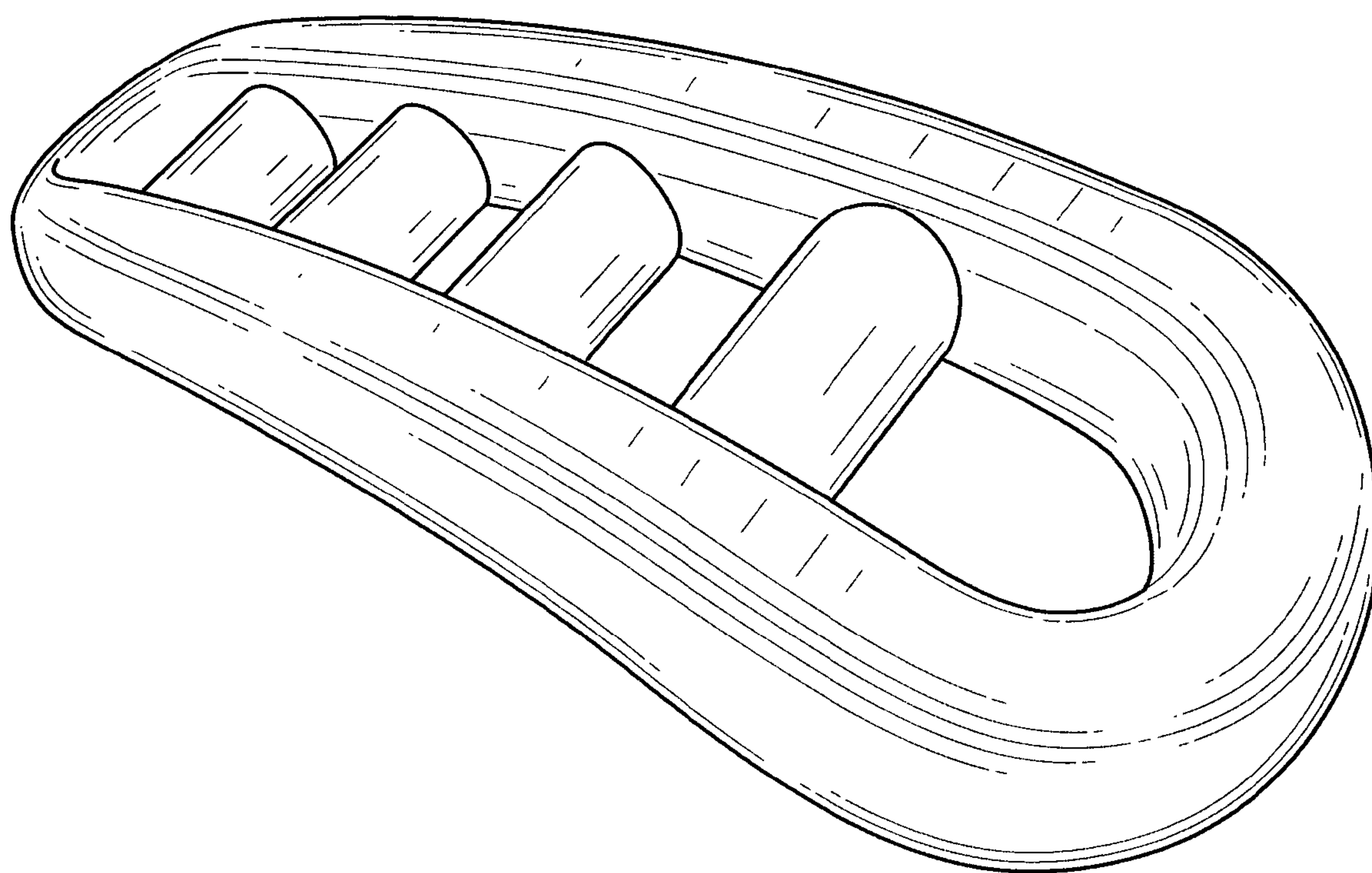


FIG. 1

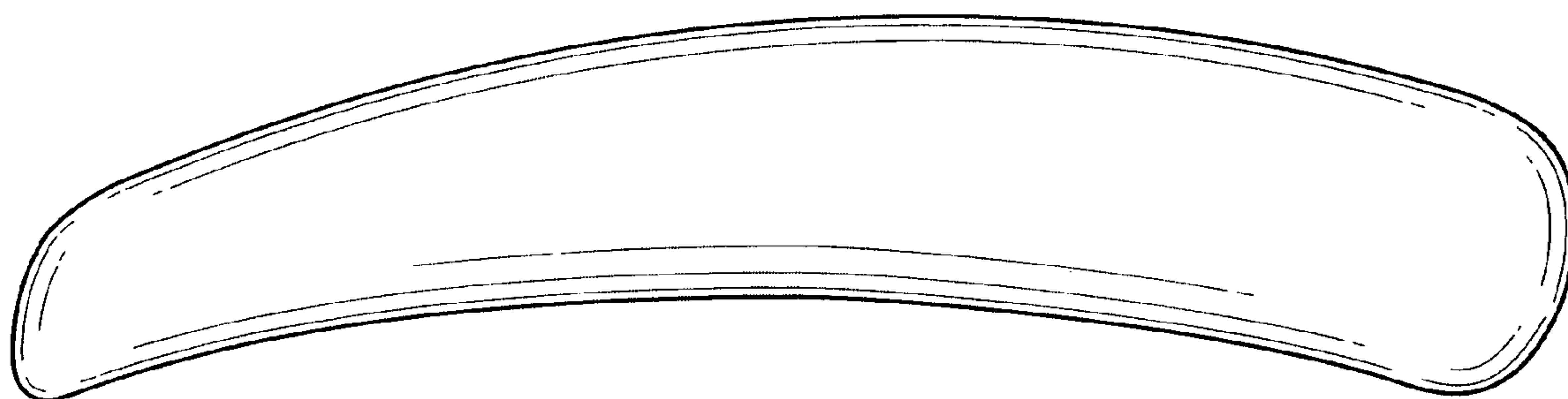


FIG. 2

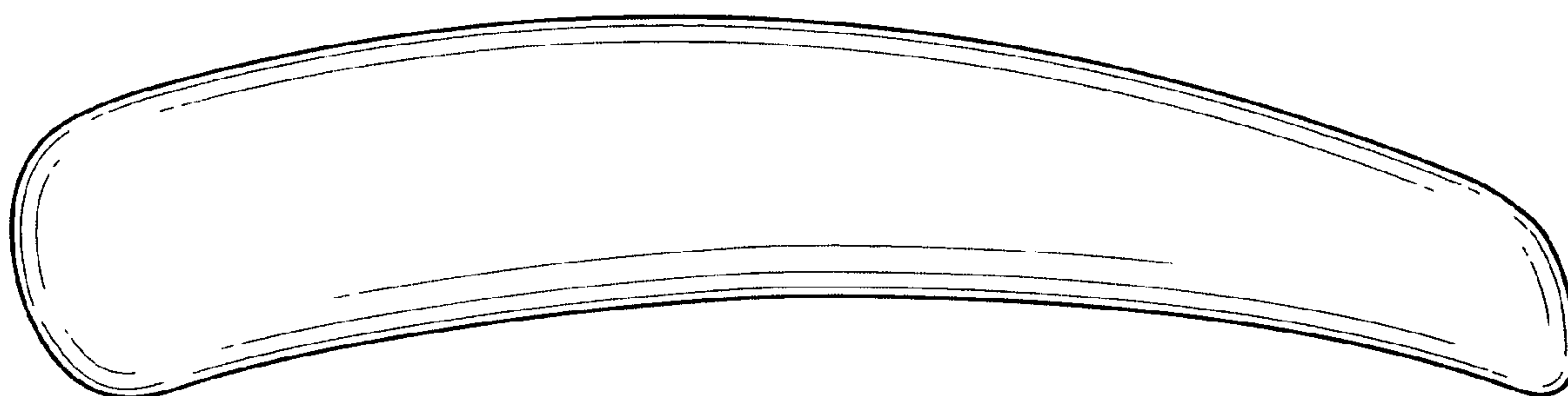


FIG. 3

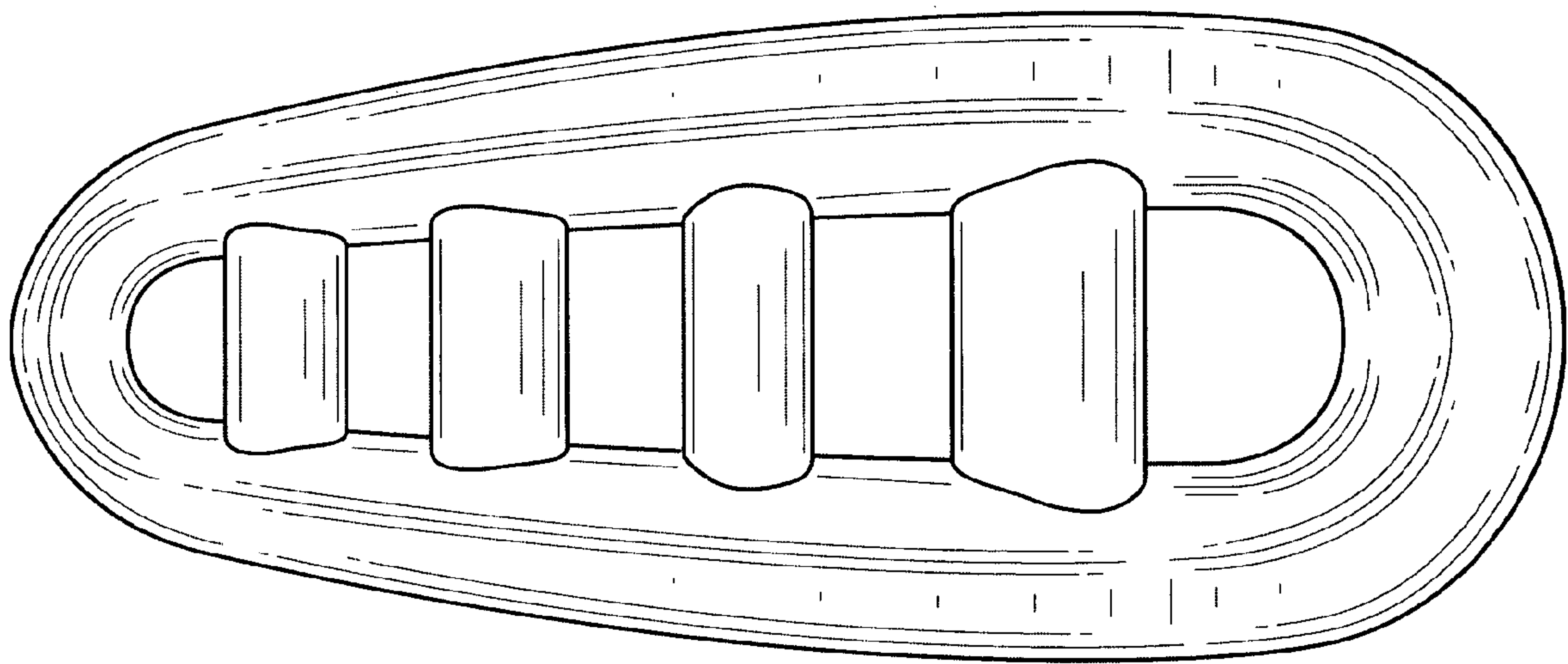


FIG. 4

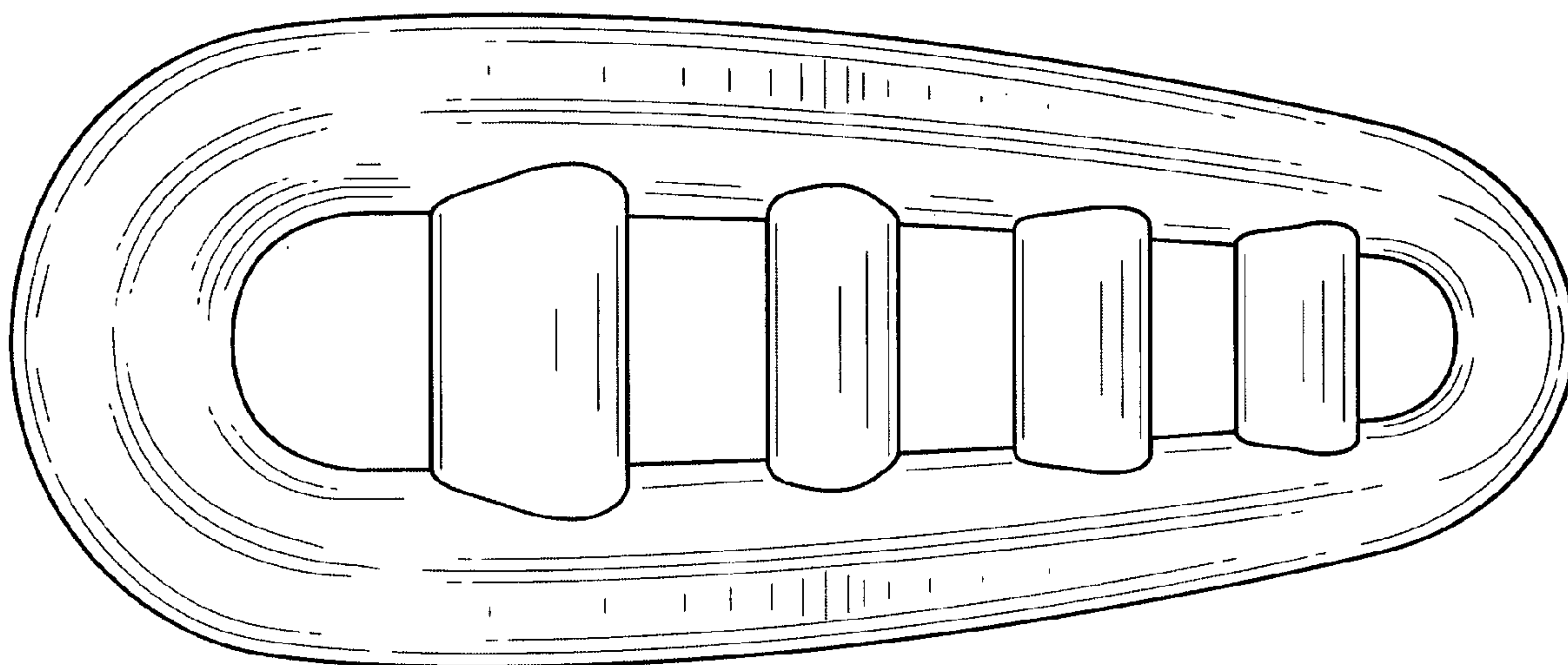


FIG. 5

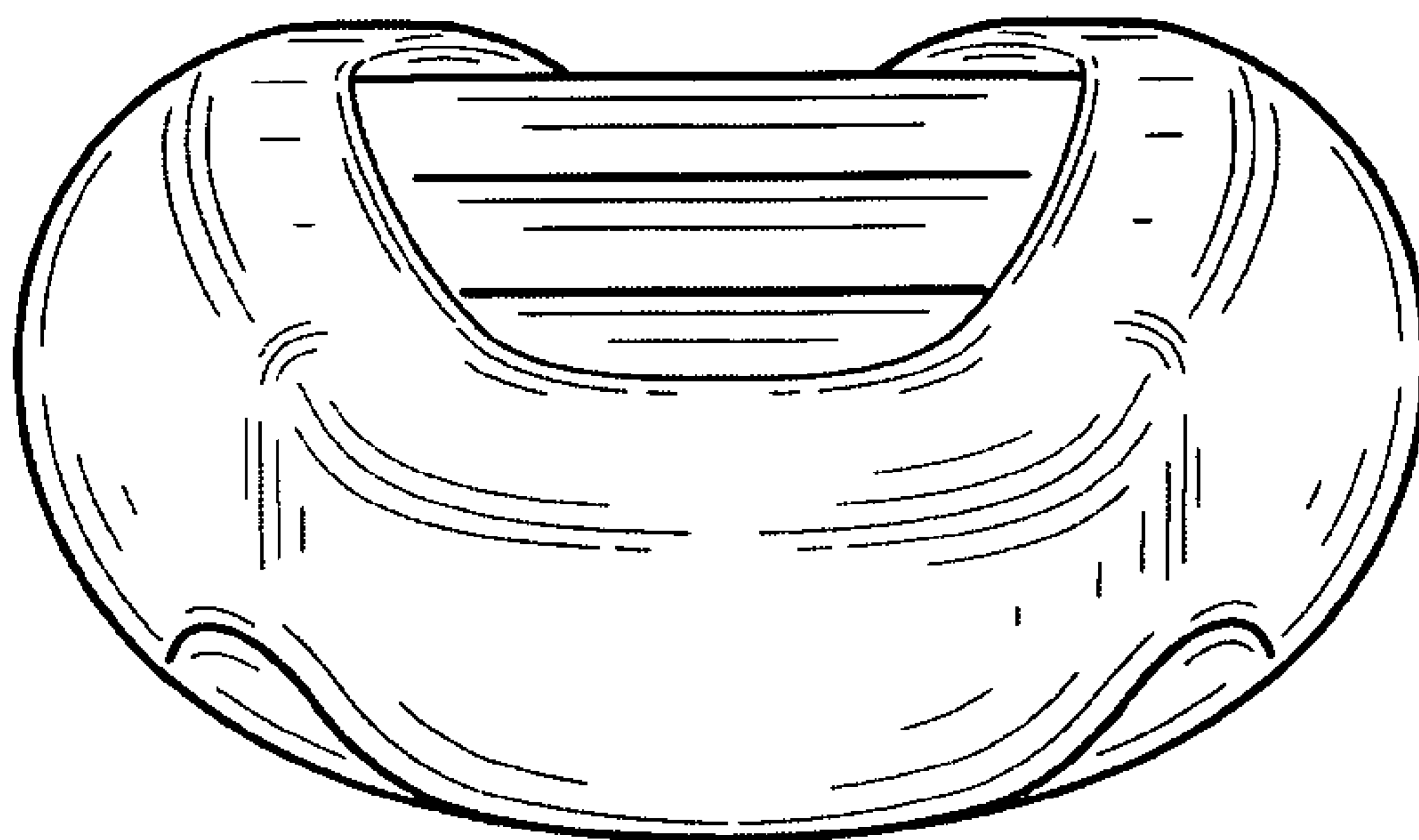


FIG. 6

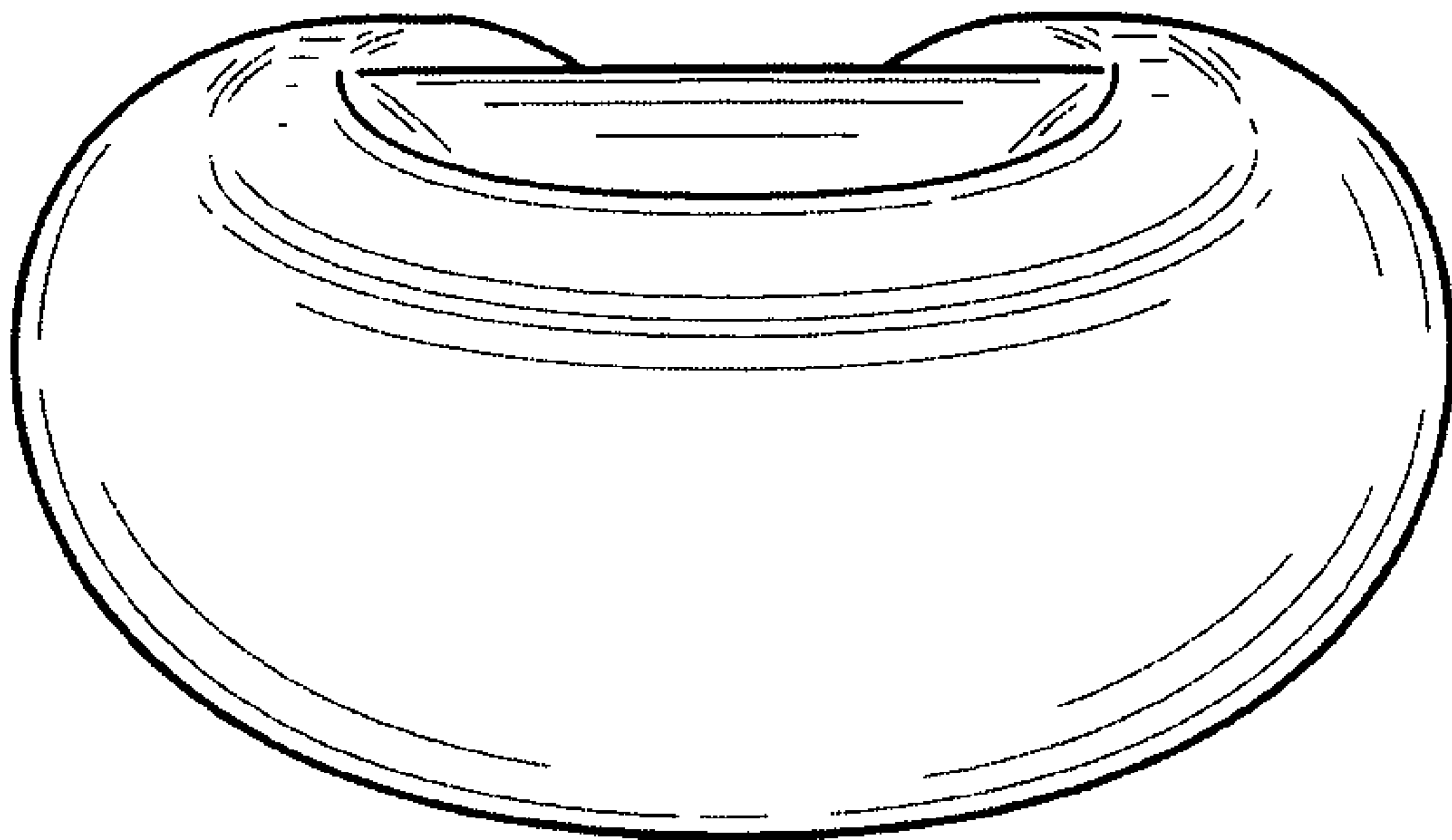


FIG. 7