



US00D595896S

(12) **United States Design Patent**  
**Boyer et al.**

(10) **Patent No.:** **US D595,896 S**  
(45) **Date of Patent:** **\*\* Jul. 7, 2009**

(54) **LIGHTING FIXTURE**

(75) Inventors: **John D. Boyer**, Lebanon, OH (US);  
**Brian D. Cranston**, Loveland, OH (US);  
**James G. Vanden Eynden**, Hamilton,  
OH (US)

(73) Assignee: **LSI Industries, Inc.**, Cincinnati, OH  
(US)

(\*\*) Term: **14 Years**

(21) Appl. No.: **29/325,602**

(22) Filed: **Oct. 3, 2008**

(51) **LOC (9) Cl.** ..... **26-99**

(52) **U.S. Cl.** ..... **D26/152**

(58) **Field of Classification Search** ..... 119/233,  
119/266, 267, 269, 256, 257; D26/85, 118,  
D26/87, 86, 128, 74, 138, 60, 72, 75, 113,  
D26/120, 129, 140, 141, 142, 152, 153, 154,  
D26/155, 143, 144, 81, 110, 111, 119, 93,  
D26/94, 102, 105, 106, 107, 109, 130, 149,  
D26/150, 151, 76, 77, 80, 88, 90, 71, 68,  
D26/145, 67, 89, 24, 135, 61, 73, 133, 134,  
D26/148; D8/381; D10/118; D13/179,  
D13/180; D34/1; D5/1, 2, 41; D14/374,  
D14/126, 380, 375, 382; 362/148, 364, 365,  
362/606, 612, 576, 405, 101, 366, 581, 121,  
362/125, 147, 217, 257, 317, 330, 351, 356,  
362/363, 396, 404; D6/310, 300, 301, 302,  
D6/308, 313, 314; D11/131, 141; 257/98,  
257/99; 40/714, 715, 716; 433/29, 30, 28,  
433/31, 126; D24/128, 176, 177; 349/58,  
349/65; D20/41, 42, 43

See application file for complete search history.

(56) **References Cited**

**U.S. PATENT DOCUMENTS**

2,144,551 A \* 1/1939 Skolnick ..... 119/257  
2,701,840 A \* 2/1955 Carlson ..... 362/368  
2,717,955 A \* 9/1955 McGinty et al. .... 362/147  
2,997,575 A \* 8/1961 Schwartz ..... 362/364

D209,081 S \* 10/1967 Netland ..... D26/71  
D212,899 S \* 12/1968 Vesely et al. .... D26/24  
D258,919 S \* 4/1981 Kristofek ..... D26/142  
4,353,327 A \* 10/1982 Shroyer ..... 119/257  
D272,475 S \* 1/1984 Yahraus ..... D26/24  
4,794,714 A \* 1/1989 Weisgerber ..... 40/768  
4,827,386 A \* 5/1989 Mackiewicz ..... 362/267  
D308,423 S \* 6/1990 Galipeau et al. .... D26/67

(Continued)

**OTHER PUBLICATIONS**

<http://www.lsi-industries.com/media/SpecSheets/pdf/sovereign.pdf>, LSI Industries, 2 pp, 2007.

*Primary Examiner*—Cathron C Brooks  
*Assistant Examiner*—Kevin K Rudzinski

(74) *Attorney, Agent, or Firm*—McDermott Will & Emery  
LLP

(57) **CLAIM**

The ornamental design for lighting fixture, as shown and described.

**DESCRIPTION**

FIG. 1 is a perspective view of the lighting fixture of the present disclosure;

FIG. 2 is a bottom view thereof;

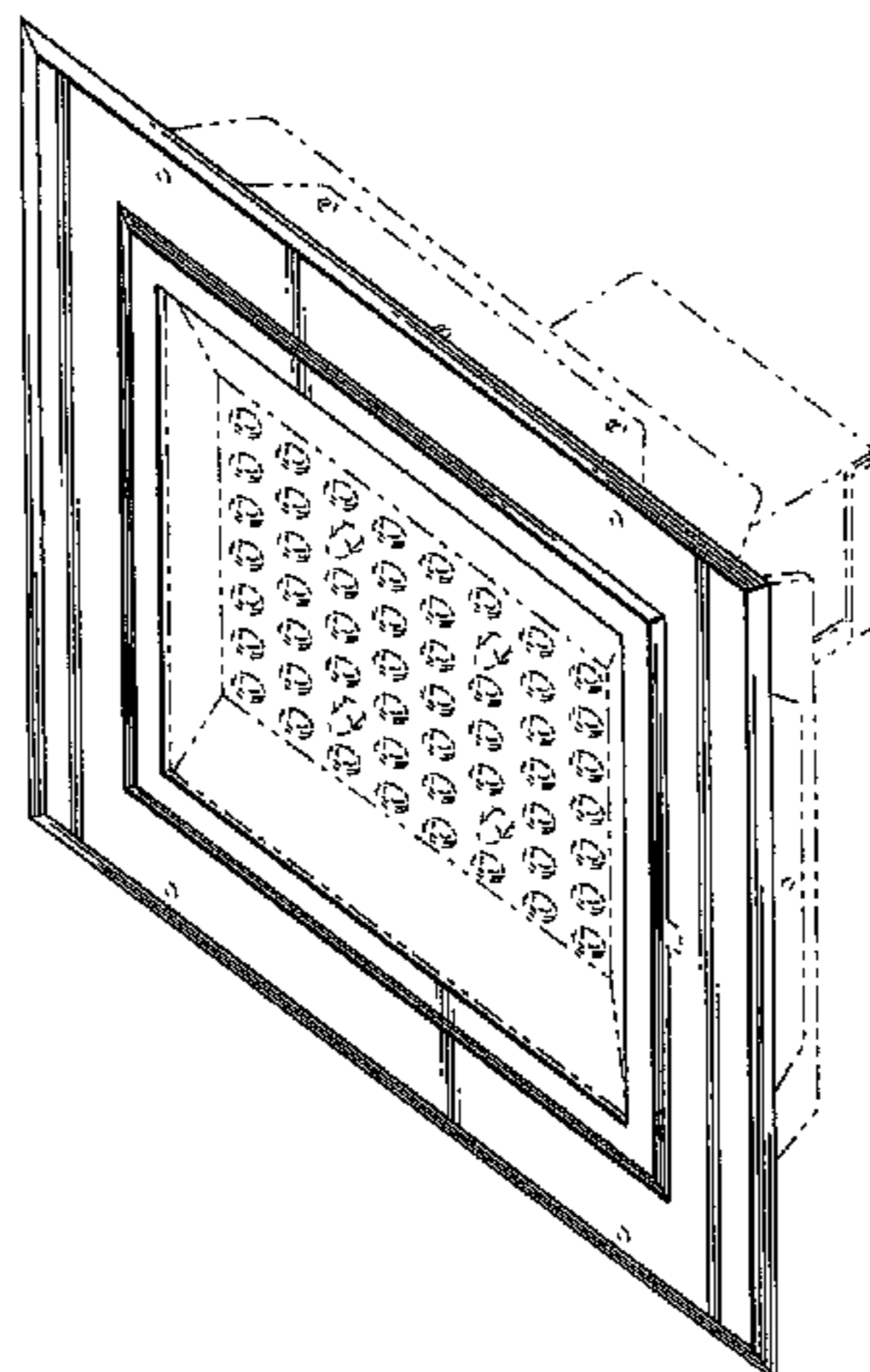
FIG. 3 is a front view thereof; the back view being the same;

FIG. 4 is a right side view of thereof; the left side view being the same; and,

FIG. 5 is a top view of thereof.

Those portions of the present invention which are presented in phantom illustrate the environment of the design only and form no part of the claimed design. Moreover, the shading presented in the accompanying drawings is provided merely to highlight the contour of the invention and is not intended to be illustrative of texture or gloss.

**1 Claim, 4 Drawing Sheets**



# US D595,896 S

Page 2

---

## U.S. PATENT DOCUMENTS

4,939,858	A *	7/1990	Dailey	.....	40/732	6,179,451	B1 *	1/2001	Bodine et al.	.....	362/404
4,951,045	A *	8/1990	Knapp et al.	.....	340/944	D441,223	S *	5/2001	Reeves et al.	.....	D6/470
D311,825	S *	11/1990	Stewart et al.	.....	D6/310	D445,262	S *	7/2001	Rowan	.....	D6/300
D329,239	S *	9/1992	Hahn	.....	D14/219	D456,620	S *	5/2002	Vincent	.....	D6/301
D341,358	S *	11/1993	Stolz et al.	.....	D14/380	D458,238	S *	6/2002	Niitsu	.....	D14/126
D363,709	S *	10/1995	Matsumoto	.....	D14/374	6,536,658	B1 *	3/2003	Rantze	.....	235/375
5,486,983	A *	1/1996	Cordier et al.	.....	362/29	6,626,562	B2 *	9/2003	Blanchard	.....	362/346
5,555,654	A *	9/1996	Hermann	.....	40/714	6,915,762	B2 *	7/2005	Hsieh et al.	.....	119/257
D383,613	S *	9/1997	Handler	.....	D6/300	D524,555	S *	7/2006	Mohundro	.....	D6/300
D433,573	S *	11/2000	Rochon	.....	D6/308	7,146,760	B2 *	12/2006	Yiu	.....	40/743
						D558,382	S *	12/2007	Cesaro	.....	D26/86

\* cited by examiner

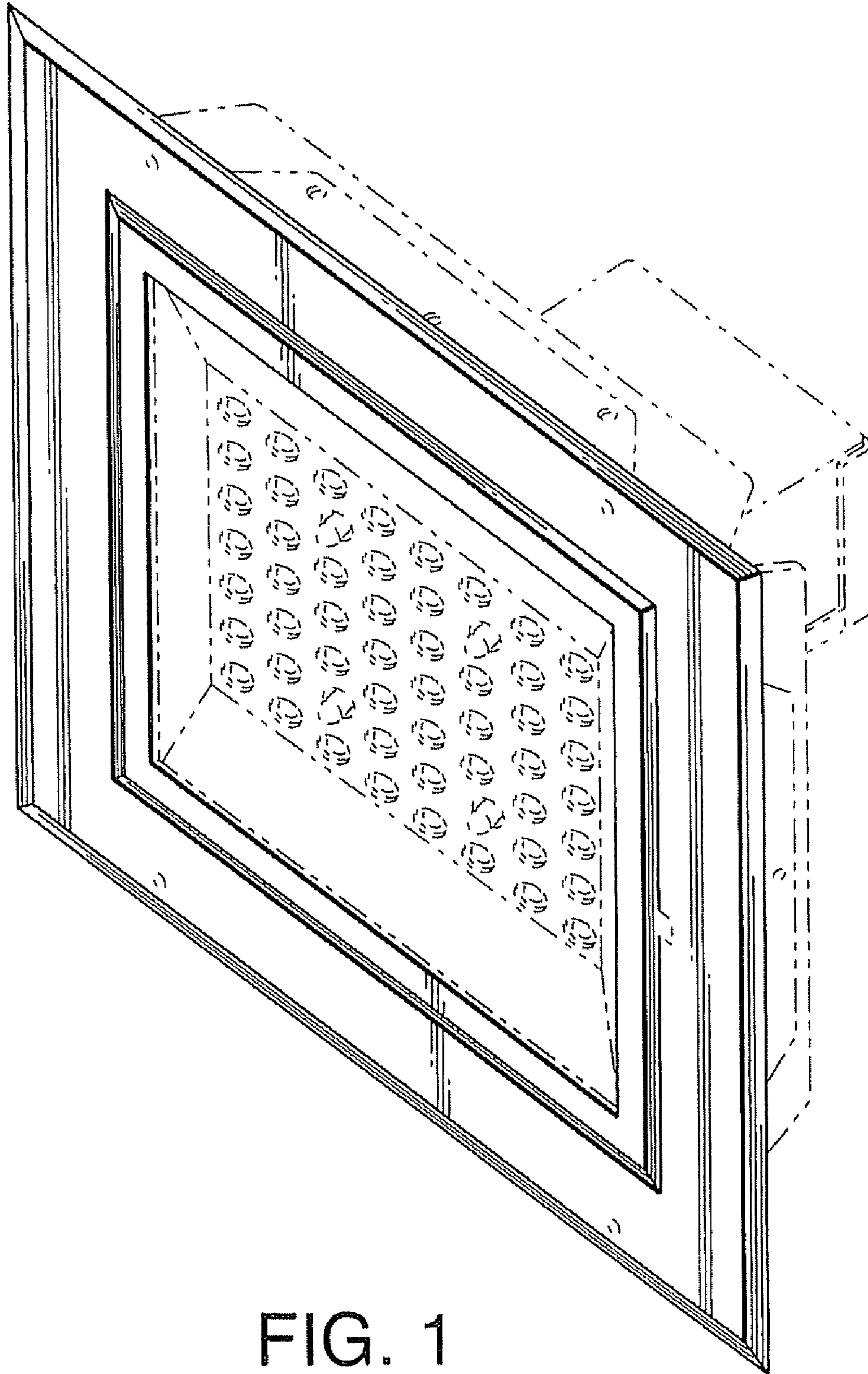


FIG. 1



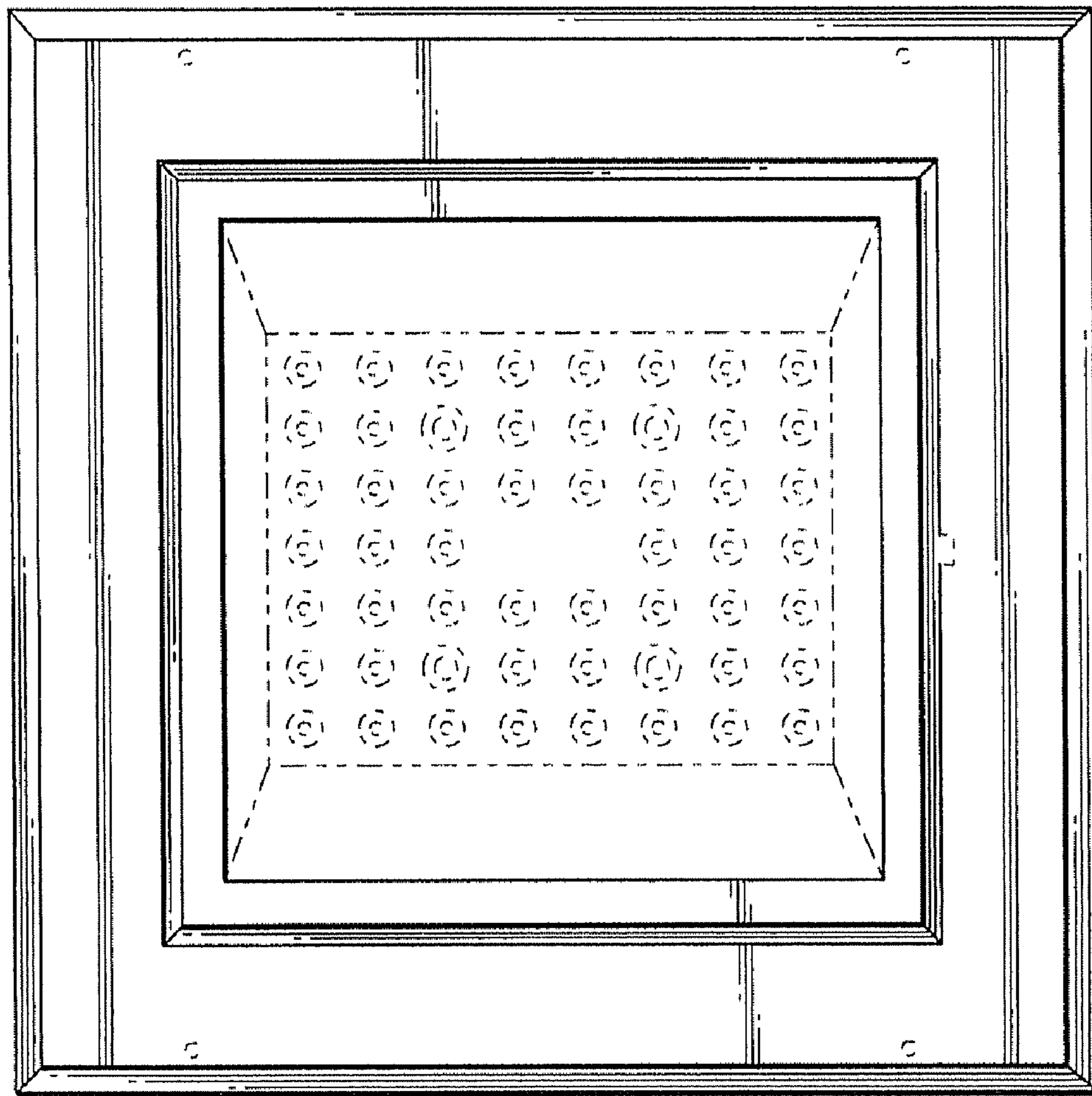


FIG. 2

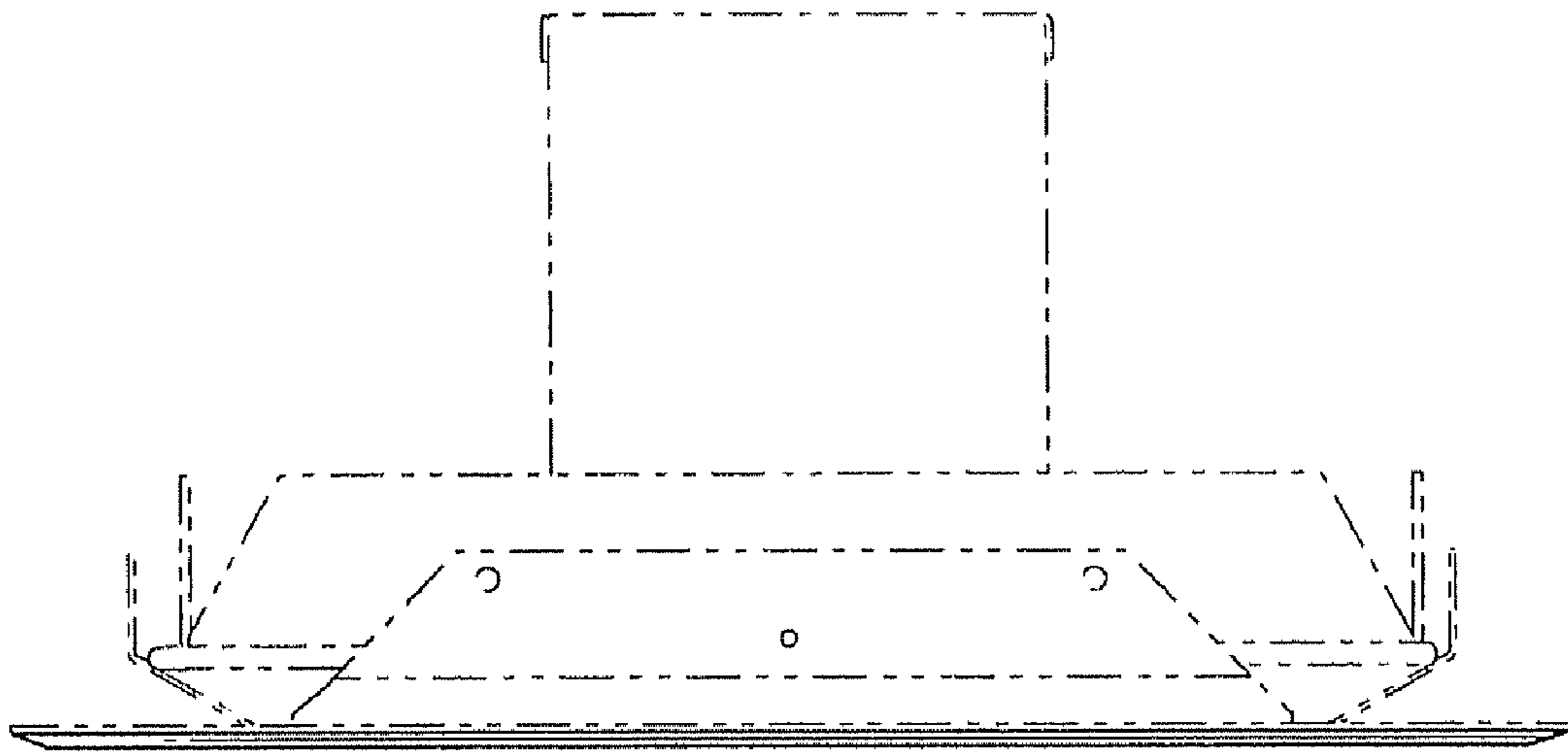


FIG. 3

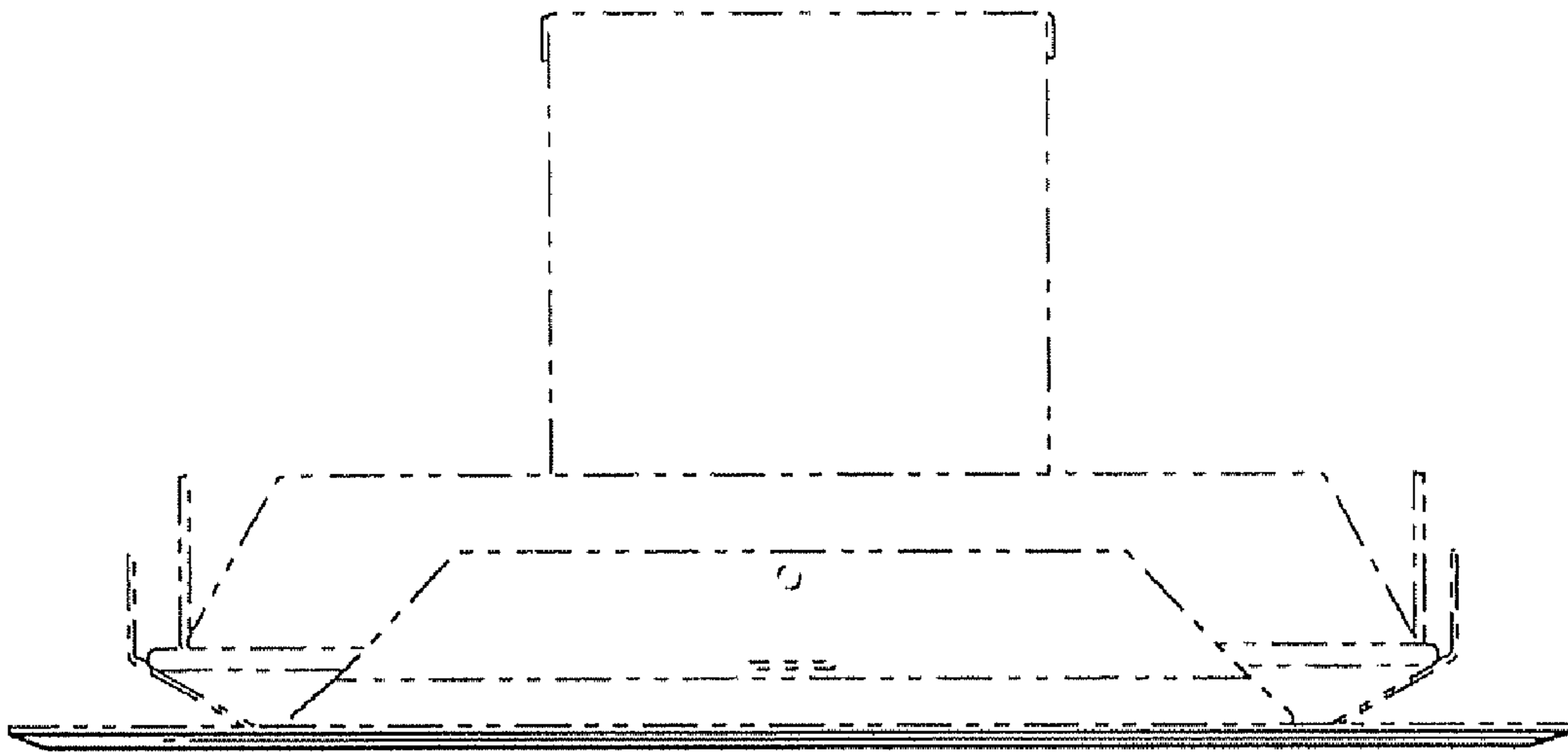


FIG. 4

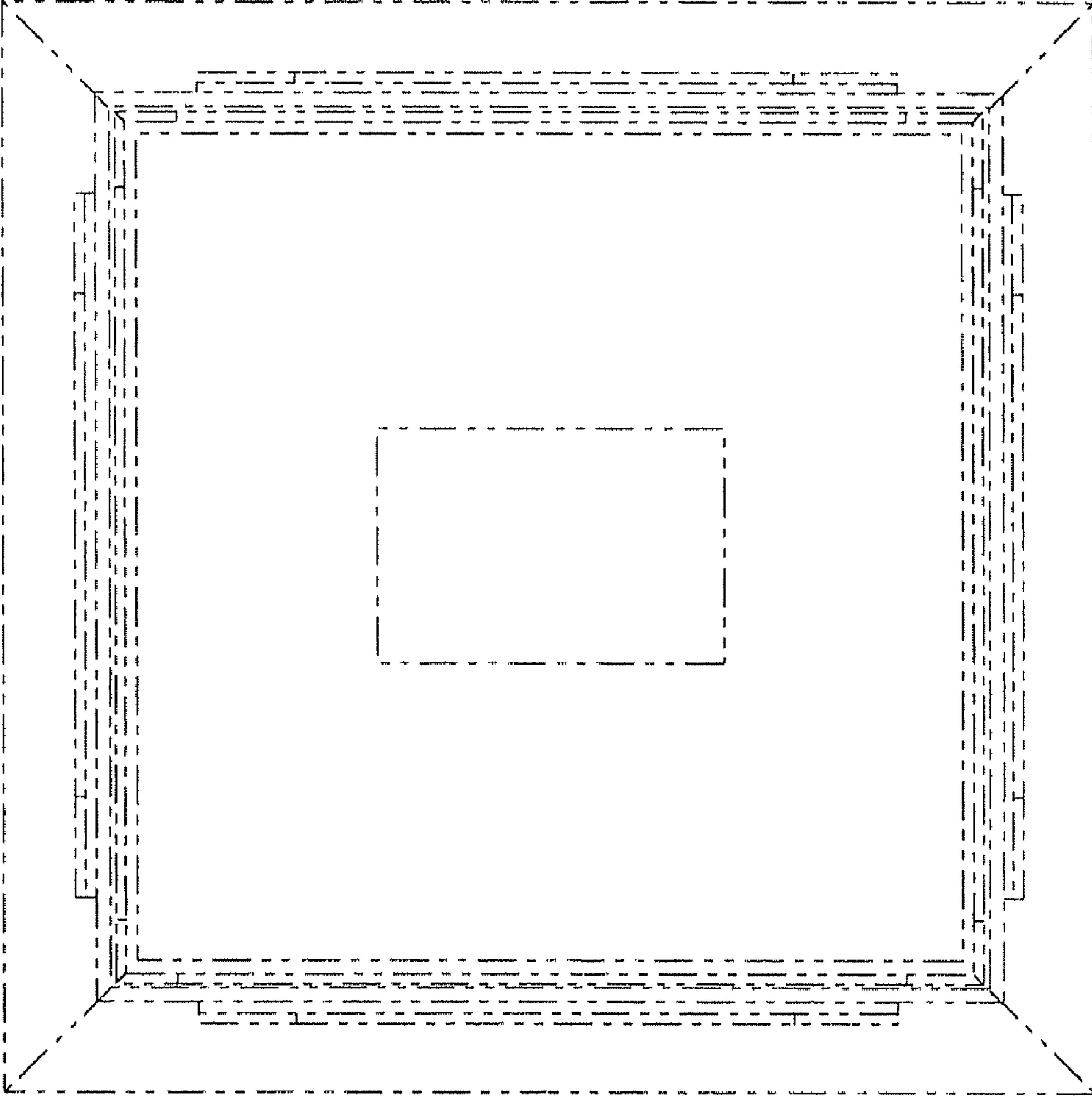


FIG. 5