

US00D595894S

(12) **United States Design Patent**
Verfuерth et al.

(10) **Patent No.:** **US D595,894 S**
(45) **Date of Patent:** **** Jul. 7, 2009**

(54) **REFLECTOR FOR A LIGHTING APPARATUS**

(75) Inventors: **Neal R. Verfuерth**, Plymouth, WI (US);
Donald C. Heimerman, Random Lake,
WI (US); **Kenneth J. Wetenkamp**,
Plymouth, WI (US)

(73) Assignee: **Orion Energy Systems, Inc.**, Plymouth,
WI (US)

(**) Term: **14 Years**

(21) Appl. No.: **29/320,064**

(22) Filed: **Jun. 19, 2008**

(51) **LOC (9) Cl.** **26-99**

(52) **U.S. Cl.** **D26/122**

(58) **Field of Classification Search** D26/142,
D26/149, 150, 151, 152, 119, 121, 128, 129,
D26/130, 140, 141, 76, 120, 122, 118, 113,
D26/138, 74, 77, 60, 75, 78, 80, 81, 82, 83,
D26/85, 86, 88, 89, 90, 26, 35; 362/342,
362/600, 601, 605, 606, 607, 608, 632, 633,
362/558, 572, 573, 576, 145, 147, 217.01,
362/218, 219, 222, 223, 224, 225, 217.02–217.05,
362/217.08, 217.09, 217.1, 217.11, 217.14,
362/217.15, 246, 248, 279, 290, 325, 354,
362/355, 364, 366; D6/580, 300, 492, 579;
D25/103, 124, 122, 123, 125, 106, 109, 110,
D25/138

See application file for complete search history.

(56) **References Cited**

U.S. PATENT DOCUMENTS

2,219,383	A *	10/1940	Dillon	362/219
D180,611	S *	7/1957	McPhail	D26/122
4,363,082	A *	12/1982	Roland	362/148
4,499,529	A *	2/1985	Figueroa	362/283
4,674,016	A *	6/1987	Gallagher	362/240
D314,637	S *	2/1991	Holcomb	D26/120
5,988,829	A *	11/1999	Holder	362/223
D426,338	S *	6/2000	Herst et al.	D26/75
6,210,019	B1	4/2001	Weathers	

6,257,735	B1	7/2001	Baar
D447,266	S	8/2001	Verfuерth
D463,059	S	9/2002	Verfuерth
6,467,933	B2	10/2002	Baar
6,585,396	B1	7/2003	Verfuерth
6,758,580	B1	7/2004	Verfuерth

(Continued)

Primary Examiner—Cathron C Brooks
Assistant Examiner—Kevin K Rudzinski
(74) *Attorney, Agent, or Firm*—Foley & Lardner LLP

(57) **CLAIM**

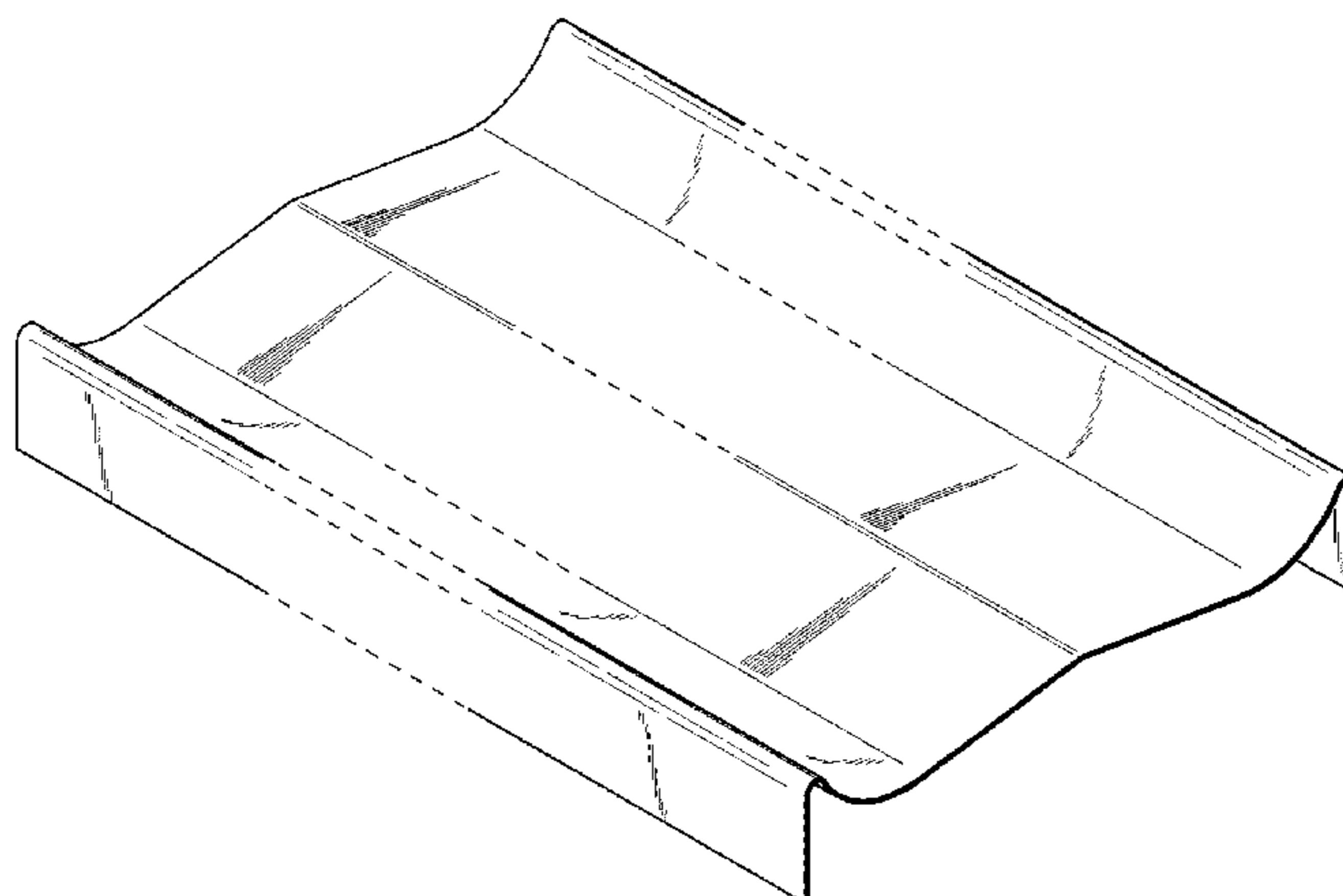
I claim the ornamental design for a reflector for a lighting apparatus, as shown and described.

DESCRIPTION

FIG. 1 is a back perspective view of an embodiment of the claimed design;
FIG. 2 is a front perspective view of FIG. 1;
FIG. 3 is an end view of FIG. 1;
FIG. 4 is a side view of FIG. 1;
FIG. 5 is a back view of FIG. 1;
FIG. 6 is a front view of FIG. 1;
FIG. 7 is a back perspective view of another embodiment of the claimed design;
FIG. 8 is a front perspective view of FIG. 7;
FIG. 9 is an end view of FIG. 7;
FIG. 10 is a side view of FIG. 7;
FIG. 11 is a back view of FIG. 7; and,
FIG. 12 is a front view of FIG. 7.

The ornamental design which is claimed is shown in solid lines in the drawings. The broken lines in the drawings are for illustrative purposes only and form no part of the claimed design.

1 Claim, 6 Drawing Sheets



US D595,894 S

Page 2

U.S. PATENT DOCUMENTS			
		7,261,435 B2 *	8/2007 Gould et al. 362/223
D494,700 S	8/2004 Hartman et al.	2003/0072152 A1 *	4/2003 Southern 362/225
6,964,502 B1	11/2005 Verfuert	2004/0136187 A1 *	7/2004 Plunk et al. 362/225
D538,462 S	3/2007 Verfuert et al.	2008/0007944 A1	1/2008 Verfuert et al.
D544,138 S *	6/2007 Hargreaves D26/118	* cited by examiner	

FIGURE 1

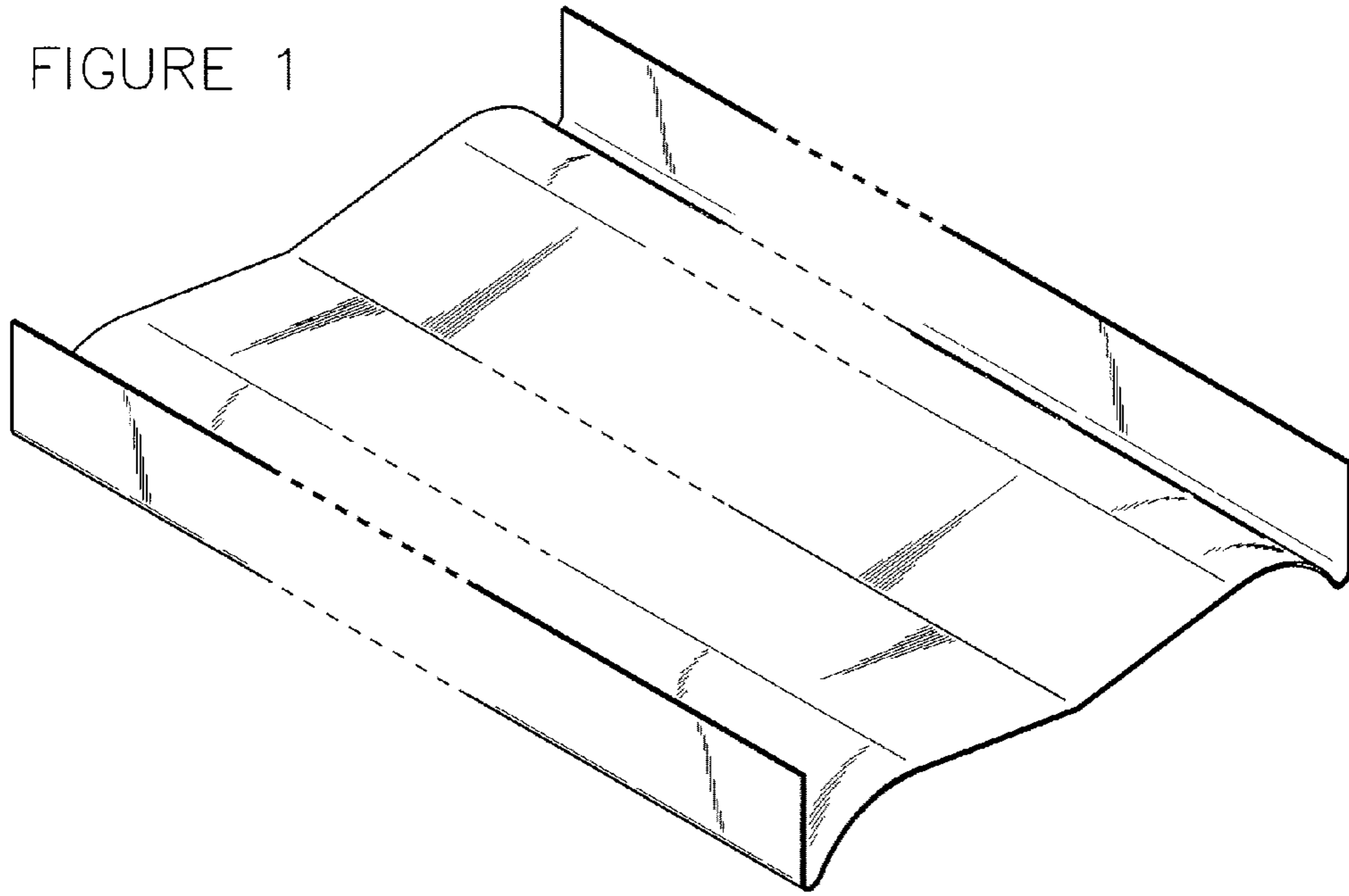


FIGURE 2

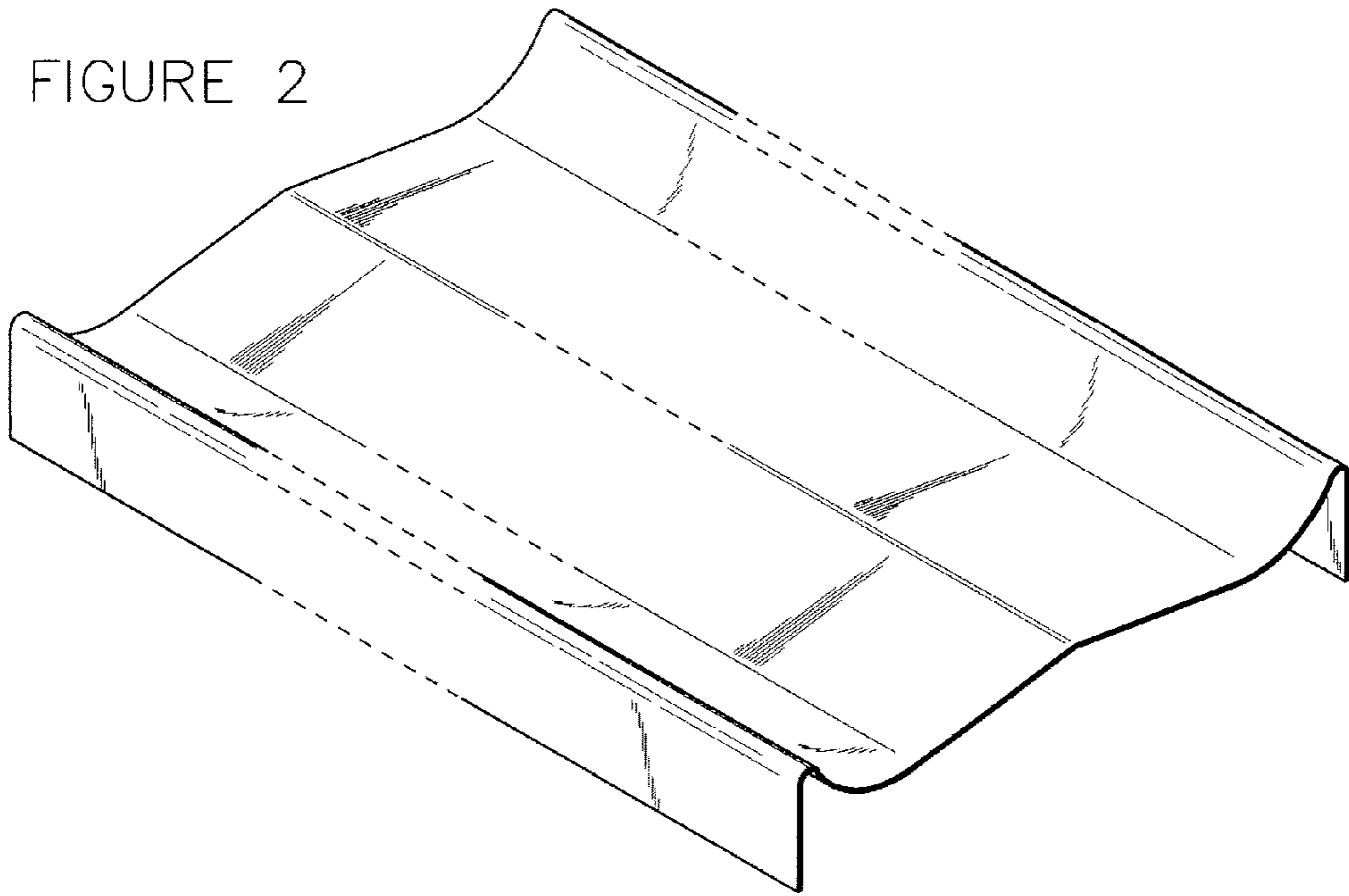


FIGURE 4

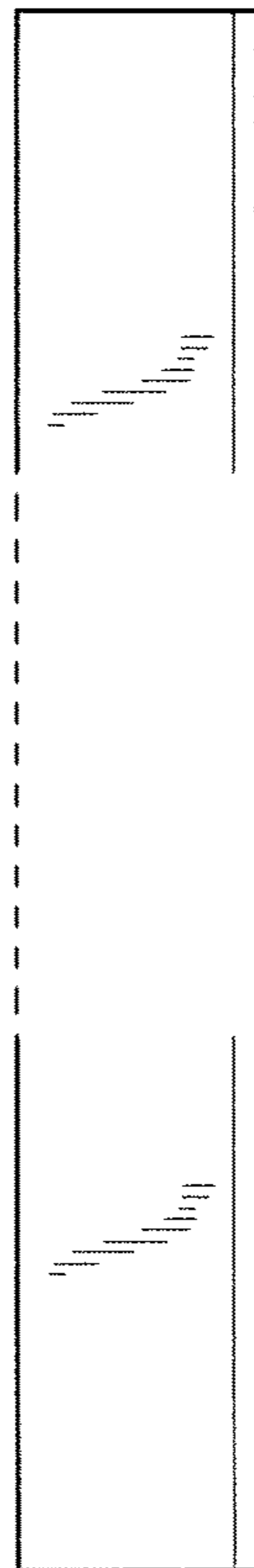


FIGURE 3

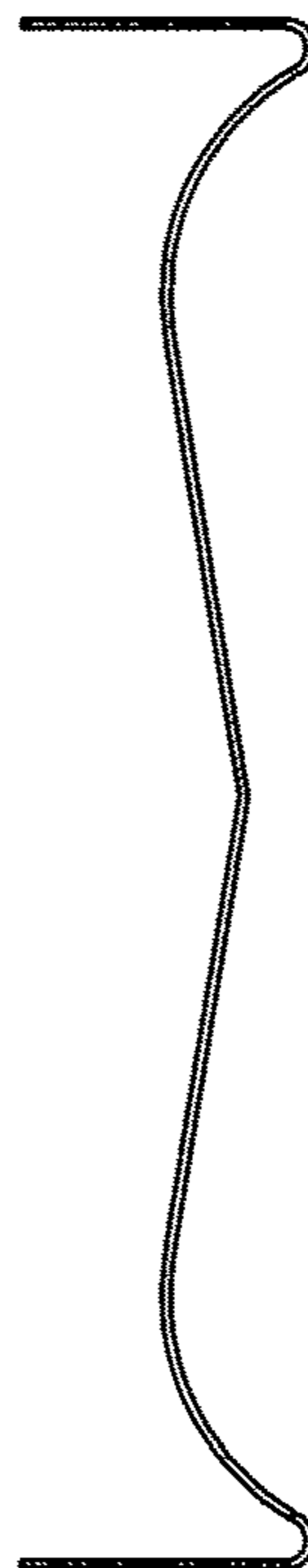


FIGURE 6

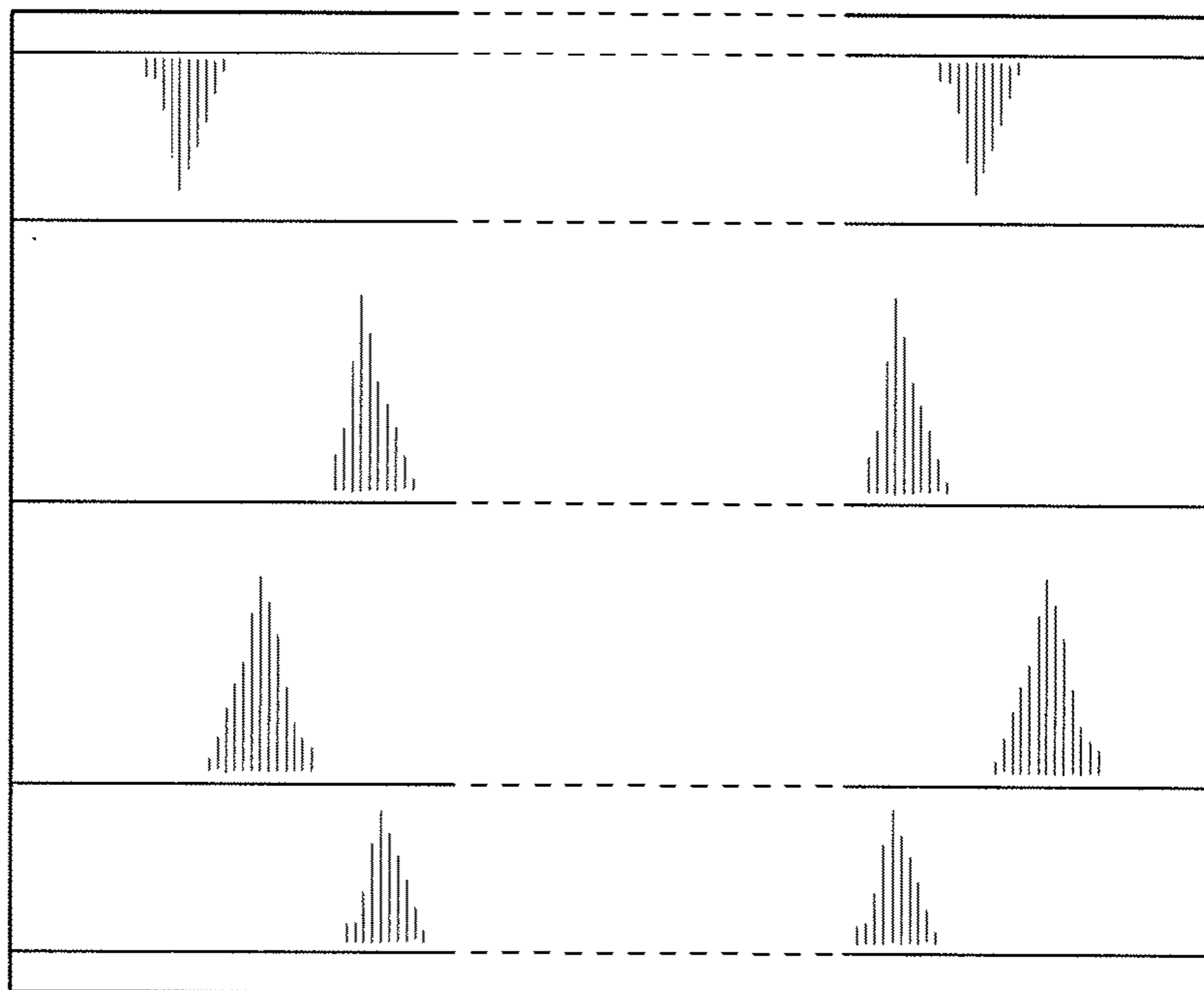


FIGURE 5

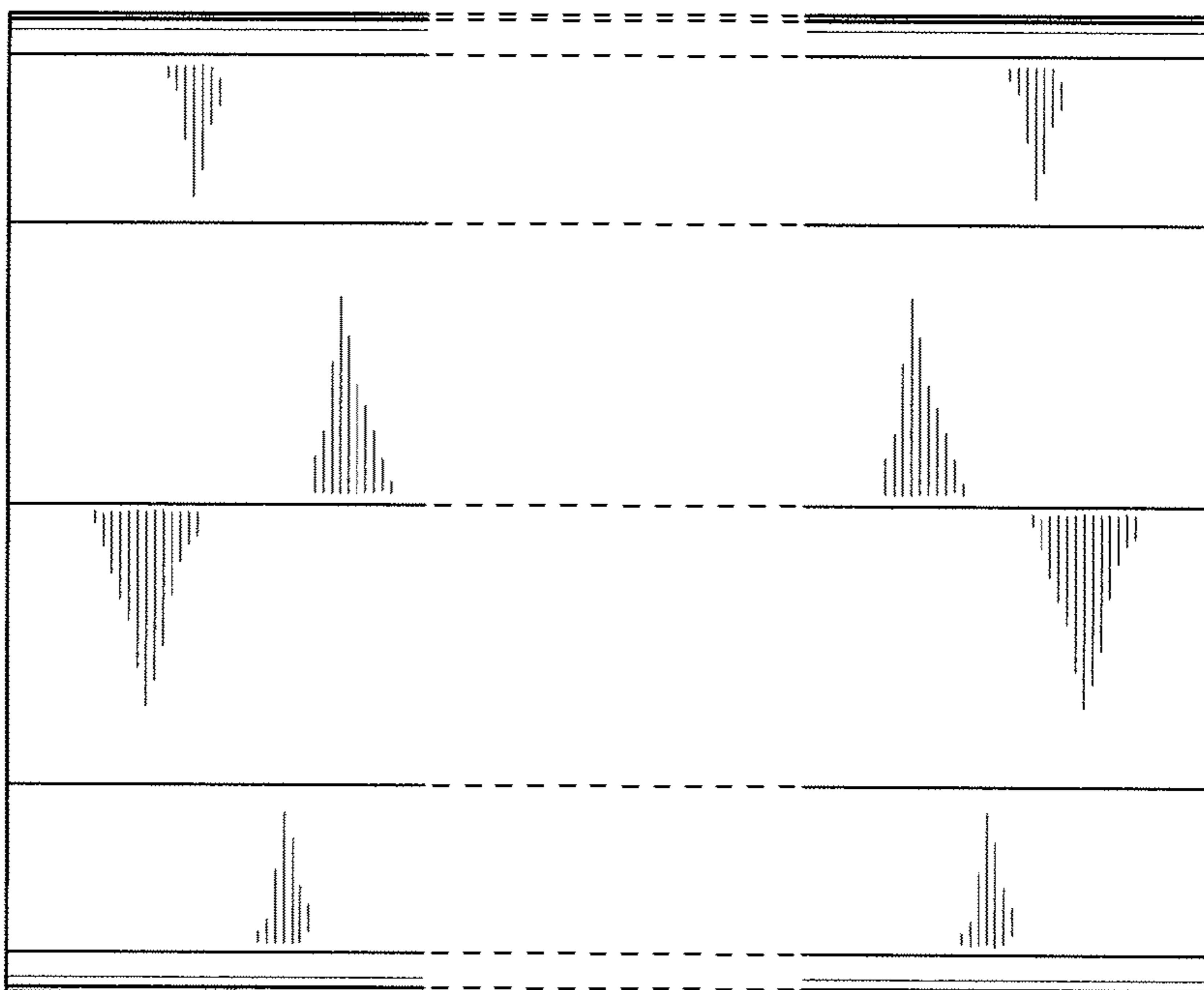


FIGURE 7

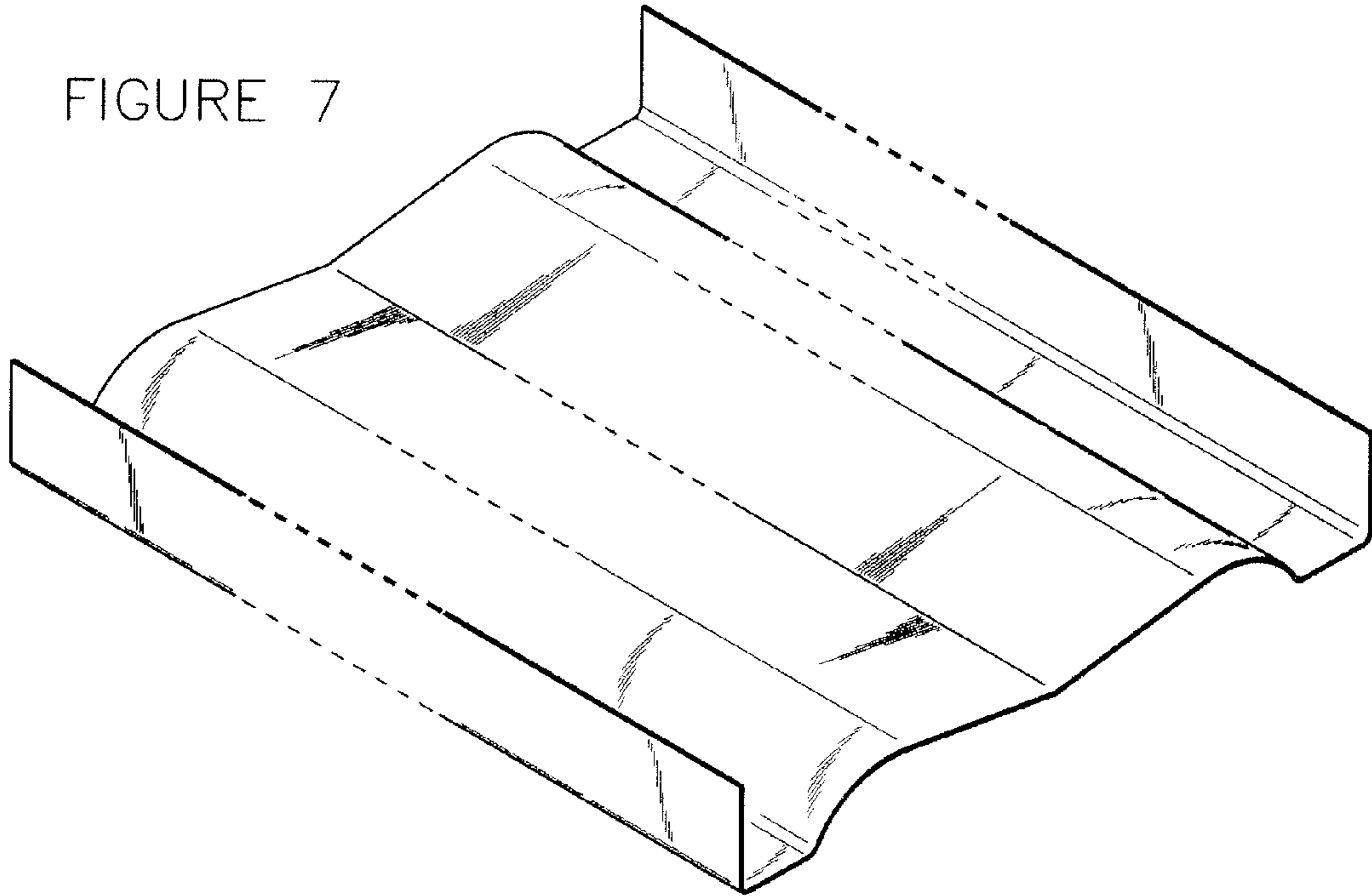


FIGURE 8

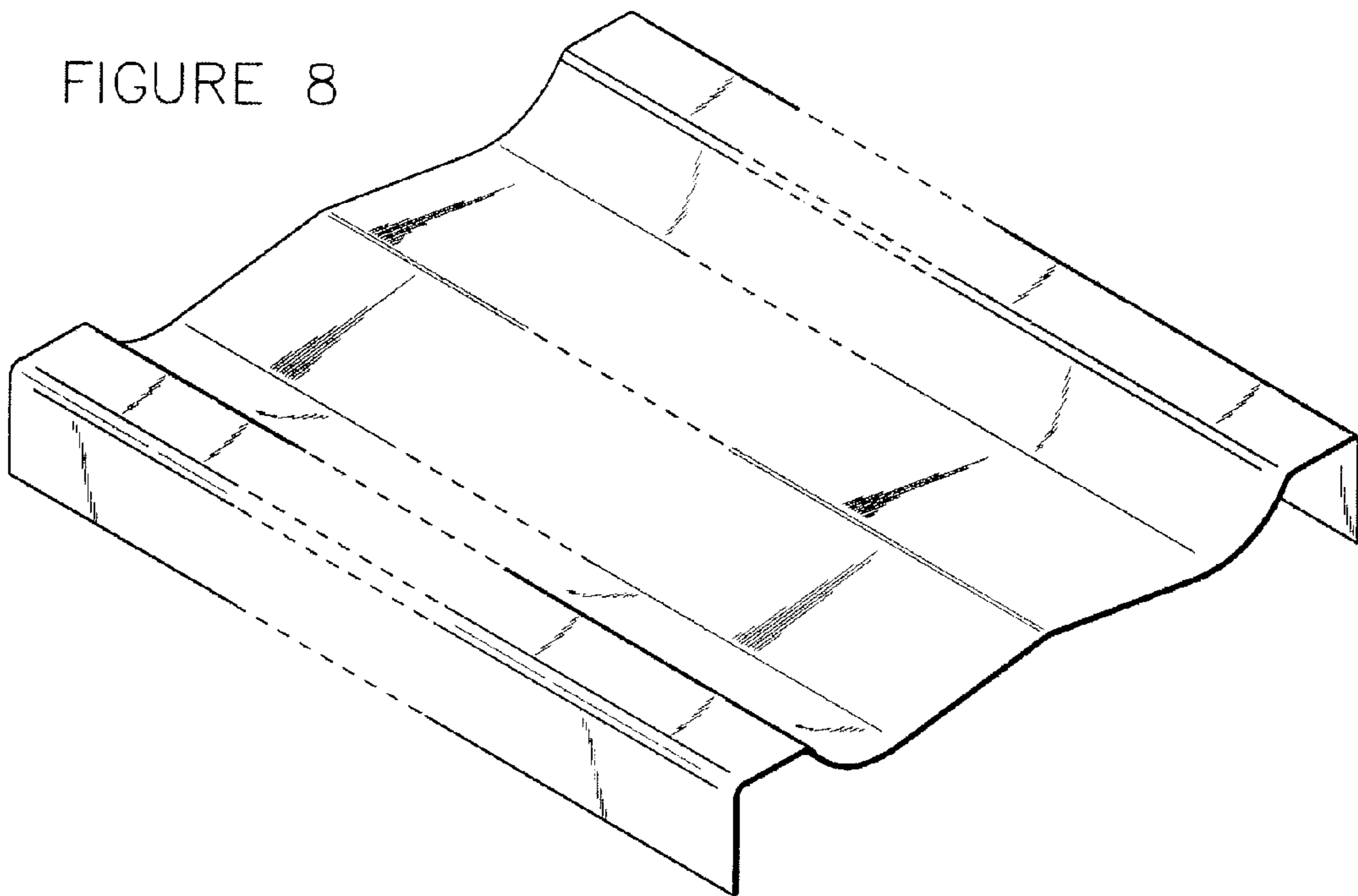


FIGURE 10

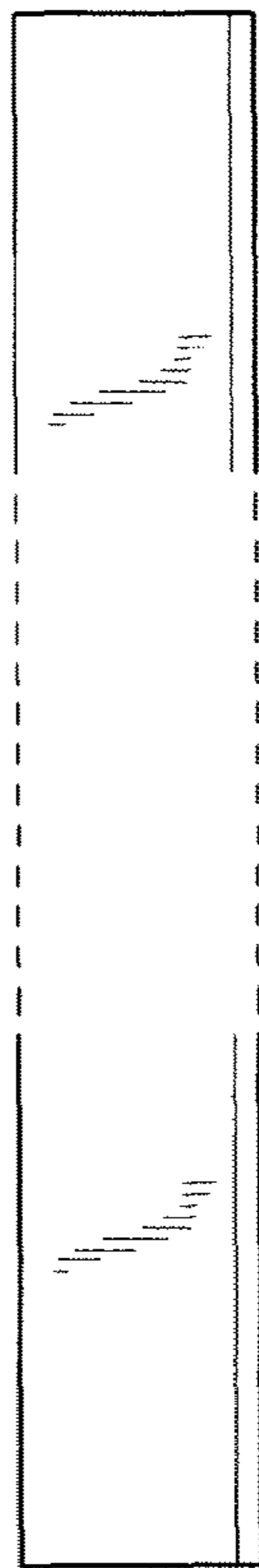


FIGURE 9

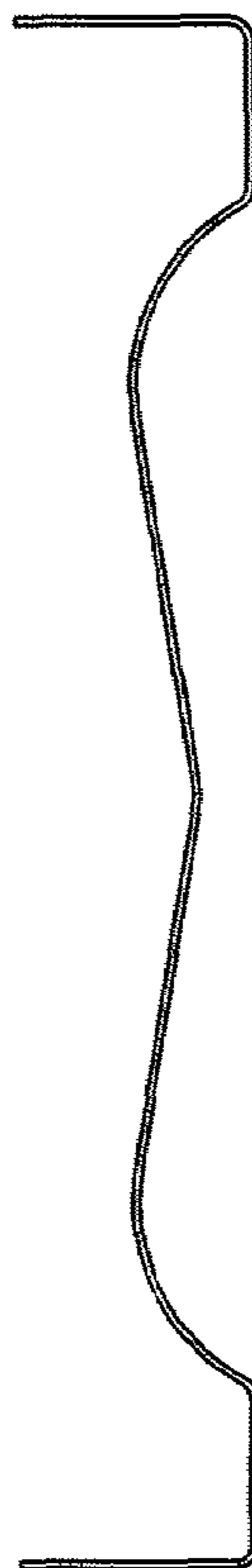


FIGURE 12

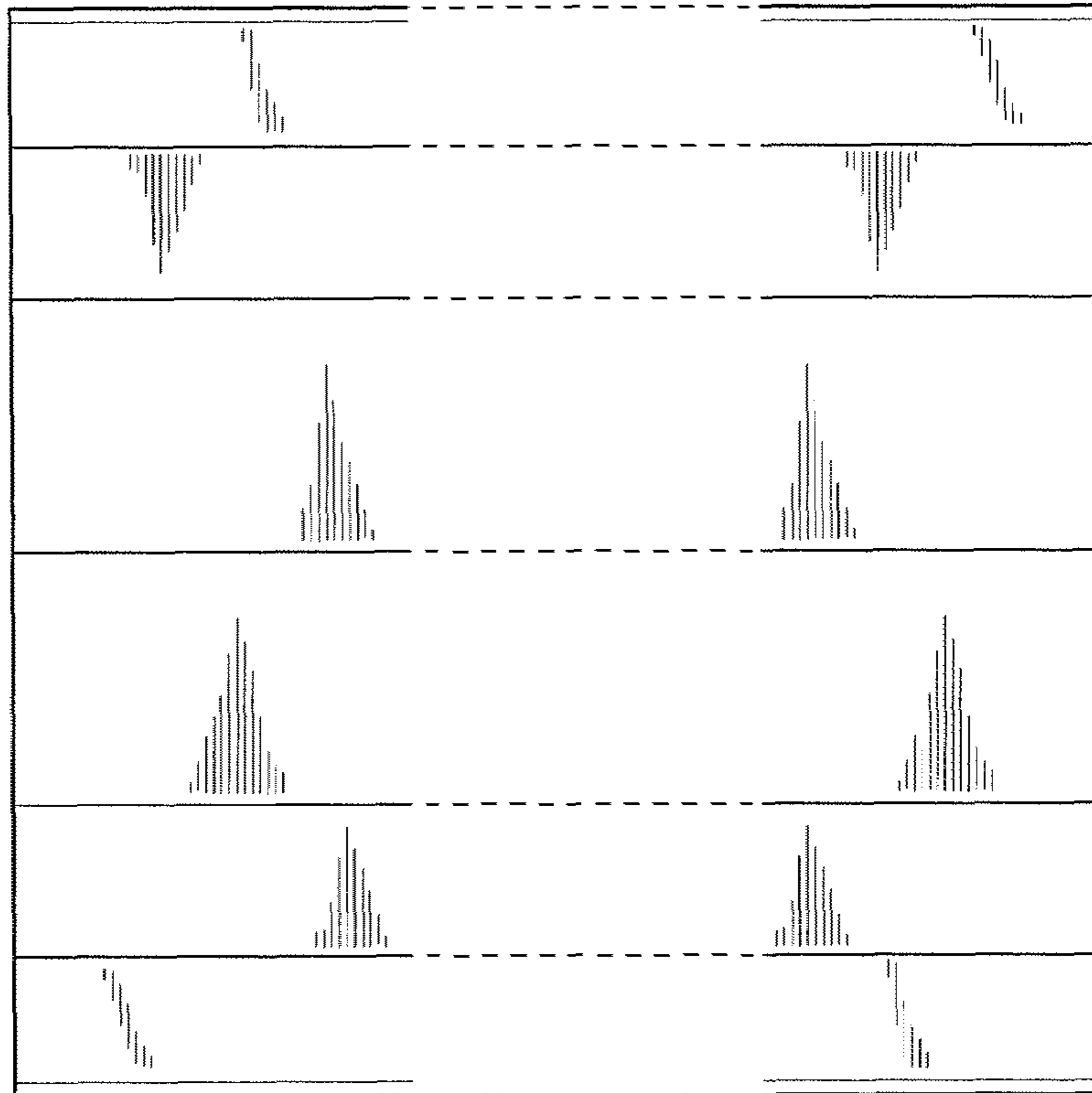


FIGURE 11

