



US00D595892S

(12) **United States Design Patent**
Smith et al.

(10) **Patent No.:** **US D595,892 S**
(45) **Date of Patent:** **** Jul. 7, 2009**

(54) **SCALLOPED IMPLANTABLE INJECTABLE PORT**

(75) Inventors: **A. David Smith**, Fayetteville, GA (US);
Michael E. Elbe, Fayetteville, GA (US)

(73) Assignee: **AngioDynamics, Inc.**, Queensbury, NY (US)

(**) Term: **14 Years**

(21) Appl. No.: **29/284,976**

(22) Filed: **Sep. 19, 2007**

(51) **LOC (9) Cl.** **24-01**

(52) **U.S. Cl.** **D26/108**

(58) **Field of Classification Search** D24/108,
D24/111, 129, 155; 604/167.02, 288.01,
604/288.02, 288.03, 288.04

See application file for complete search history.

(56) **References Cited**

U.S. PATENT DOCUMENTS

| | | | | |
|--------------|---------|------------------|-------|---------|
| D283,442 S * | 4/1986 | Richmond | | D24/129 |
| 4,634,427 A | 1/1987 | Hannula et al. | | |
| 4,781,680 A | 11/1988 | Redmond et al. | | |
| 5,013,298 A | 5/1991 | Moden et al. | | |
| 5,041,098 A | 8/1991 | Loiterman et al. | | |
| 5,045,060 A | 9/1991 | Melsky et al. | | |
| 5,137,529 A | 8/1992 | Watson et al. | | |
| 5,213,574 A | 5/1993 | Tucker | | |
| D337,637 S | 7/1993 | Tucker | | |
| 5,318,545 A | 6/1994 | Tucker | | |
| 5,558,641 A | 9/1996 | Glantz et al. | | |
| 5,637,102 A | 6/1997 | Tolkoff et al. | | |
| 5,743,873 A | 4/1998 | Cai et al. | | |

| | | | | |
|---------------|---------|----------------|-------|------------|
| 5,833,654 A | 11/1998 | Powers et al. | | |
| 5,848,989 A | 12/1998 | Villani et al. | | |
| D413,672 S | 9/1999 | Fogarty | | |
| 5,951,512 A * | 9/1999 | Dalton | | 604/288.04 |
| 6,007,516 A | 12/1999 | Burbank et al. | | |
| 6,113,572 A | 9/2000 | Gailey et al. | | |

(Continued)

Primary Examiner—Ian Simmons

Assistant Examiner—Carissa C Fitts

(74) *Attorney, Agent, or Firm*—Tara L. Custer

(57) **CLAIM**

The ornamental design for a scalloped implantable injectable port, as shown and described.

DESCRIPTION

FIG. 1 is a perspective view of a scalloped implantable injectable port according to the present invention.

FIG. 2 is a top plan view thereof.

FIG. 3 is a bottom plan view thereof.

FIG. 4 is a left side elevation view thereof.

FIG. 5 is a right side elevation view thereof.

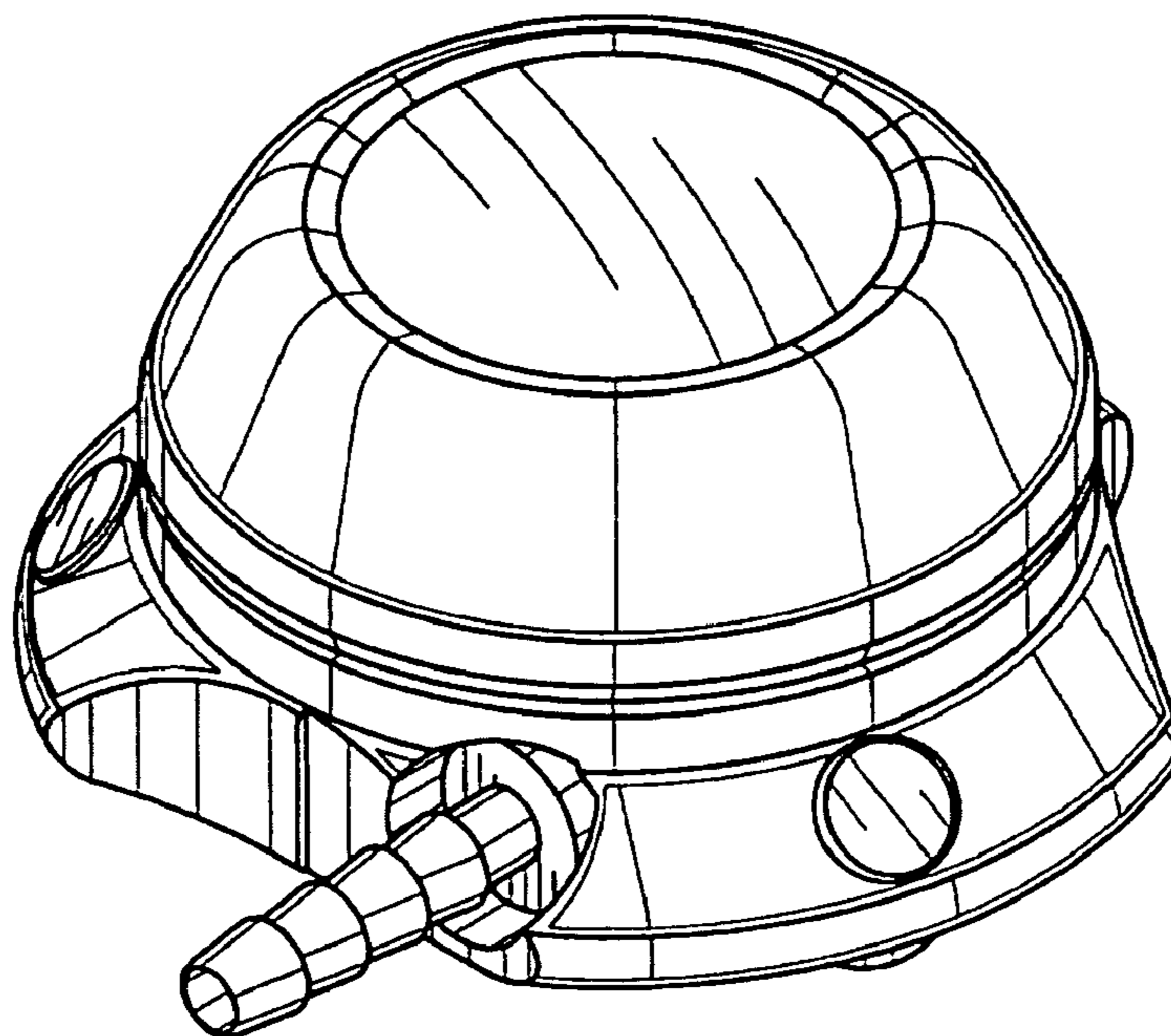
FIG. 6 is a front elevation view thereof; and,

FIG. 7 is a rear elevation view thereof.

Any broken line illustration of environmental structure in the drawing is not part of the design sought to be patented.

Our scalloped implantable injectable port is a medically implantable device having a port that has characterized by a port housing with scalloped edges and the written expression “scalloped implantable injectable port”.

1 Claim, 4 Drawing Sheets



US D595,892 S

Page 2

| U.S. PATENT DOCUMENTS | | | | | |
|-----------------------|-----|------------------------------------|--------------|-----|--------------------------------------|
| | | | 2005/0256451 | A1 | 11/2005 Adams et al. |
| | | | 2005/0283119 | A1 | 12/2005 Uth et al. |
| 6,186,982 | B1 | 2/2001 Gross et al. | 2006/0116648 | A1* | 6/2006 Hamatake 604/288.02 |
| 6,213,973 | B1 | 4/2001 Eliassen et al. | 2006/0178647 | A1* | 8/2006 Stats 604/288.01 |
| D445,175 | S | 7/2001 Bertheas | 2006/0178648 | A1 | 8/2006 Barron et al. |
| 6,478,783 | B1* | 11/2002 Moorehead 604/288.02 | 2006/0247584 | A1 | 11/2006 Sheetz et al. |
| 6,527,754 | B1 | 3/2003 Tallarida et al. | 2006/0264898 | A1 | 11/2006 Beasley et al. |
| 6,878,137 | B2 | 4/2005 Benchetrit | 2007/0049806 | A1 | 3/2007 Adams et al. |
| 6,929,631 | B1 | 8/2005 Brugger et al. | 2007/0073250 | A1* | 3/2007 Schneiter 604/288.01 |
| 6,962,580 | B2 | 11/2005 Adams et al. | 2007/0078391 | A1 | 4/2007 Wortley et al. |
| 6,997,914 | B2 | 2/2006 Smith et al. | 2007/0219510 | A1 | 9/2007 Zinn et al. |
| D546,440 | S* | 7/2007 Burnside D24/108 | 2007/0233018 | A1 | 10/2007 Bizup et al. |
| D550,355 | S | 9/2007 Racz et al. | 2007/0270770 | A1* | 11/2007 Bizup 604/288.02 |
| D562,443 | S | 2/2008 Zinn et al. | 2007/0276344 | A1* | 11/2007 Bizup et al. 604/288.02 |
| 7,347,843 | B2 | 3/2008 Adams et al. | 2008/0114308 | A1 | 5/2008 di Palma et al. |
| 7,351,233 | B2 | 4/2008 Parks | | | |
| 2003/0181878 | A1 | 9/2003 Tallarida et al. | | | |
| 2005/0209573 | A1 | 9/2005 Brugger et al. | | | |

* cited by examiner

FIG.1

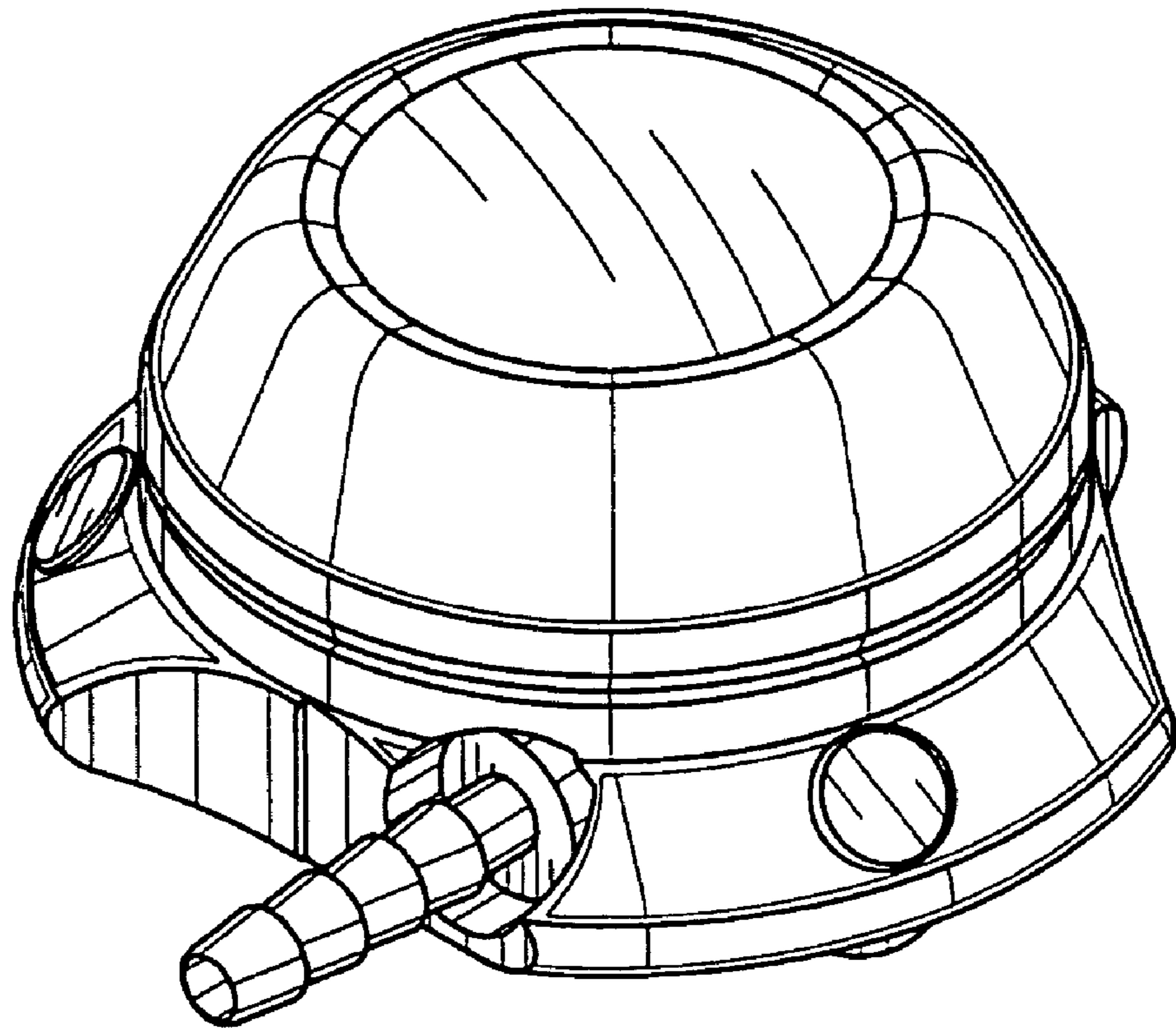


FIG.2

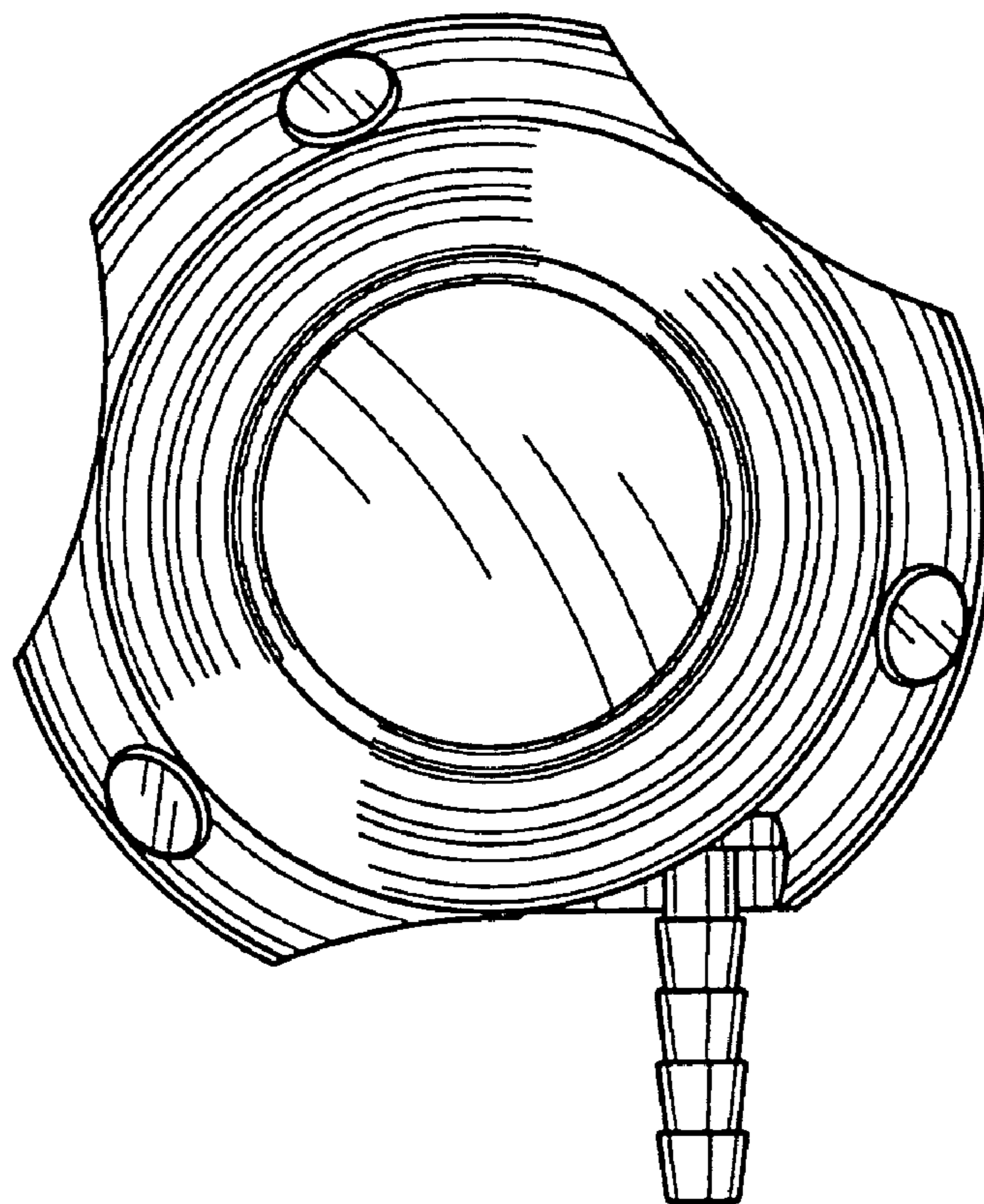


FIG.3

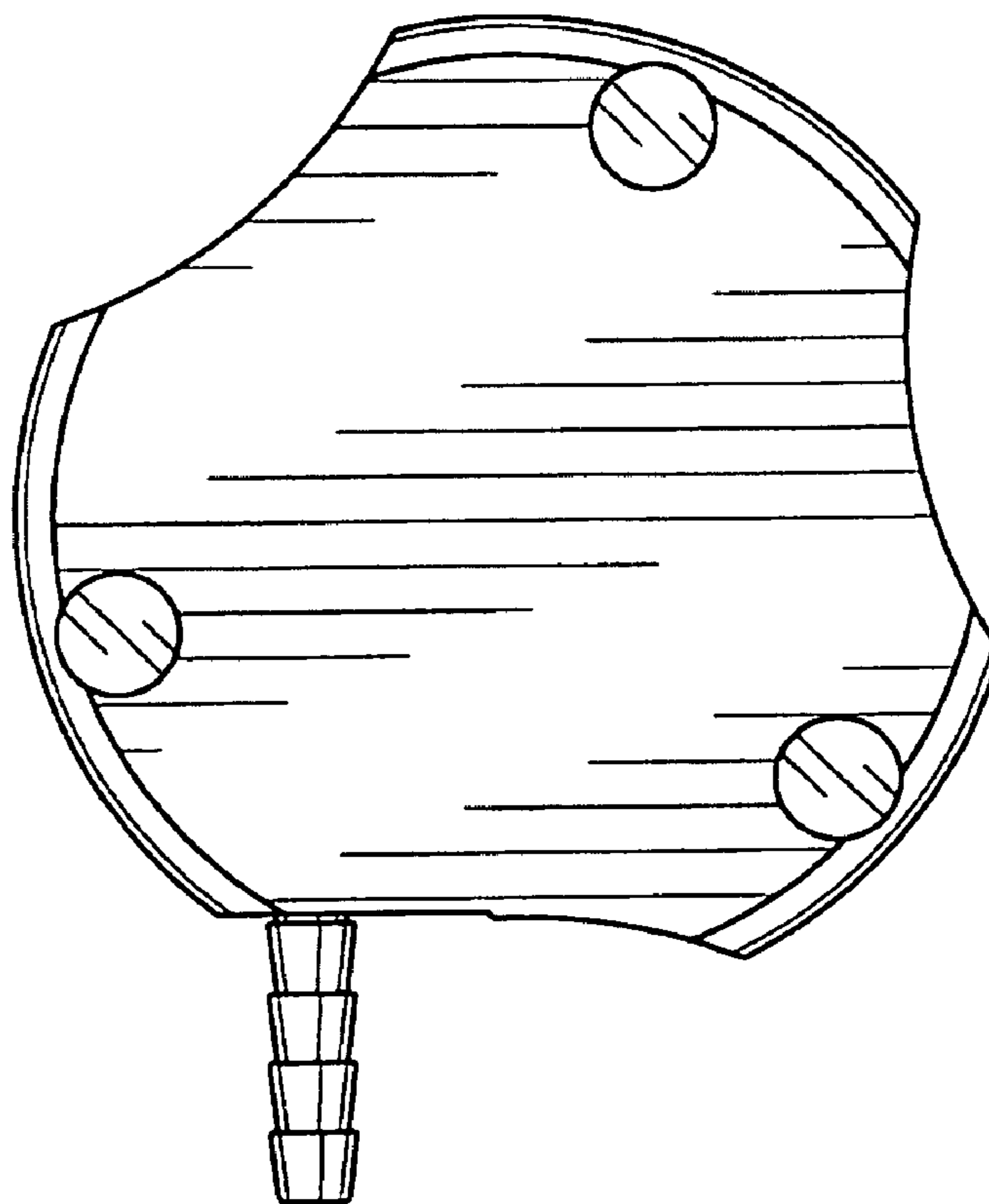


FIG.4

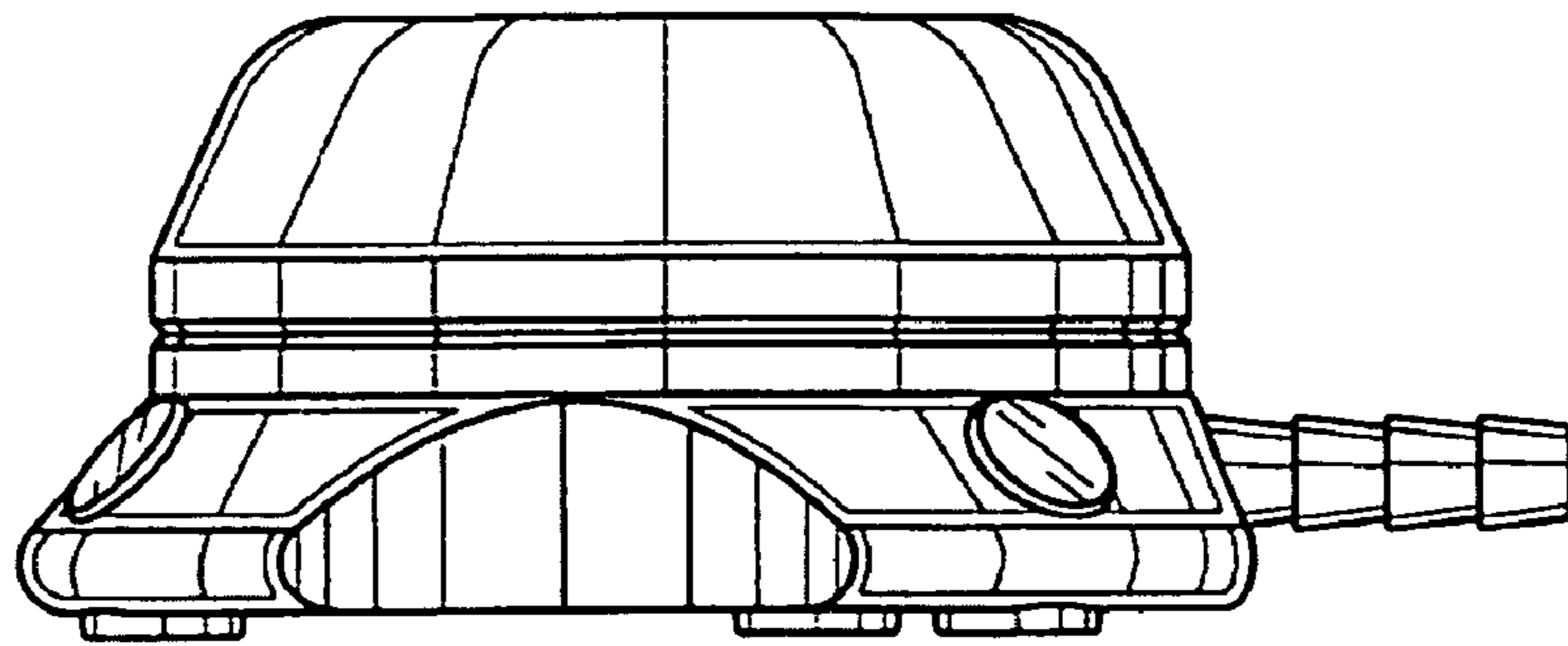


FIG.5

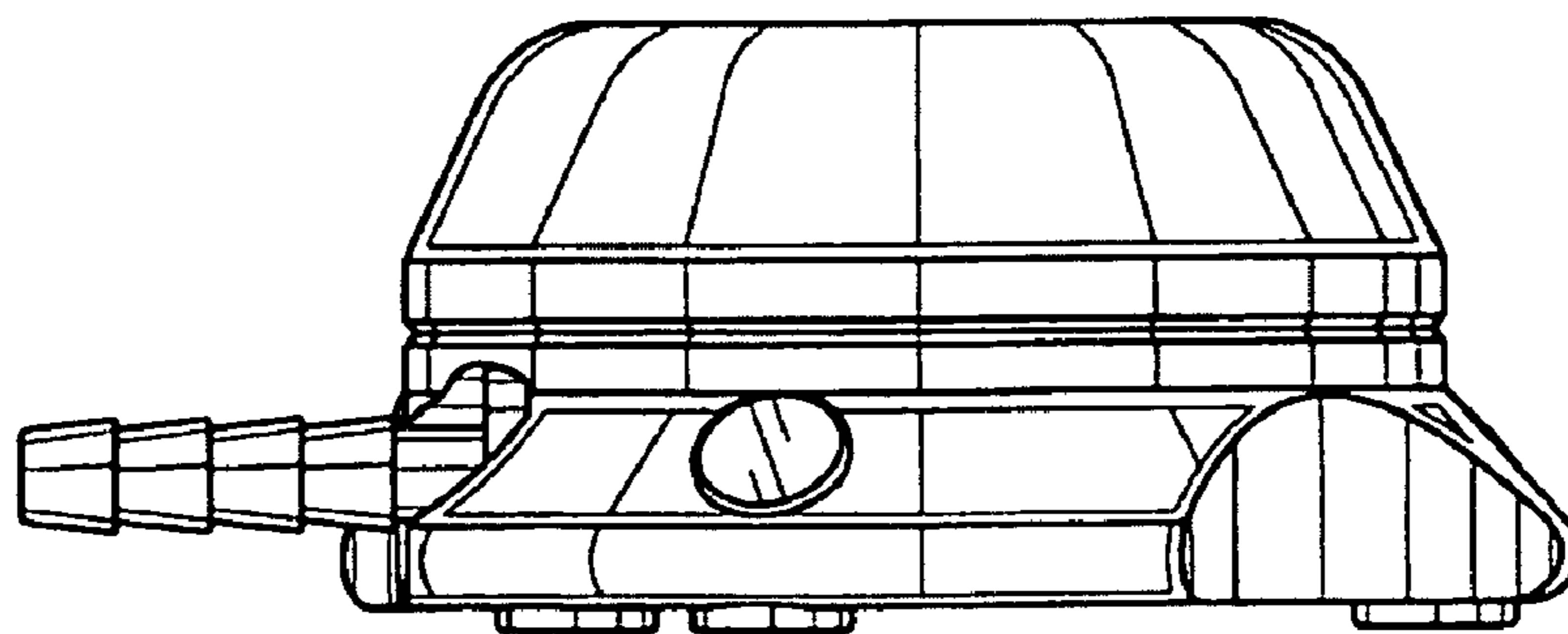


FIG.6

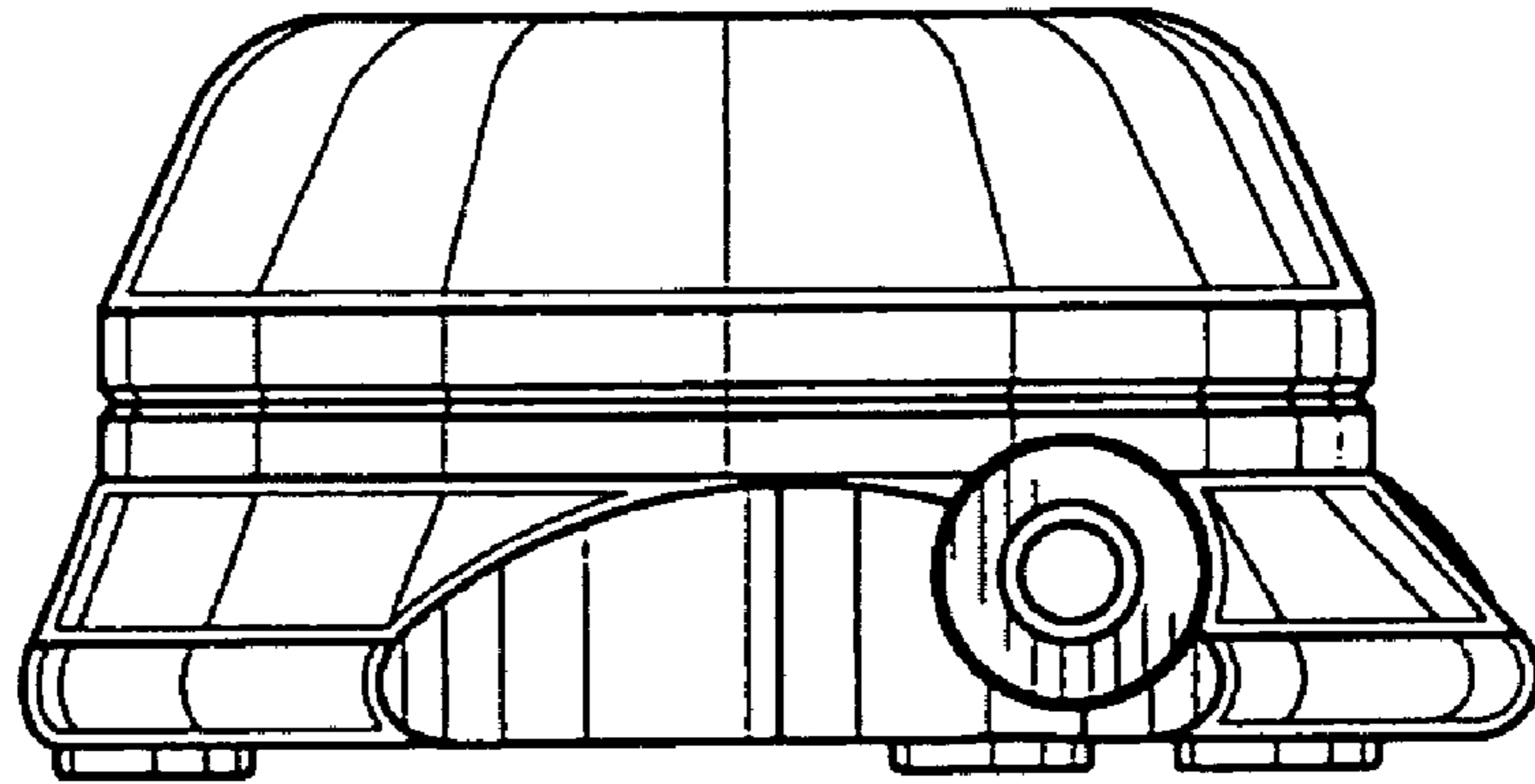


FIG.7

