



US00D595889S

(12) **United States Design Patent**
Sabernig

(10) **Patent No.:** **US D595,889 S**

(45) **Date of Patent:** **** Jul. 7, 2009**

(54) **LIGHT FIXTURE**

(75) Inventor: **Robert Sabernig**, Munster (AT)

(73) Assignee: **EGLO Leuchten GmbH**, Innsbruck (AT)

(**) Term: **14 Years**

(21) Appl. No.: **29/325,954**

(22) Filed: **Oct. 8, 2008**

(51) **LOC (9) Cl.** **26-03**

(52) **U.S. Cl.** **D26/87; D26/118**

(58) **Field of Classification Search** D26/72,
D26/85, 87, 92, 118; 362/147, 362, 404,
362/432

See application file for complete search history.

(56) **References Cited**

U.S. PATENT DOCUMENTS

1,416,664	A *	5/1922	Healy et al.	362/432
D177,715	S *	5/1956	Clemens	D26/87
D177,716	S *	5/1956	Crosby	D26/87
D394,125	S *	5/1998	Barry	D26/87
D418,624	S *	1/2000	Vanderbyl	D26/87
D441,487	S *	5/2001	Crosby	D26/87
D576,767	S *	9/2008	Gutkin	D26/145

OTHER PUBLICATIONS

“Limbo” table lamp shown on p. 303 of the 2005 Ikea catalog. © 2004.*

* cited by examiner

Primary Examiner—Clare E Heflin

(74) *Attorney, Agent, or Firm*—Baker & McKenzie LLP

(57) **CLAIM**

The ornamental design for a light fixture, as shown and described.

DESCRIPTION

FIG. 1 is a bottom perspective view of a light fixture in accordance with my design;

FIG. 2 is a top plan view of the light fixture in accordance with my design;

FIG. 3 is a bottom plan view of the light fixture in accordance with my design;

FIG. 4 is a front elevation view of the light fixture in accordance with my design;

FIG. 5 is a back elevation view of the light fixture in accordance with my design;

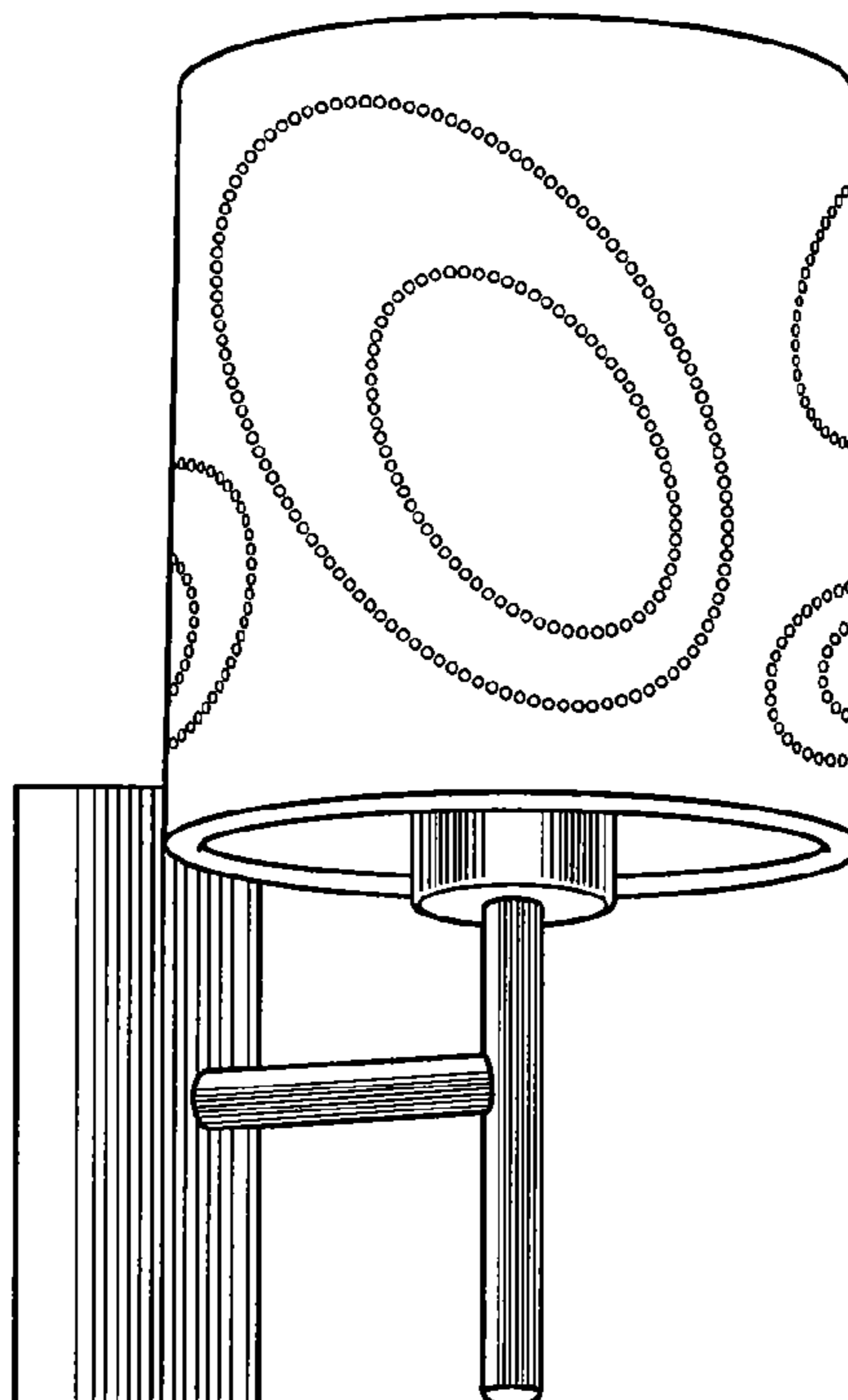
FIG. 6 is a side elevation view of the light fixture in accordance with my design; and,

FIG. 7 is an opposite side elevation view of the light fixture in accordance with my design.

The broken lines showing environmental structure are for illustrative purposes only and form no part of the claimed design.

Features of the design include the pattern applied to the article as shown in the draftsman’s representations.

1 Claim, 2 Drawing Sheets



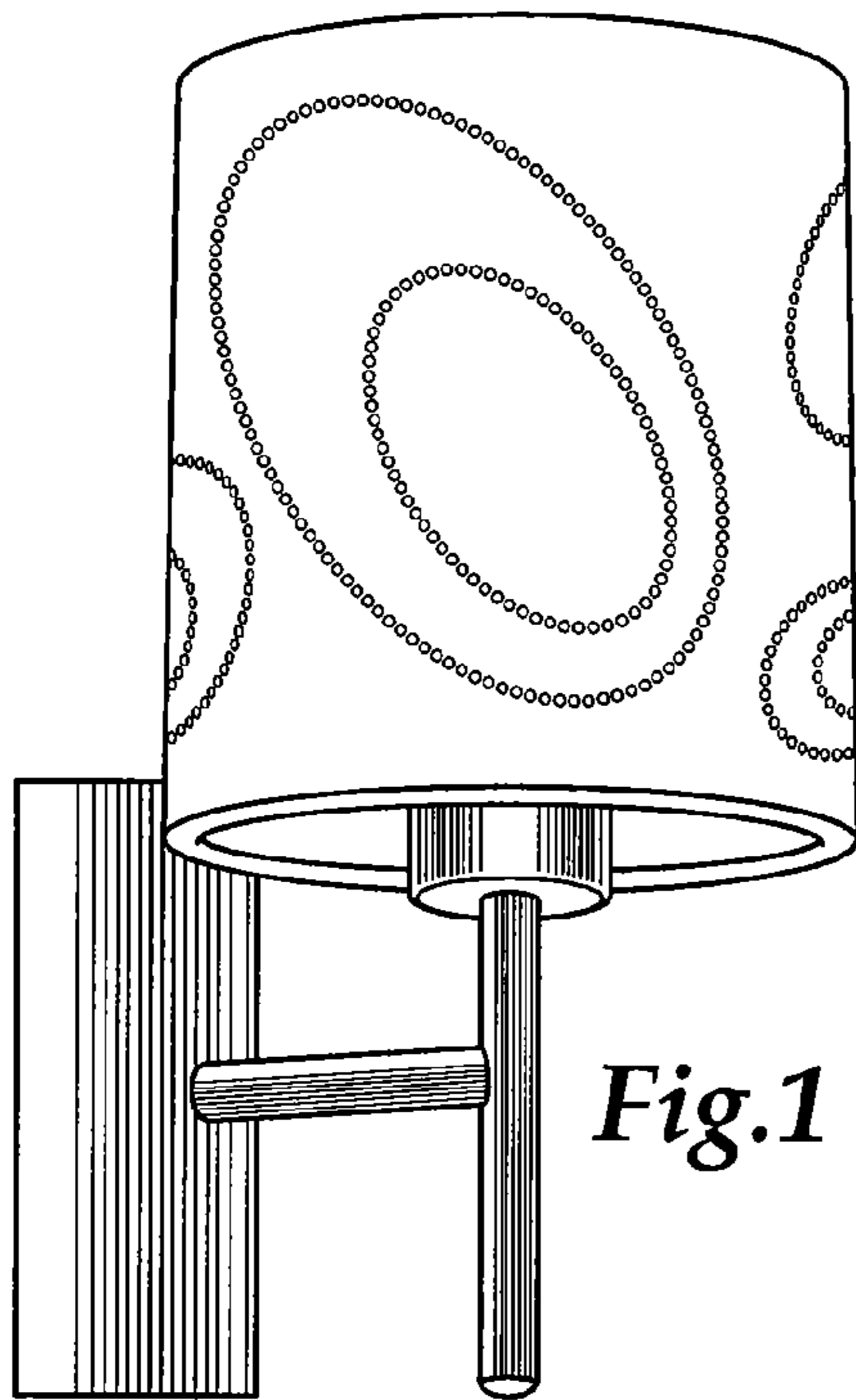


Fig.1

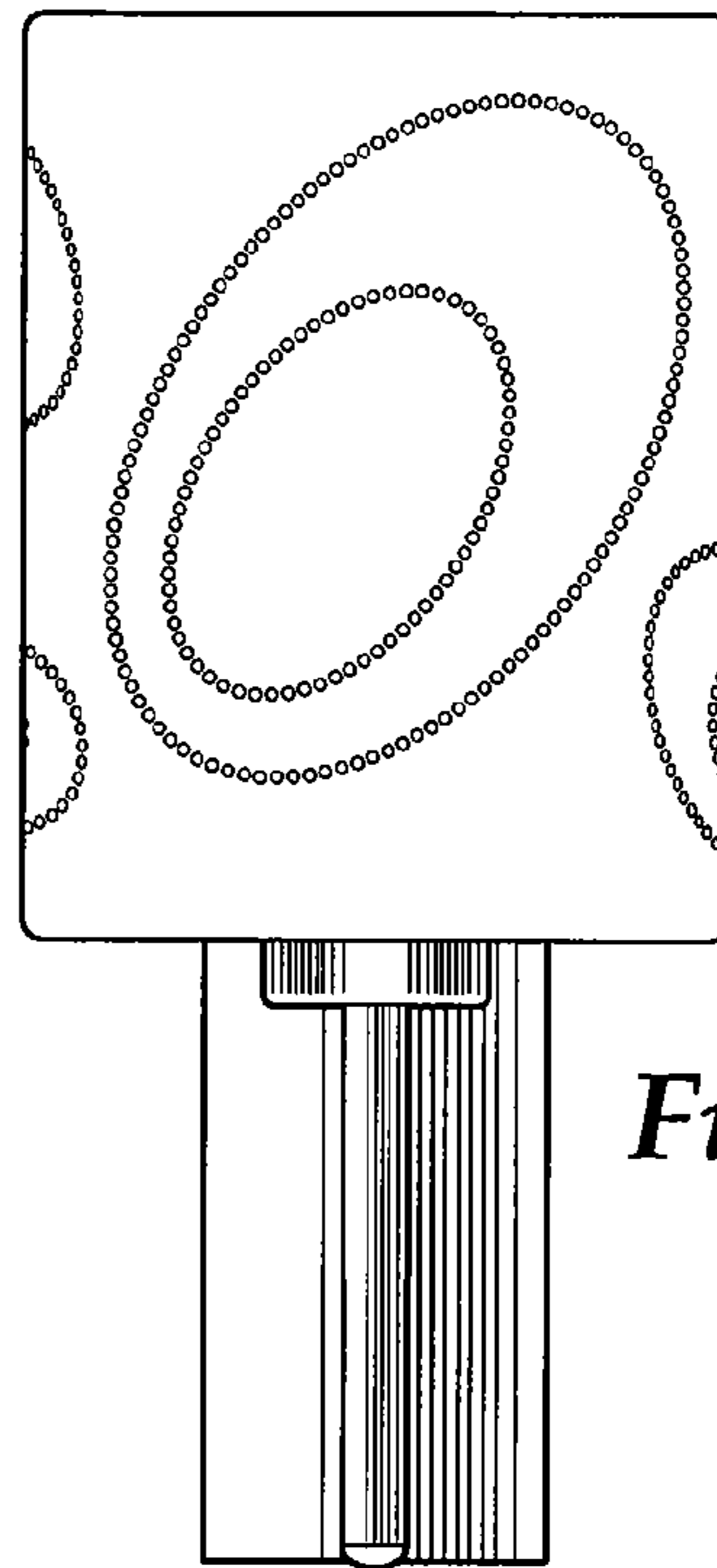


Fig.4

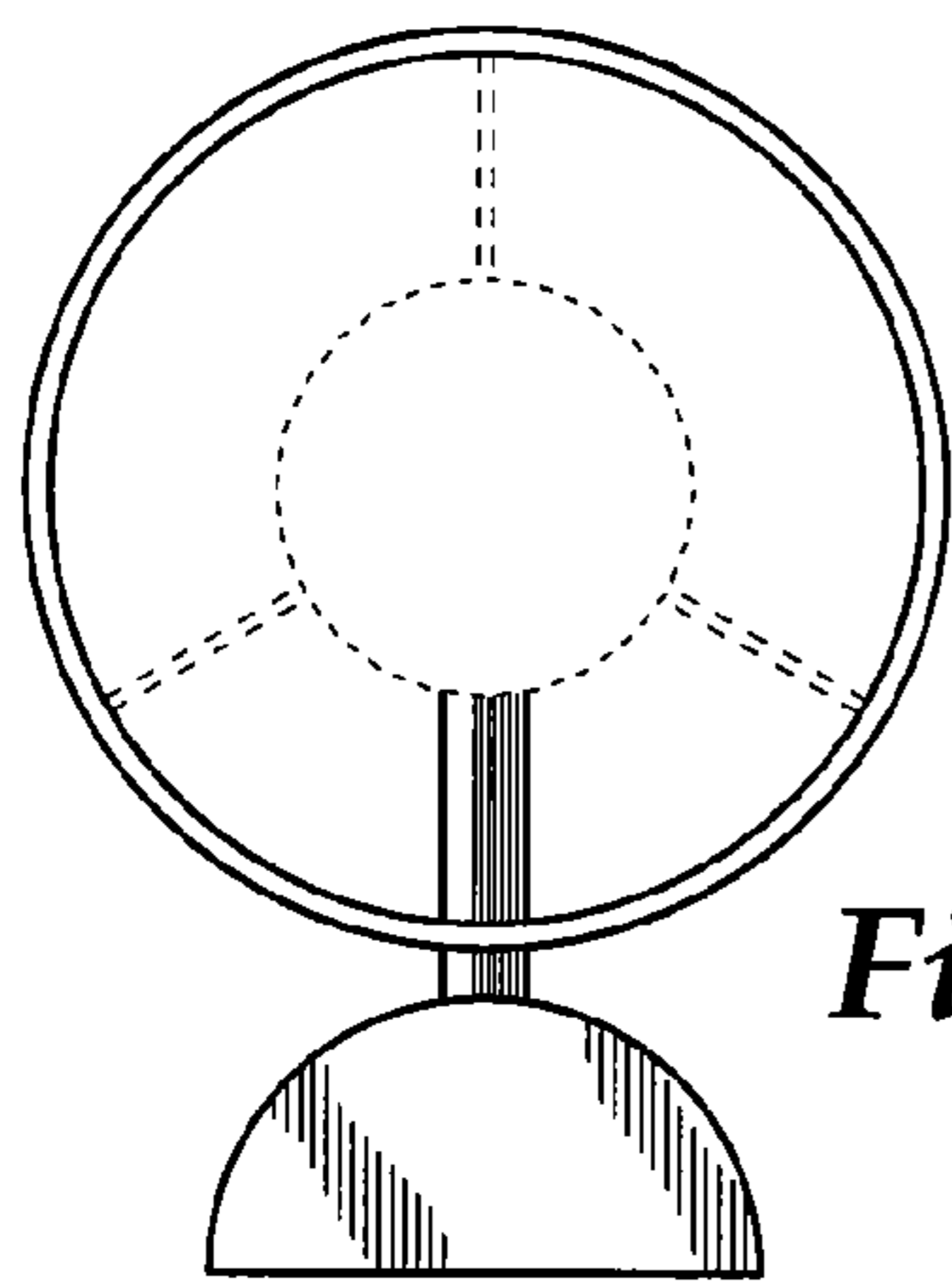


Fig.2

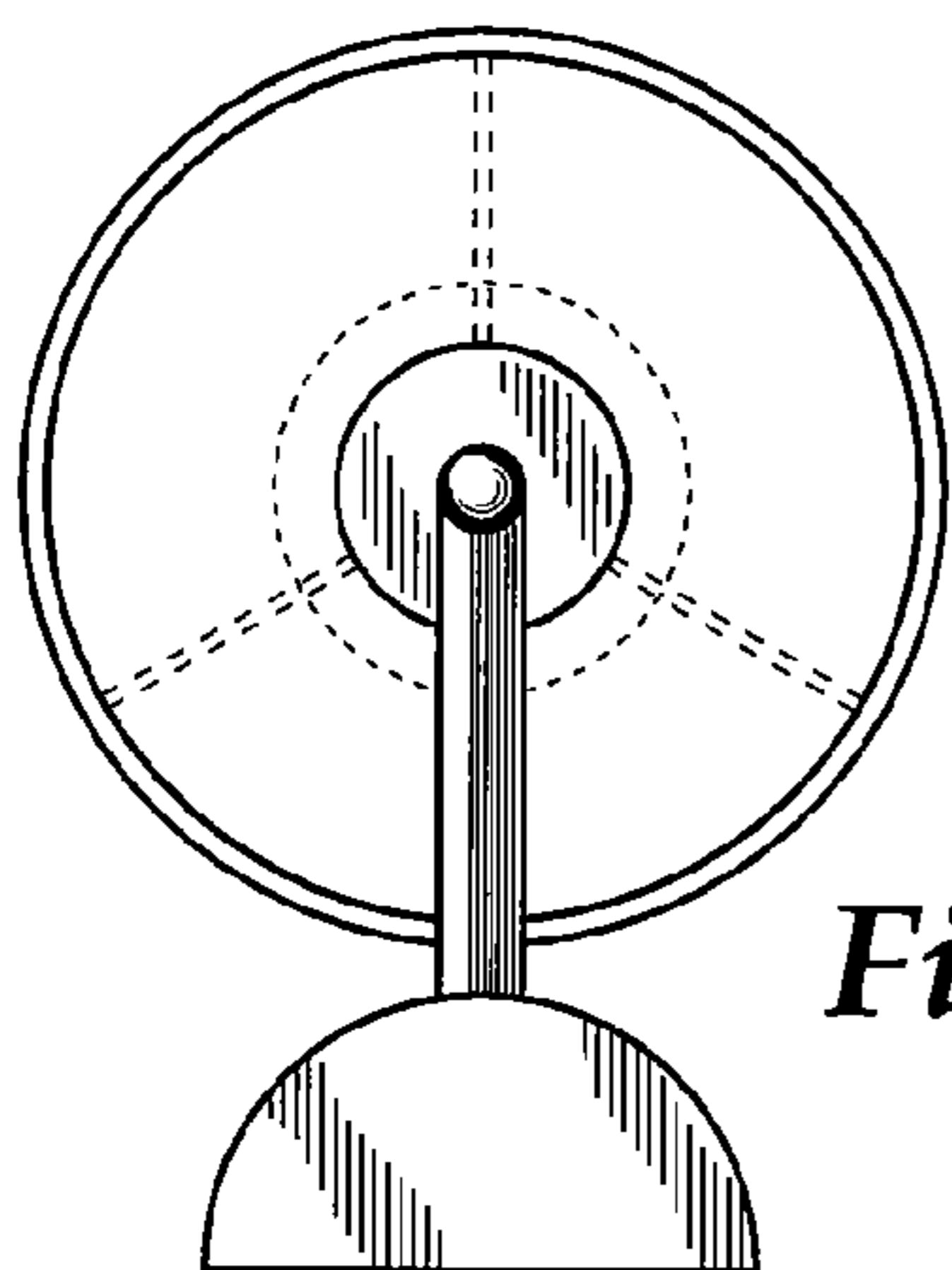


Fig.3

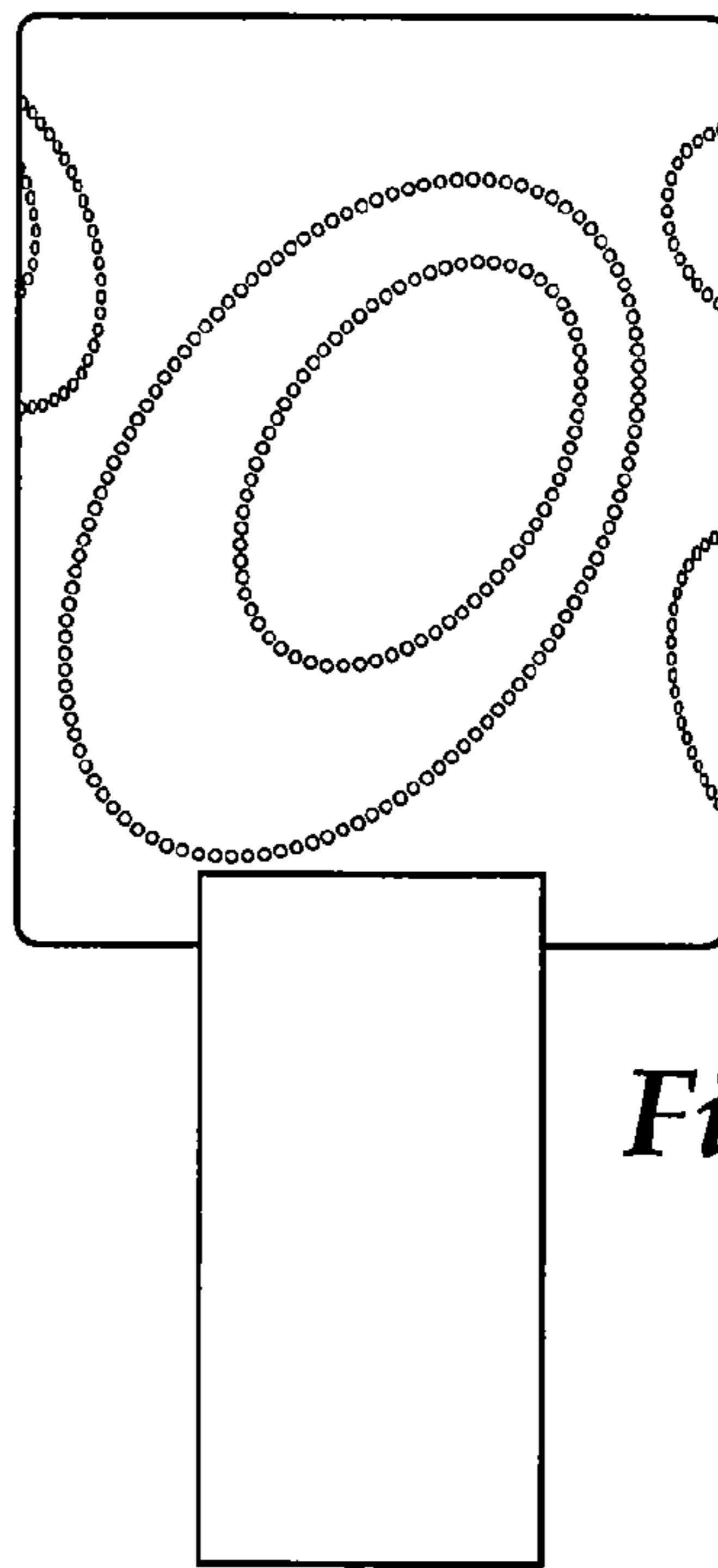


Fig.5

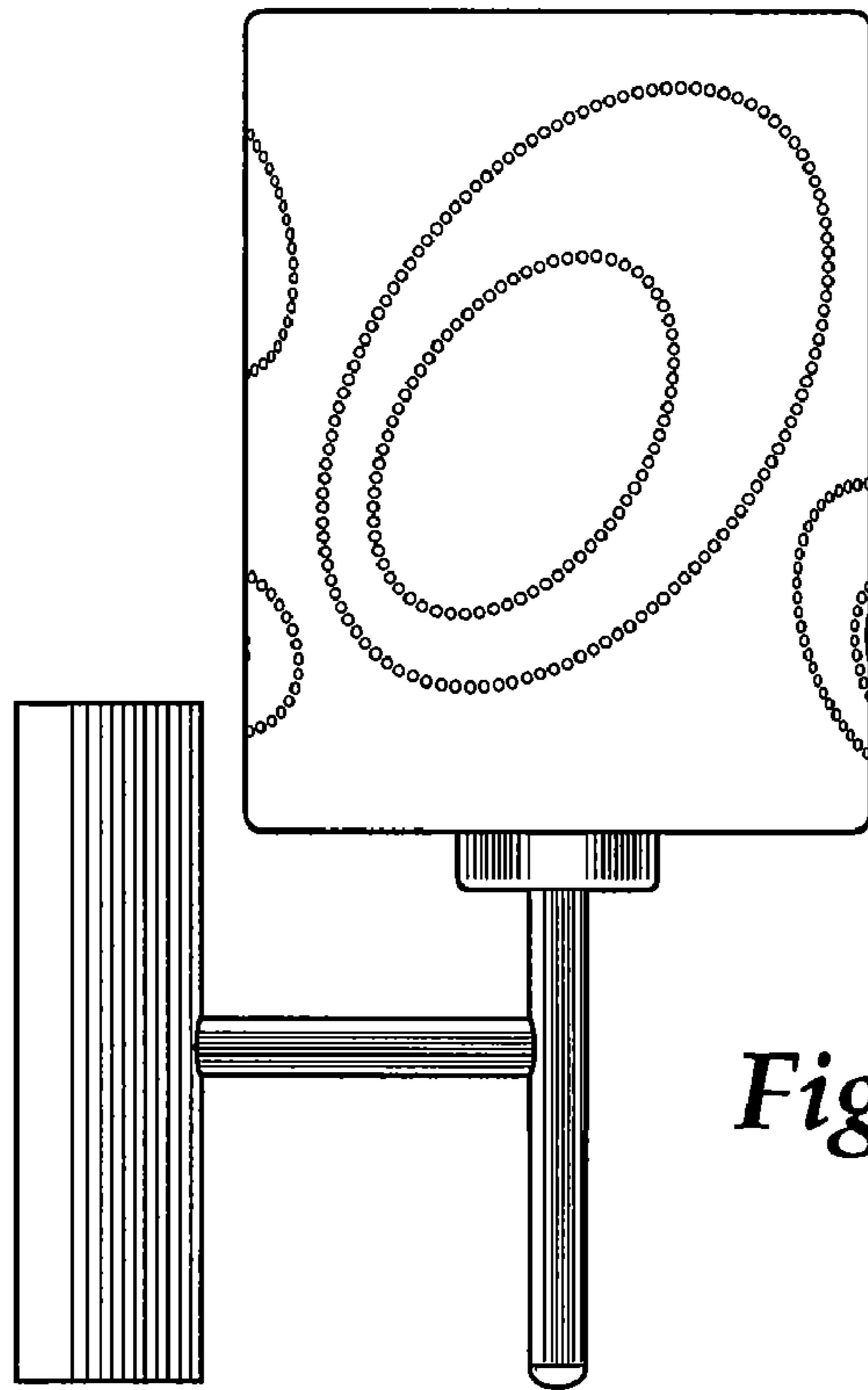


Fig. 6

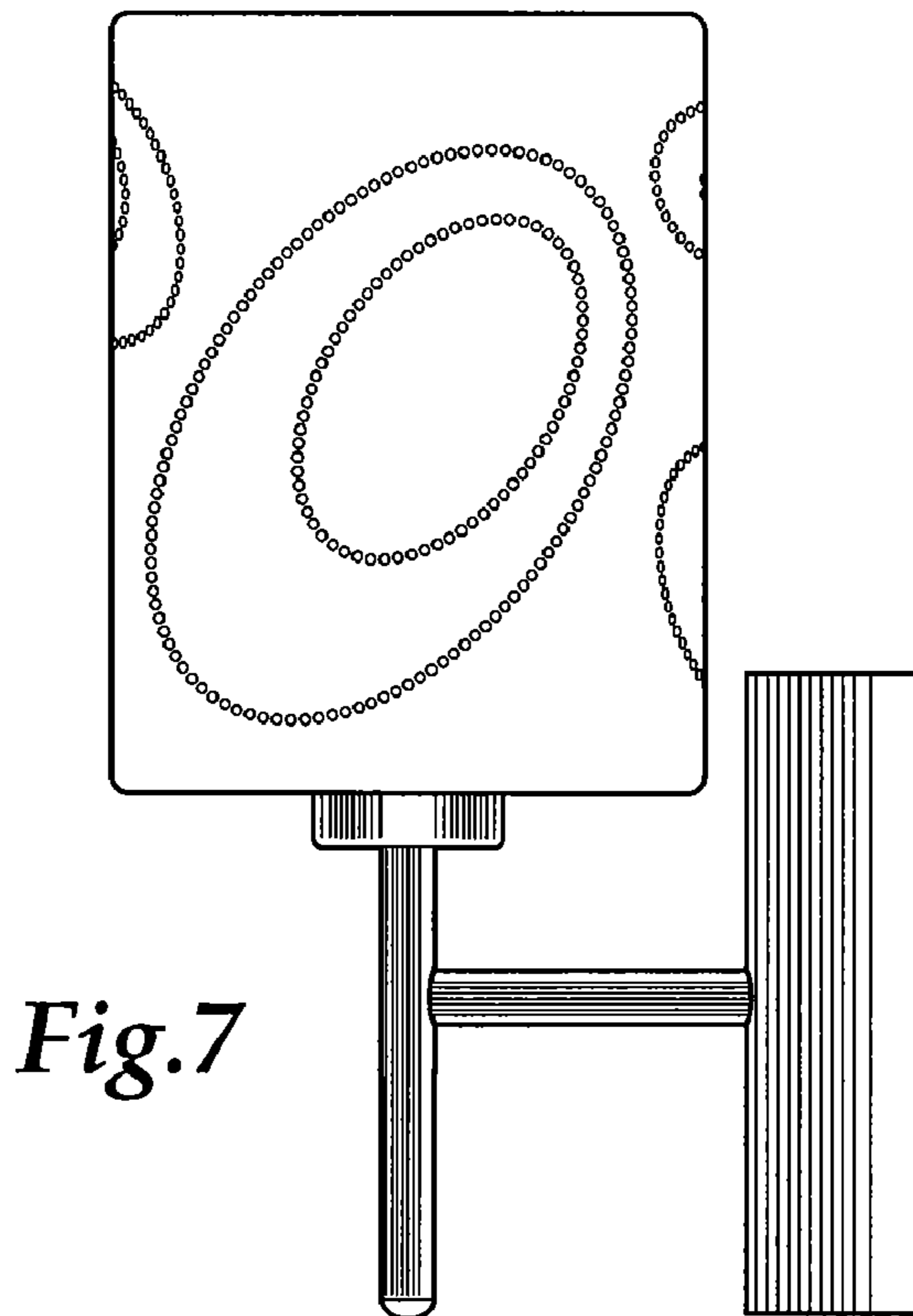


Fig. 7