

US00D595887S

(12) **United States Design Patent**
Blom

(10) **Patent No.:** **US D595,887 S**
(45) **Date of Patent:** **** Jul. 7, 2009**

(54) **COMBINED LIGHT AND SHELF**
(75) Inventor: **Dan Blom**, Paramount, CA (US)
(73) Assignee: **Aquastar, Inc.**, Paramount, CA (US)
(**) Term: **14 Years**

D565,234 S * 3/2008 Pfund et al. D26/87
D565,786 S * 4/2008 Willmorth et al. D26/138
D587,392 S * 2/2009 Sabernig D26/84
2003/0161141 A1 * 8/2003 Kotovsky 362/147
2004/0042203 A1 * 3/2004 Ladstatter 362/147
2004/0252488 A1 * 12/2004 Thurk 362/147

(21) Appl. No.: **29/297,042**
(22) Filed: **Nov. 1, 2007**

OTHER PUBLICATIONS

Litebar model S1875. <<http://www.quenich.info/litebar.asp>> Date: Nov. 16, 2007.
Shelf Light <http://www.dchomewood.co.uk/uploaded_pics/au-shelflight.jpg> Date: Nov. 16, 2007.
Mood-Light by Traxton ML-Shelf, <<http://www.thelitesite.com/moodlightshelf.htm>> Date: Nov. 16, 2007.
Mood Light Shelf <http://www.gnr8.biz/product_info.php?products_id=45> Date: Nov. 16, 2007.

(51) **LOC (9) Cl.** **26-03**
(52) **U.S. Cl.** **D26/76; D26/51**
(58) **Field of Classification Search** D26/24-28,
D26/37, 51, 67-68, 72, 74-78, 80, 85, 87-89,
D26/104, 108, 118, 120-122; 362/132, 145,
362/147-150, 157, 217-225, 228, 260, 262-264,
362/267, 310, 345, 364, 365, 368, 432, 440;
D6/511; 108/23

See application file for complete search history.

* cited by examiner

Primary Examiner—Philip S Hyder
Assistant Examiner—Susan E Krakower
(74) *Attorney, Agent, or Firm*—Marc E. Hankin; Hankin Patent Law, APC

(56) **References Cited**

U.S. PATENT DOCUMENTS

D191,628 S * 10/1961 Muller D26/76
D205,192 S * 7/1966 Shearin D26/51
D214,079 S * 5/1969 Schiffer D26/76
D260,187 S * 8/1981 Andersson D26/85
D261,056 S * 9/1981 Andersson D26/85
4,323,954 A * 4/1982 Florence et al. 362/267
D268,367 S * 3/1983 Paquette et al. D26/76
4,689,726 A * 8/1987 Kretzschmar 362/127
D330,090 S * 10/1992 Walter et al. D26/51
D397,486 S * 8/1998 Engle et al. D26/87
D397,818 S * 9/1998 Herst et al. D26/76
5,868,489 A * 2/1999 Fuller et al. 362/249.01
D424,732 S * 5/2000 Cece D26/76
D511,852 S * 11/2005 Benensohn D26/76
D563,019 S * 2/2008 Pfund D26/72
D564,692 S * 3/2008 Pfund D26/72
D564,694 S * 3/2008 Southern, Jr. D26/85

(57) **CLAIM**

The ornamental design for a combined light and shelf, as shown and described.

DESCRIPTION

FIG. 1 is a perspective view of a combined light and shelf showing my new design.

FIG. 2 is a top plan view thereof.

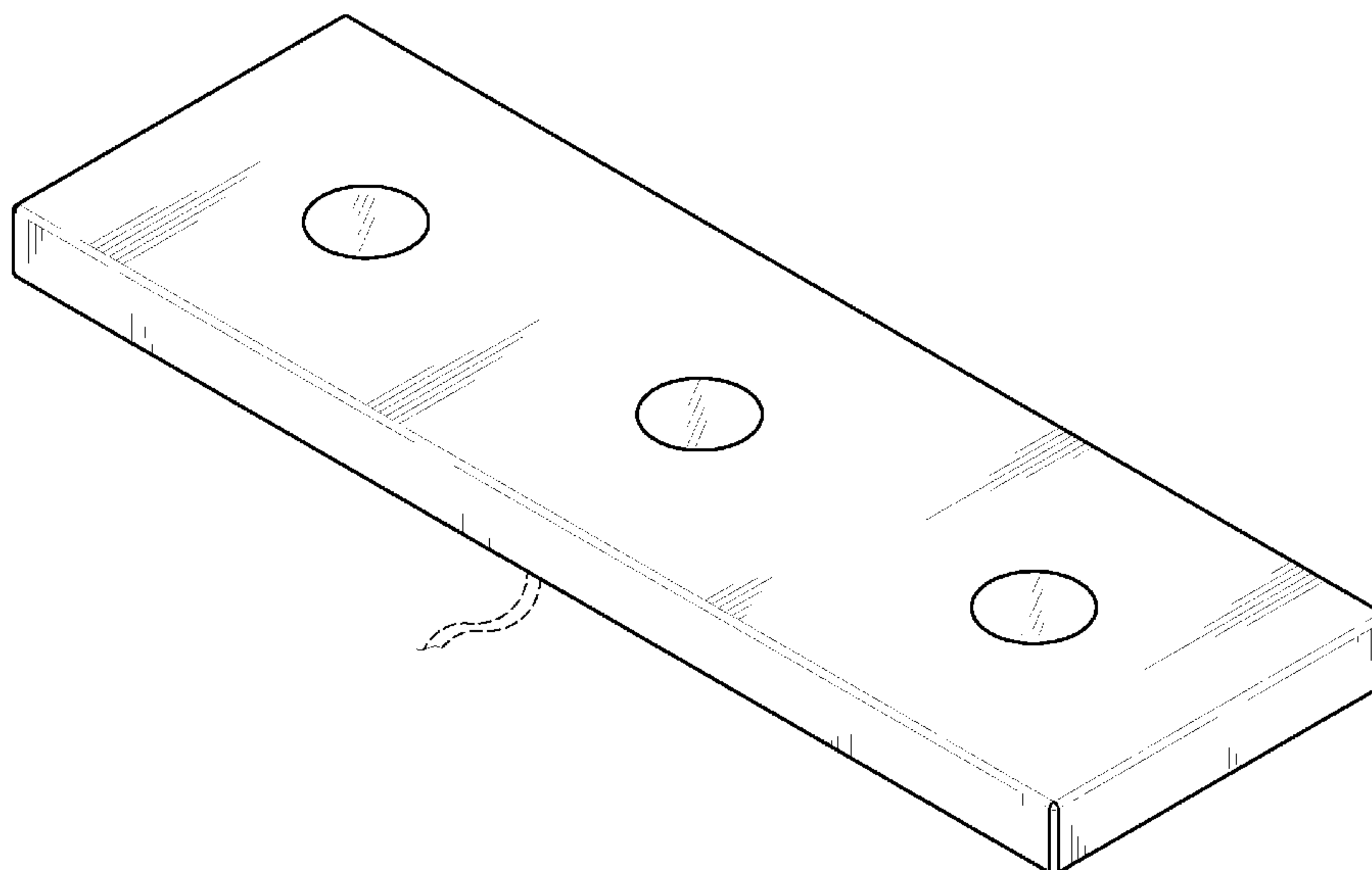
FIG. 3 is a side view thereof.

FIG. 4 is an end view thereof; and,

FIG. 5 is a bottom plan view thereof.

The broken lines in FIGS. 1 and 5 illustrate environmental elements and form no part of the claimed design.

1 Claim, 3 Drawing Sheets



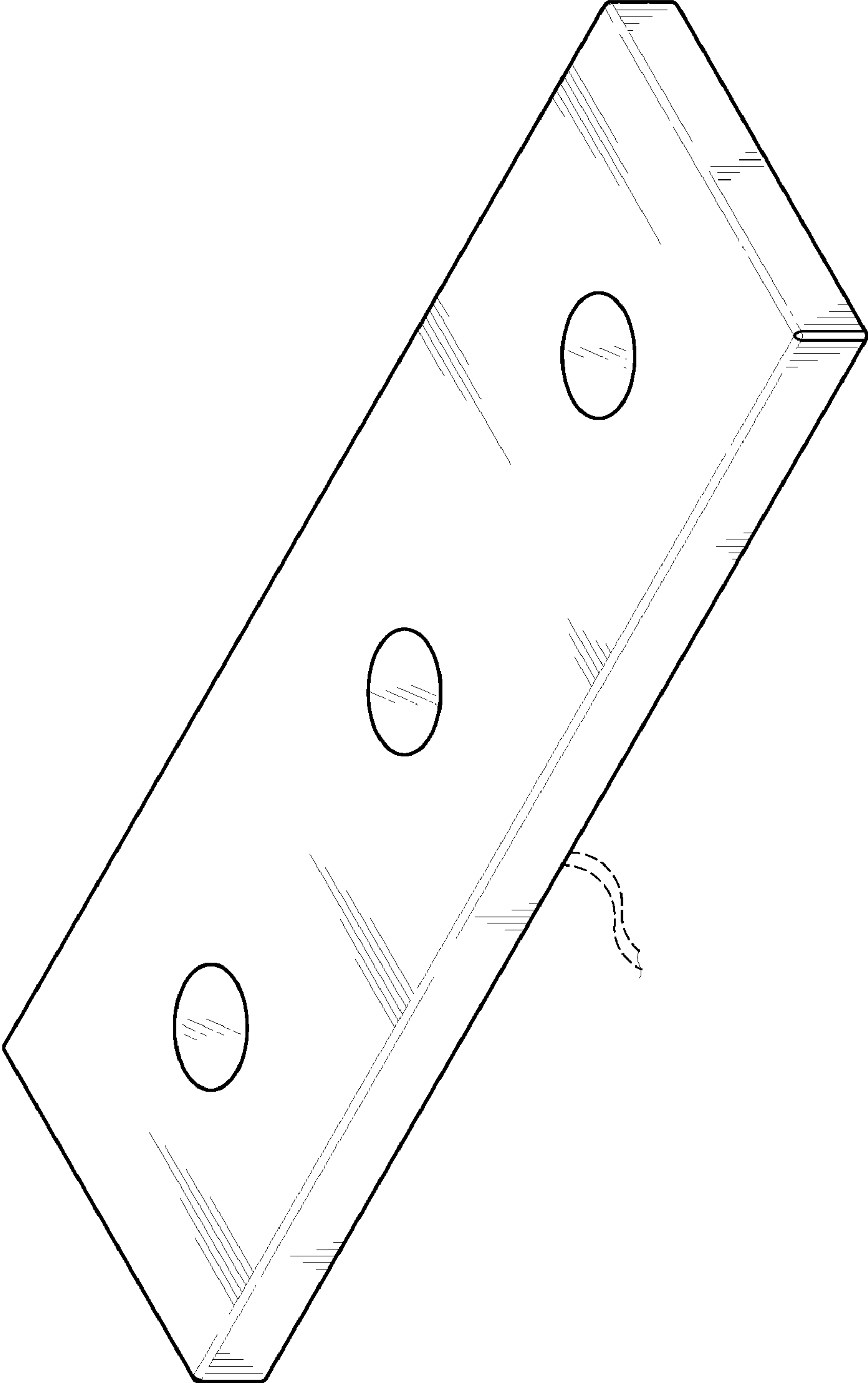


FIG. 1

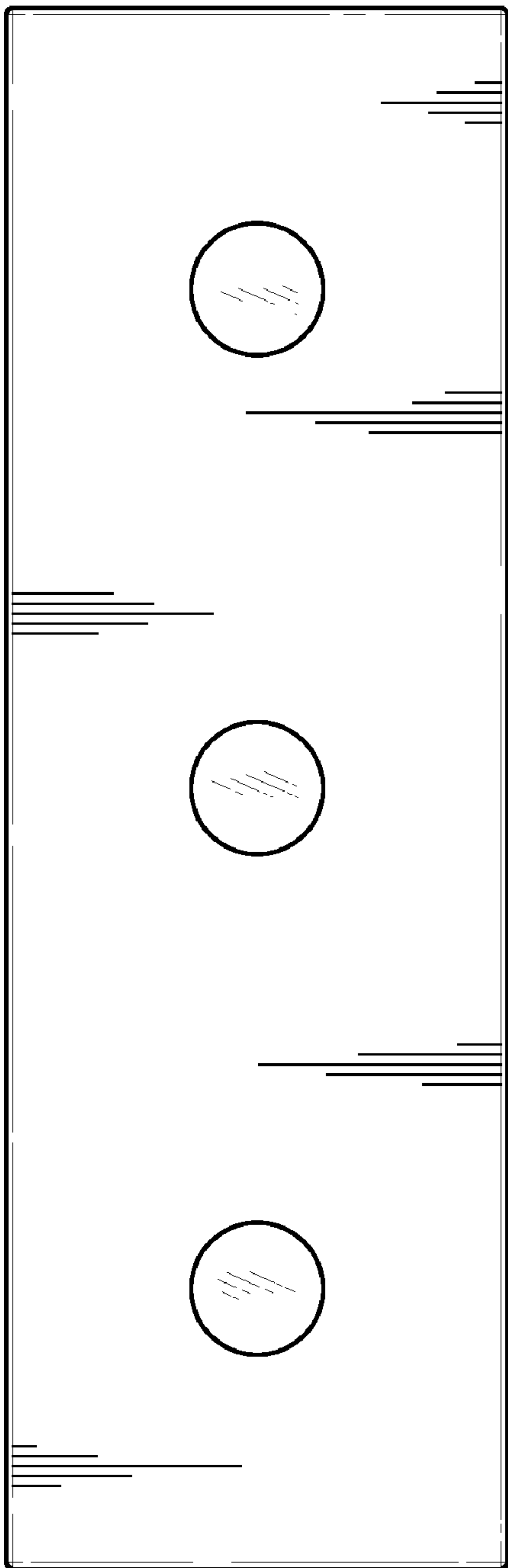


FIG. 2

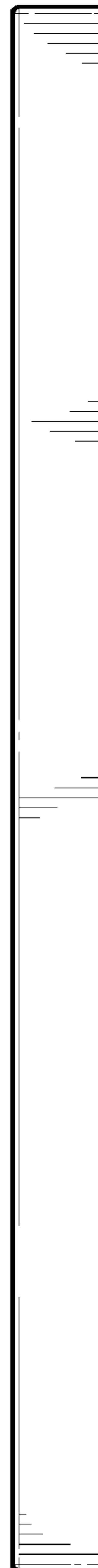


FIG. 3

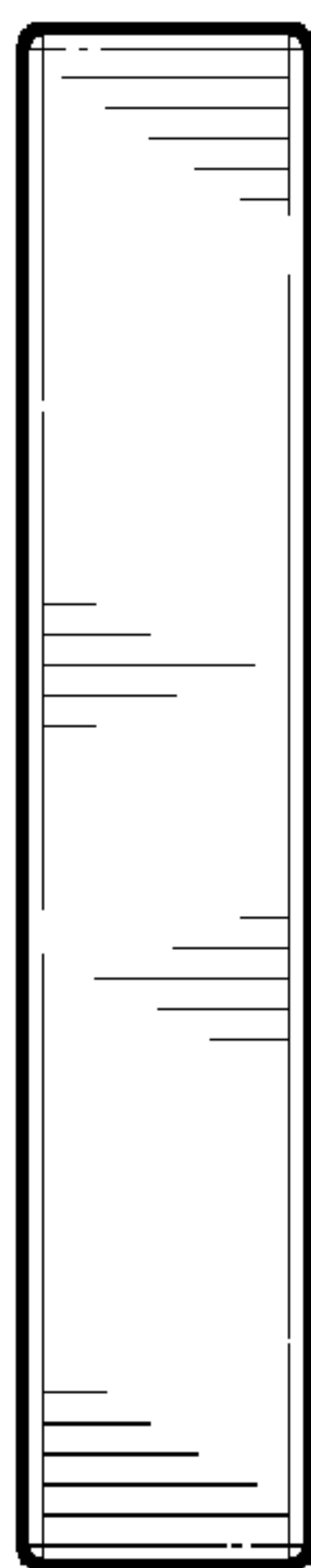


FIG. 4

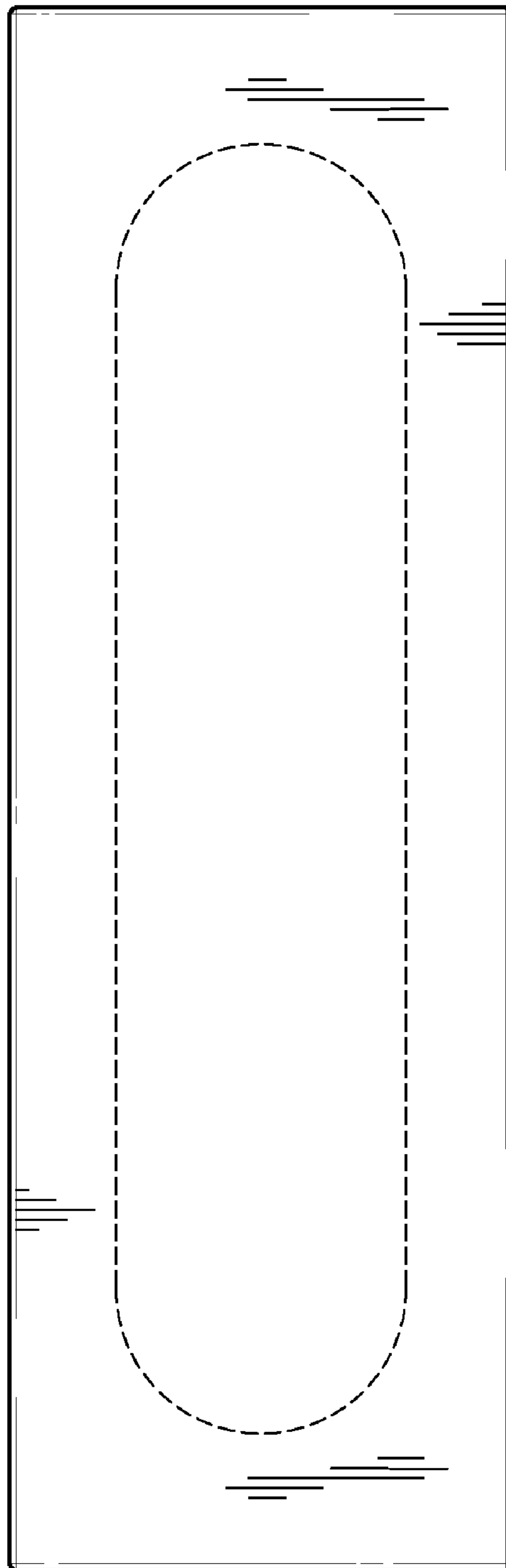


FIG. 5