

US00D595886S

(12) **United States Design Patent**
Lodhie

(10) **Patent No.:** **US D595,886 S**
(45) **Date of Patent:** **** Jul. 7, 2009**

(54) **CIRCULAR LIGHT STRUCTURE**

D261,060 S * 9/1981 Wotowiec et al. D26/93
4,655,520 A 4/1987 Cummings
4,727,289 A 2/1988 Uchida

(76) Inventor: **Pervaiz Lodhie**, 12 Upper Blackwater Canyon Rd., Rolling Hills, CA (US) 90274

(**) Term: **14 Years**

(Continued)

(21) Appl. No.: **29/322,471**

OTHER PUBLICATIONS

(22) Filed: **Aug. 5, 2008**

Largent area light #SL VT-H3 shown on pp. 3 and 4 of the Largent Architectural Area Lighting Brochure created Jun. 15, 2005. © 2006.*

Related U.S. Application Data

(Continued)

(62) Division of application No. 29/302,219, filed on Jan. 11, 2008, now Pat. No. Des. 580,580.

Primary Examiner—Clare E Heflin

(51) **LOC (9) Cl.** **26-05**

(74) *Attorney, Agent, or Firm*—Alonzo & Associates; Arlyn Alonzo

(52) **U.S. Cl.** **D26/71**

(58) **Field of Classification Search** D26/67-71,
D26/87, 92, 79; 362/145, 249, 252, 431,
362/432

(57) **CLAIM**

See application file for complete search history.

The ornamental design for a circular light structure, as shown and described.

(56) **References Cited**

DESCRIPTION

U.S. PATENT DOCUMENTS

- 1,800,078 A 4/1931 Johnson
- 1,838,789 A 12/1931 Schepperle
- 2,260,473 A 10/1941 Minchillo
- 2,408,643 A 10/1946 Hoy
- D173,500 S * 11/1954 Kruger et al. D26/79
- D191,128 S * 8/1961 Curtin et al. D26/67
- D192,125 S * 1/1962 Lasker D26/67
- D195,310 S 5/1963 Zagel
- 3,156,418 A * 11/1964 Jablonski et al. 362/431
- 3,183,346 A 5/1965 Spaulding et al.
- 3,474,381 A 10/1969 Baldwin
- 3,539,801 A 11/1970 Bobrick
- 3,603,918 A 9/1971 Woertz
- 3,718,816 A 2/1973 Seelbach et al.
- 3,980,368 A 9/1976 Fremont
- 4,190,309 A 2/1980 Glass
- 4,211,955 A 7/1980 Ray
- 4,214,295 A 7/1980 Morton
- 4,217,018 A 8/1980 Yoshida et al.
- D259,961 S * 7/1981 Wotowiec et al. D26/26

FIG. 1 is a side view parallel to the axis of the support arms of an exemplary circular light structure;

FIG. 2 is a side view perpendicular to the axis of the support arms thereof;

FIG. 3 is a top plan view thereof;

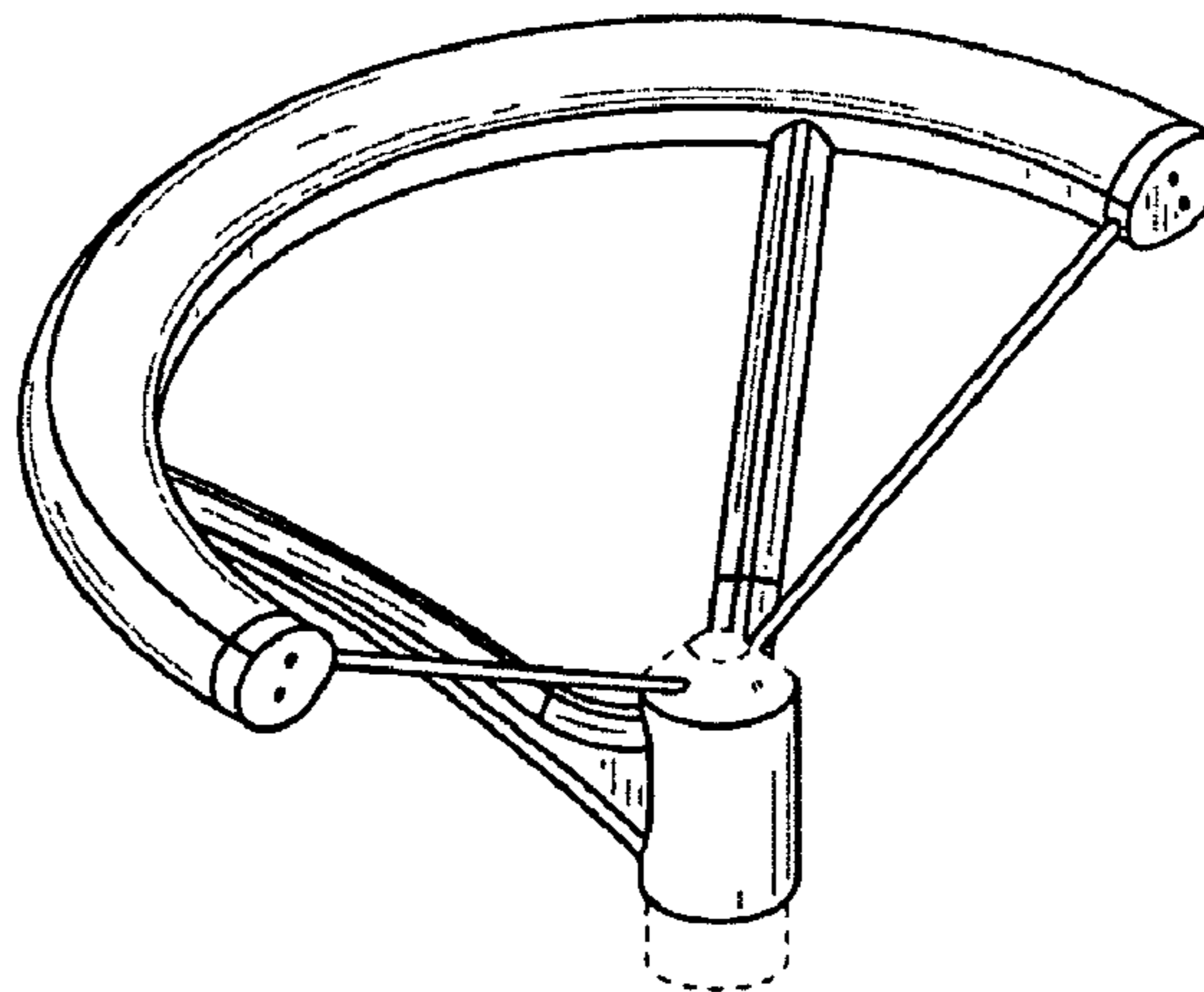
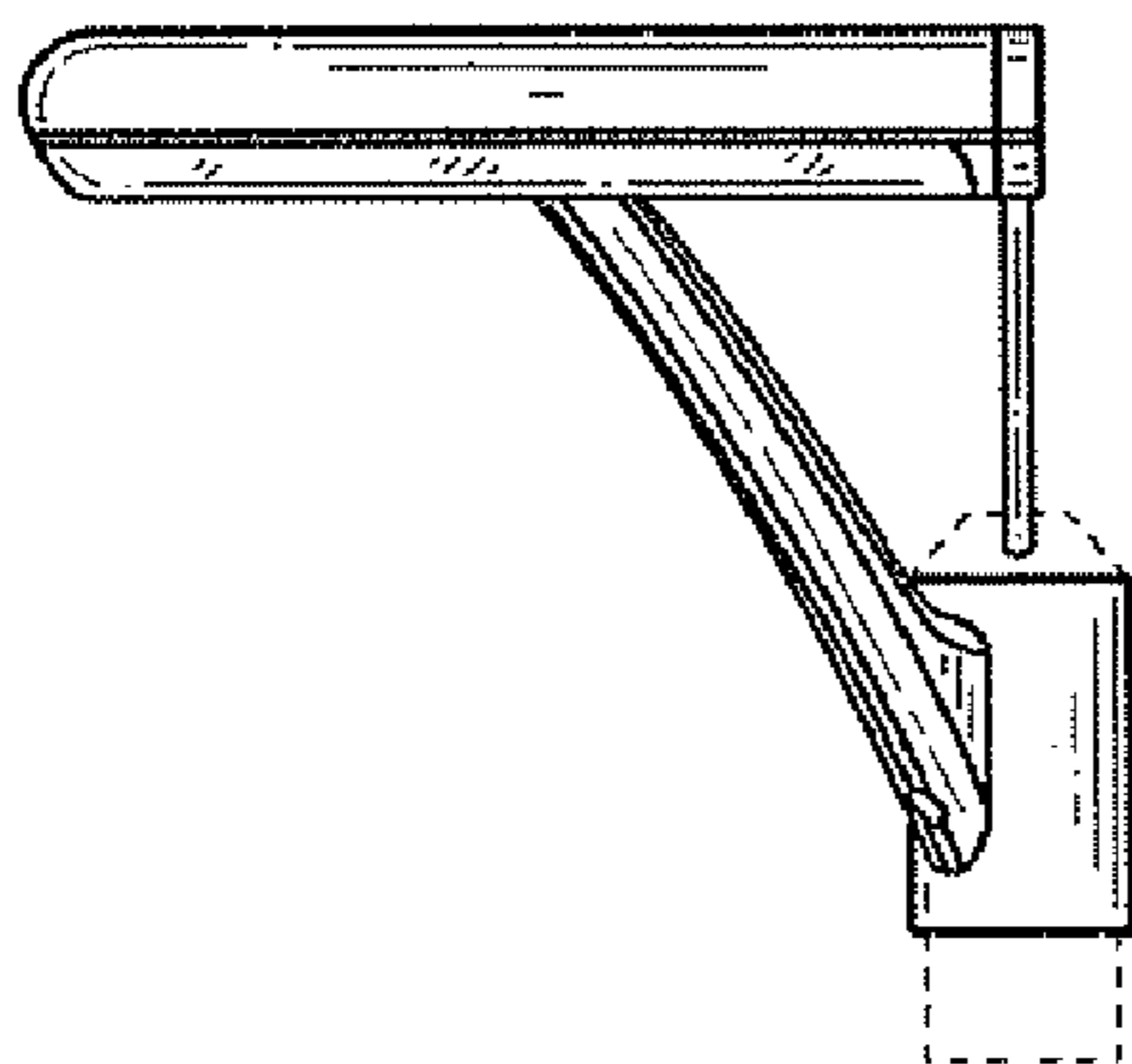
FIG. 4 is a bottom plan view thereof;

FIG. 5 is a bottom perspective view thereof; and,

FIG. 6 is a top perspective view thereof.

The stem below the center post of the circular light structure of FIGS. 1, 2, 5 and 6, the interior of the center post of the circular light structure of FIGS. 3-6, the cap at the upper end of the center post of the circular light structure of FIGS. 1-2, 5 and 6 (all shown in phantom) do not form a part of the design.

1 Claim, 3 Drawing Sheets



U.S. PATENT DOCUMENTS

4,729,742 A 3/1988 Onishi et al.
 4,772,869 A 9/1988 Grammas et al.
 4,812,814 A 3/1989 Elliott
 4,868,719 A 9/1989 Kouchi et al.
 4,907,361 A 3/1990 Villard
 4,965,457 A 10/1990 Wrobel
 5,055,984 A 10/1991 Hung et al.
 D326,532 S 5/1992 Hume et al.
 5,119,174 A 6/1992 Chen
 5,151,679 A 9/1992 Dimmick
 5,152,601 A 10/1992 Ferng
 5,154,509 A 10/1992 Wulfman et al.
 5,160,200 A 11/1992 Cheselske
 5,160,201 A 11/1992 Wrobel
 5,193,904 A 3/1993 Rist et al.
 5,224,773 A 7/1993 Arimura
 5,237,490 A 8/1993 Ferng
 5,241,457 A 8/1993 Sasajima et al.
 5,303,124 A 4/1994 Wrobel
 5,353,209 A 10/1994 Foottit
 5,390,092 A 2/1995 Lin
 5,400,228 A 3/1995 Kao
 5,410,453 A 4/1995 Ruskouski
 5,453,729 A 9/1995 Chu
 5,526,236 A 6/1996 Burnes et al.
 5,567,036 A 10/1996 Theobald et al.
 5,577,832 A 11/1996 Lodhie
 5,580,161 A * 12/1996 Vakil et al. 362/260
 5,585,783 A 12/1996 Hall
 5,588,740 A 12/1996 Kasuga
 5,599,086 A 2/1997 Dutta
 5,629,607 A 5/1997 Callahan et al.
 5,647,658 A 7/1997 Ziadi
 5,661,374 A 8/1997 Cassidy et al.
 5,661,645 A 8/1997 Hochstein
 D385,051 S 10/1997 Wu
 5,702,177 A 12/1997 Lin
 D388,726 S 1/1998 Wu
 5,710,560 A 1/1998 Cohn
 5,765,940 A 6/1998 Levy et al.
 5,772,315 A 6/1998 Shen
 5,793,164 A 8/1998 Authier
 5,803,585 A 9/1998 Littman et al.
 5,806,965 A 9/1998 Deese
 D402,772 S 12/1998 Lodhie
 5,842,297 A 12/1998 Tung
 D404,506 S 1/1999 Lodhie
 5,855,268 A 1/1999 Zoladz, Jr.
 D405,201 S 2/1999 Lodhie
 5,887,968 A 3/1999 Logan
 5,921,660 A 7/1999 Yu
 5,929,788 A 7/1999 Vukosic
 5,947,588 A 9/1999 Huang
 5,964,051 A 10/1999 Loeber et al.
 5,984,494 A 11/1999 Chapman et al.
 6,011,493 A 1/2000 Bushell et al.

6,013,985 A 1/2000 Green et al.
 D434,510 S 11/2000 Lodhie
 6,152,568 A 11/2000 Baba et al.
 D441,115 S * 4/2001 Ewing D26/68
 6,220,722 B1 4/2001 Begemann
 6,227,679 B1 5/2001 Zhang et al.
 6,234,648 B1 5/2001 Borner et al.
 6,283,612 B1 9/2001 Hunter
 6,336,613 B1 1/2002 Roth
 6,345,902 B2 2/2002 Ohkohdo et al.
 6,371,636 B1 4/2002 Wesson
 6,457,270 B1 10/2002 Stark, III et al.
 6,457,410 B1 10/2002 Zerillo
 6,550,949 B1 4/2003 Bauer et al.
 6,580,228 B1 6/2003 Chen et al.
 6,598,996 B1 7/2003 Lodhie
 6,659,622 B2 12/2003 Katogi et al.
 6,659,623 B2 12/2003 Friend
 6,659,632 B2 12/2003 Chen
 6,700,502 B1 3/2004 Pederson
 6,722,771 B1 4/2004 Stephens
 6,768,047 B2 7/2004 Chang et al.
 6,814,459 B2 11/2004 Pederson
 D504,536 S * 4/2005 Emory et al. D26/67
 6,942,361 B1 9/2005 Kishimura et al.
 7,063,451 B2 6/2006 Shen
 7,111,957 B2 9/2006 Bernhart et al.
 7,234,832 B2 6/2007 Lippis et al.
 7,237,932 B2 7/2007 Ter Hovhannissian
 2002/0163805 A1 11/2002 Hubbell et al.
 2002/0171543 A1 11/2002 Abbe et al.
 2002/0196707 A1 12/2002 Kitchin et al.
 2003/0095404 A1 5/2003 Becks et al.
 2003/0102810 A1 6/2003 Cross et al.
 2004/0012959 A1 1/2004 Robertson et al.
 2004/0062041 A1 4/2004 Cross et al.
 2006/0109661 A1 5/2006 Coushaine et al.

OTHER PUBLICATIONS

U.S. Appl. No. 11/928,349, filed Oct. 30, 2007, Lodhie.
 U.S. Appl. No. 29/302,219, filed Jan. 11, 2008, Lodhie.
 U.S. Appl. No. 29/323,210, filed Aug. 20, 2008, Lodhie.
 U.S. Appl. No. 29/324,267, filed Sep. 9, 2008, Lodhie.
 U.S. Appl. No. 11/924,496, filed Oct. 25, 2007, Lodhie.
 U.S. Appl. No. 29/302,184, filed Jan. 11, 2008, Lodhie.
 U.S. Appl. No. 12/137,337, filed Jun. 11, 2008, Lodhie.
 U.S. Appl. No. 29/318,600, filed Jun. 10, 2008, Lodhie.
 U.S. Appl. No. 29/318,602, filed Jun. 10, 2008, Lodhie.
 Four (4) photographs of an LED light fixture that is commercially available.
 LED light fixtures available on the following website: www.hollysolar.com.
 LED light fixtures available on the following website: www.geblighting.com.
 U.S. Appl. No. 29/318,604, filed Jun. 10, 2008, Lodhie.

* cited by examiner

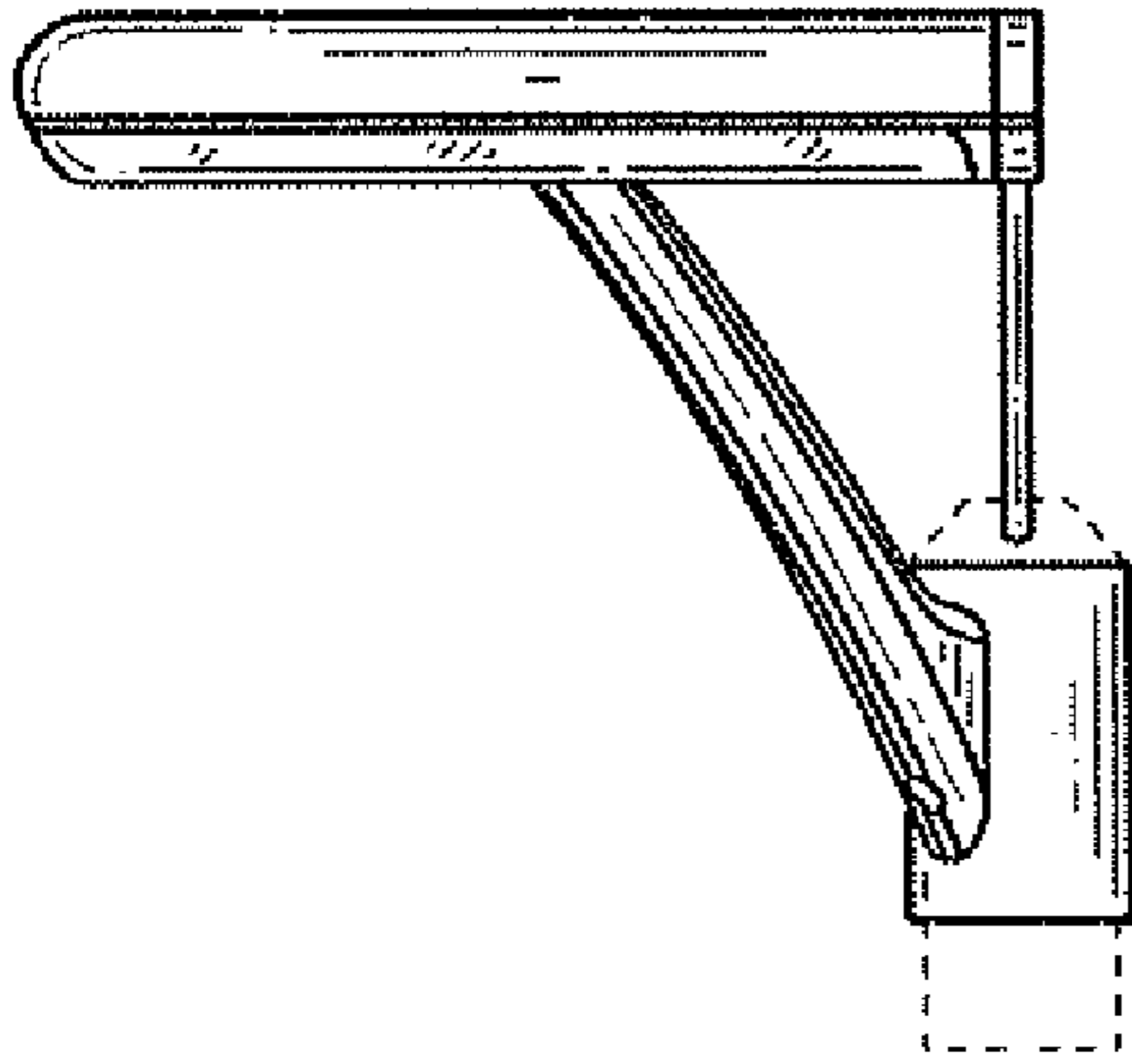


FIG. 1

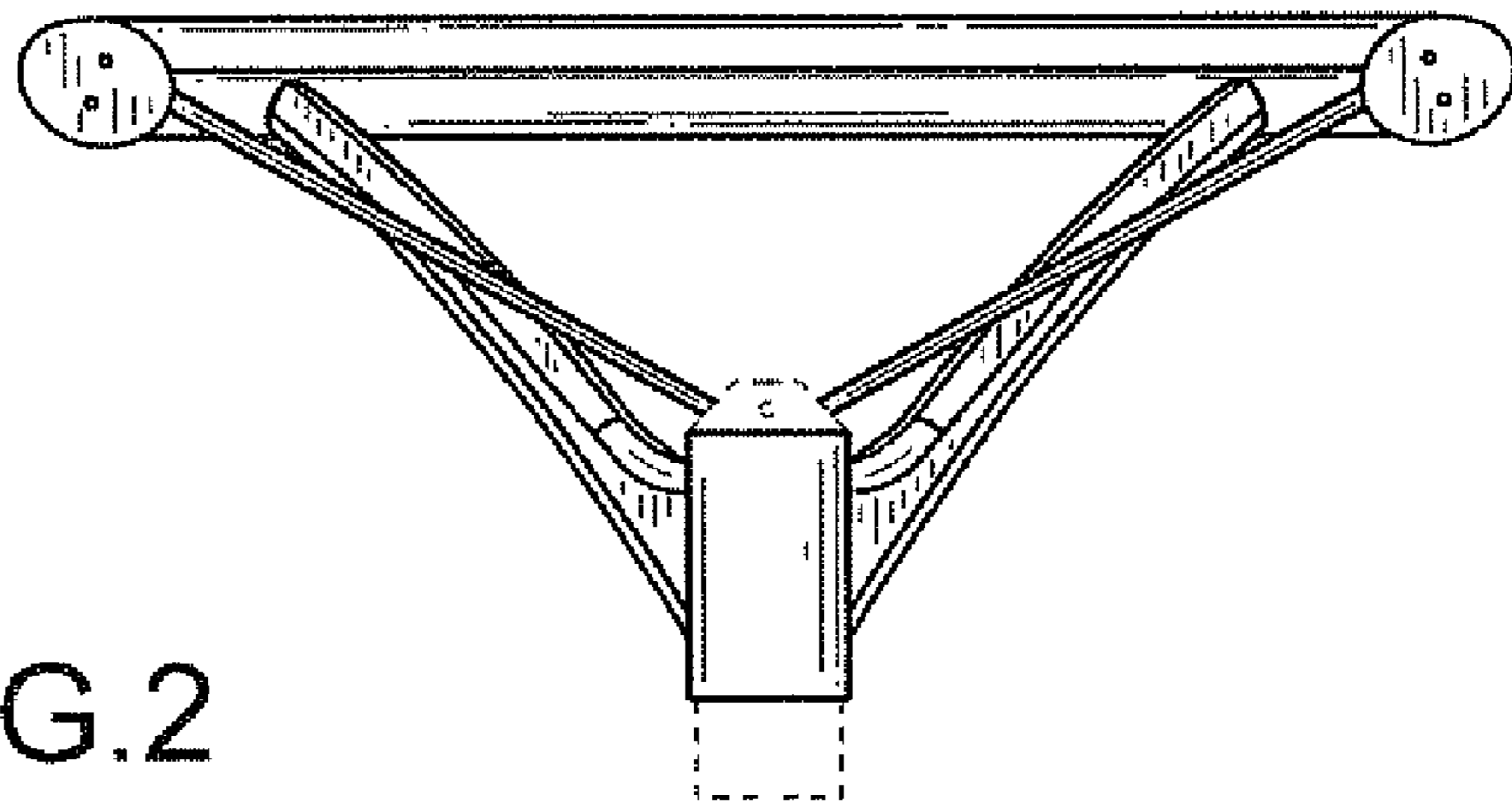


FIG. 2

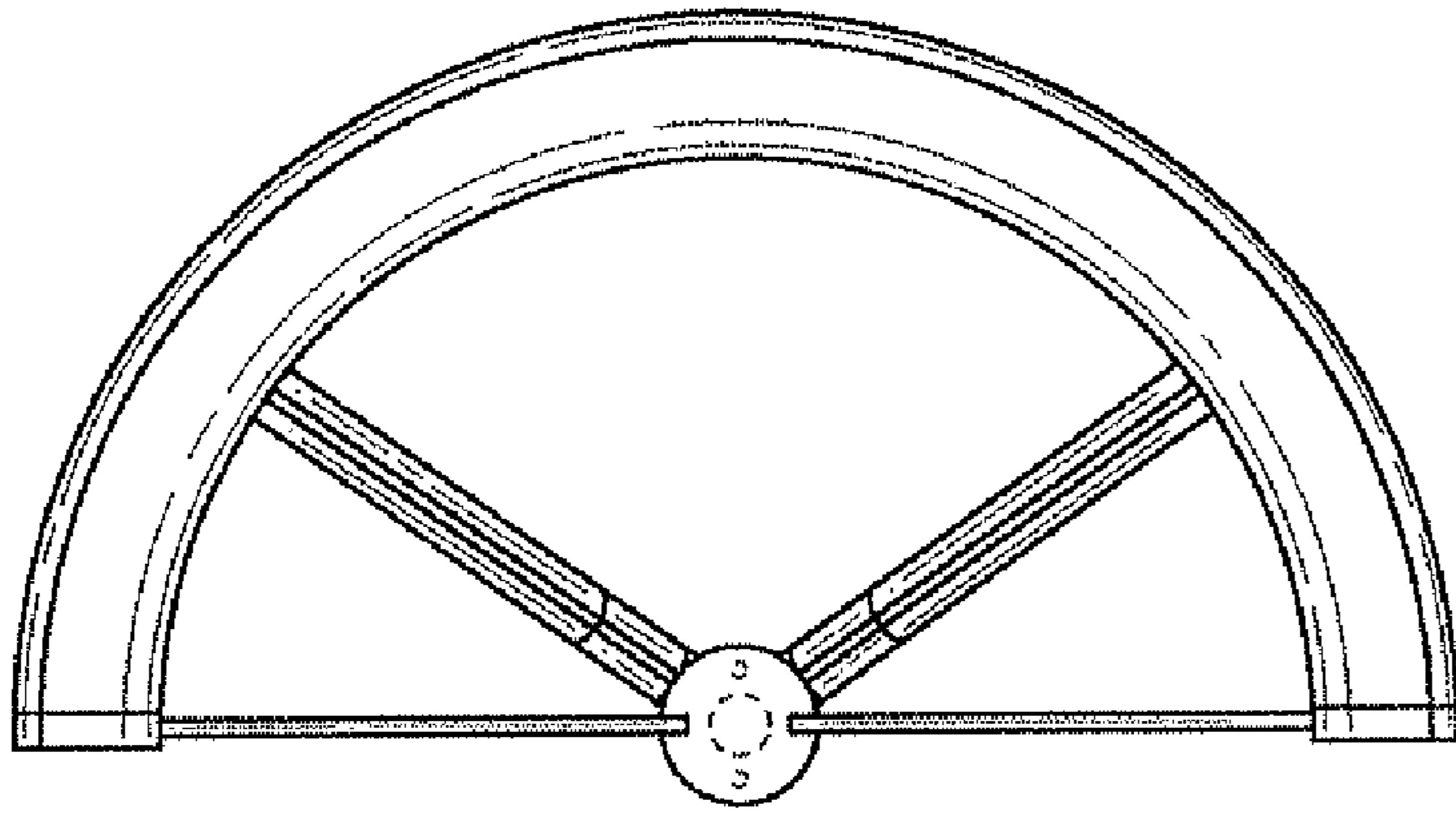


FIG.3

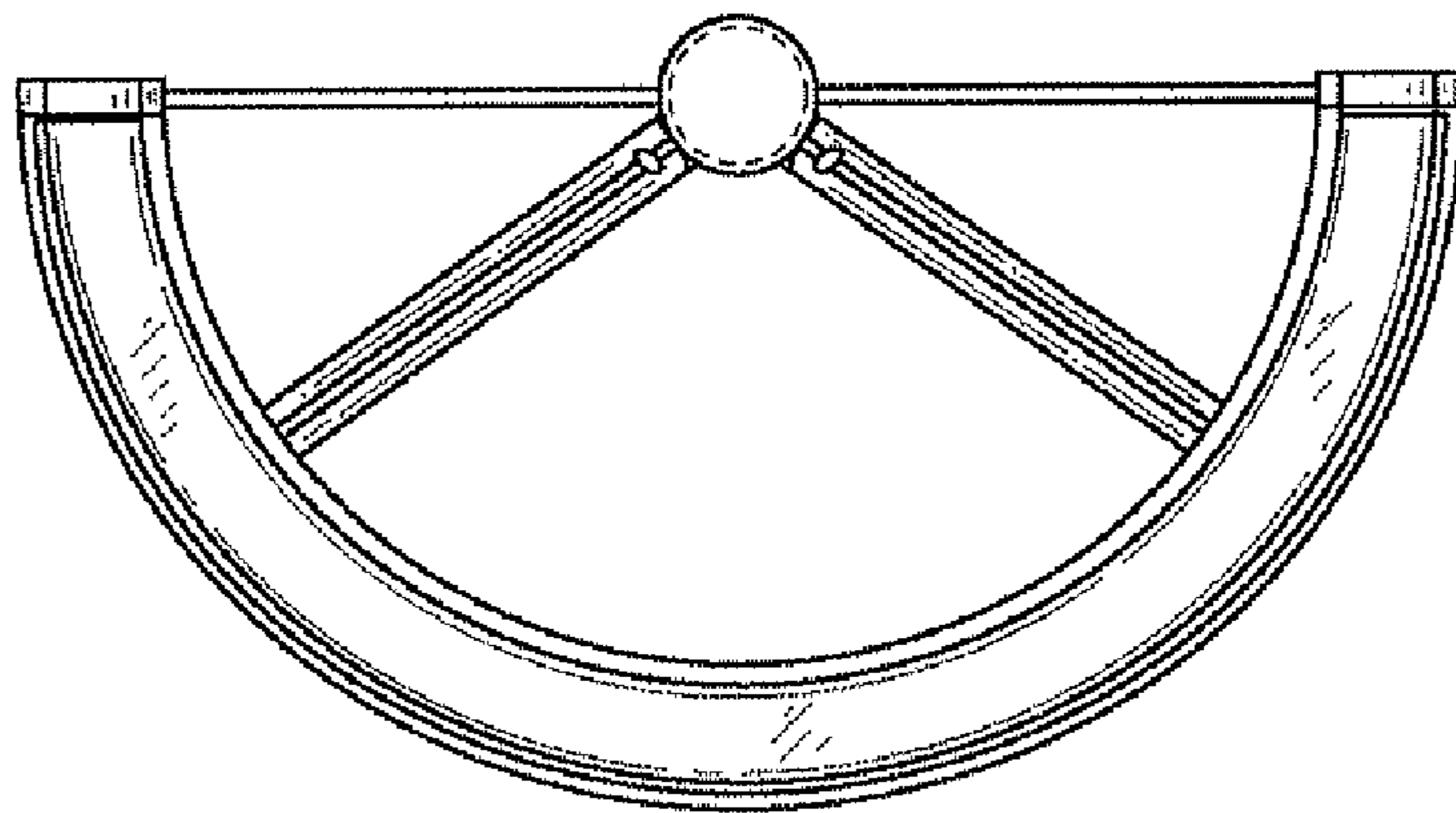


FIG.4

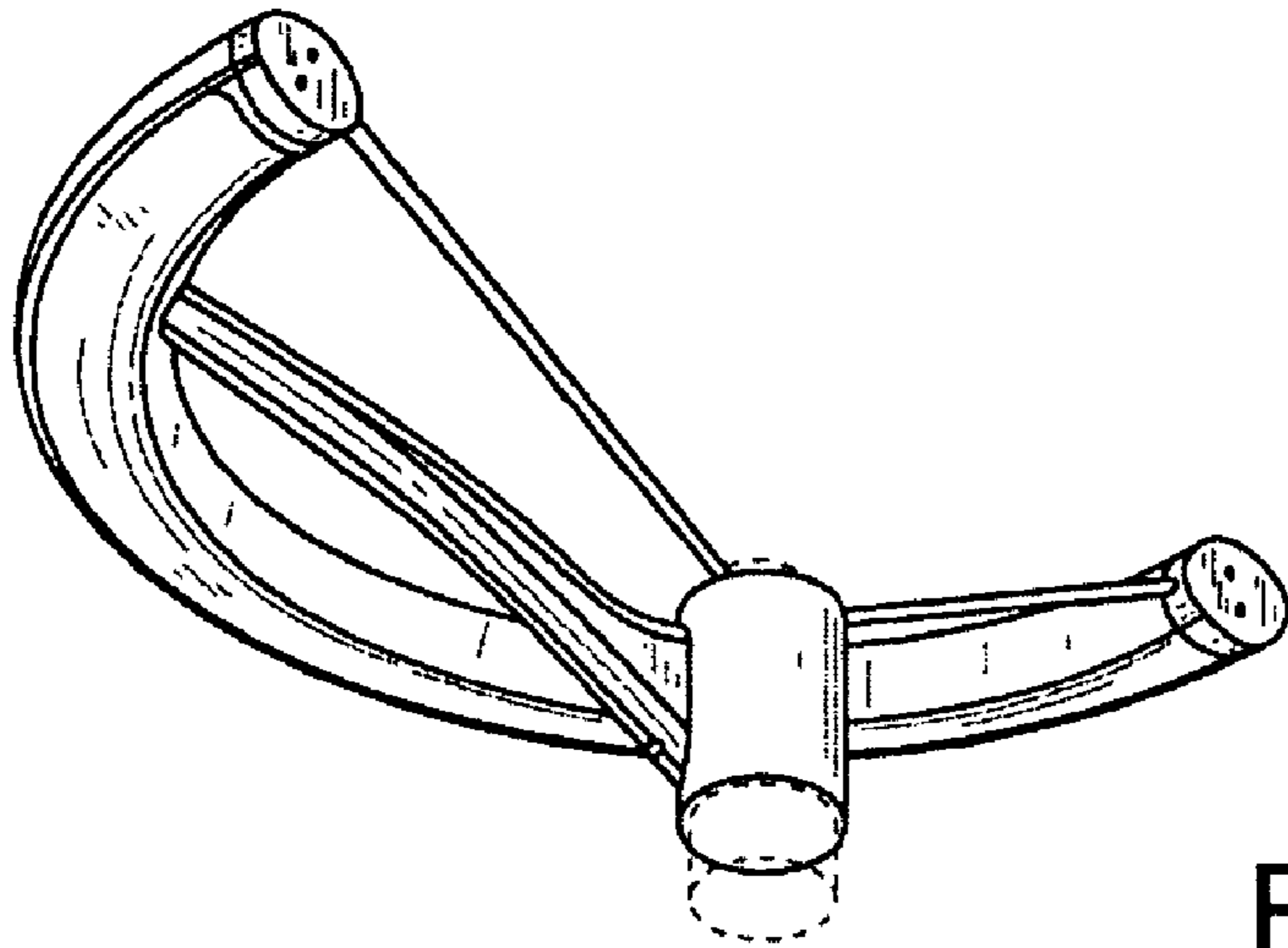


FIG. 5

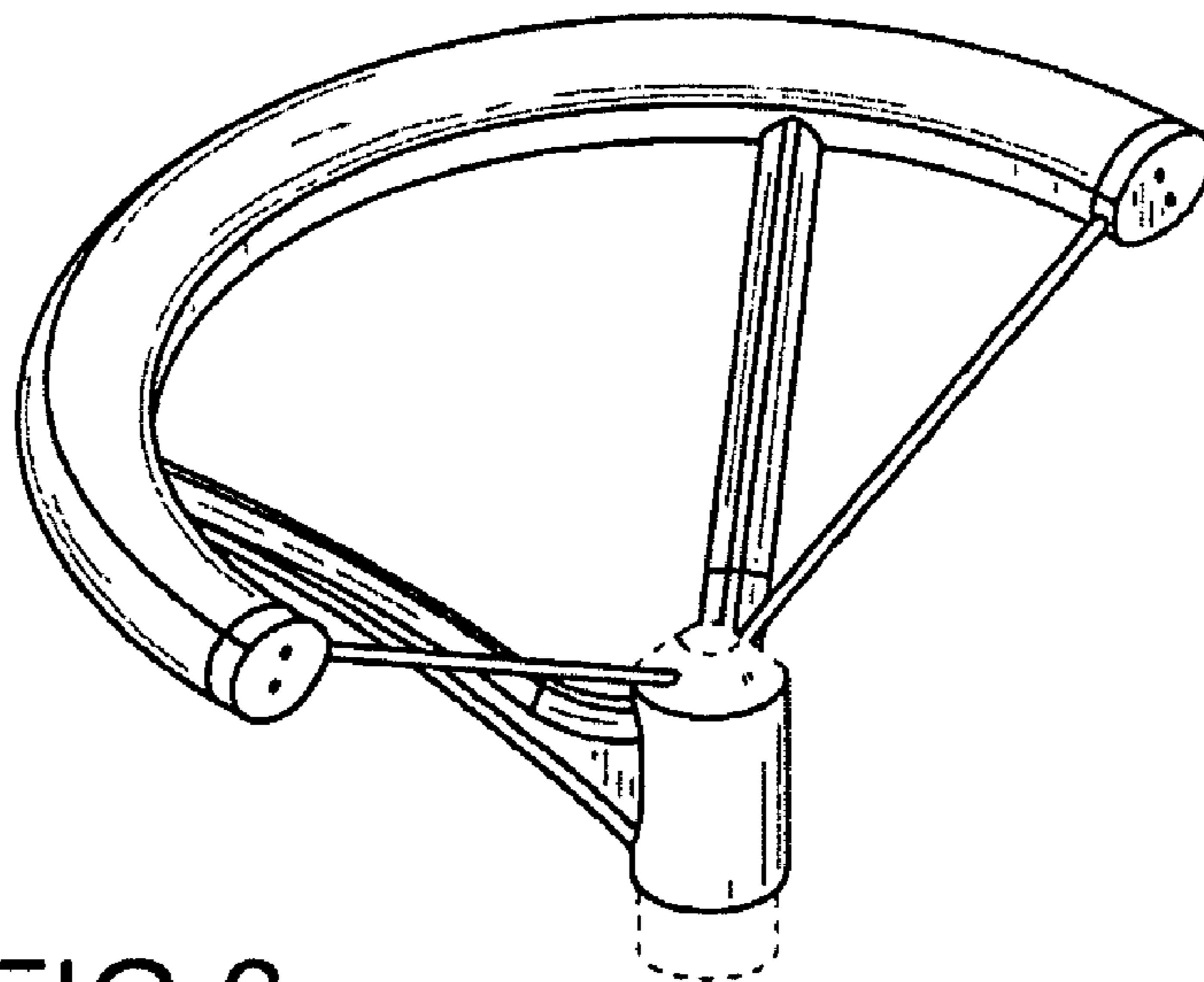


FIG. 6