



US00D595884S

(12) **United States Design Patent**  
**Liao et al.**

(10) **Patent No.:** **US D595,884 S**  
(45) **Date of Patent:** **\*\* Jul. 7, 2009**

(54) **BICYCLE LIGHT**

(75) Inventors: **Su-Chang Liao**, Taichung (TW);  
**Di-Shun Liao**, Taichung (TW)

(73) Assignee: **S-Sun Enterprise Co., Ltd**, Taichung  
(TW)

(\*\*) Term: **14 Years**

(21) Appl. No.: **29/330,117**

(22) Filed: **Dec. 30, 2008**

(51) **LOC (9) Cl.** ..... **26-05**

(52) **U.S. Cl.** ..... **D26/60; D26/28**

(58) **Field of Classification Search** ..... D26/28,  
D26/37, 39, 60-63; 362/98, 99, 396, 473-476  
See application file for complete search history.

(56) **References Cited**

**U.S. PATENT DOCUMENTS**

|              |    |   |         |               |       |         |
|--------------|----|---|---------|---------------|-------|---------|
| D345,022     | S  | * | 3/1994  | Hamasaki      | ..... | D26/28  |
| D353,682     | S  | * | 12/1994 | Ueda          | ..... | D26/28  |
| D372,317     | S  | * | 7/1996  | Kijima        | ..... | D26/28  |
| D390,678     | S  | * | 2/1998  | Matthes       | ..... | D26/37  |
| D392,401     | S  | * | 3/1998  | Nagano        | ..... | D26/28  |
| 7,070,295    | B1 | * | 7/2006  | Lee           | ..... | 362/396 |
| D544,388     | S  | * | 6/2007  | Chisholm      | ..... | D26/60  |
| 7,293,900    | B1 | * | 11/2007 | Lee           | ..... | 362/476 |
| 2002/0057574 | A1 | * | 5/2002  | Dalton et al. | ..... | 362/473 |

**OTHER PUBLICATIONS**

Blackburn Bike Light—"Mars 3.0 Flasher". Downloaded from  
greenfishsports.com on Feb. 16, 2009.\*

Vetta Taillight #TSL-1. Downloaded from ModernBike.com on Feb.  
16, 2009.\*

Serfas Taillight #TL-2100. Downloaded from ModernBike.com on  
Feb. 16, 2009.\*

NightRider "Cherry Bomb" taillight. Downloaded from  
ModernBike.com on Feb. 16, 2009.\*

\* cited by examiner

*Primary Examiner*—Clare E Heflin

(57) **CLAIM**

The ornamental design for a bicycle light, as shown and  
described.

**DESCRIPTION**

FIG. 1 is a perspective view of a bicycle light showing my new  
design;

FIG. 2 is a front elevational view thereof;

FIG. 3 is a rear elevational view thereof;

FIG. 4 is a left side view thereof;

FIG. 5 is a right side view thereof;

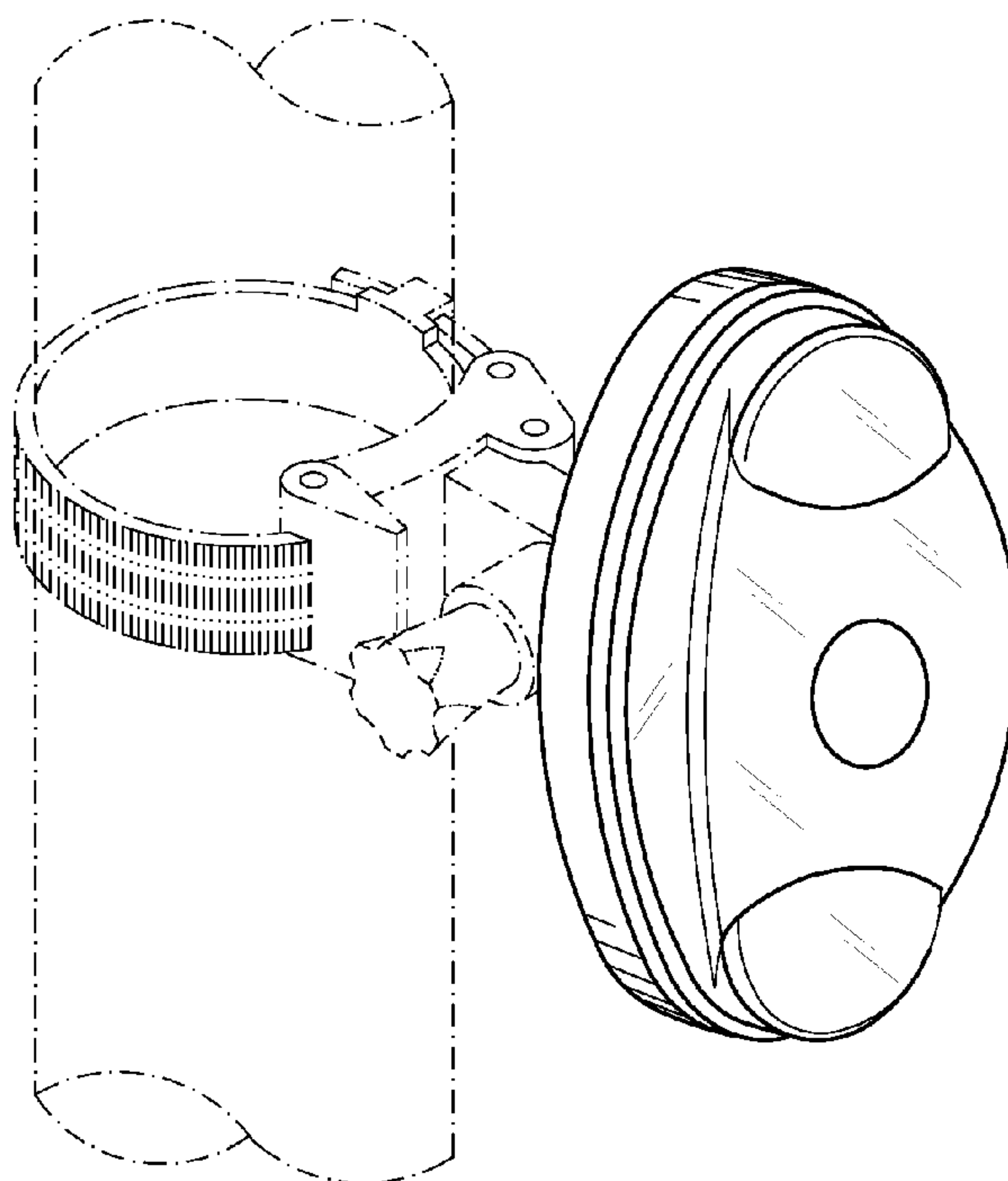
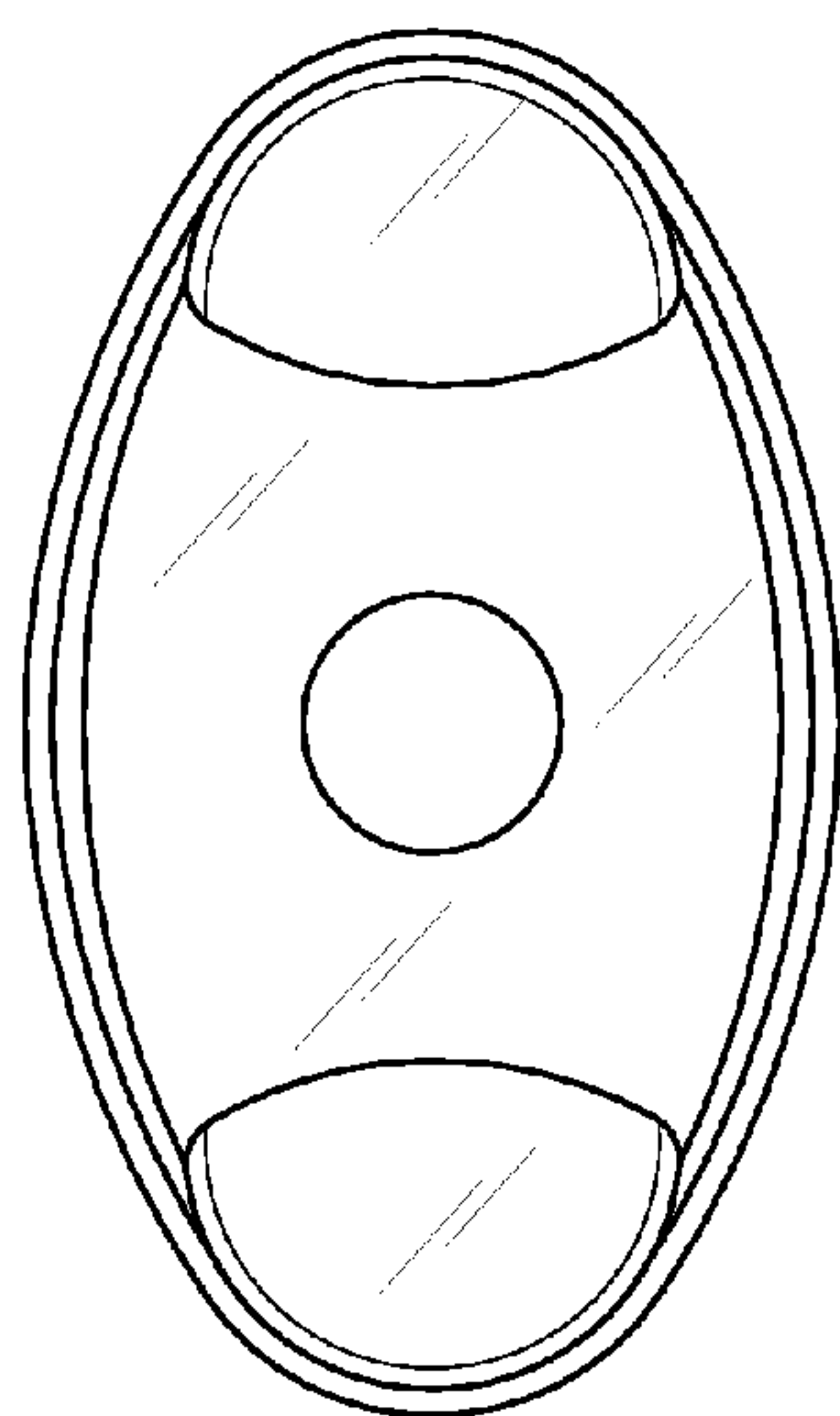
FIG. 6 is a top plan view thereof;

FIG. 7 is a bottom plan view thereof;

FIG. 8 is a view showing the application thereof, wherein the  
broken line portion is for illustrative purpose only and forms  
no part of the claimed design; and,

FIG. 9 is a view showing the application thereof, wherein the  
broken line portion is for illustrative purpose only and forms  
no part of the claimed design.

**1 Claim, 6 Drawing Sheets**



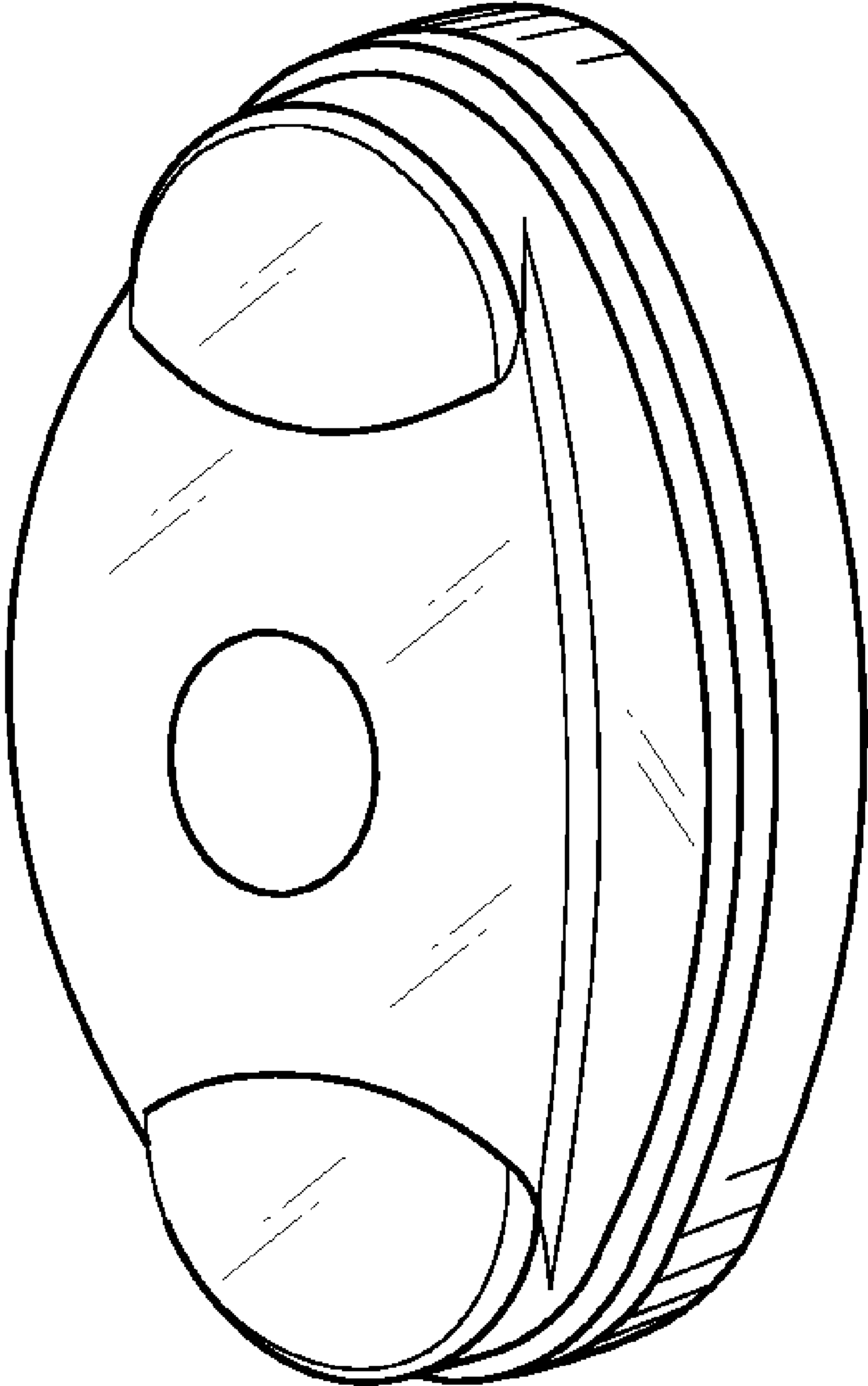


FIG. 1

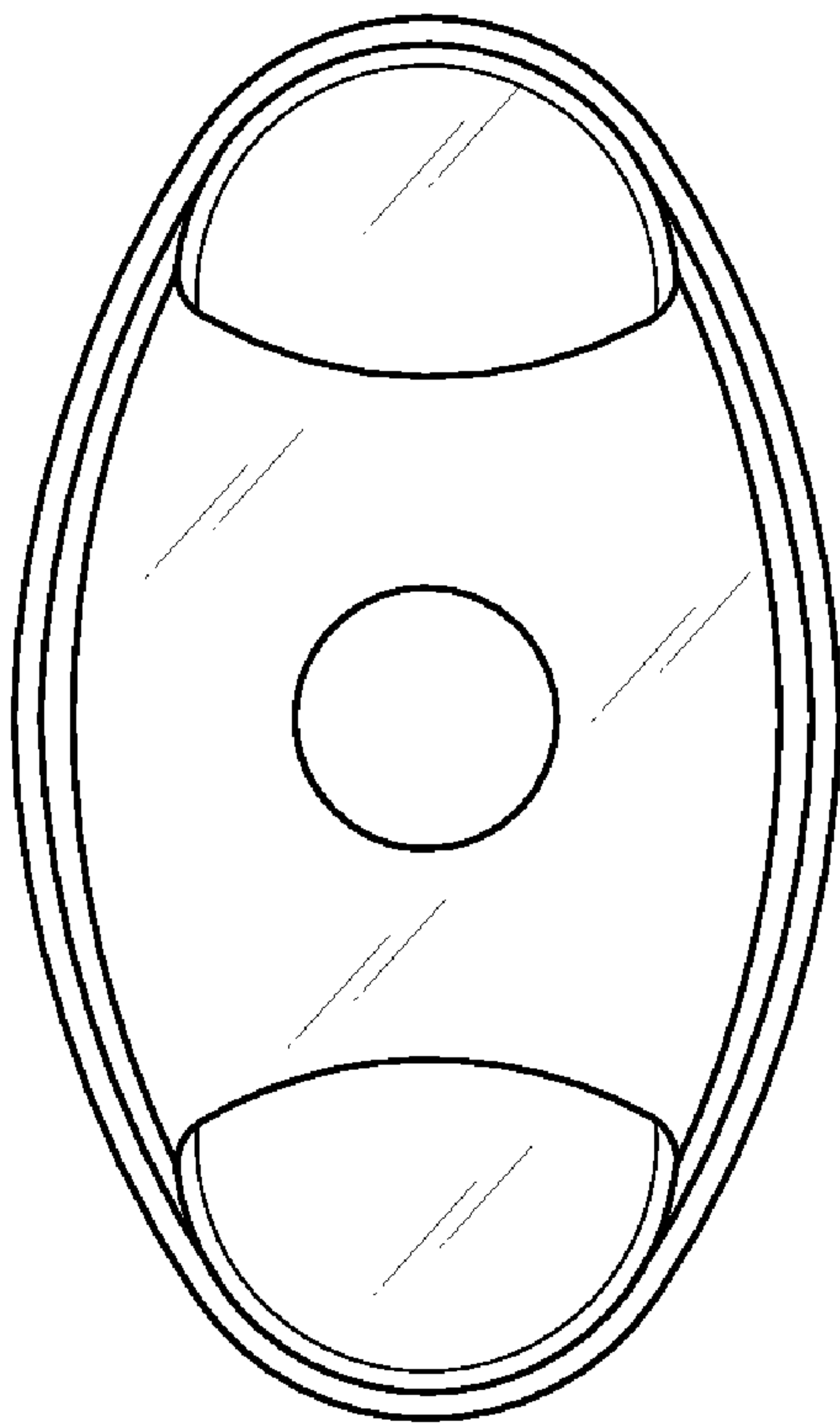


FIG. 2

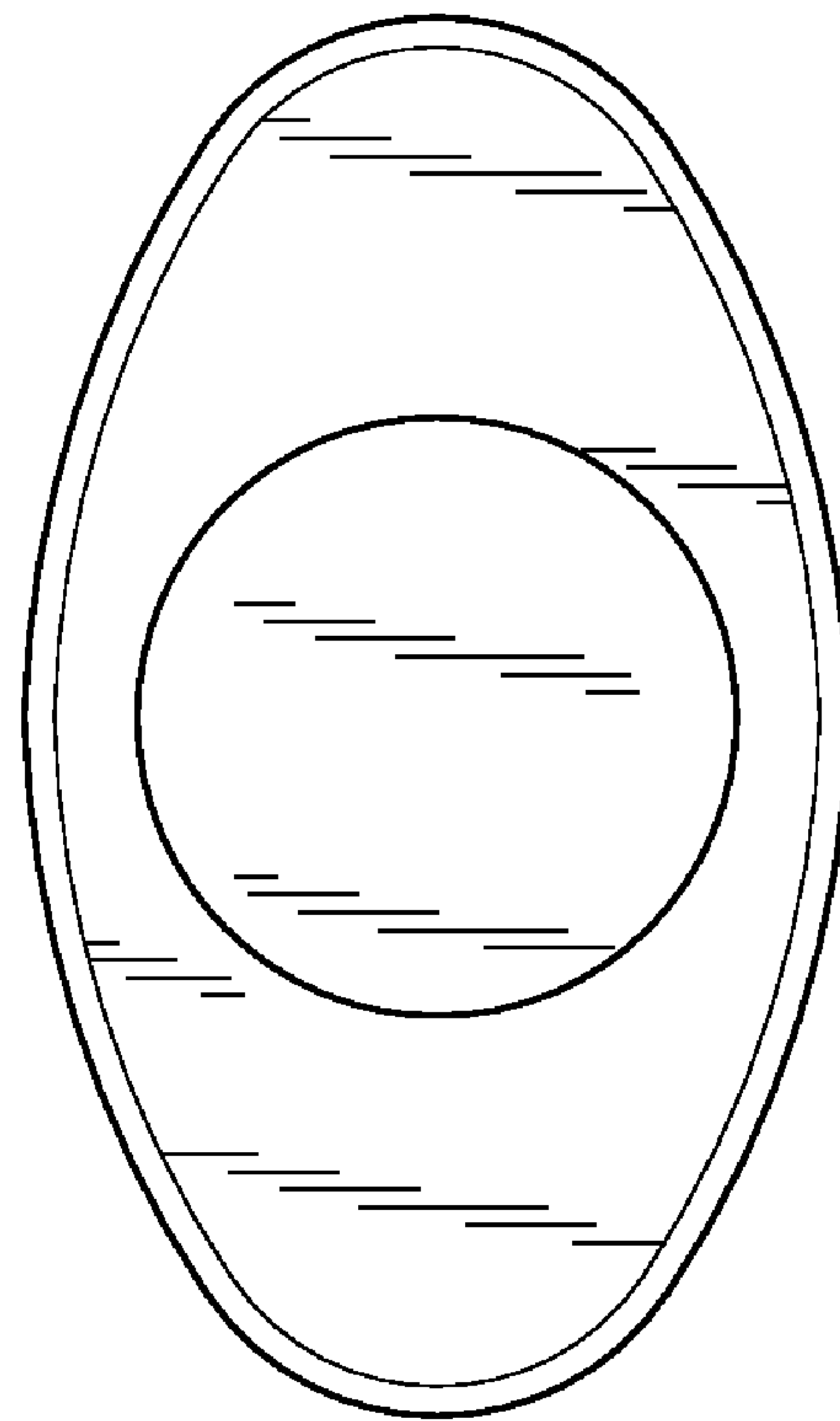


FIG. 3

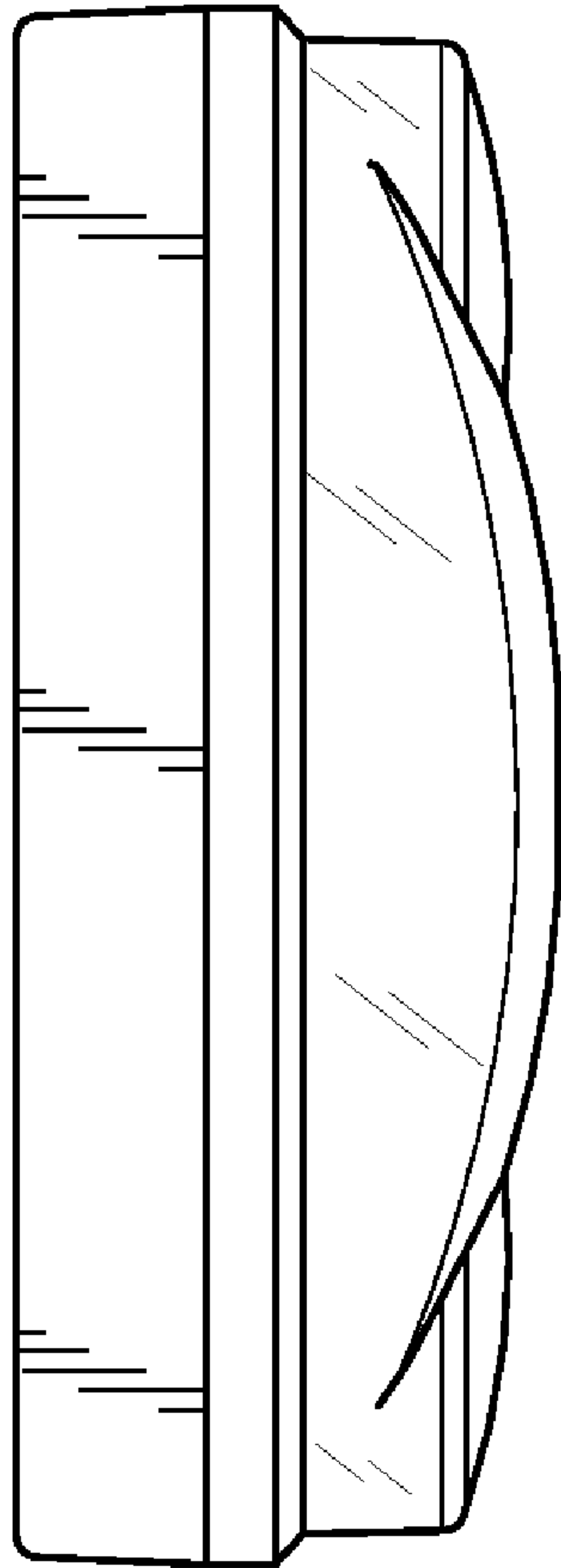


FIG. 4

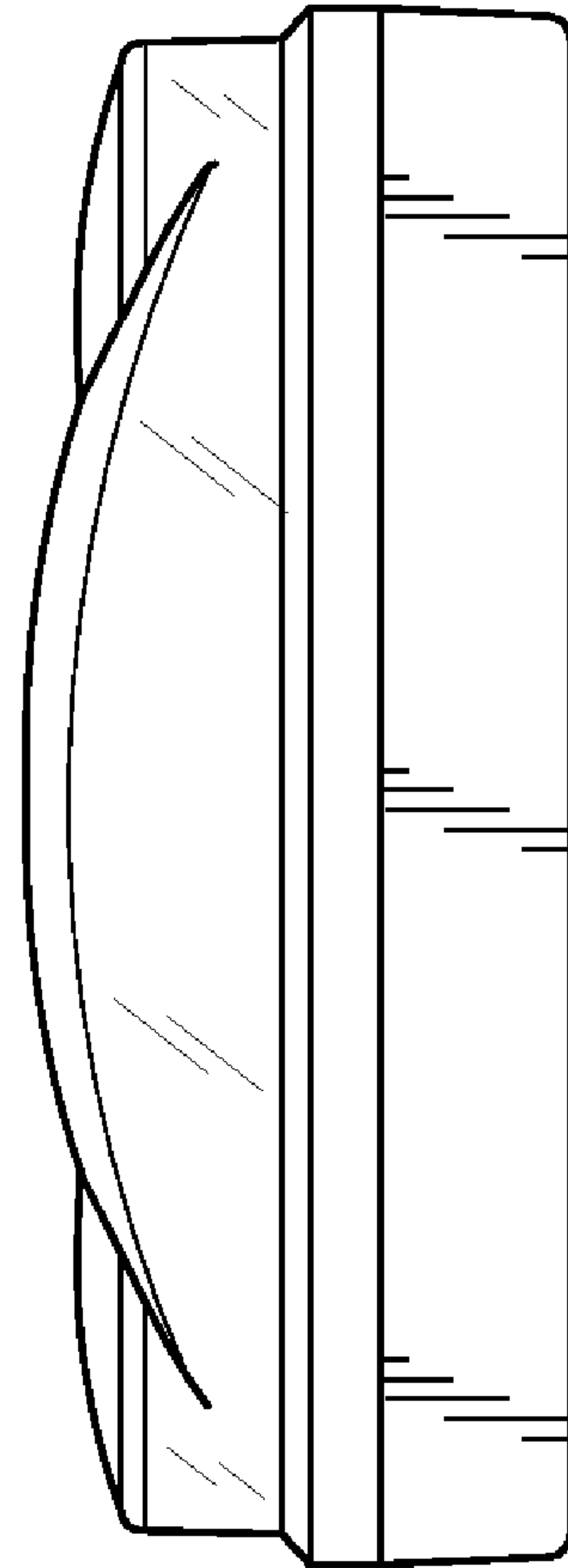


FIG. 5

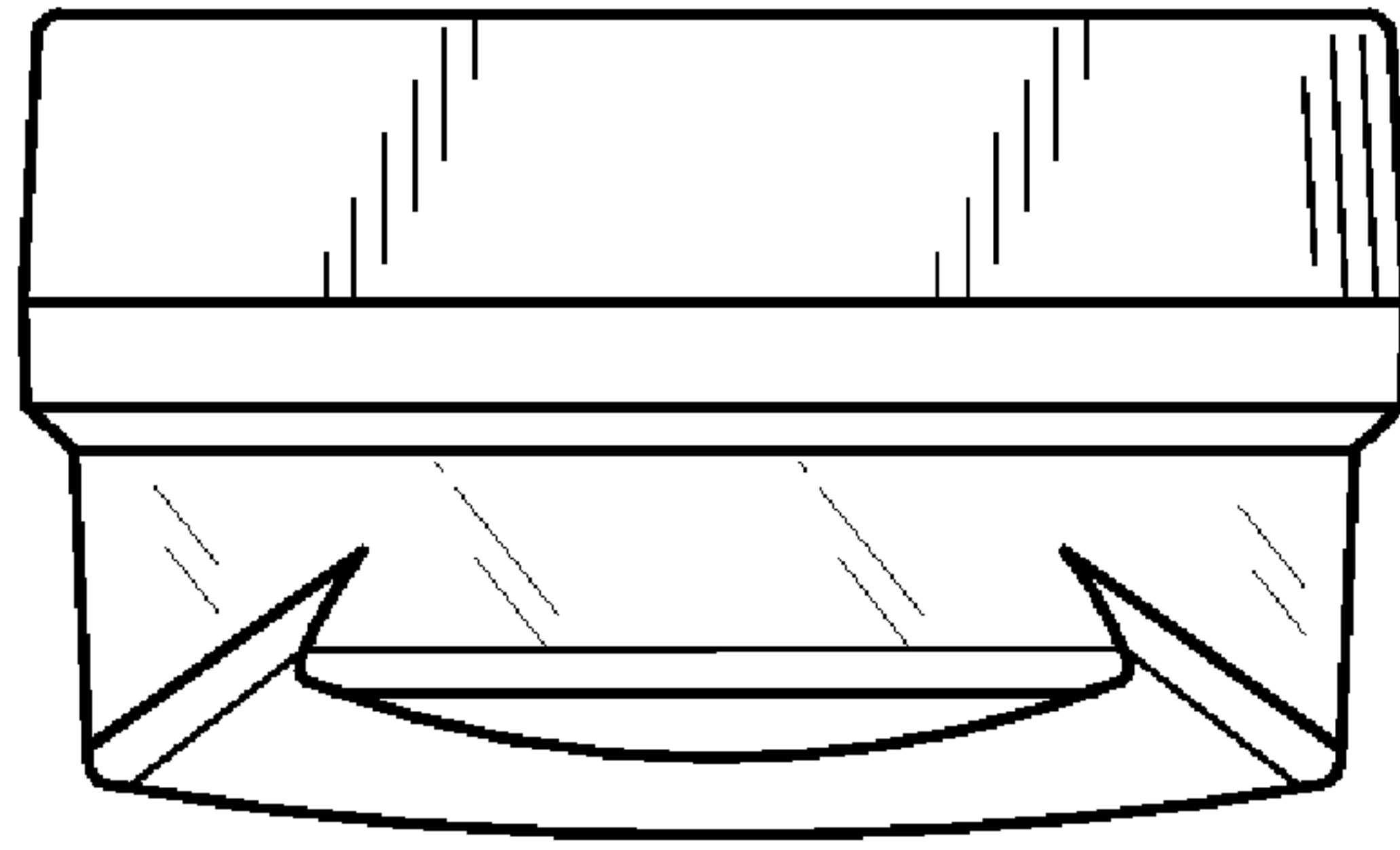


FIG. 6

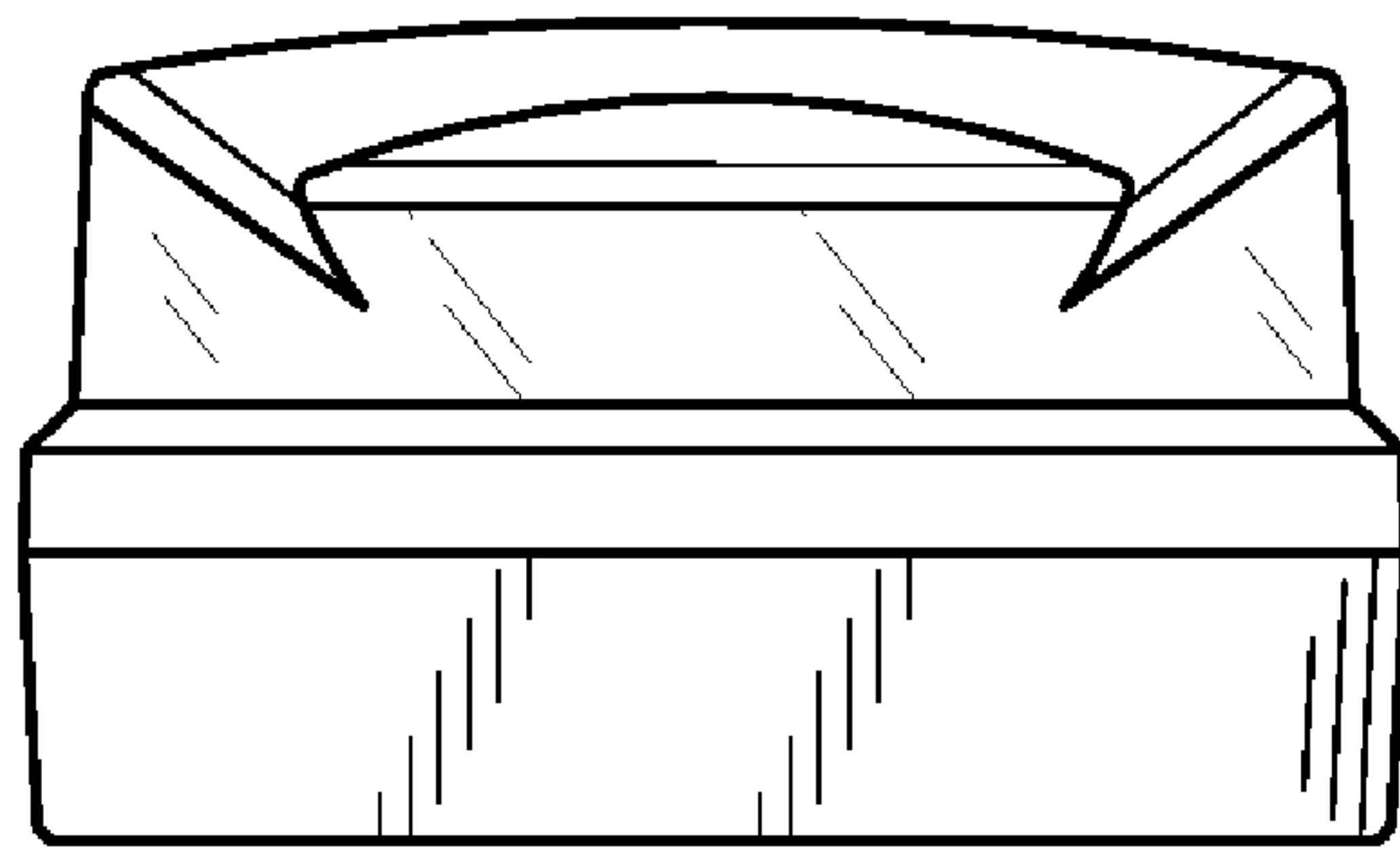


FIG. 7

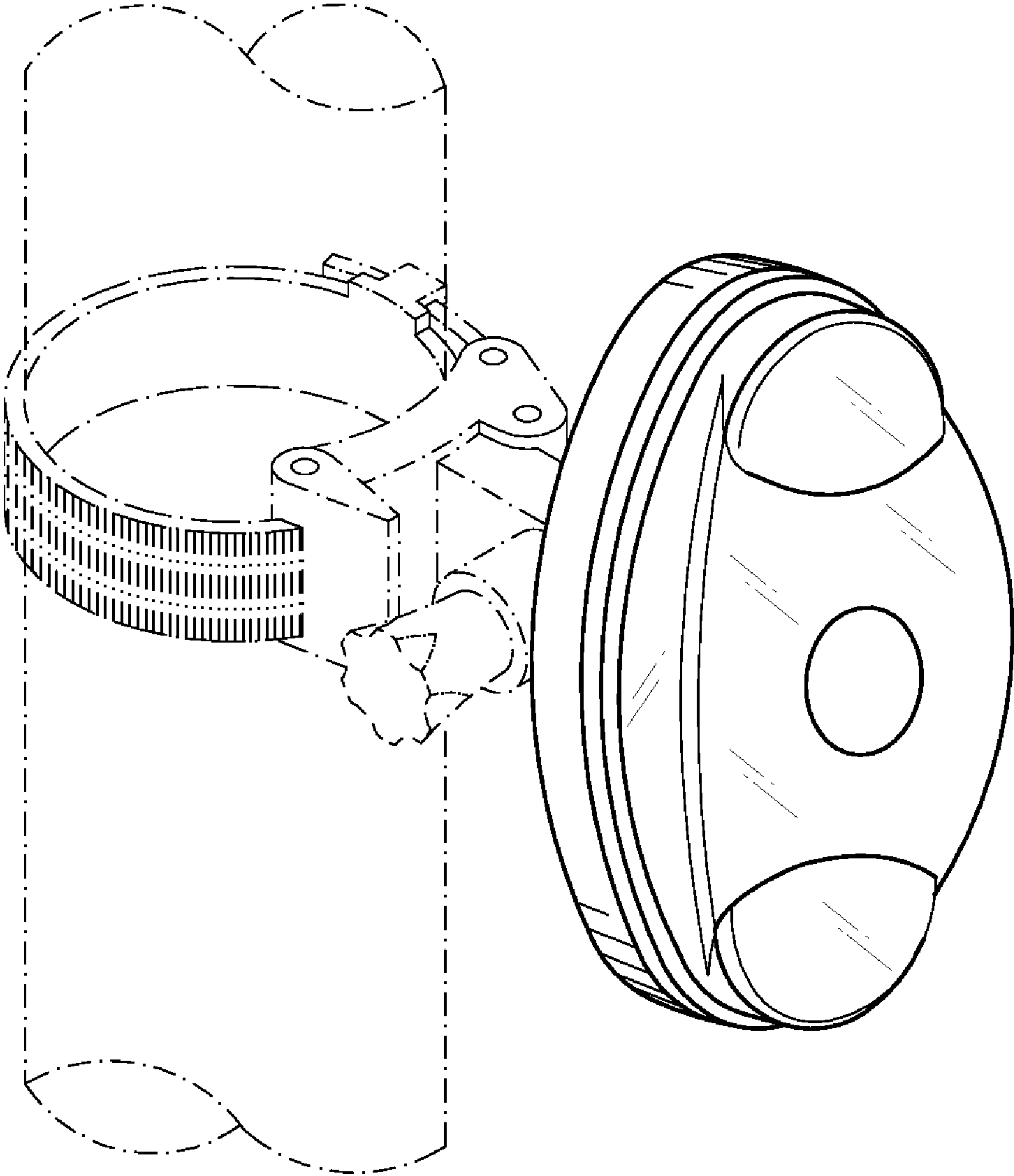


FIG. 8

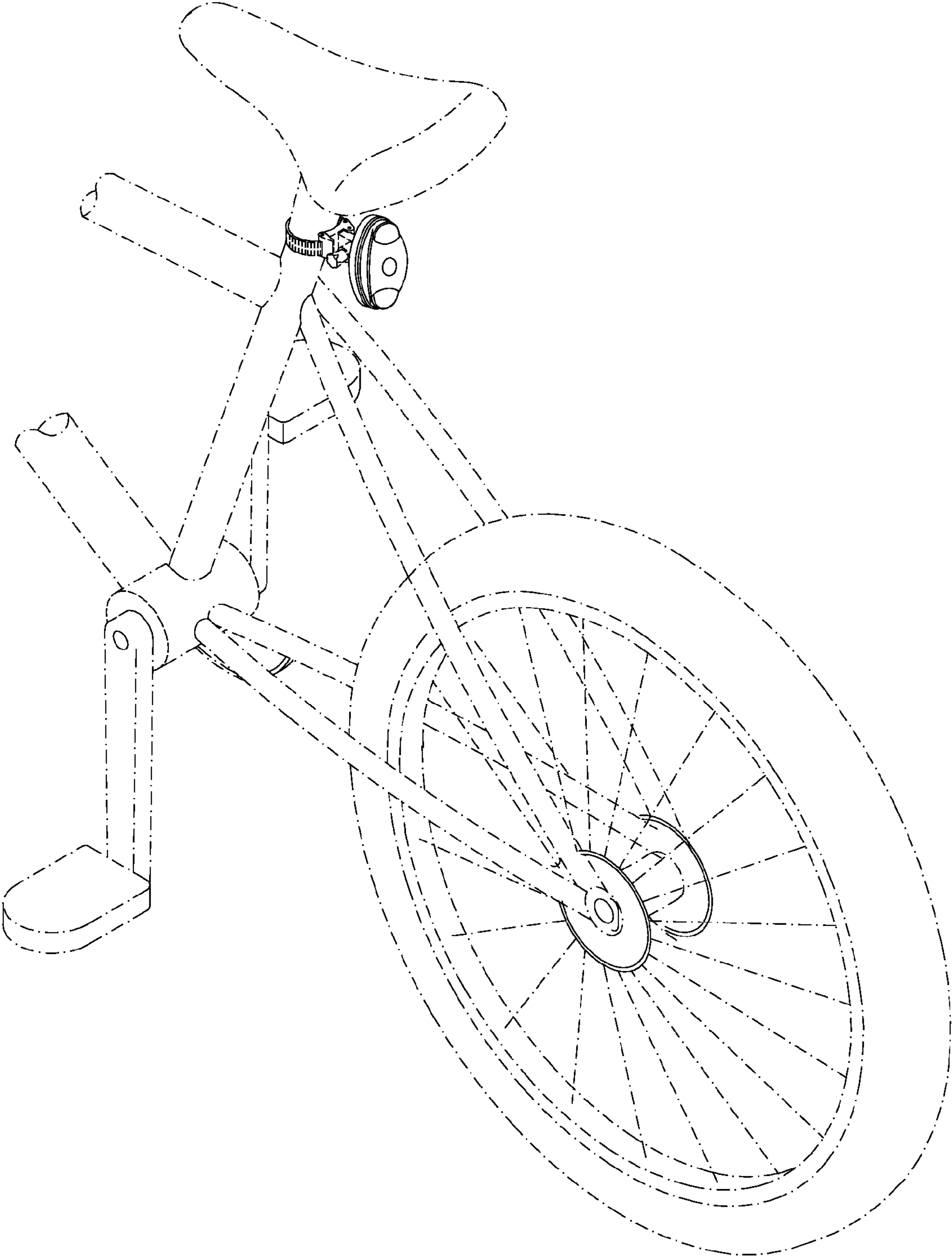


FIG. 9