



US00D595881S

(12) **United States Design Patent**
Hama et al.

(10) **Patent No.:** **US D595,881 S**
(45) **Date of Patent:** **** Jul. 7, 2009**

(54) **LIGHT EMITTING PORTION OF AN OPTICAL FIBER LIGHTING APPARATUS**

(75) Inventors: **Atsutomo Hama**, Anan (JP); **Takafumi Sugiyama**, Komatsushima (JP); **Yukihiro Hayashi**, Tokushima (JP); **Naoto Morizumi**, Yoshinogawa (JP); **Masaaki Kadomi**, Otsu (JP); **Tadahito Furuyama**, Otsu (JP)

(73) Assignees: **Nichia Corporation**, Tokushima (JP); **Nippon Electric Glass Co., Ltd.**, Shiga (JP)

(**) Term: **14 Years**

(21) Appl. No.: **29/285,977**

(22) Filed: **Apr. 18, 2007**

(30) **Foreign Application Priority Data**

Oct. 18, 2006 (JP) 2006-028204
Oct. 18, 2006 (JP) 2006-028205
Oct. 18, 2006 (JP) 2006-028206

(51) **LOC (9) Cl.** **26-02**

(52) **U.S. Cl.** **D26/37**

(58) **Field of Classification Search** D26/24,
D26/27-28, 46, 49, 51; 362/157, 181, 183,
362/190-191, 194-196, 200-202, 204-206,
362/208; 361/208

See application file for complete search history.

(56) **References Cited**

U.S. PATENT DOCUMENTS

D455,511 S * 4/2002 Chang D26/46

* cited by examiner

Primary Examiner—Ian Simmons

Assistant Examiner—Dana L Sipos

(74) *Attorney, Agent, or Firm*—Osha • Liang LLP

(57) **CLAIM**

The ornamental design for a light emitting portion of an optical fiber lighting apparatus, as shown and described.

DESCRIPTION

FIG. 1 is a top, front, left side perspective view of a light emitting portion of an optical fiber lighting apparatus according to our new design;

FIG. 2 is a front elevation view thereof;

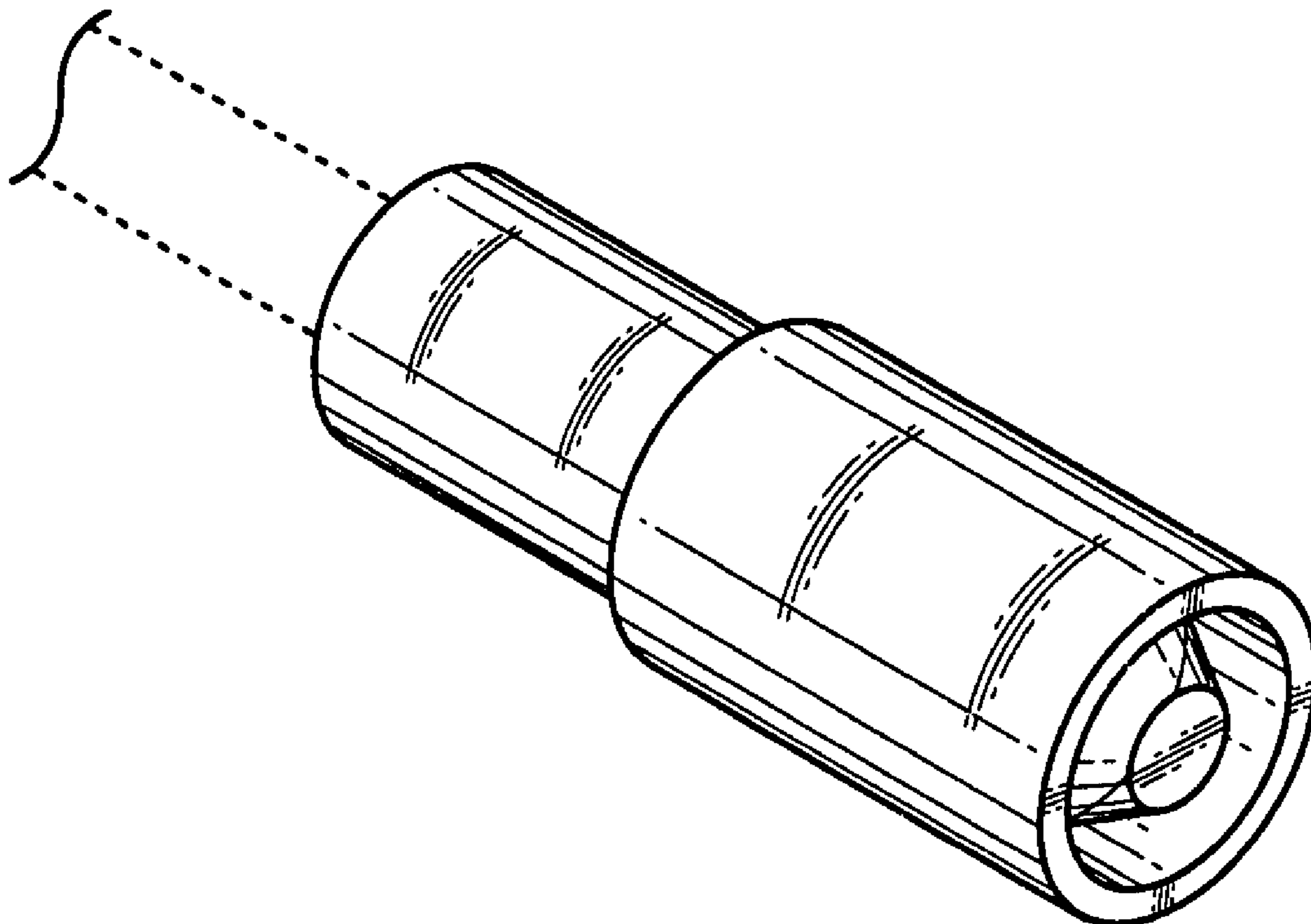
FIG. 3 is a rear elevation view thereof;

FIG. 4 is a side elevation view thereof, the opposing side, top plan and bottom plan views being identical; and,

FIG. 5 is a cross section view taken along the line 5—5 in the FIG. 2 drawing view.

The elements shown in broken lines are for illustrative purposes only and form no part of the claimed design.

1 Claim, 2 Drawing Sheets



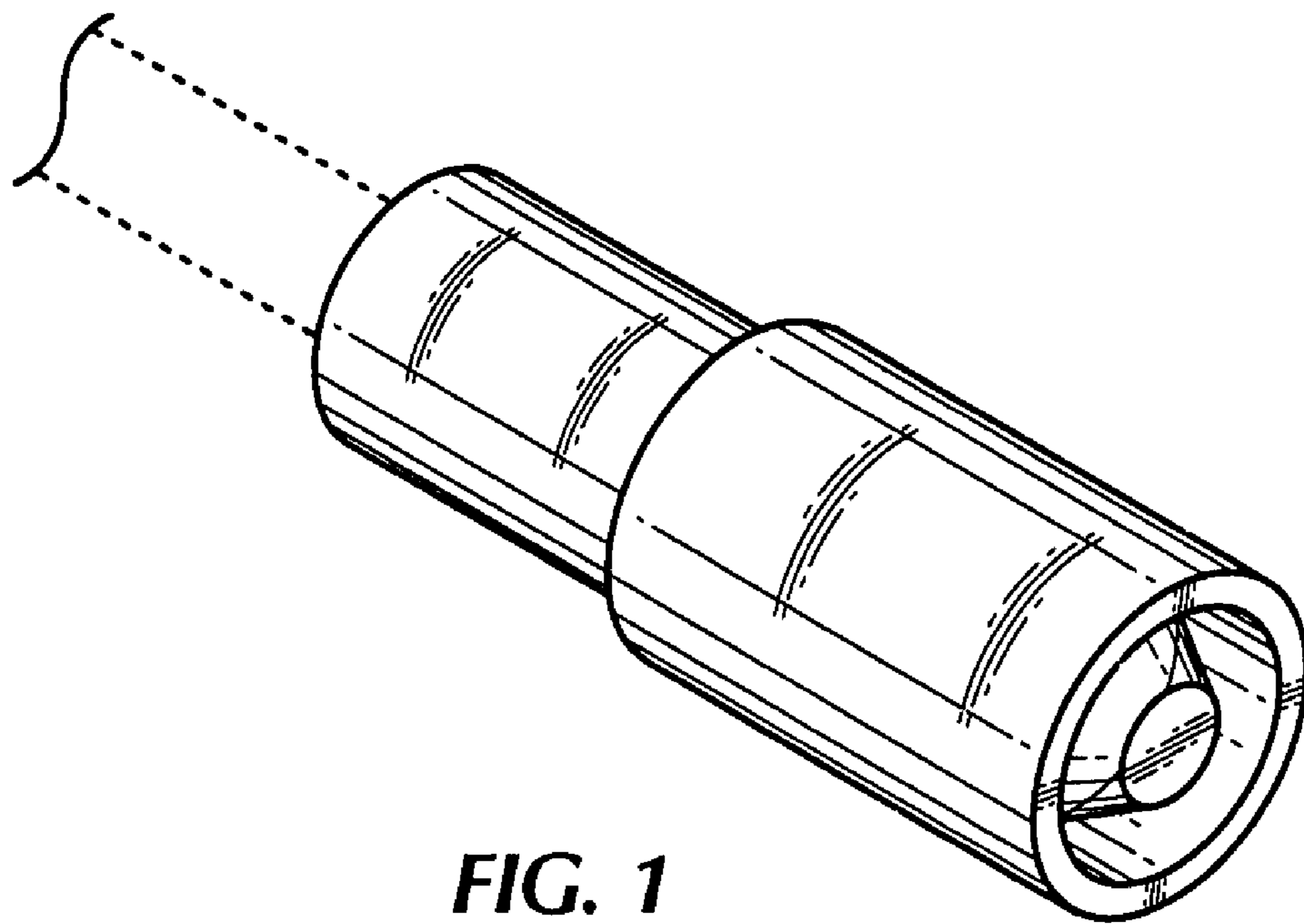


FIG. 1

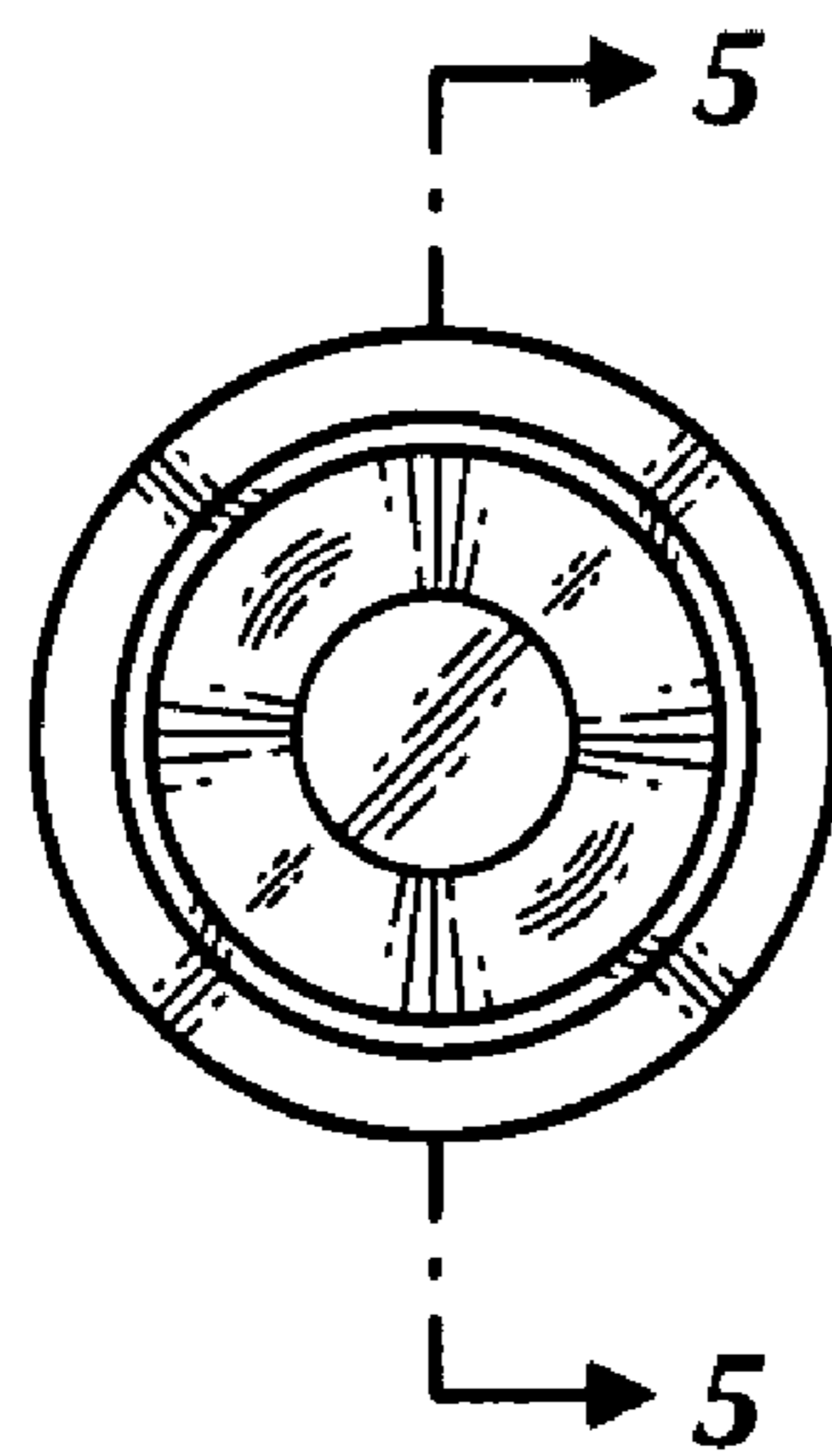


FIG. 2

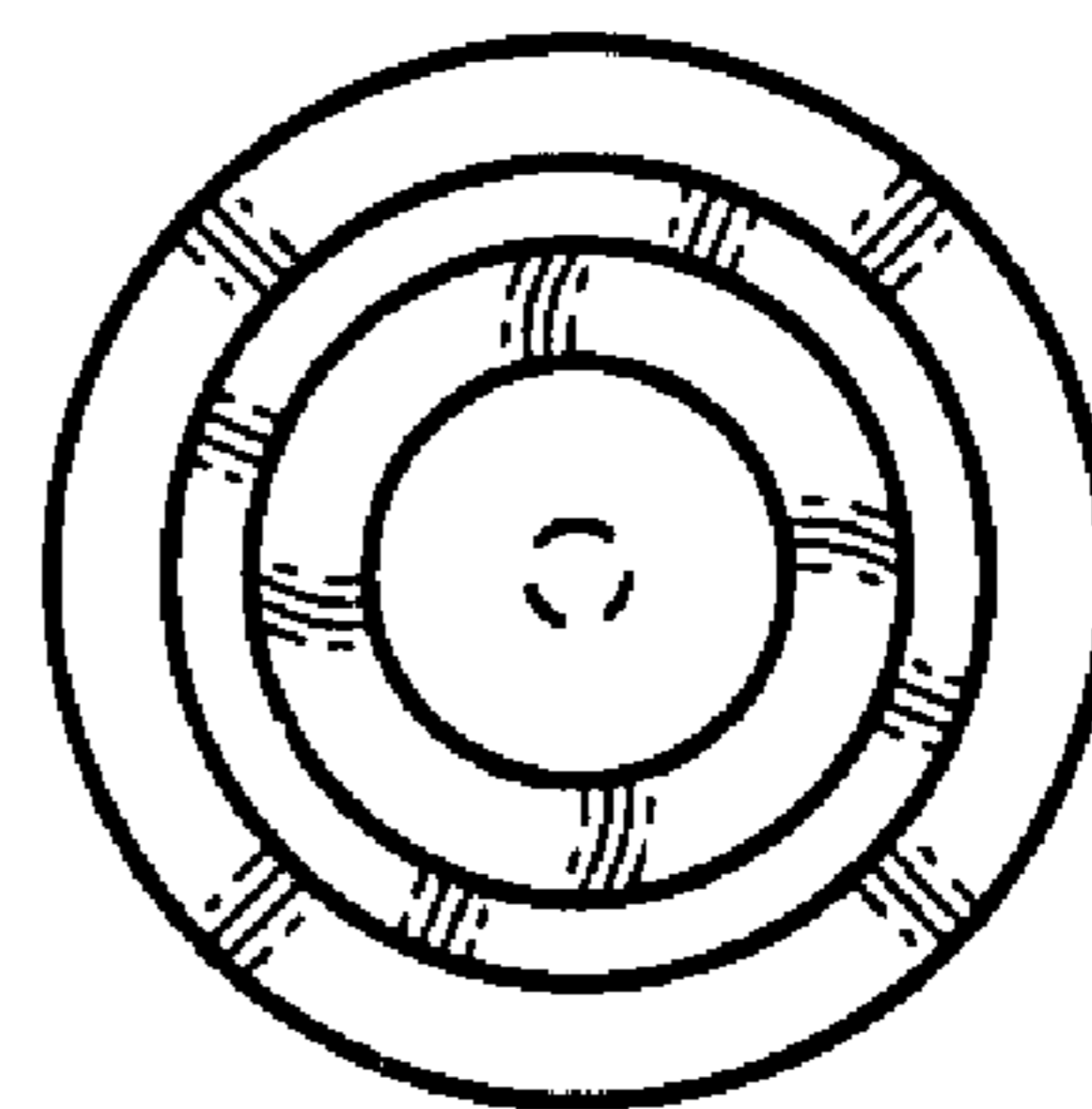


FIG. 3

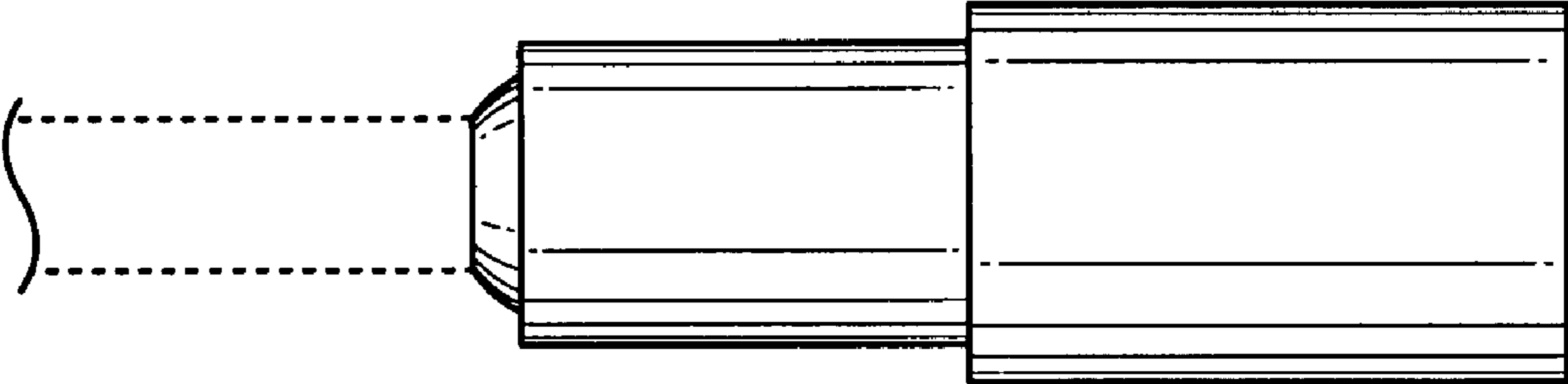


FIG. 4

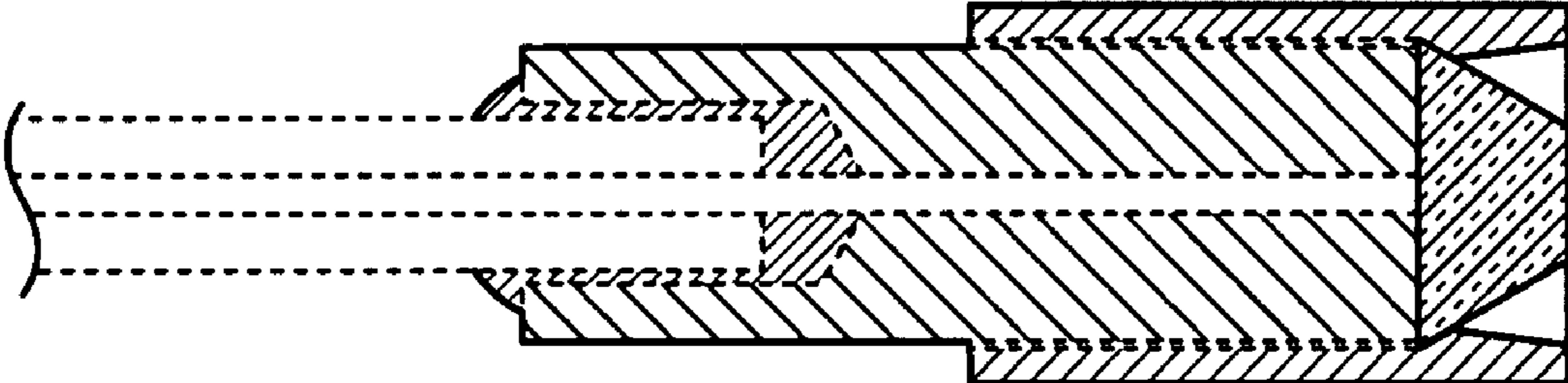


FIG. 5