



US00D595876S

(12) **United States Design Patent**
Kinsey

(10) **Patent No.:** **US D595,876 S**

(45) **Date of Patent:** **** Jul. 7, 2009**

(54) **ION GENERATING LAMP**

D541,922 S * 5/2007 Wefler et al. D23/366
D546,931 S * 7/2007 Wefler D23/366

(76) Inventor: **William Kinsey**, 24307 magic Mountain Pkwy. #120, Valencia, CA (US) 91355

OTHER PUBLICATIONS

(**) Term: **14 Years**

Toshino 3-in-1 LED Power Failure Light with Night Light, Available sine Sep. 20, 2006 [online], [retrieved on Aug. 26, 2008]. Retrieved from Internet, <URL: <http://www.shop4thai.com/en/product/16053/>>.*

(21) Appl. No.: **29/293,894**

Night Light, Wayback Machine date Mar. 3, 2007 [online], [retrieved on Aug. 26, 2008]. Retrieved from Internet , <URL: http://web.archive.org/web/20070303083916/http://www.jonmarie.com/images/Promotional-Others/big/Night+Light_big.jpg>.*

(22) Filed: **Dec. 14, 2007**

(51) **LOC (9) Cl.** **26-05**

(52) **U.S. Cl.** **D26/26**

(58) **Field of Classification Search** D26/24,
D26/25, 26, 2, 37, 51, 59, 74, 110, 46, 113,
D26/138, 72, 73, 98; D3/209; D23/366,
D23/367, 368, 369; 362/555, 557, 565, 116,
362/124, 157, 159, 200, 205, 640, 641, 642,
362/643, 644, 647, 649, 650, 652, 653, 655,
362/657, 658, 659, 806, 811; D11/117, 130,
D11/141, 162; D10/114; D21/650; D14/218,
D14/496

* cited by examiner

Primary Examiner—Jennifer Rivard

Assistant Examiner—Angela J Lee

(74) *Attorney, Agent, or Firm*—Charles R. sutton; Law Offices of Roger C. Hsu

See application file for complete search history.

(57) **CLAIM**

I claim the ornamental design for the ion generating lamp, as shown and described.

(56) **References Cited**

DESCRIPTION

U.S. PATENT DOCUMENTS

D285,121	S	*	8/1986	Schwartz	D26/26
D347,288	S	*	5/1994	Ham	D26/26
D393,084	S	*	3/1998	Hergert	D26/26
D409,317	S	*	5/1999	Yuen	D26/26
D428,166	S	*	7/2000	Veach et al.	D26/26
D428,168	S	*	7/2000	Veach et al.	D26/26
D452,336	S	*	12/2001	Liu et al.	D26/26
D465,859	S	*	11/2002	Lo	D26/26
D523,972	S	*	6/2006	Chan	D26/26
D524,457	S	*	7/2006	Chan	D26/26
D524,458	S	*	7/2006	Chan	D26/26

FIG. 1 is a perspective view of the invention.

FIG. 2 is a front view of the invention

FIG. 3 is a rear view of the invention

FIG. 4 is a side view of the invention

FIG. 5 is a top view of the invention; and,

FIG. 6 is a bottom view of the invention.

The portions of the ion generating lamp shown in broken lines form no part of the claimed design.

1 Claim, 5 Drawing Sheets

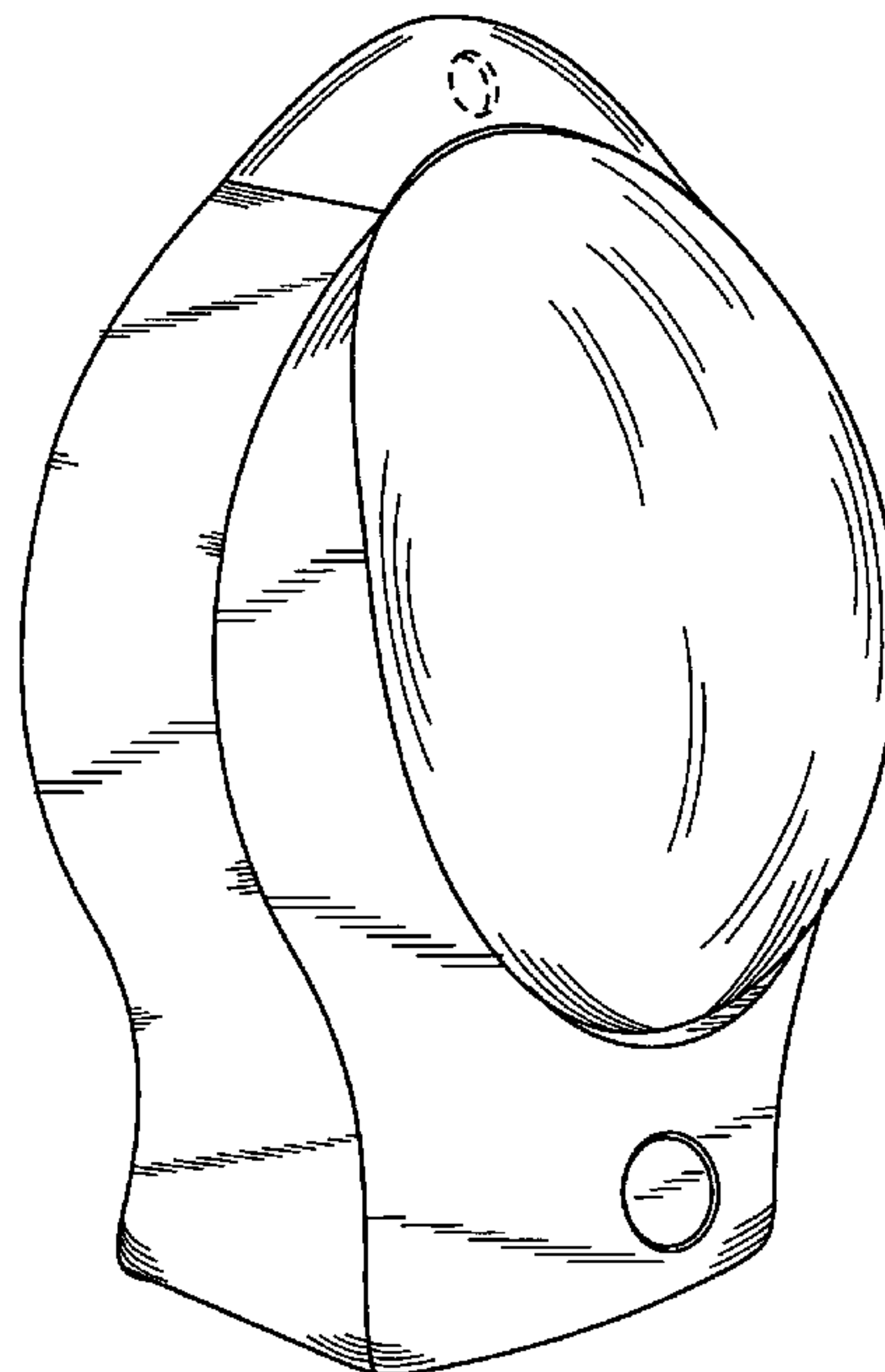




FIG. 1

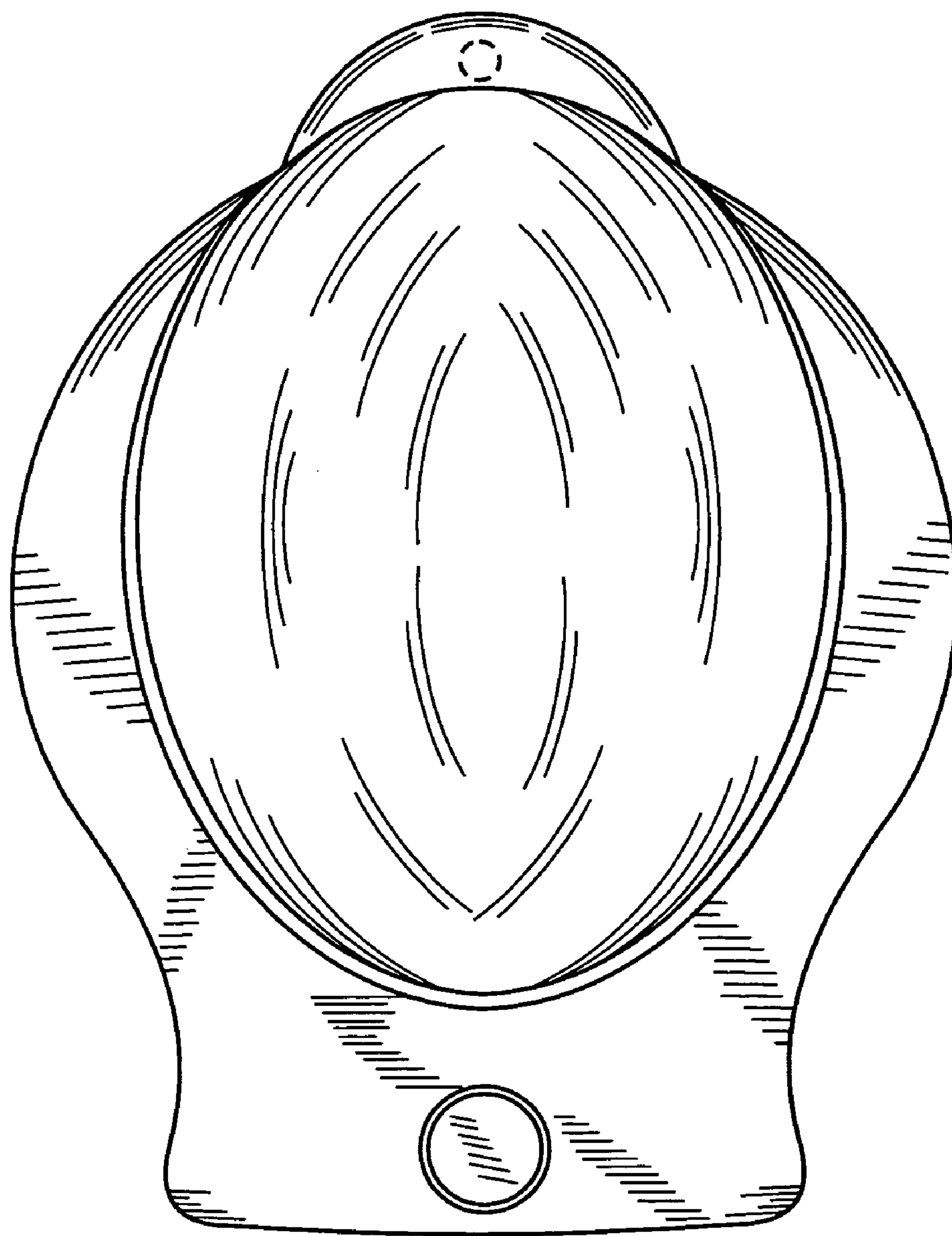


FIG. 2

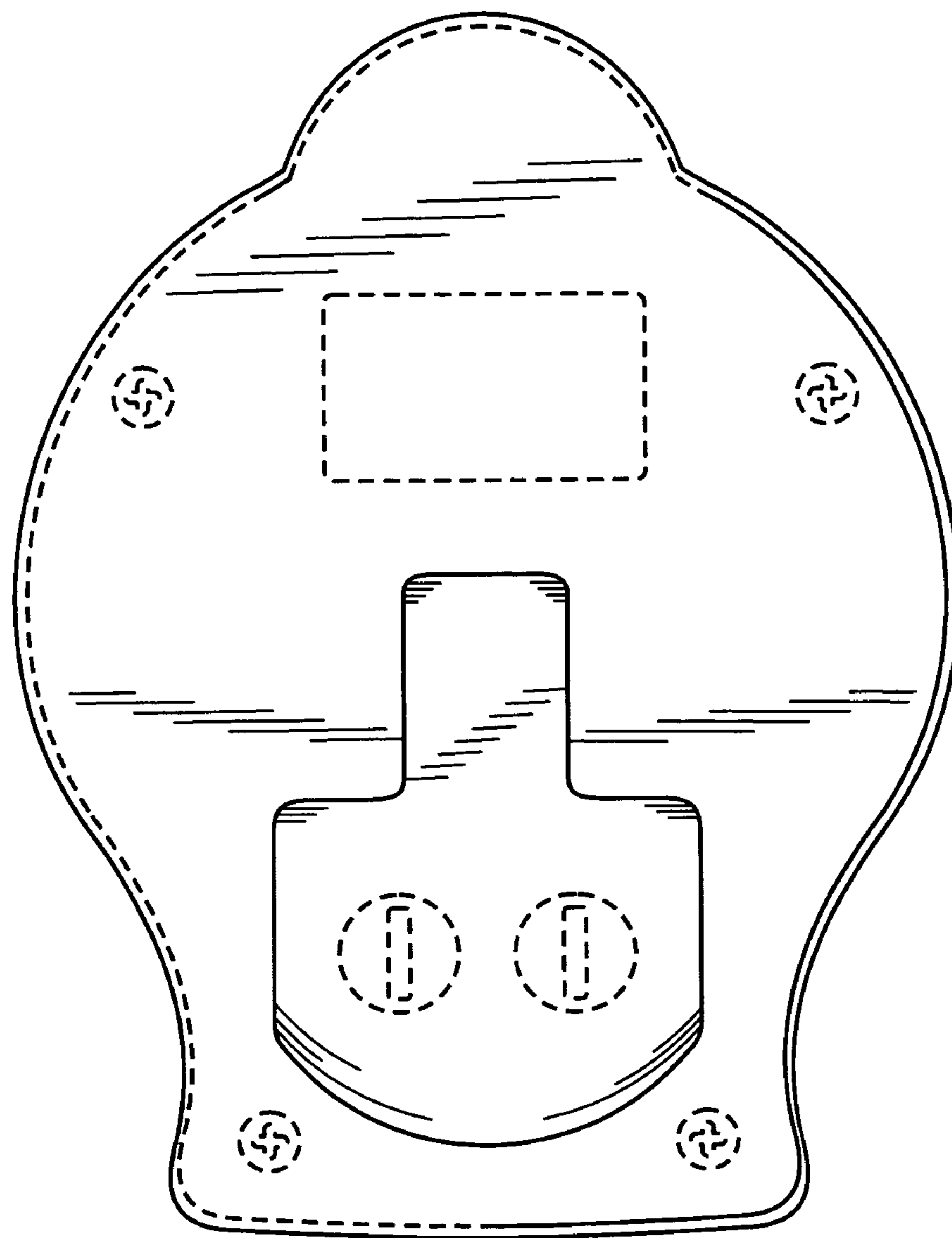


FIG. 3

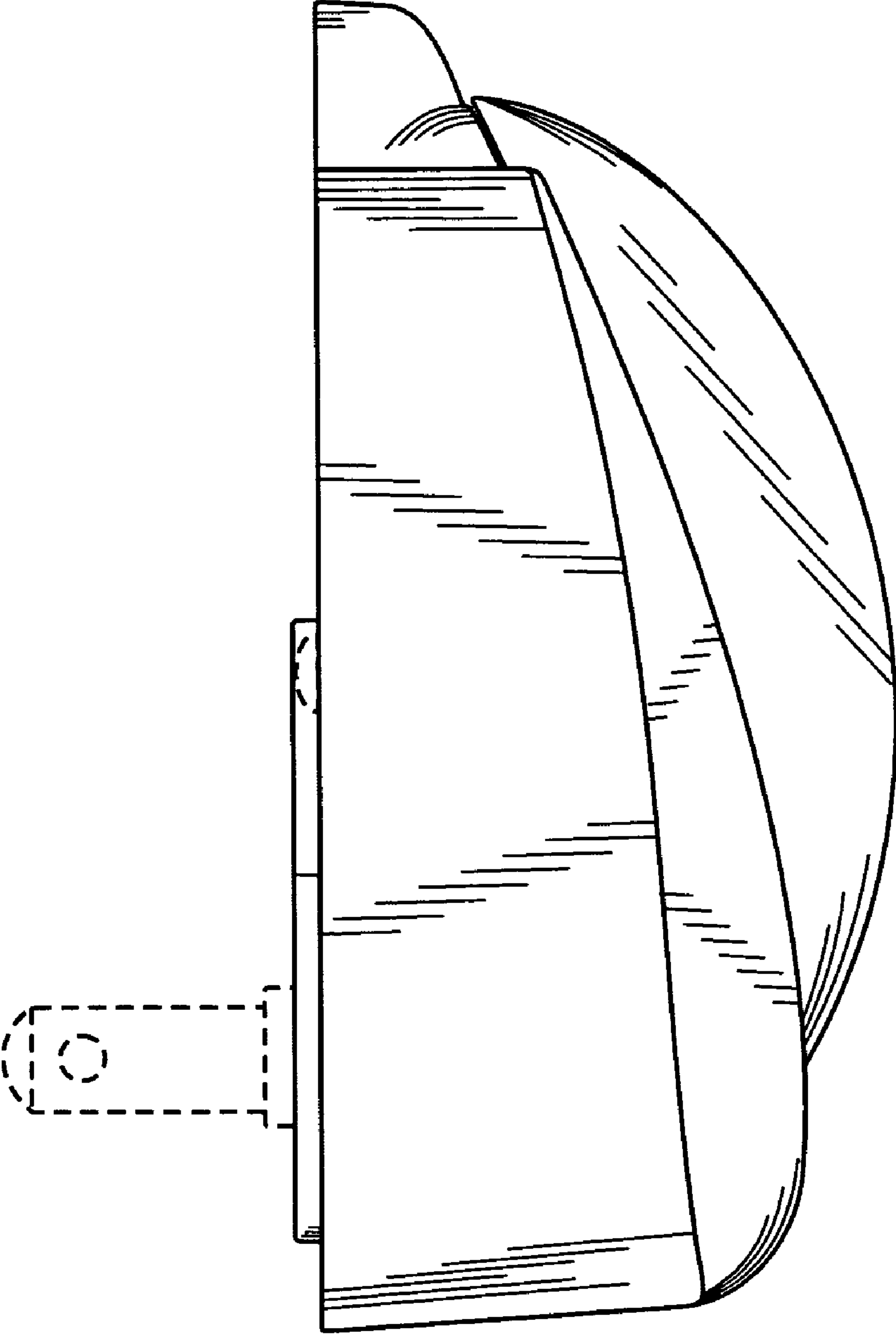


FIG. 4

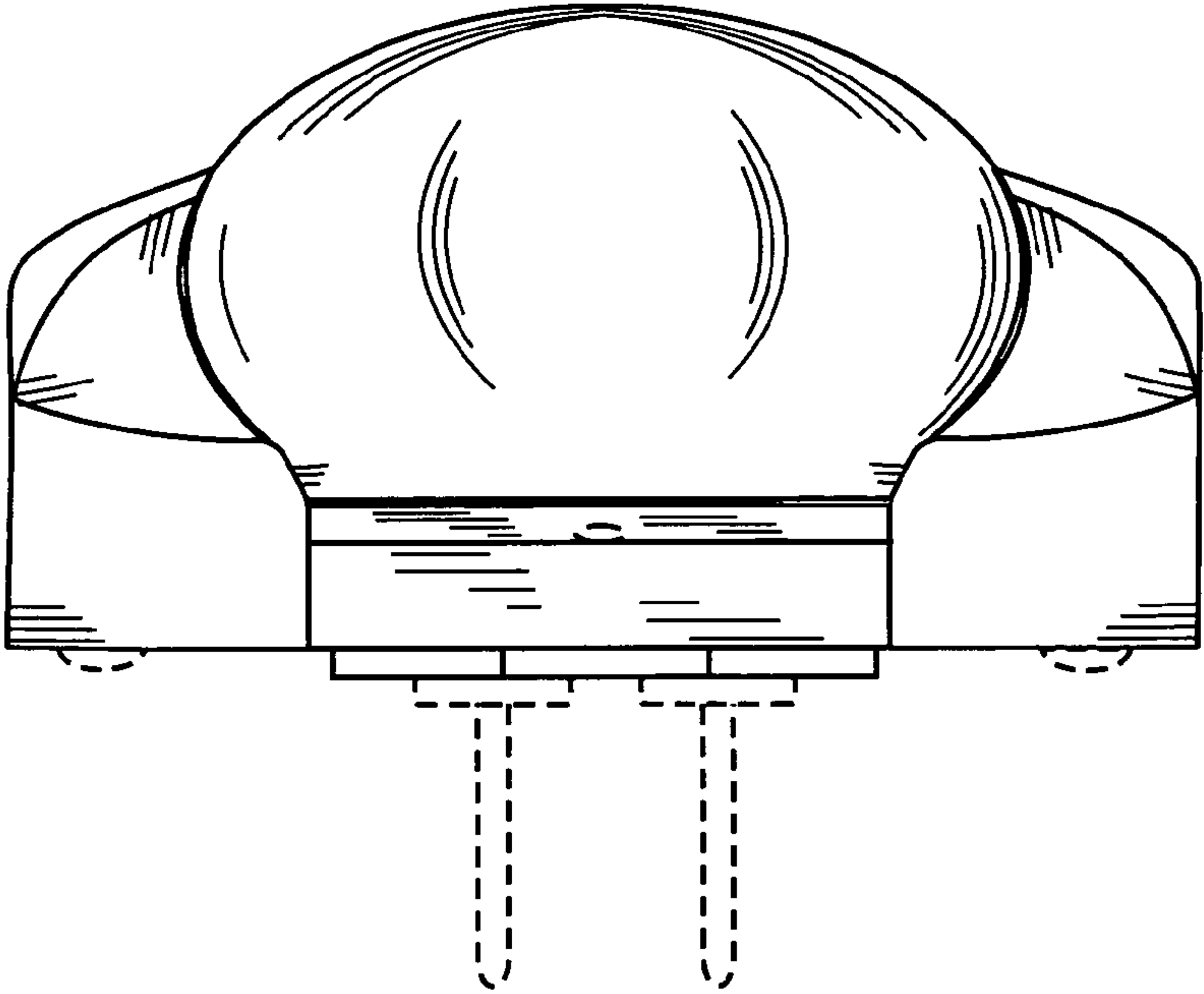


FIG. 5

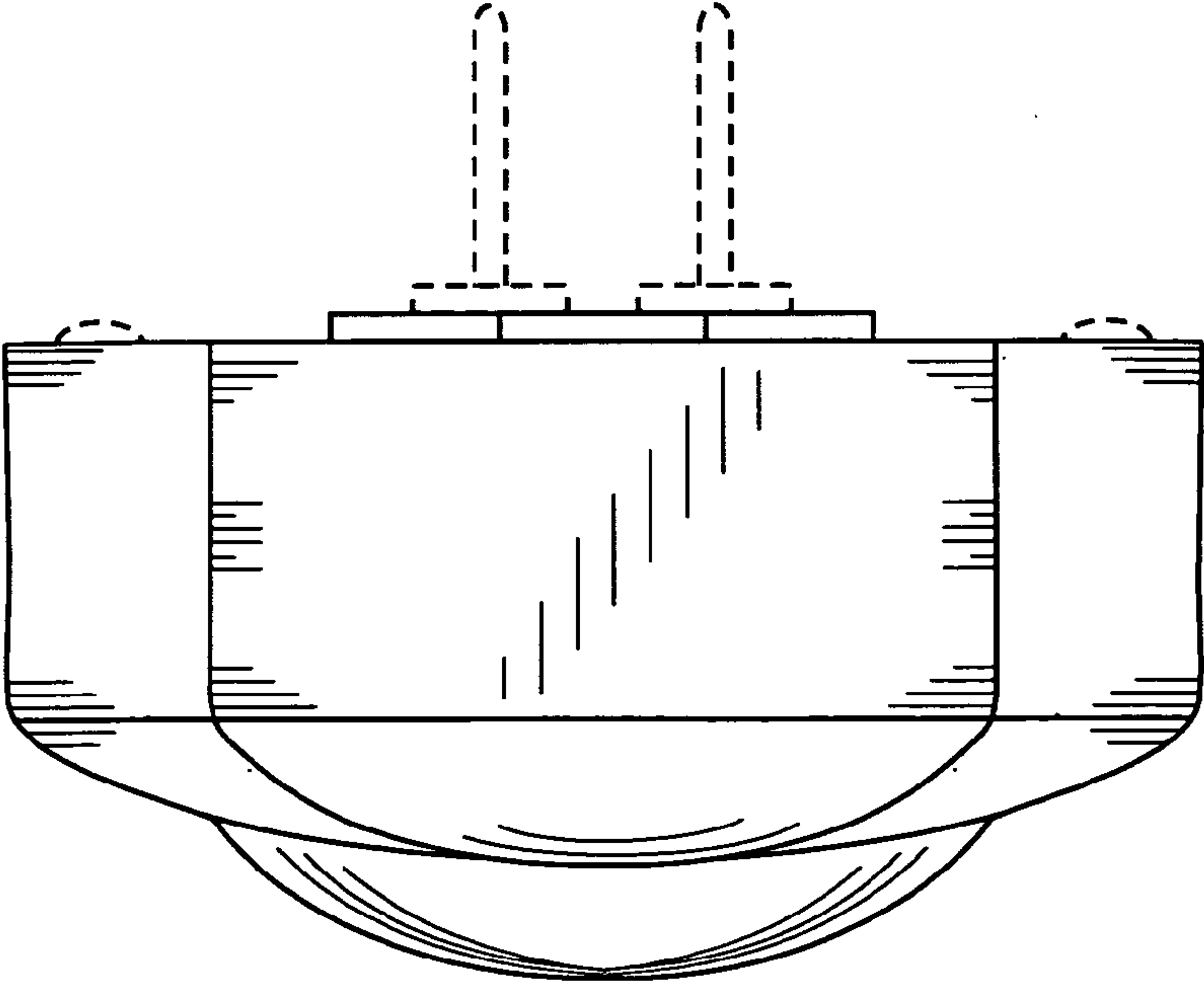


FIG. 6