



US00D595875S

(12) **United States Design Patent**
Irvine

(10) **Patent No.:** **US D595,875 S**

(45) **Date of Patent:** **** Jul. 7, 2009**

(54) **LIGHT**

(75) Inventor: **James Irvine**, Milan (IT)

(73) Assignee: **Zumtobel Lighting GmbH & Co. KG**,
Lemgo (DE)

(**) Term: **14 Years**

(21) Appl. No.: **29/296,244**

(22) Filed: **Oct. 16, 2007**

(51) **LOC (9) Cl.** **26-02**

(52) **U.S. Cl.** **D26/24; D26/37**

(58) **Field of Classification Search** D26/24,
D26/25, 26, 2, 37, 51, 59, 74, 110, 46, 113,
D26/138, 72, 73, 98; D3/209; D23/366,
D23/367, 368, 369; 362/555, 557, 565, 116,
362/124, 157, 159, 200, 205, 640, 641, 642,
362/643, 644, 647, 649, 650, 652, 653, 655,
362/657, 658, 659, 806, 811; D11/117, 130,
D11/141, 162; D10/114; D21/650; D14/218,
D14/496

See application file for complete search history.

(56) **References Cited**

U.S. PATENT DOCUMENTS

D267,980 S * 2/1983 Gibstein et al. D26/37
D297,518 S * 9/1988 Yuen D10/106
D355,272 S * 2/1995 Chabria D26/46
D356,172 S * 3/1995 Vance D26/46

D367,720 S * 3/1996 Sinclair D26/46
D395,720 S * 6/1998 Galli D26/37
D397,465 S * 8/1998 Youri D26/38
D402,067 S * 12/1998 Sinclair D26/37
D494,692 S * 8/2004 Jim D26/37
D539,951 S * 4/2007 Qui D26/37
D542,449 S * 5/2007 Racoosin et al. D26/51
D563,433 S * 3/2008 Yu et al. D14/496
D572,160 S * 7/2008 Cherneff et al. D10/104

* cited by examiner

Primary Examiner—Jennifer Rivard

Assistant Examiner—Angela J Lee

(74) *Attorney, Agent, or Firm*—Marshall, Gerstein & Borun
LLP

(57) **CLAIM**

The ornamental design for a light, as shown.

DESCRIPTION

FIG. 1 is a perspective view of a light that has the design.

FIG. 2 is another perspective view of the light.

FIG. 3 is a top view of the light.

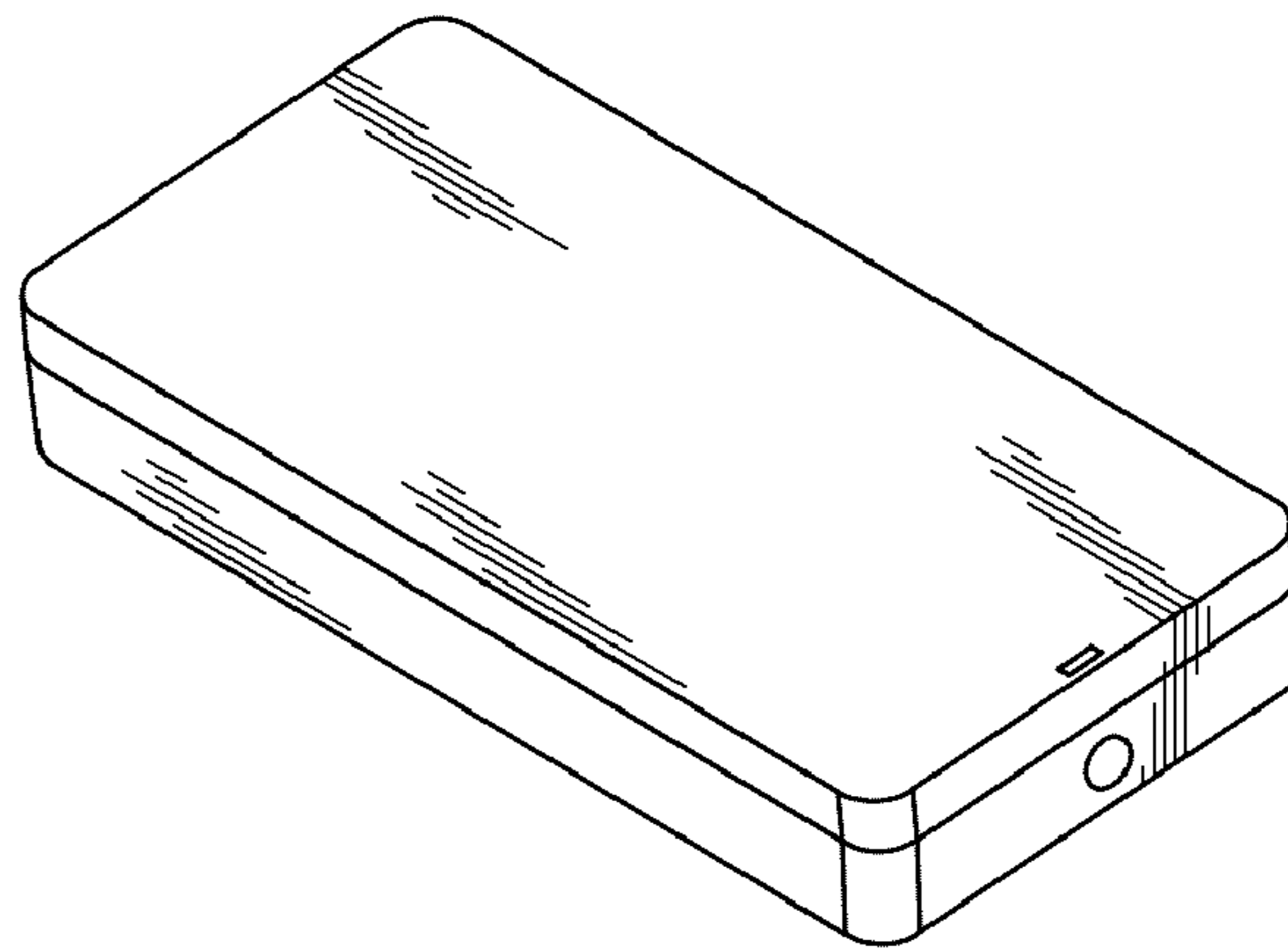
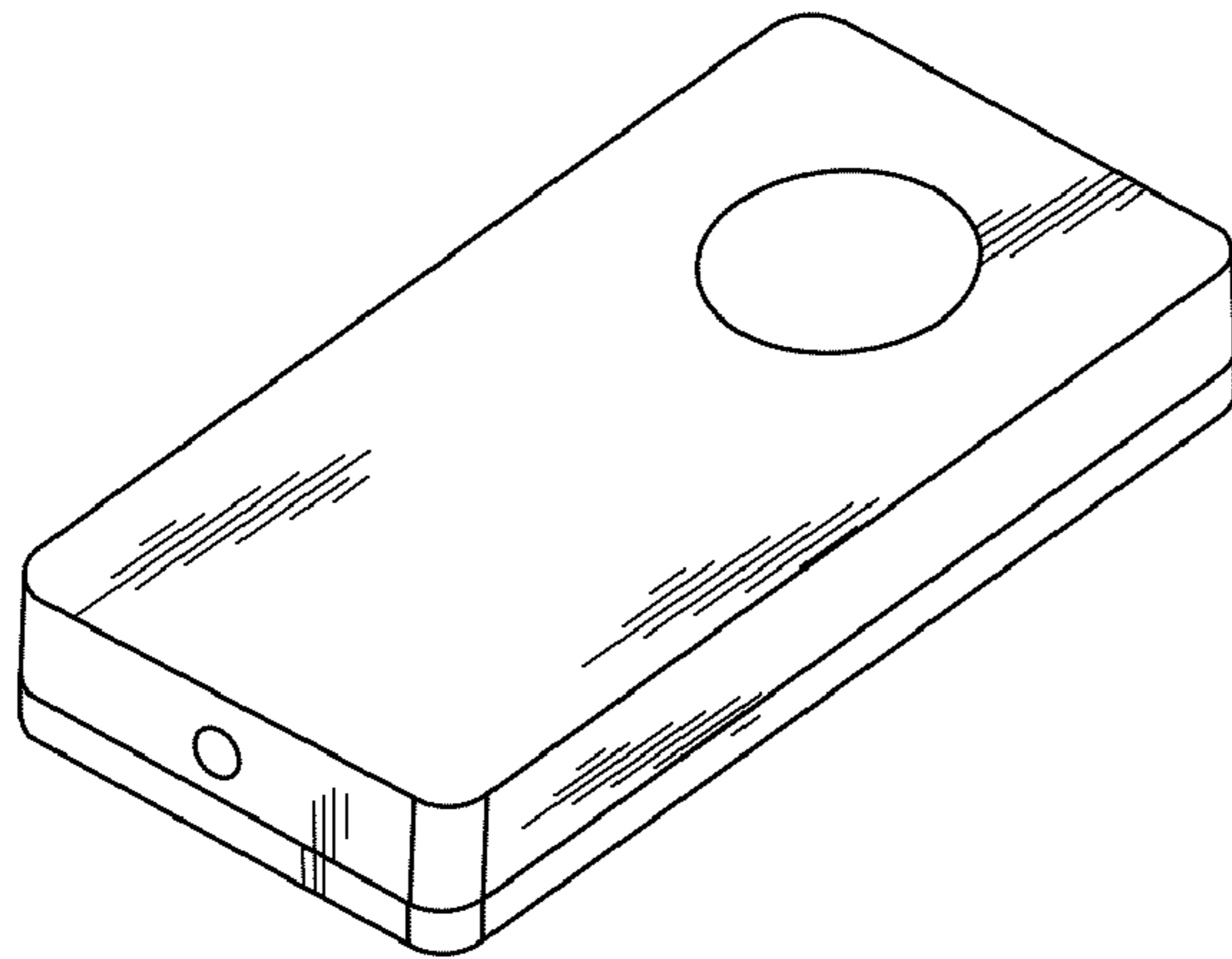
FIG. 4 is a side view of the light.

FIG. 5 is an opposite side view of the light.

FIG. 6 is an end view of the light; and,

FIG. 7 is an opposite end view of the light.

1 Claim, 2 Drawing Sheets



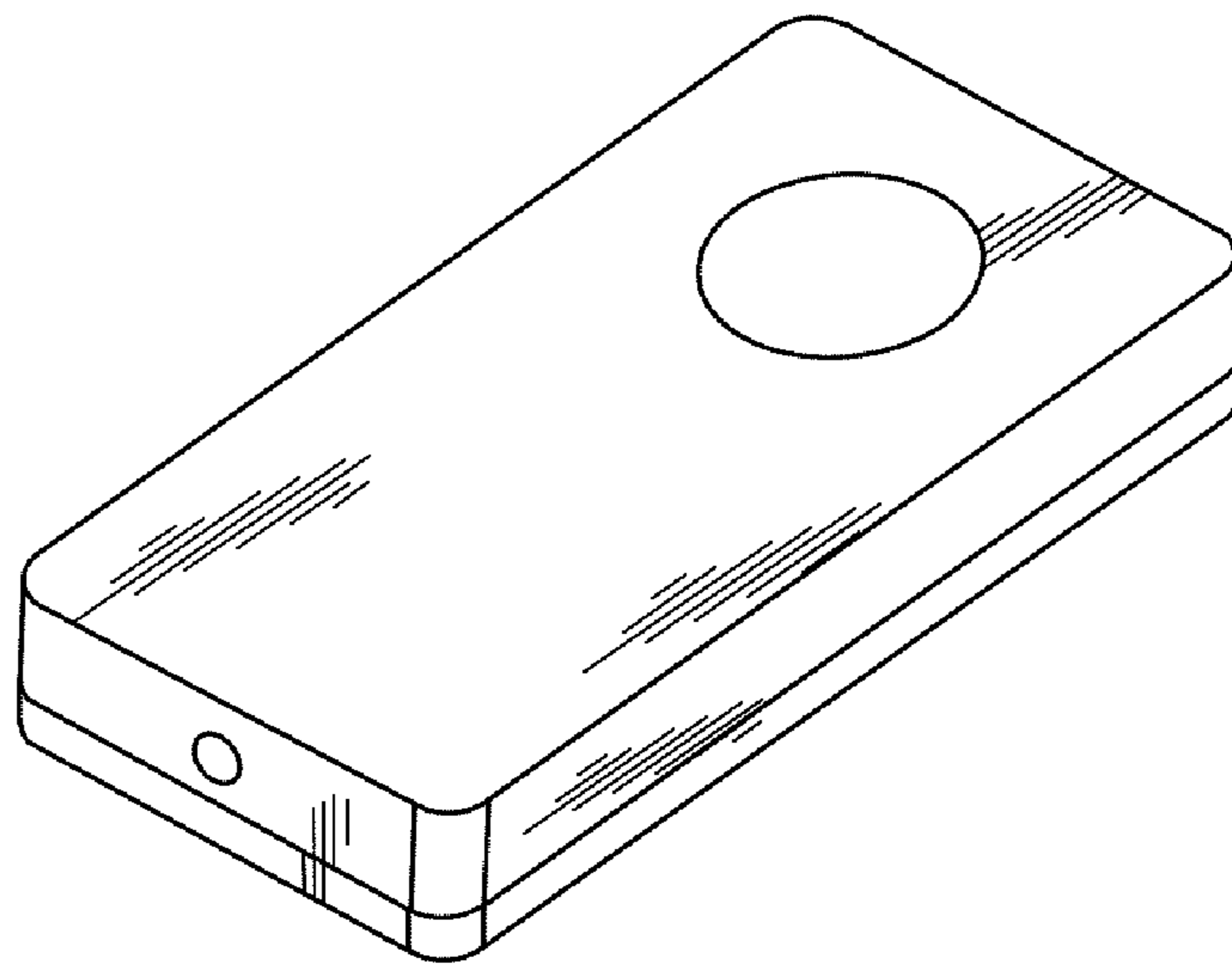


FIG. 1

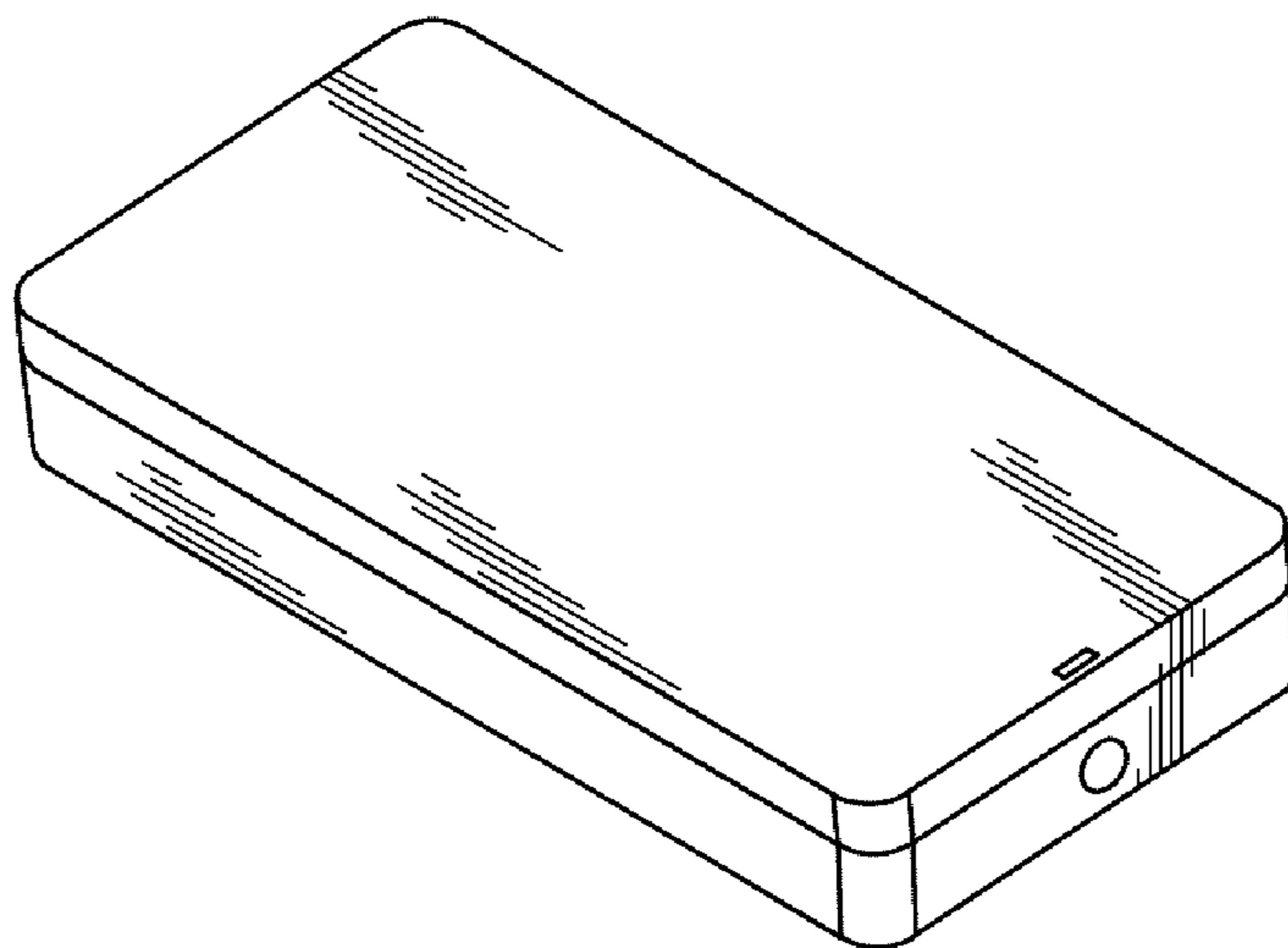


FIG. 2

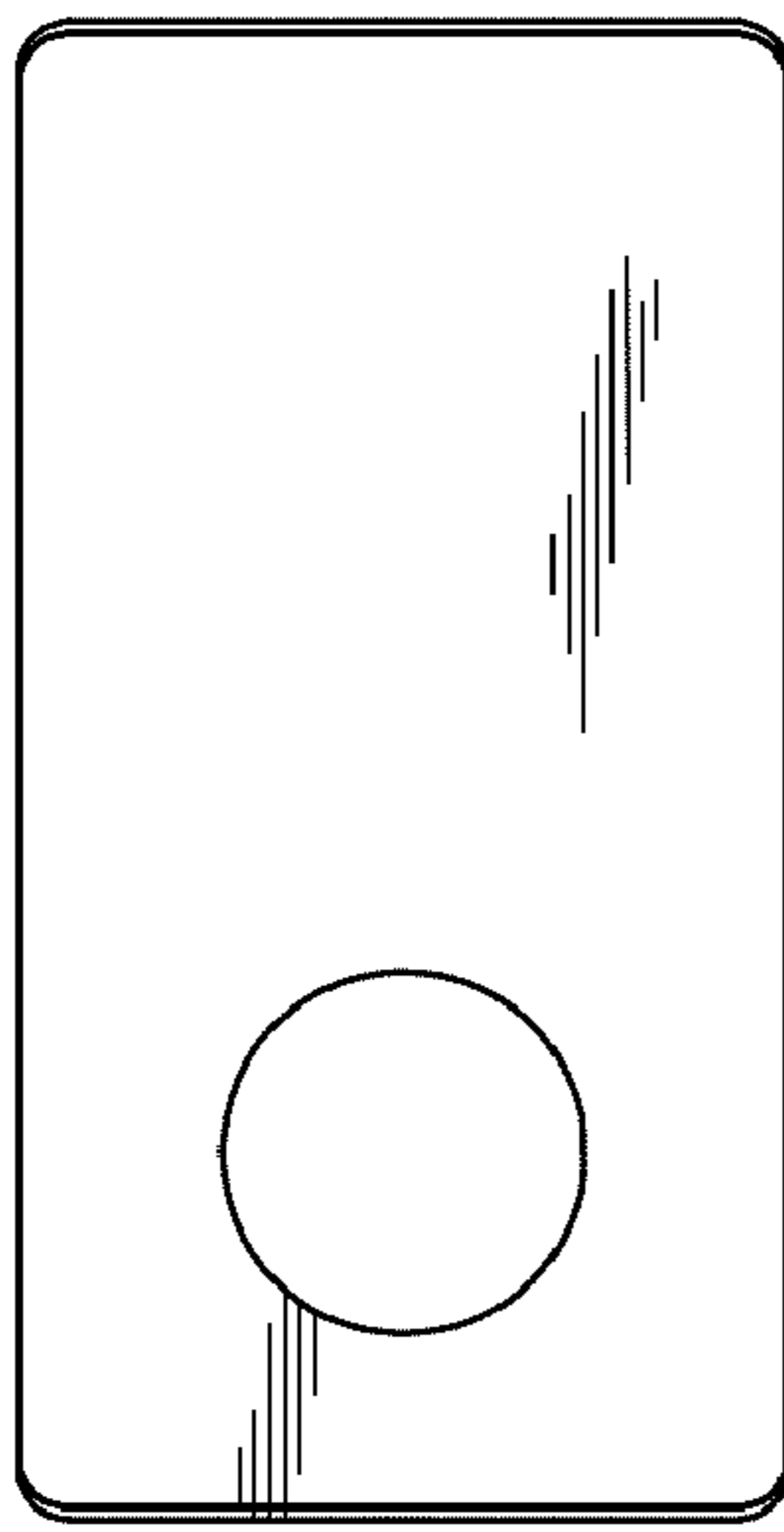


FIG. 3



FIG. 4

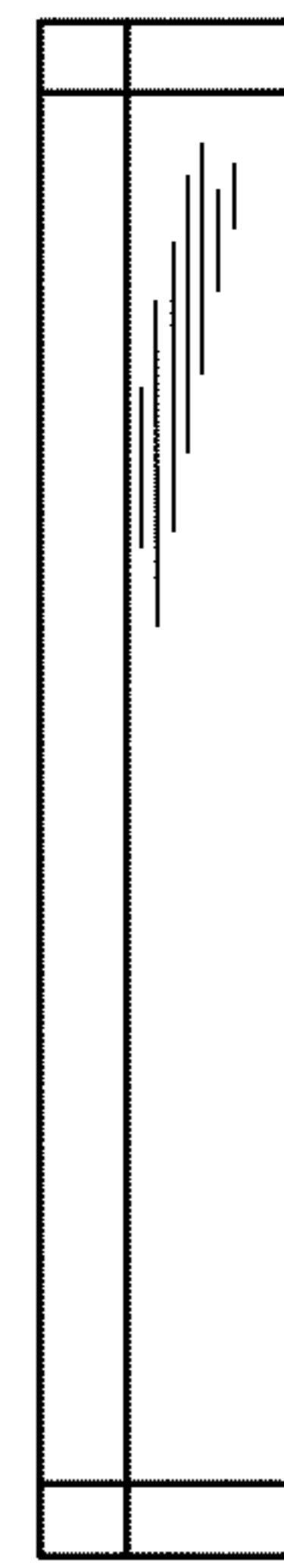


FIG. 5

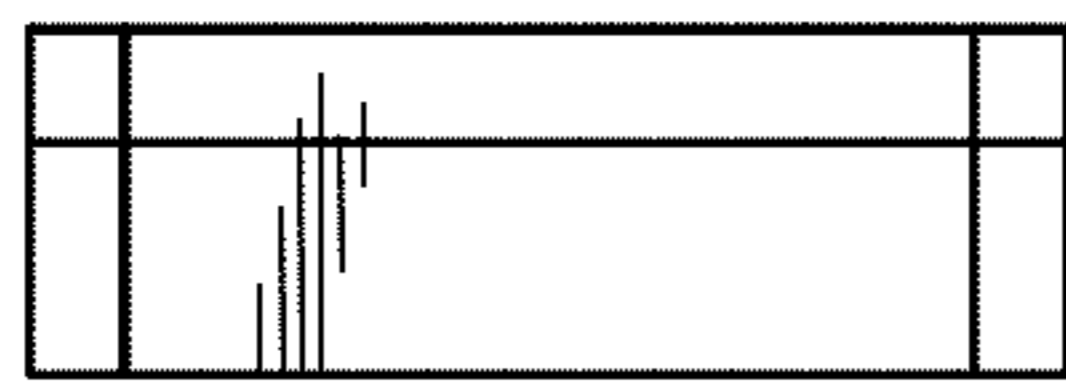


FIG. 6

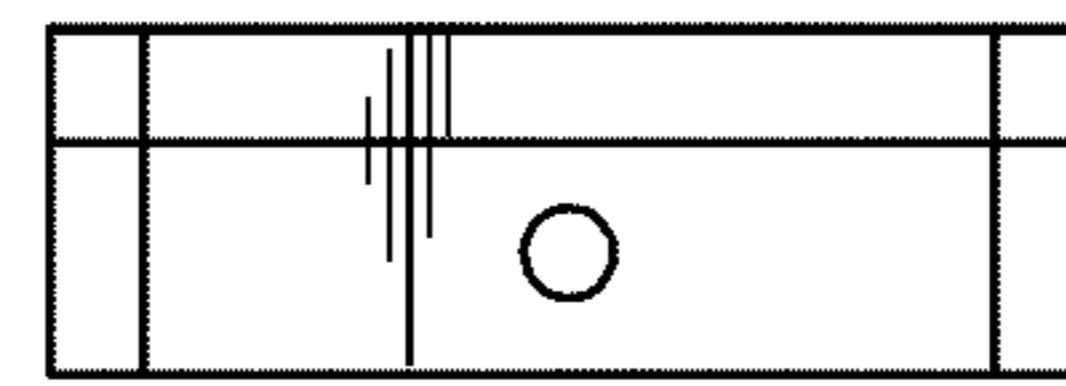


FIG. 7