

US00D595874S

(12) **United States Design Patent**
Gue

(10) **Patent No.:** **US D595,874 S**

(45) **Date of Patent:** **** Jul. 7, 2009**

(54) **CANDLE**

Primary Examiner—T. Chase Nelson
Assistant Examiner—Ania K Dworzecka

(76) **Inventor:** **Jimmy J Gue**, P.O. Box 30536, Seattle,
WA (US) 98113

(57) **CLAIM**

(**) **Term:** **14 Years**

The ornamental design for a candle, as shown and described.

(21) **Appl. No.:** **29/273,051**

DESCRIPTION

(22) **Filed:** **Feb. 26, 2007**

(51) **LOC (9) Cl.** **26-01**

(52) **U.S. Cl.** **D26/9**

(58) **Field of Classification Search** D26/6–23;
431/288, 125, 126, 292, 289; D11/131, 131.1,
D11/157, 81

FIG. 1 is a front elevational view of candle showing my new design, the rear elevational view being a mirror image;

FIG. 2 is a right elevational view, the left elevational view being a mirror image;

FIG. 3 is a top plan view; and,

FIG. 4 is a bottom plan view.

See application file for complete search history.

The drawings are lined on the candle for color and on the wick for the surface of the wick respectively. In the drawings, the broken lines depict environmental subject matter only and form no part of the claimed design.

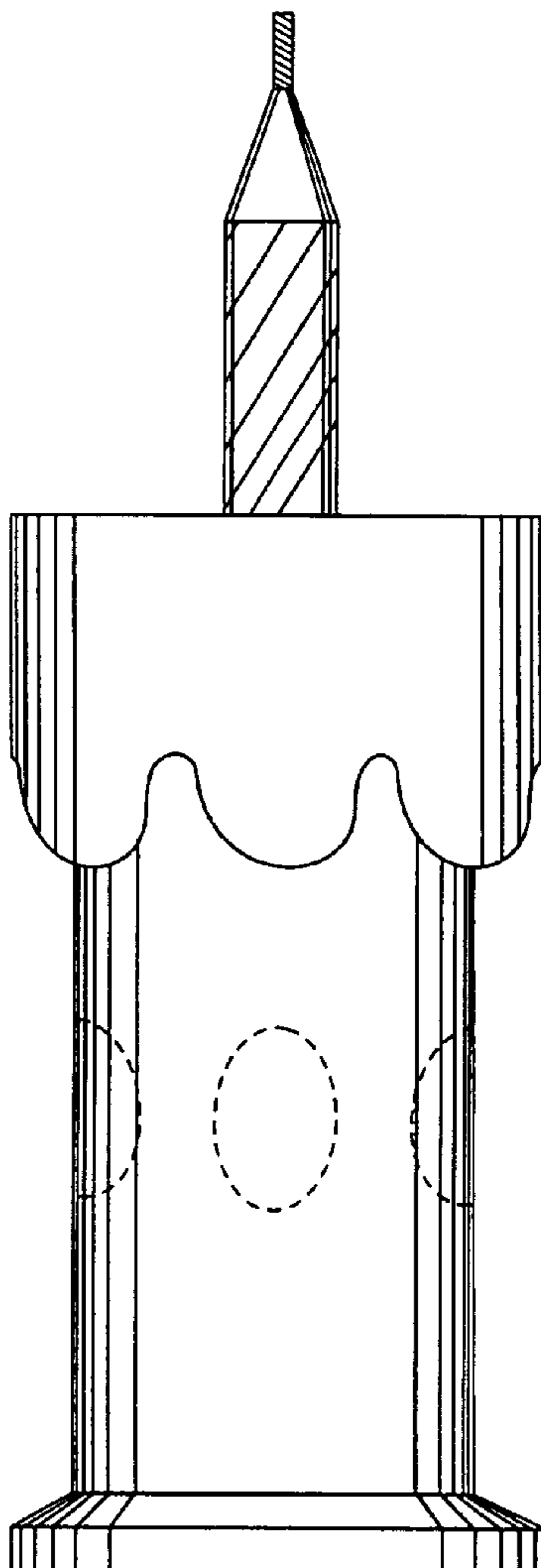
(56) **References Cited**

U.S. PATENT DOCUMENTS

D467,362 S * 12/2002 Gue D26/7

* cited by examiner

1 Claim, 1 Drawing Sheet



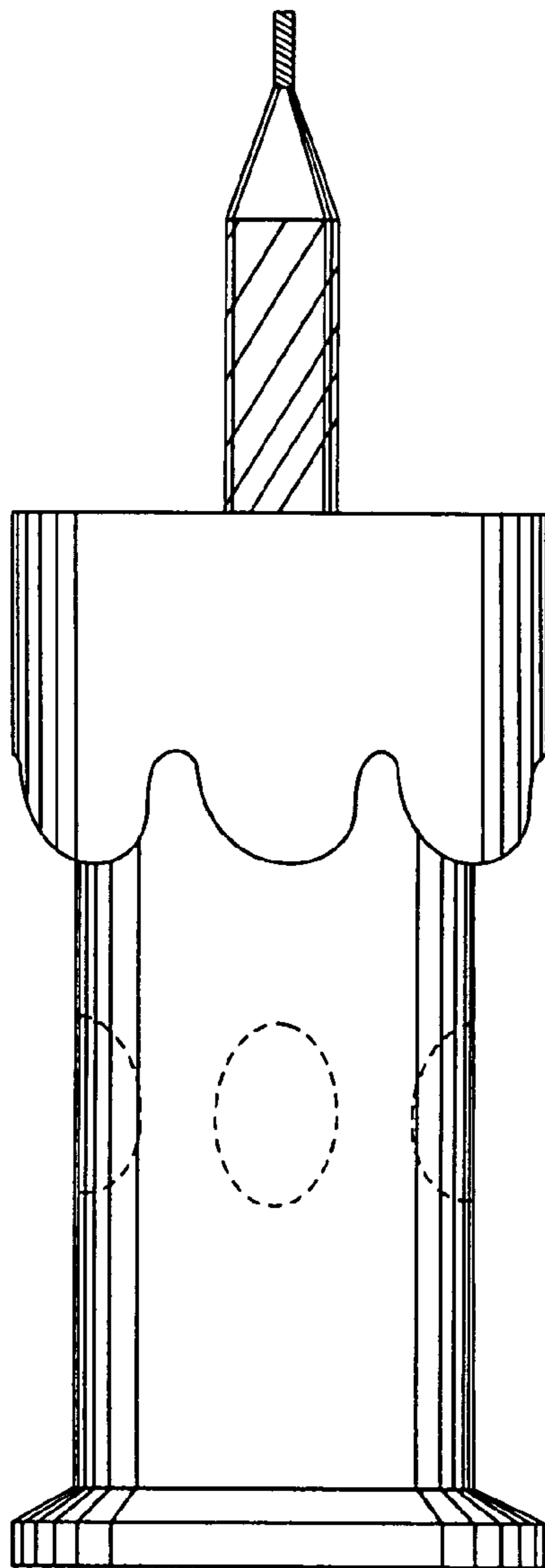


FIG. 1

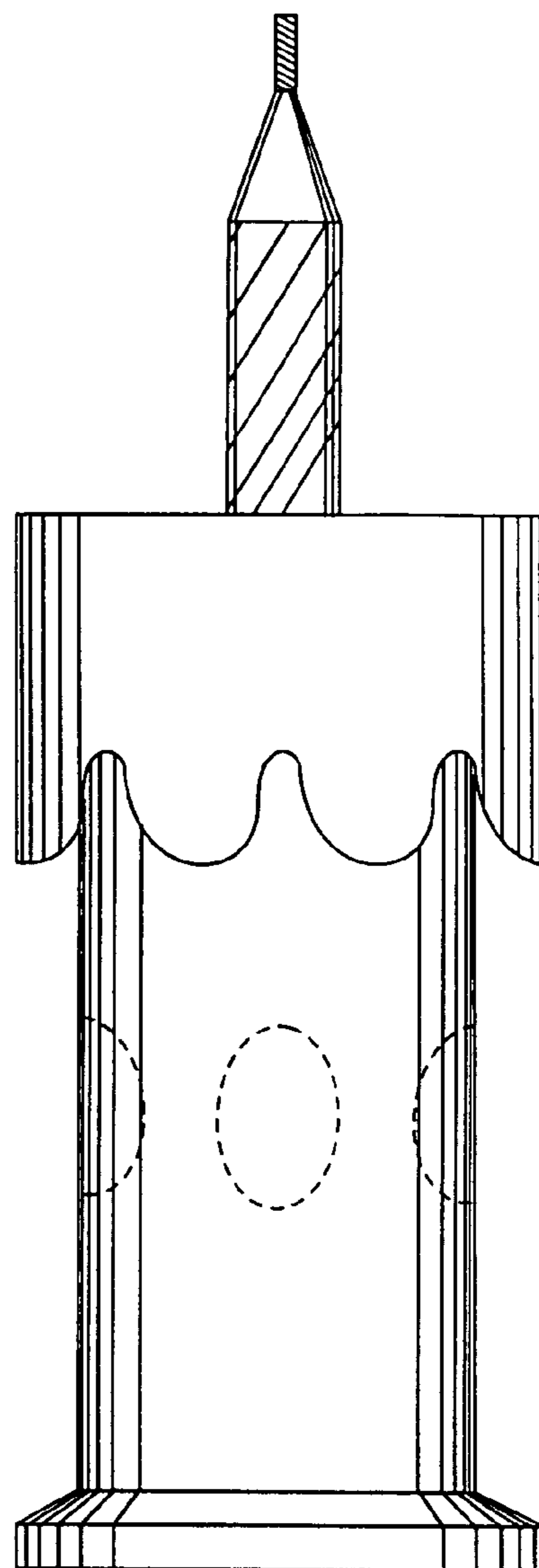


FIG. 2

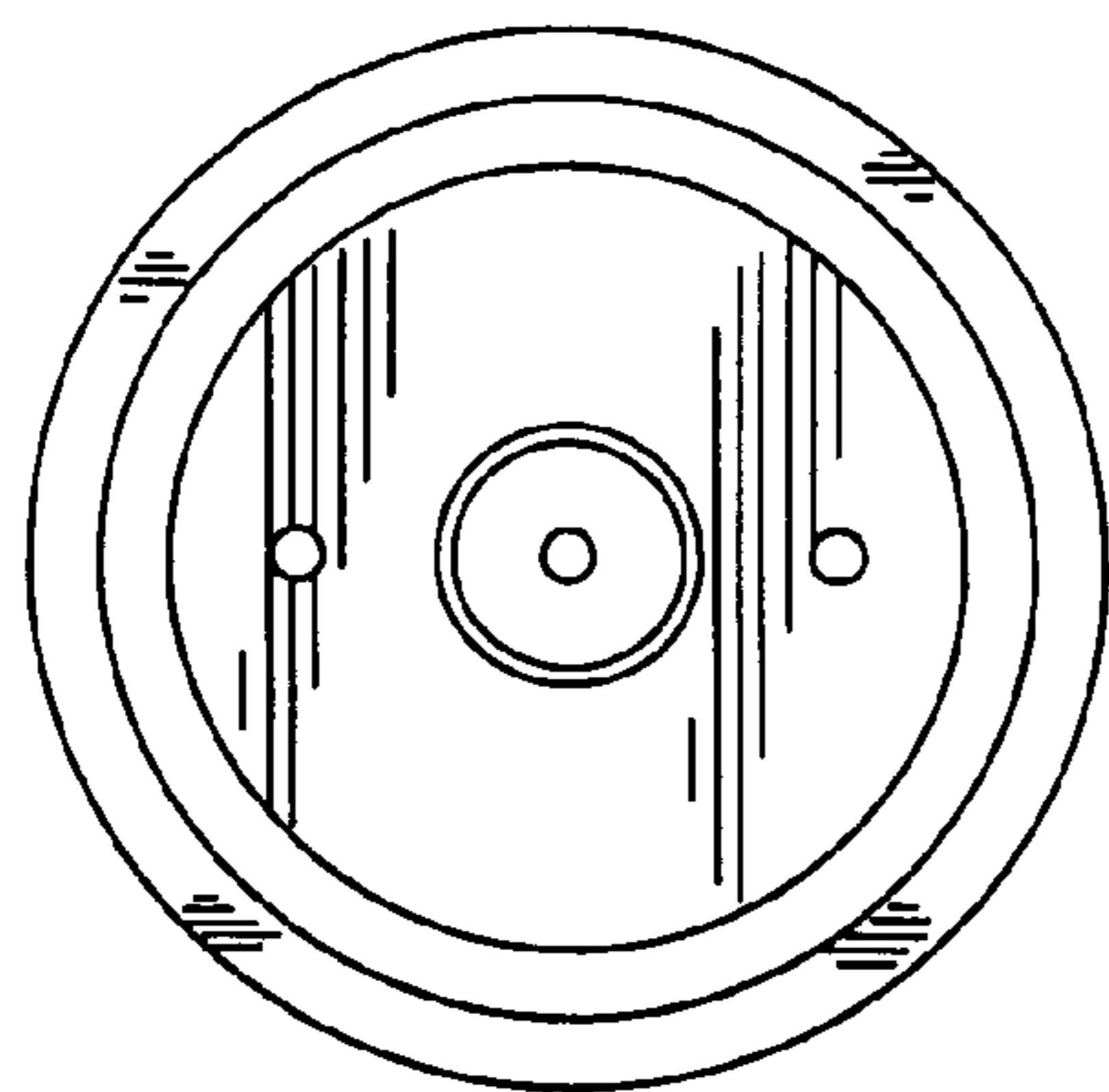


FIG. 3

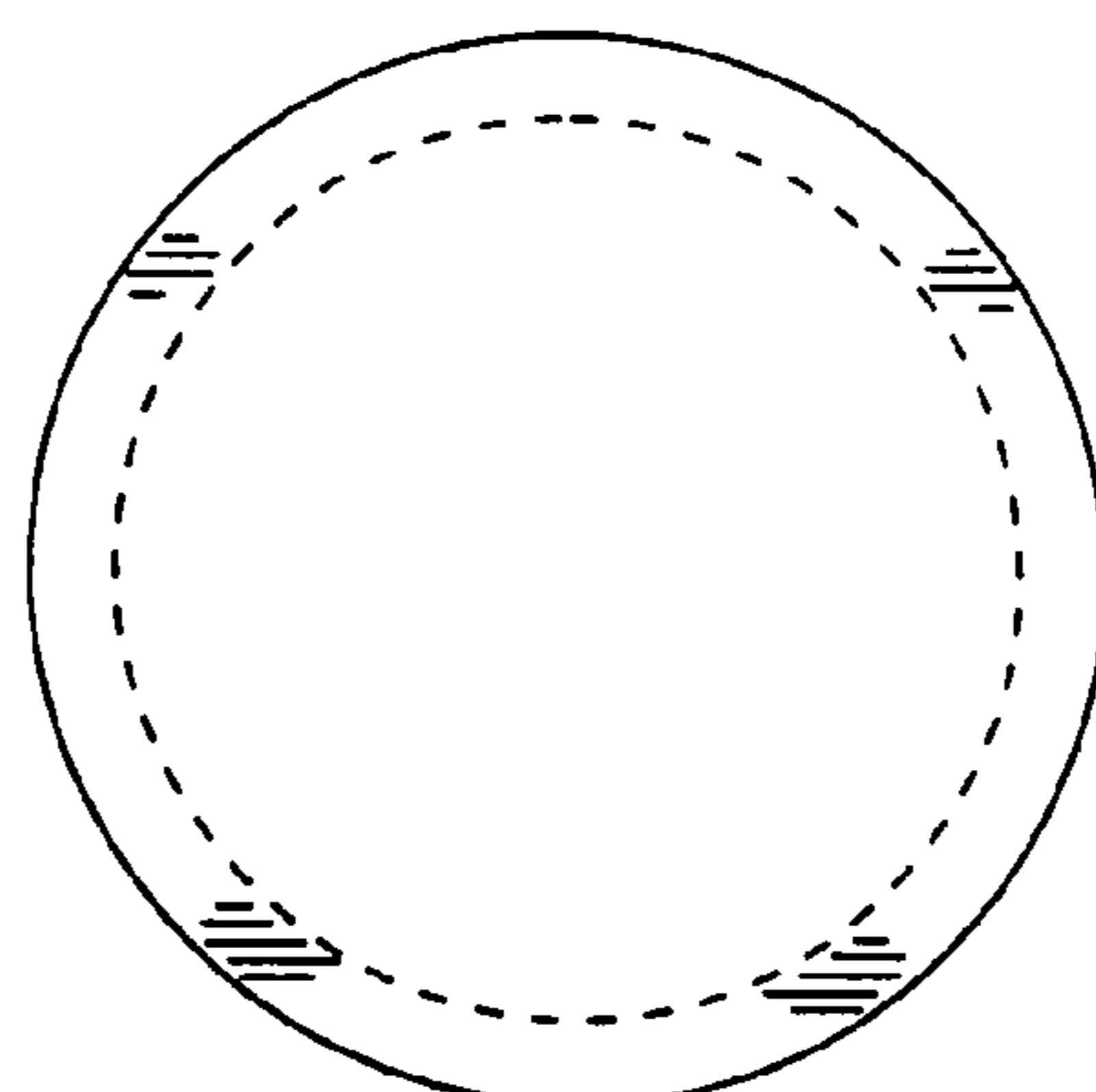


FIG. 4