



US00D595869S

(12) **United States Design Patent**
Adderton

(10) **Patent No.:** **US D595,869 S**

(45) **Date of Patent:** **** Jul. 7, 2009**

(54) **POST**

(75) Inventor: **David Adderton**, Adelaide (AU)

(73) Assignee: **Harkk Pty Ltd.**, Wingfield (AU)

(**) Term: **14 Years**

(21) Appl. No.: **29/294,301**

(22) Filed: **Jan. 3, 2008**

(30) **Foreign Application Priority Data**

Jul. 6, 2007 (AU) 18736/2007

(51) **LOC (9) Cl.** **25-01**

(52) **U.S. Cl.** **D25/124**

(58) **Field of Classification Search** D25/126,
D25/125; 52/301; 256/65.01, 65.02, 65.11,
256/65.14

See application file for complete search history.

(56) **References Cited**

U.S. PATENT DOCUMENTS

5,364,076 A * 11/1994 Nicholls 256/22
D429,532 S * 8/2000 Siudzinski et al. D25/124

D453,045 S * 1/2002 Ohanesian D25/124
2004/0036064 A1 * 2/2004 Takagi et al. 256/65.02
2007/0012904 A1 * 1/2007 Zell et al. 256/65.06

* cited by examiner

Primary Examiner—Doris Clark

(74) *Attorney, Agent, or Firm*—Olson & Cepuritis, Ltd.

(57) **CLAIM**

The ornamental design for a post, as shown and described.

DESCRIPTION

FIG. 1 is a top plan view of a post;

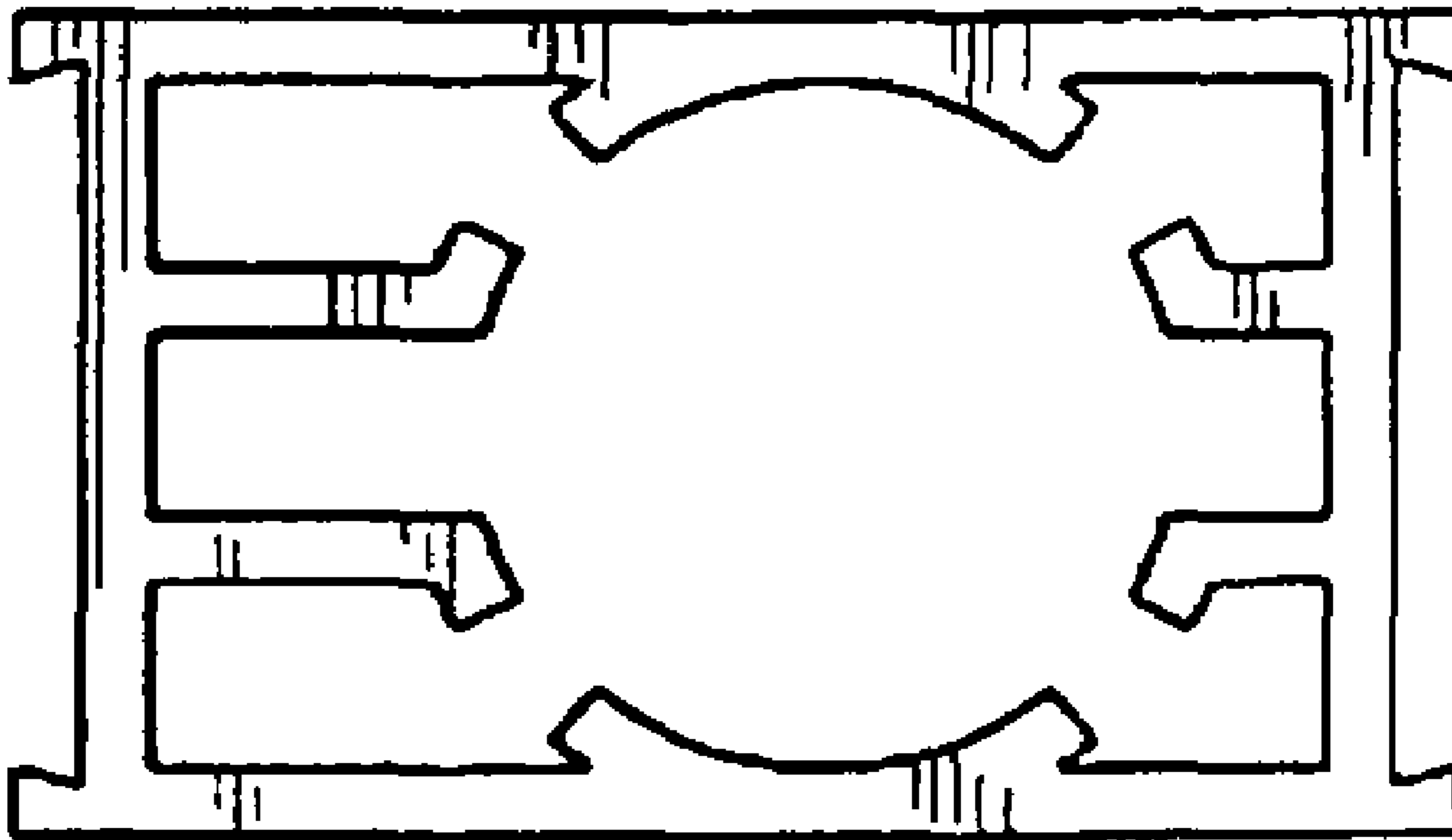
FIG. 2 is a side elevation view of the post of FIG. 1;

FIG. 3 is a front elevation view of the post of FIG. 1; and,

FIG. 4 is a perspective view of the post of FIG. 1.

The claimed design is broken in the center to indicate indefinite length.

1 Claim, 1 Drawing Sheet



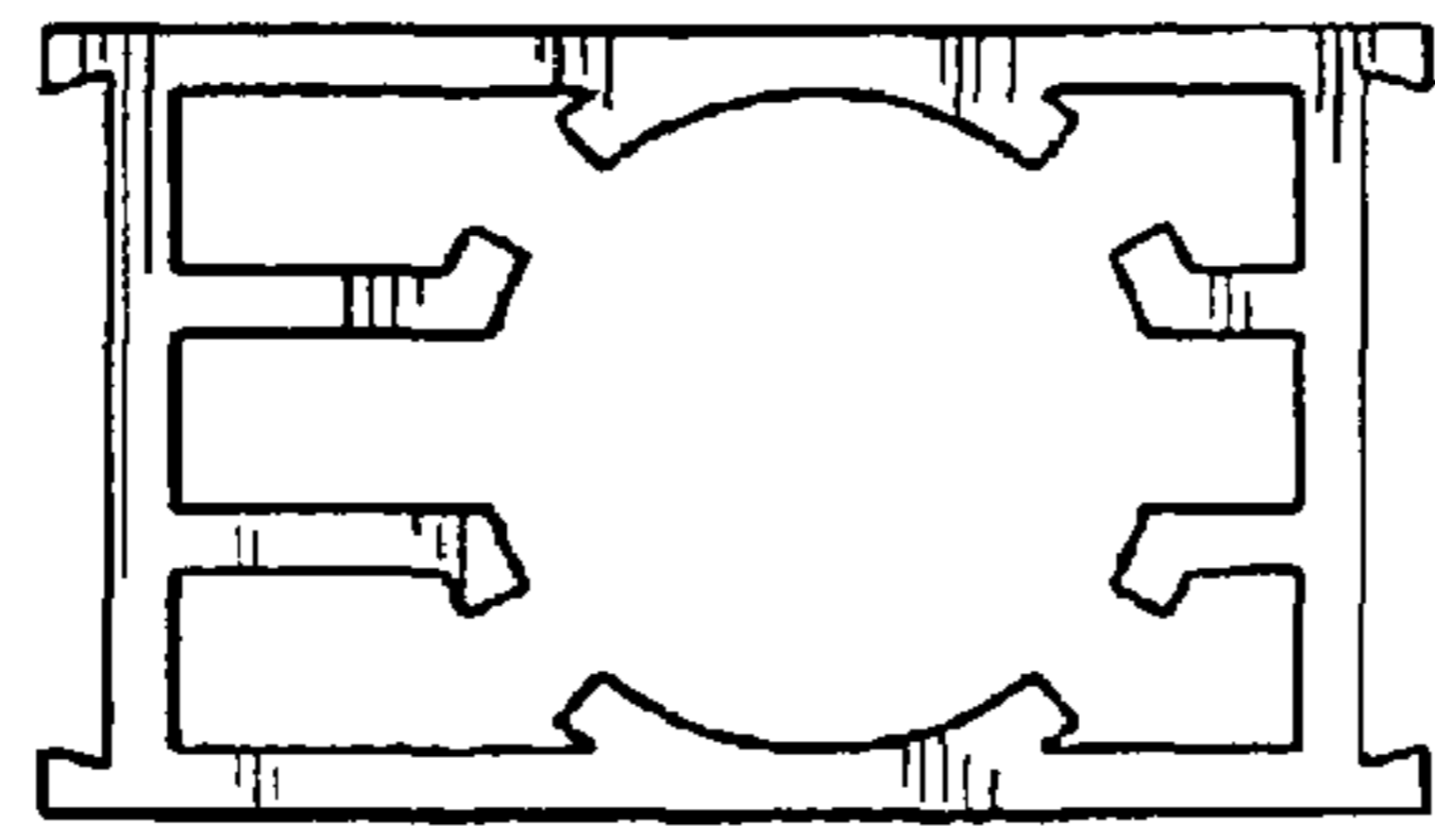


Fig 1

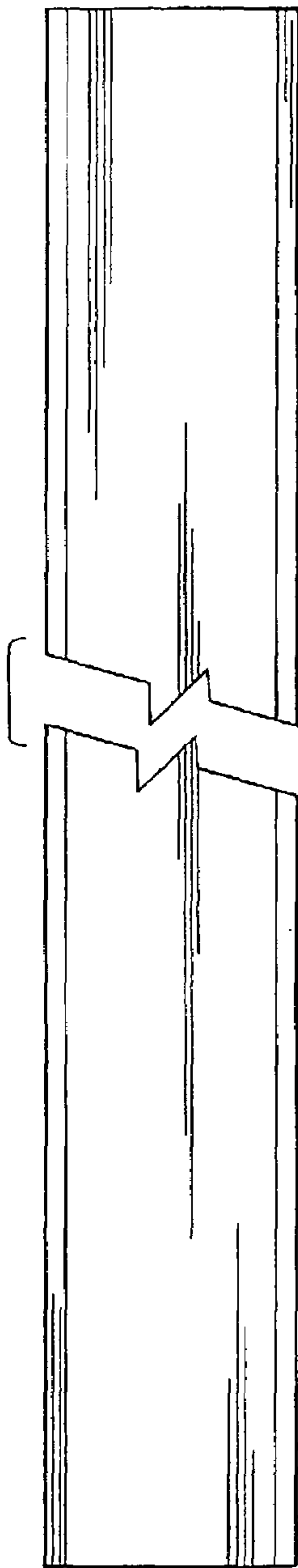


Fig 2

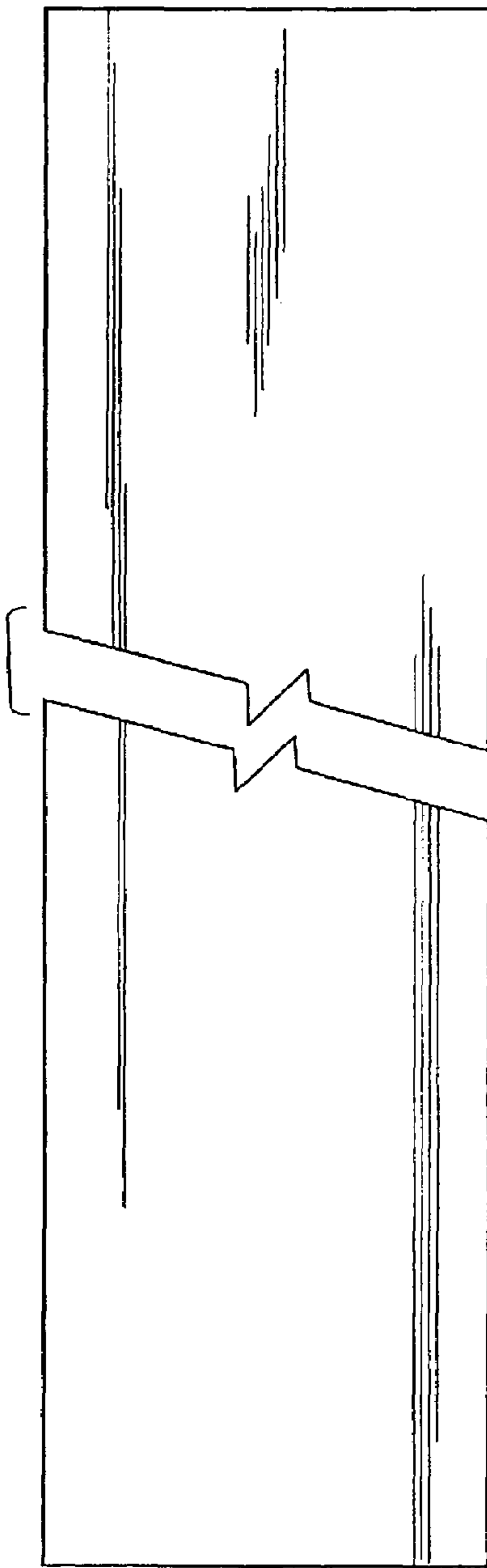


Fig 3

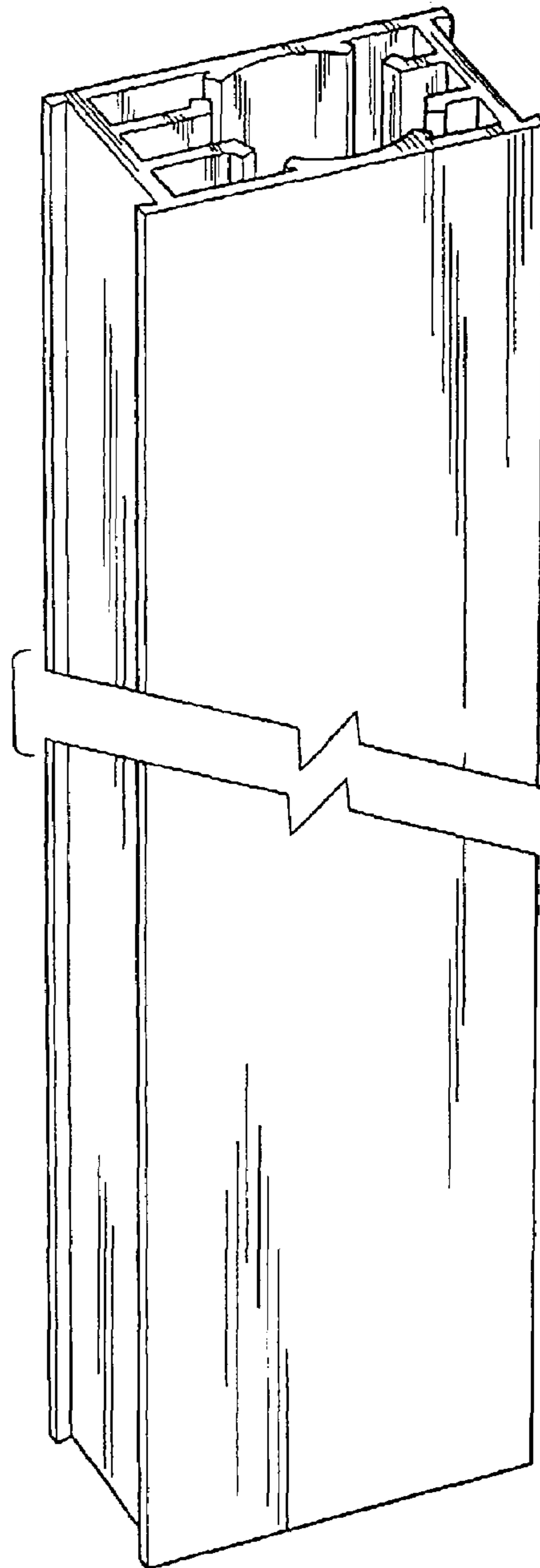


Fig 4