



US00D595865S

(12) **United States Design Patent**  
**Magnusson**

(10) **Patent No.:** **US D595,865 S**  
(45) **Date of Patent:** **\*\* Jul. 7, 2009**

(54) **CANOPY**

(57) **CLAIM**

(75) **Inventor:** **Carl Gustav Magnusson**, New York, NY (US)

I claim the ornamental design for a canopy, as shown and described.

(73) **Assignee:** **TK Canada Limited**, Toronto, Ontario (CA)

**DESCRIPTION**

(\*\*) **Term:** **14 Years**

FIG. 1 is a top perspective view of a first variant of the design; FIG. 2 is a front end elevation view of the first variant (with the rear end elevation view being identical);

(21) **Appl. No.:** **29/283,945**

FIG. 3 is a left side elevation view of the first variant (with the right side elevation view being identical);

(22) **Filed:** **Aug. 28, 2007**

FIG. 4 is a top plan view of the first variant;

(51) **LOC (9) Cl.** ..... **25-02**

FIG. 5 is a bottom plan view of the first variant;

(52) **U.S. Cl.** ..... **D25/56**

FIG. 6 is a perspective view of the first variant installed on a work surface as environment;

(58) **Field of Classification Search** ..... D25/56;  
160/19; 135/85, 908, 155  
See application file for complete search history.

FIG. 7 is a top perspective view of a second variant of the design;

(56) **References Cited**

FIG. 8 is a front end elevation view of the second variant (with the rear end elevation view being identical);

**U.S. PATENT DOCUMENTS**

FIG. 9 is left side elevation view of the second variant (with the right side elevation view being identical),

2,045,840	A *	6/1936	Davey	.....	135/155
3,581,436	A *	6/1971	Basiger	.....	47/22.1
D435,669	S *	12/2000	Kieffer	.....	D25/56
D468,837	S *	1/2003	Shilling et al.	.....	D25/56

FIG. 10 is a top plan view of the second variant;

FIG. 11 is a bottom plan view of the second variant; and,

FIG. 12 is a perspective view of the second variant installed on a work surface as environment.

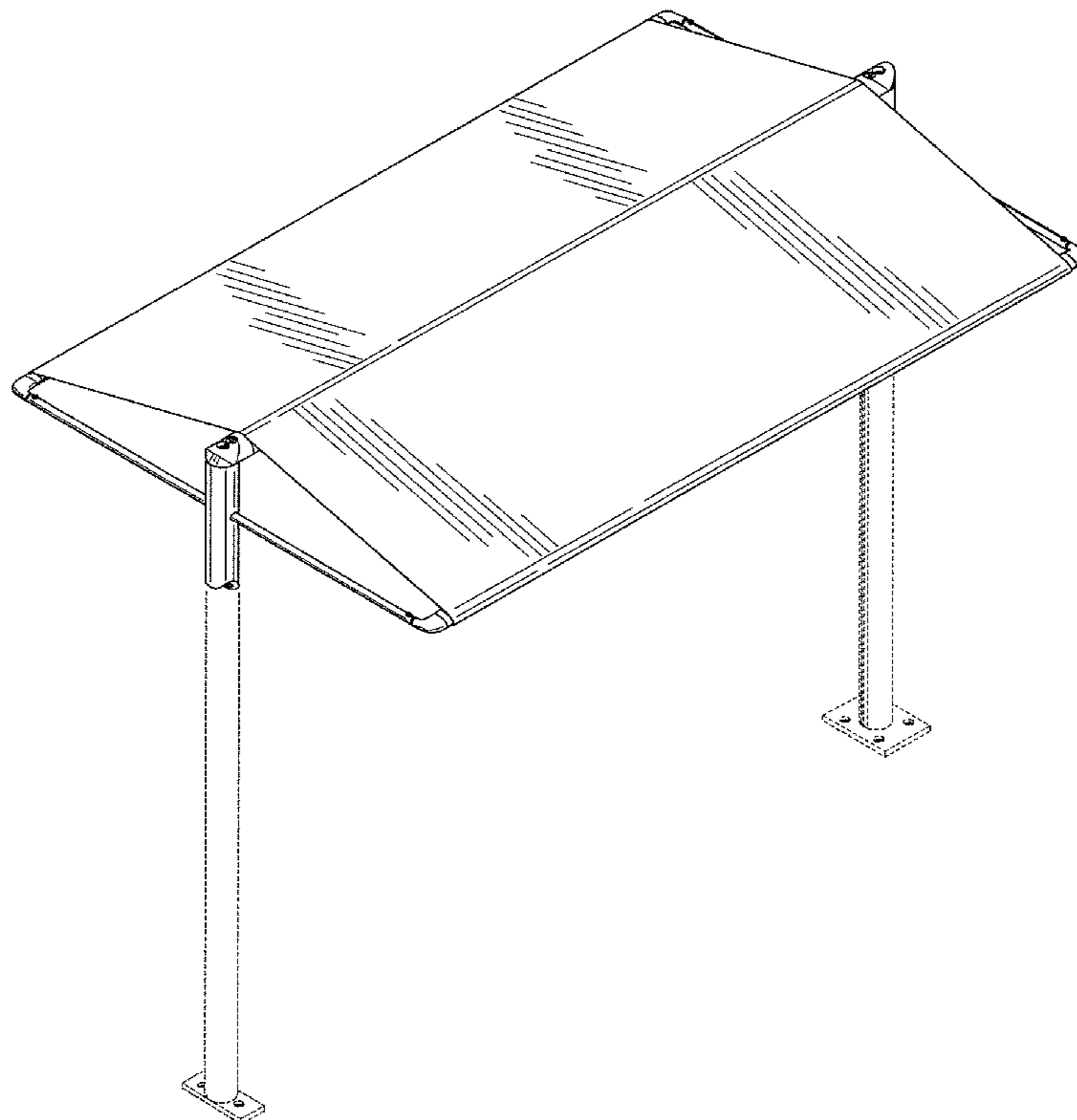
\* cited by examiner

The claimed design in the second variant is broken in the center to show indeterminate length.

*Primary Examiner*—Doris Clark

(74) *Attorney, Agent, or Firm*—Katten Muchin Rosenman LLP

**1 Claim, 11 Drawing Sheets**



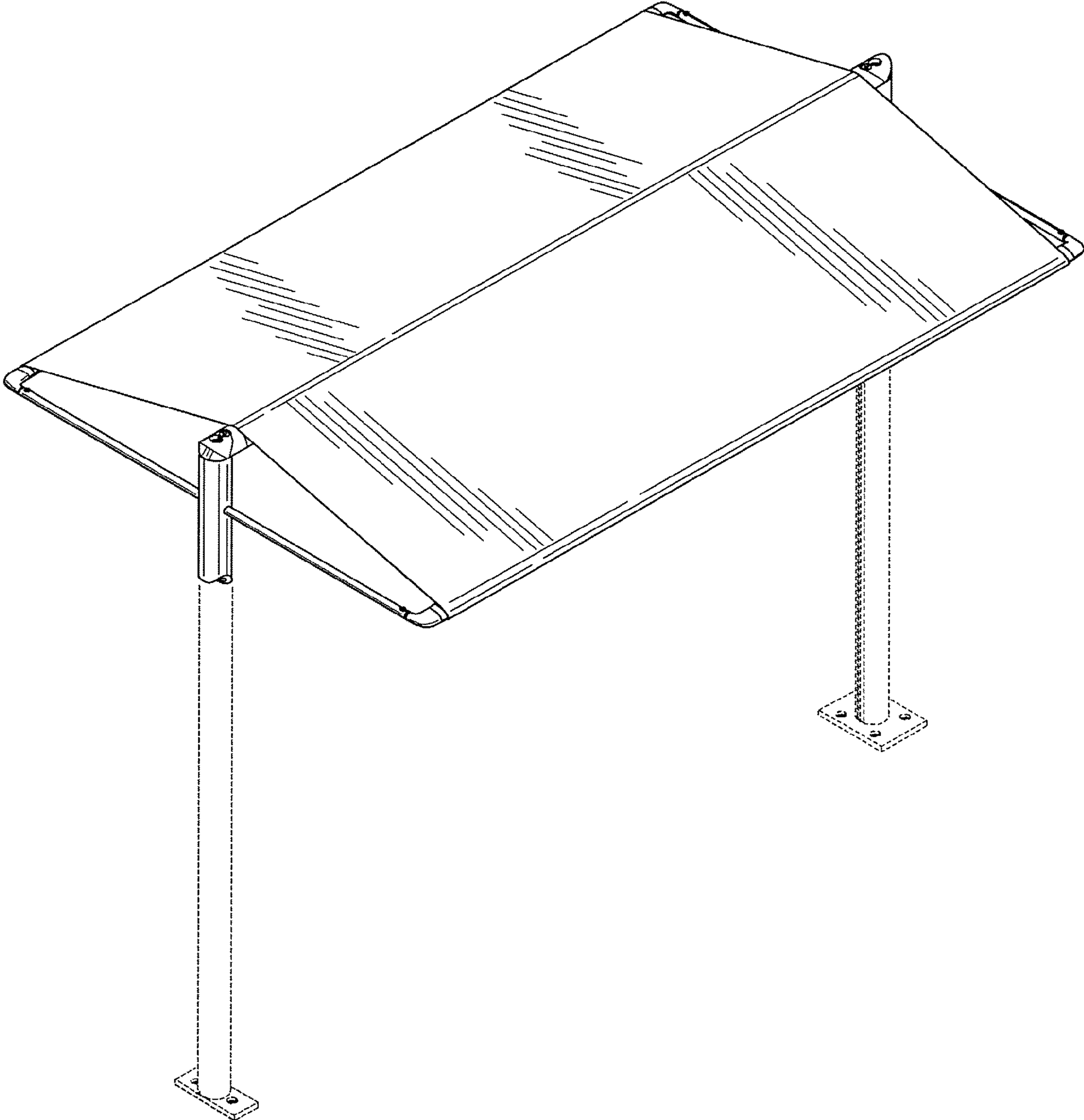
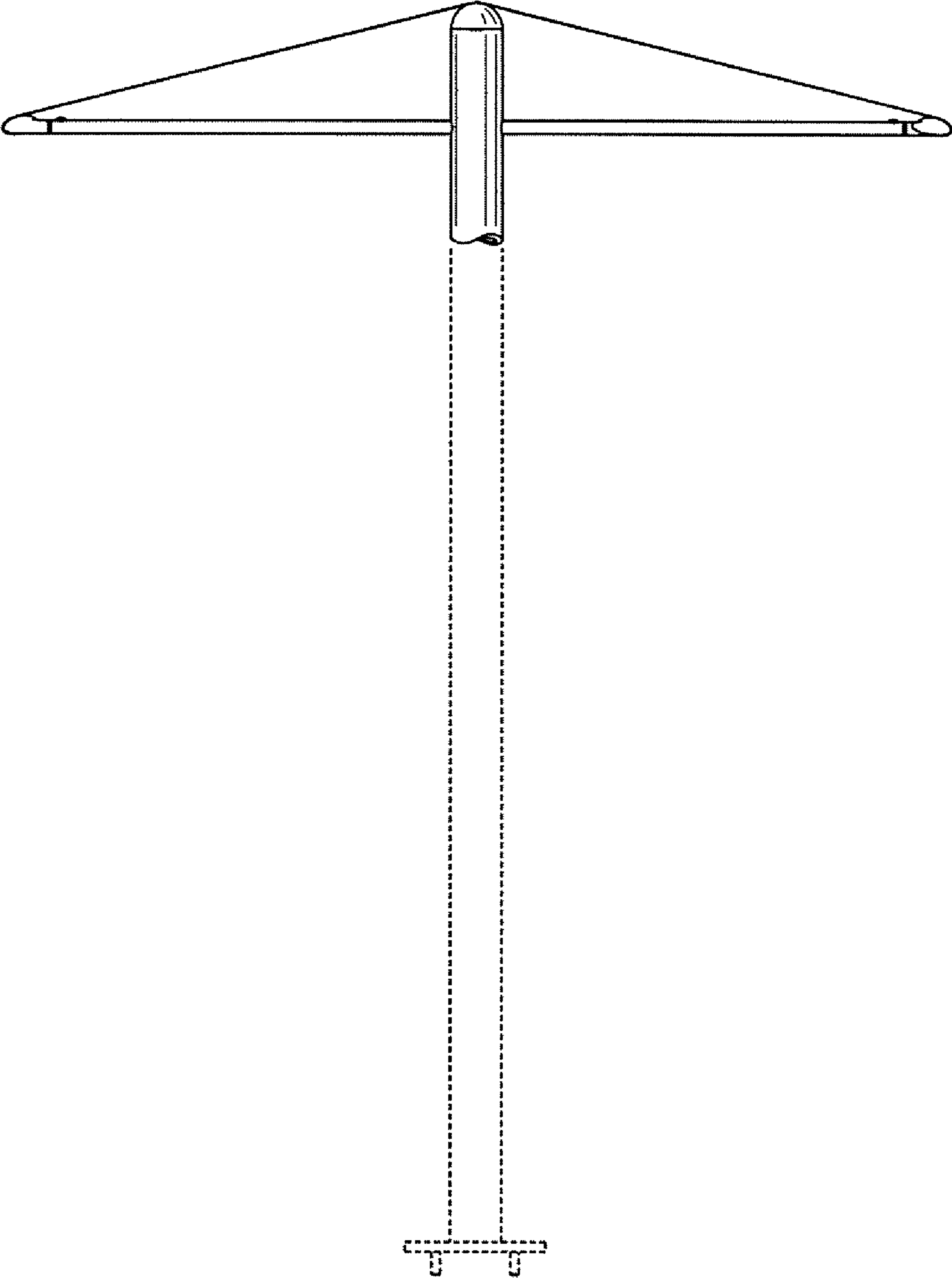


FIG. 1



**FIG. 2**

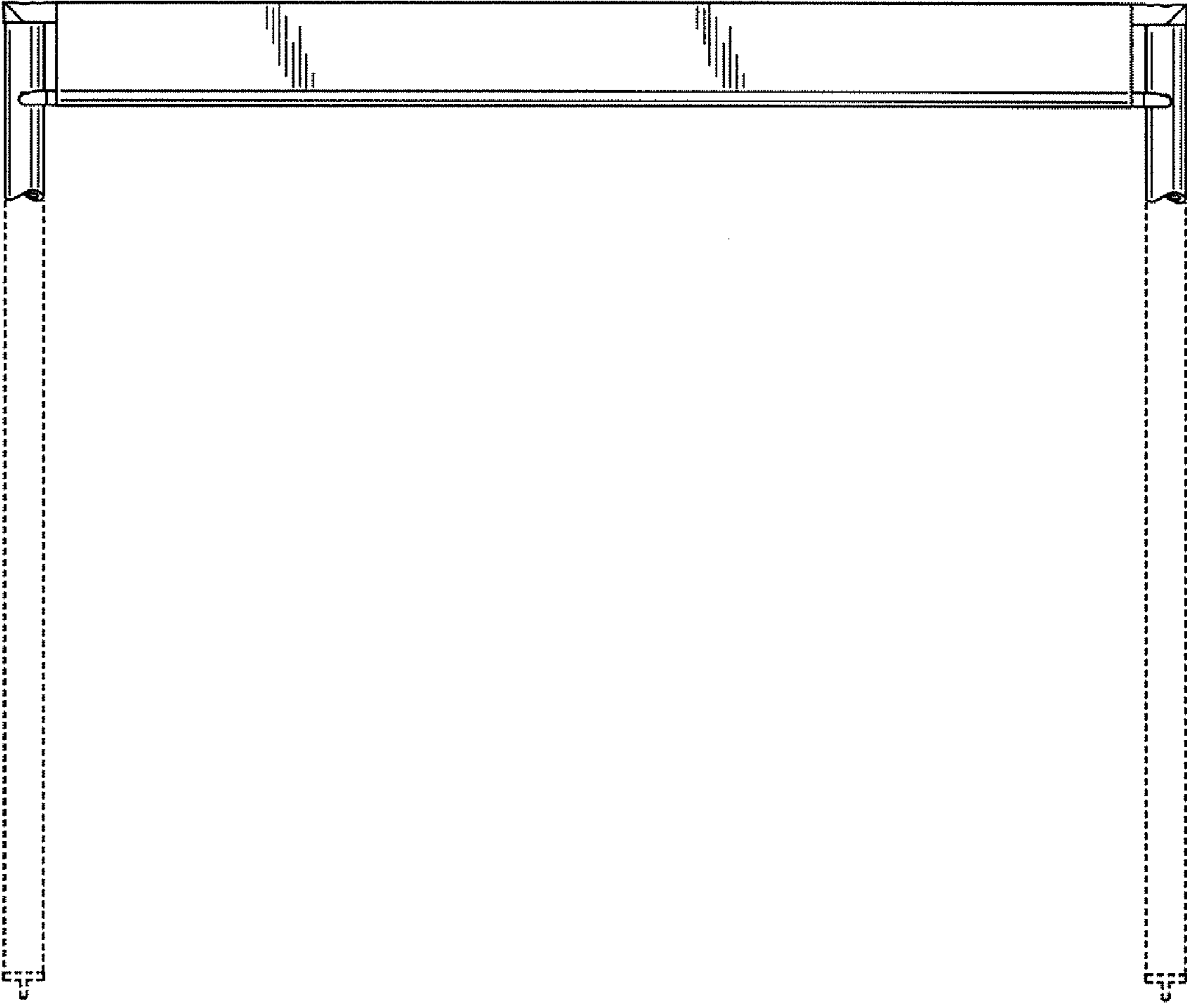


FIG. 3

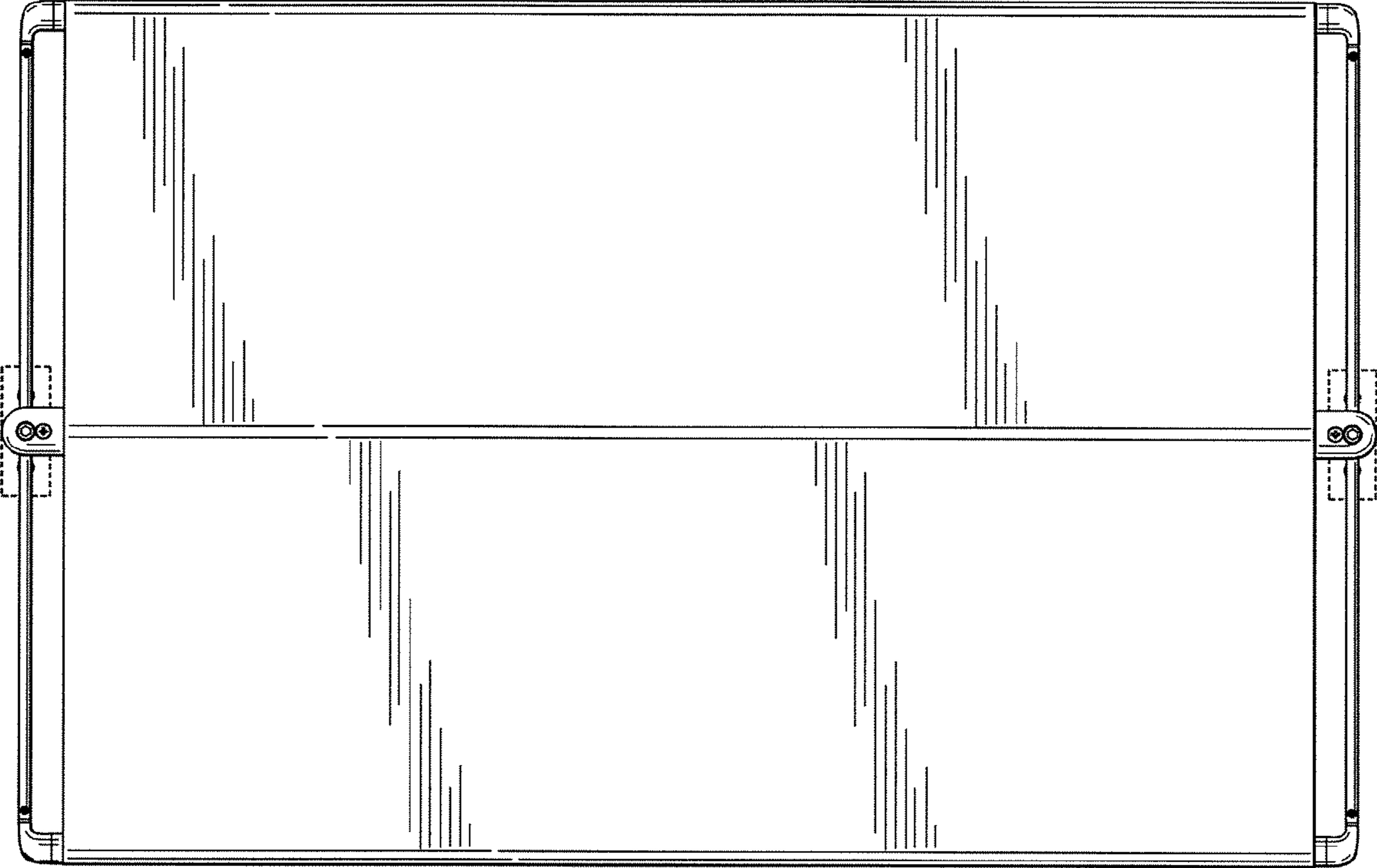


FIG. 4

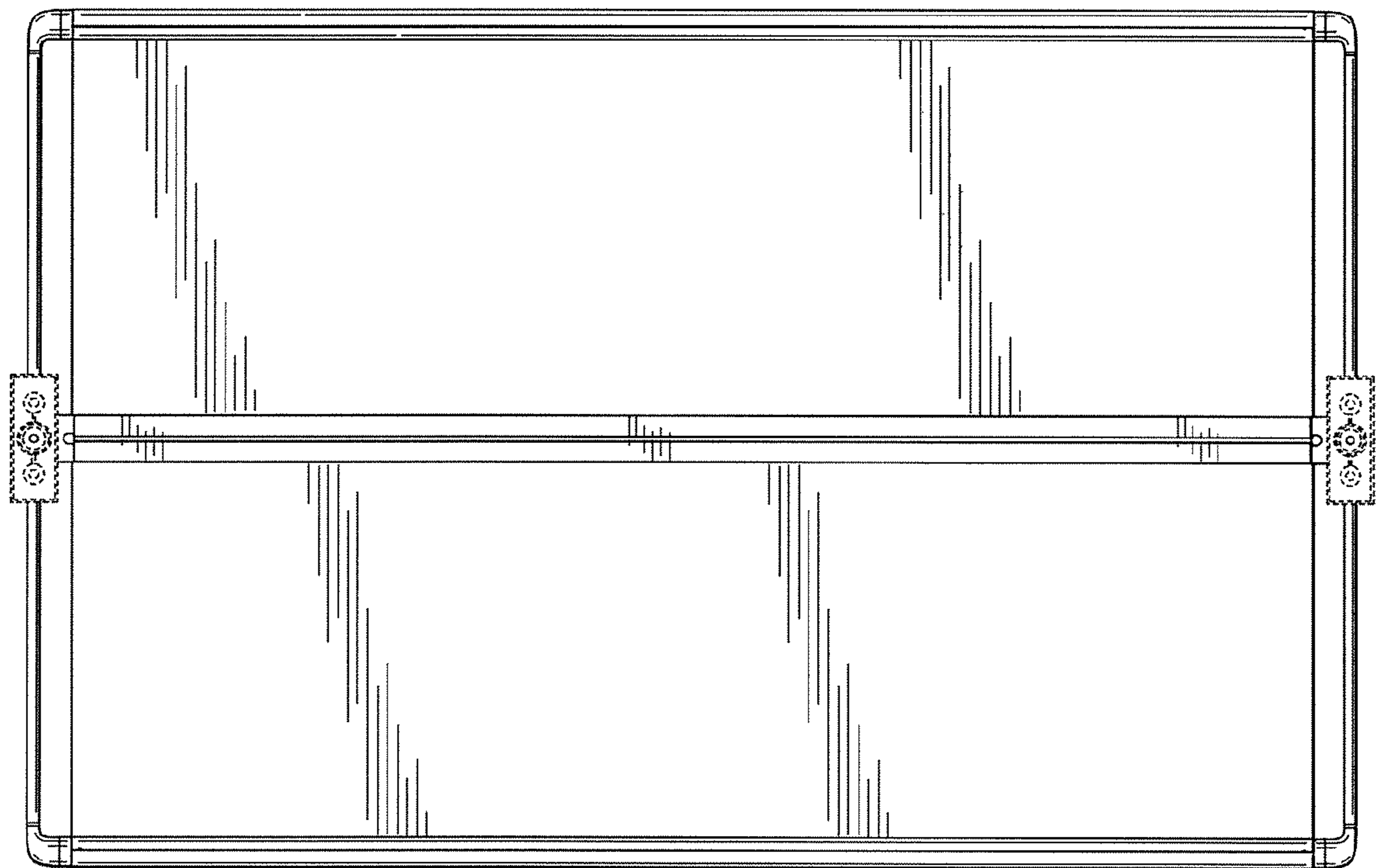
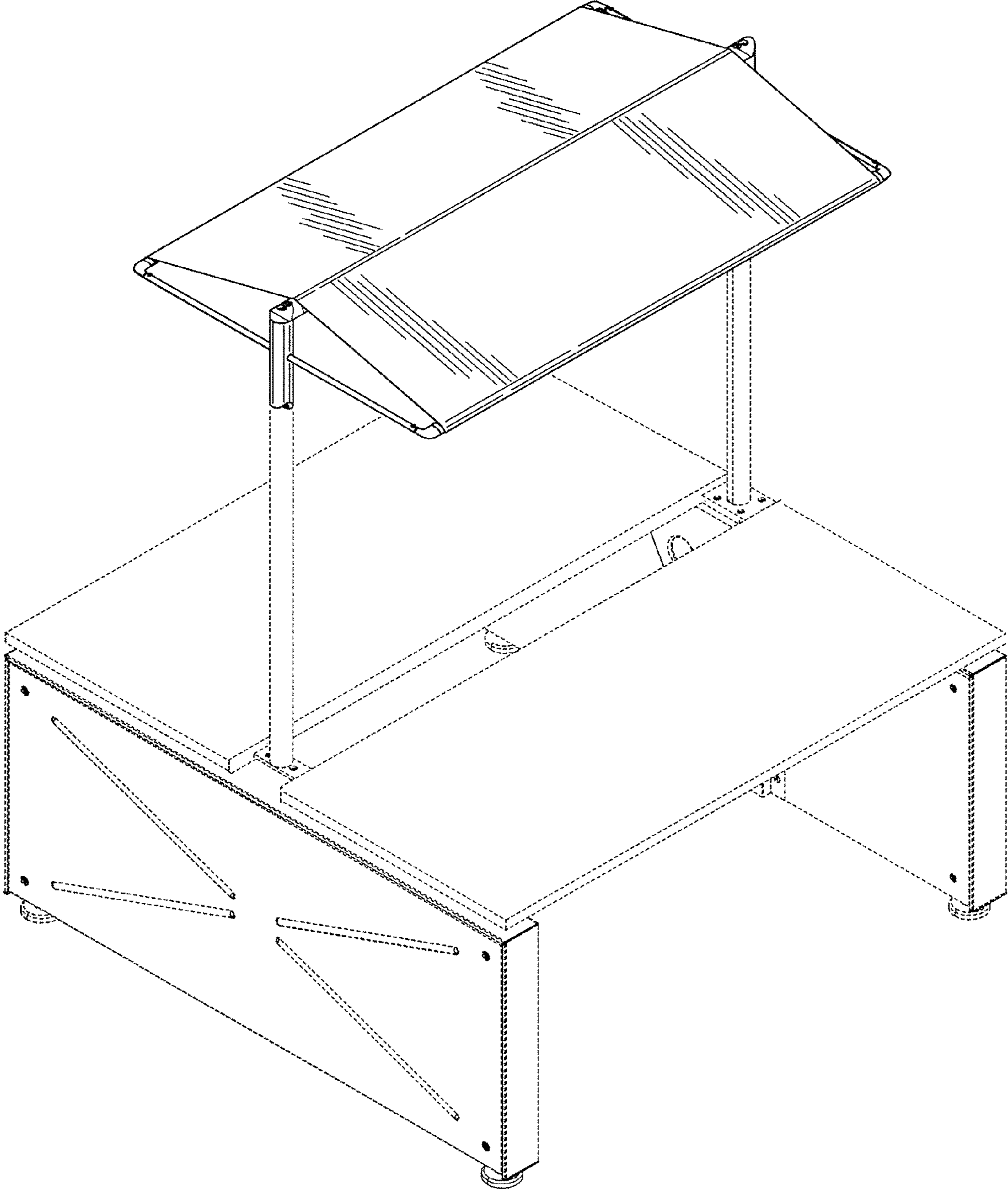
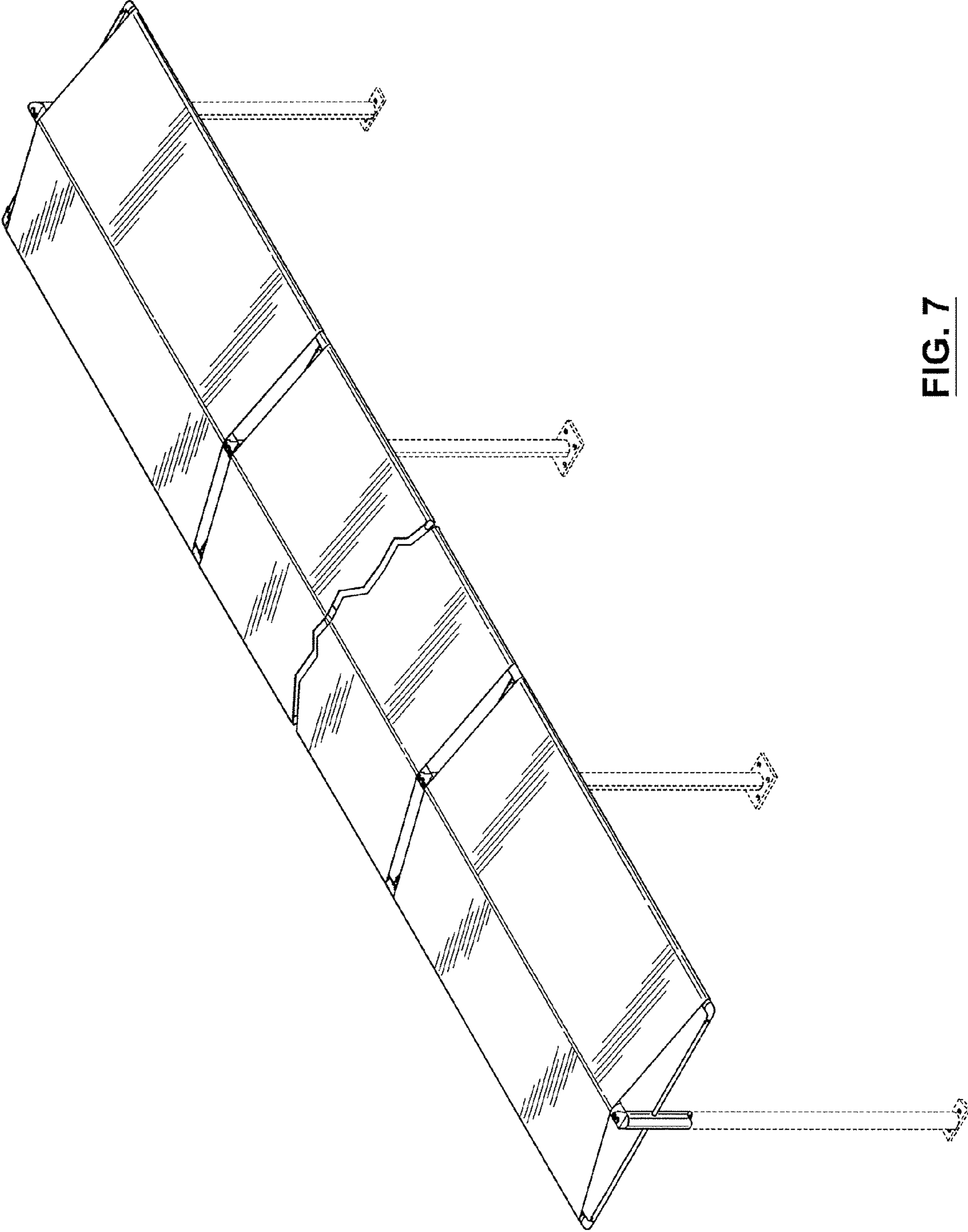


FIG. 5



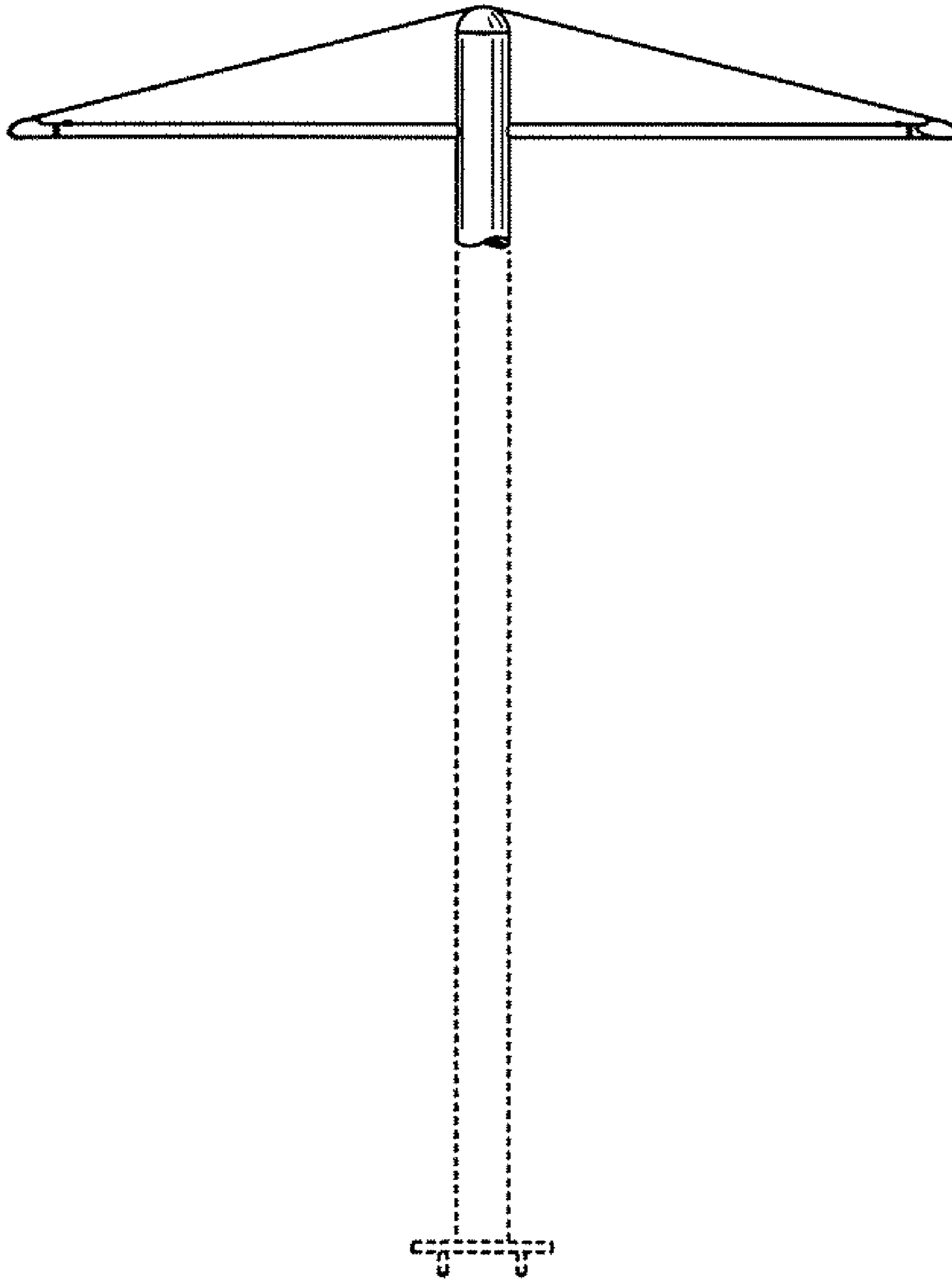


**FIG. 6**

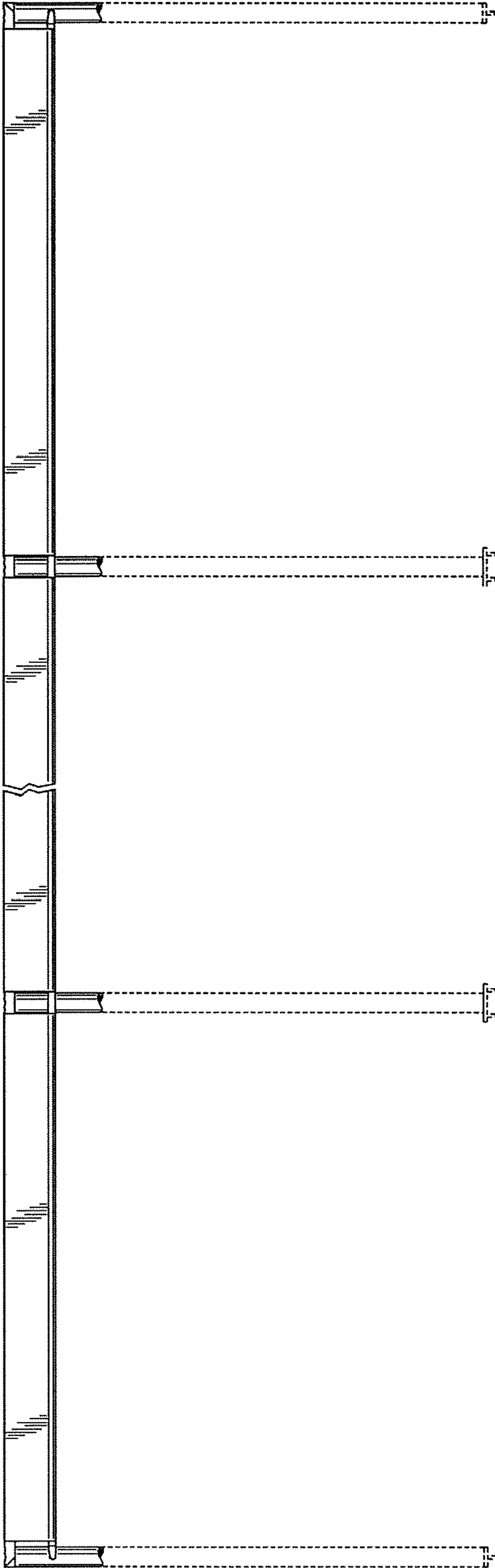


**FIG. 7**

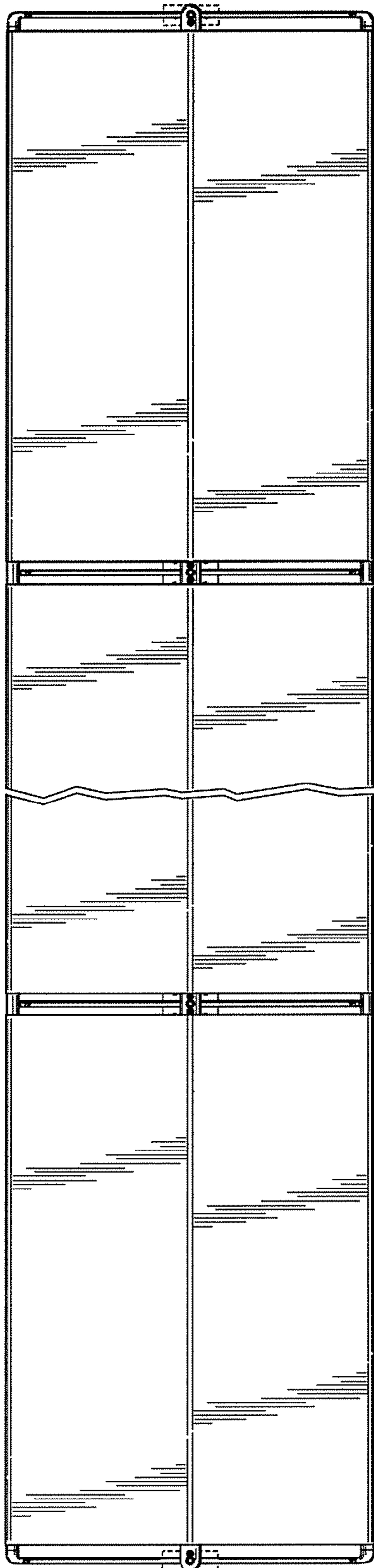




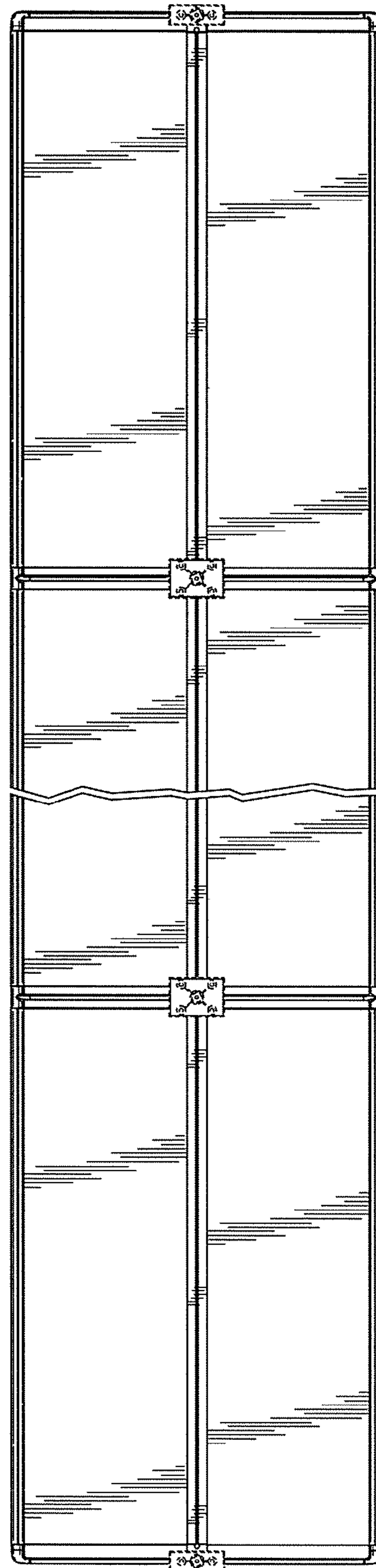
**FIG. 8**



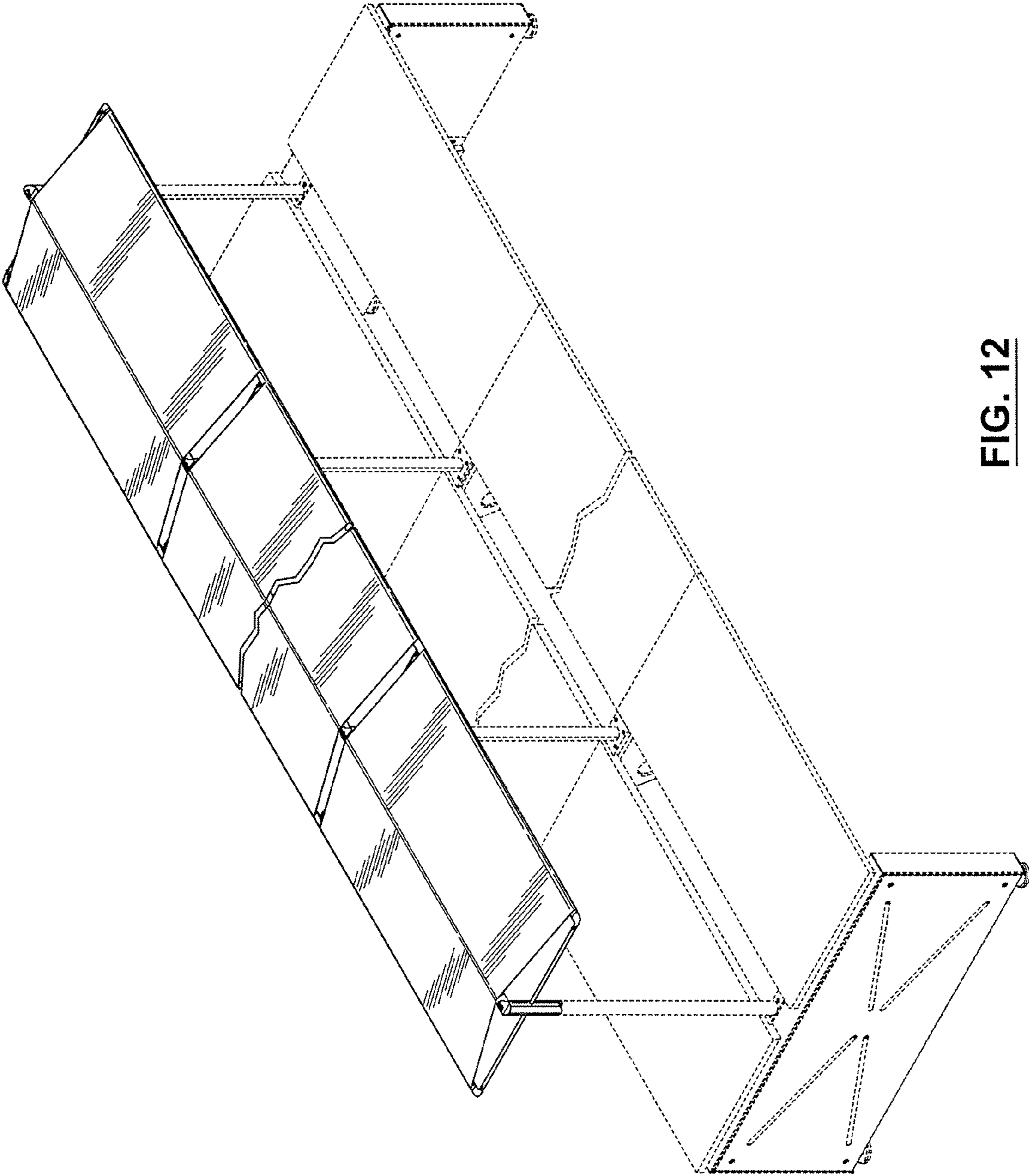
**FIG. 9**



**FIG. 10**



**FIG. 11**



**FIG. 12**