



US00D595864S

(12) **United States Design Patent**
Dong

(10) **Patent No.:** **US D595,864 S**
(45) **Date of Patent:** **** Jul. 7, 2009**

(54) **FENCE**

D166,382 S	4/1952	Falatico
D195,515 S	6/1963	Case
4,074,893 A	2/1978	Coltrin
5,613,664 A	3/1997	Svalbe
6,254,064 B1	7/2001	Gibbs
6,848,677 B2	2/2005	Cantley
D574,968 S	8/2008	Dong

(75) Inventor: **Jane Dong**, Hackensack, NJ (US)

(73) Assignee: **XM International, Inc.**, Hackensack, NJ (US)

(**) Term: **14 Years**

(21) Appl. No.: **29/310,351**

(22) Filed: **Aug. 11, 2008**

Primary Examiner—Doris Clark
(74) *Attorney, Agent, or Firm*—Brandon N. Sklar, Esq.; Kaye Scholer LLP.

Related U.S. Application Data

(62) Division of application No. 29/271,315, filed on Jan. 16, 2007, now Pat. No. Des. 574,968.

Foreign Application Priority Data

(30) Jul. 18, 2006 (CN) 2006 3 0038966

(51) **LOC (9) Cl.** **25-02**

(52) **U.S. Cl.** **D25/38**

(58) **Field of Classification Search** D25/43,
D25/38, 42; 256/19, 22, 65.01, 65.14, 65.11,
256/65.02, DIG. 5, 33, 34; 52/301, 720.1,
52/745.17

See application file for complete search history.

(56) **References Cited**

U.S. PATENT DOCUMENTS

D133,482 S 8/1942 MacKenzie

(57) **CLAIM**

The ornamental design for a fence, as shown and described.

DESCRIPTION

FIG. 1 is a perspective view of a fence; the broken lines are for illustrative purposes only and form no part of the claimed design.

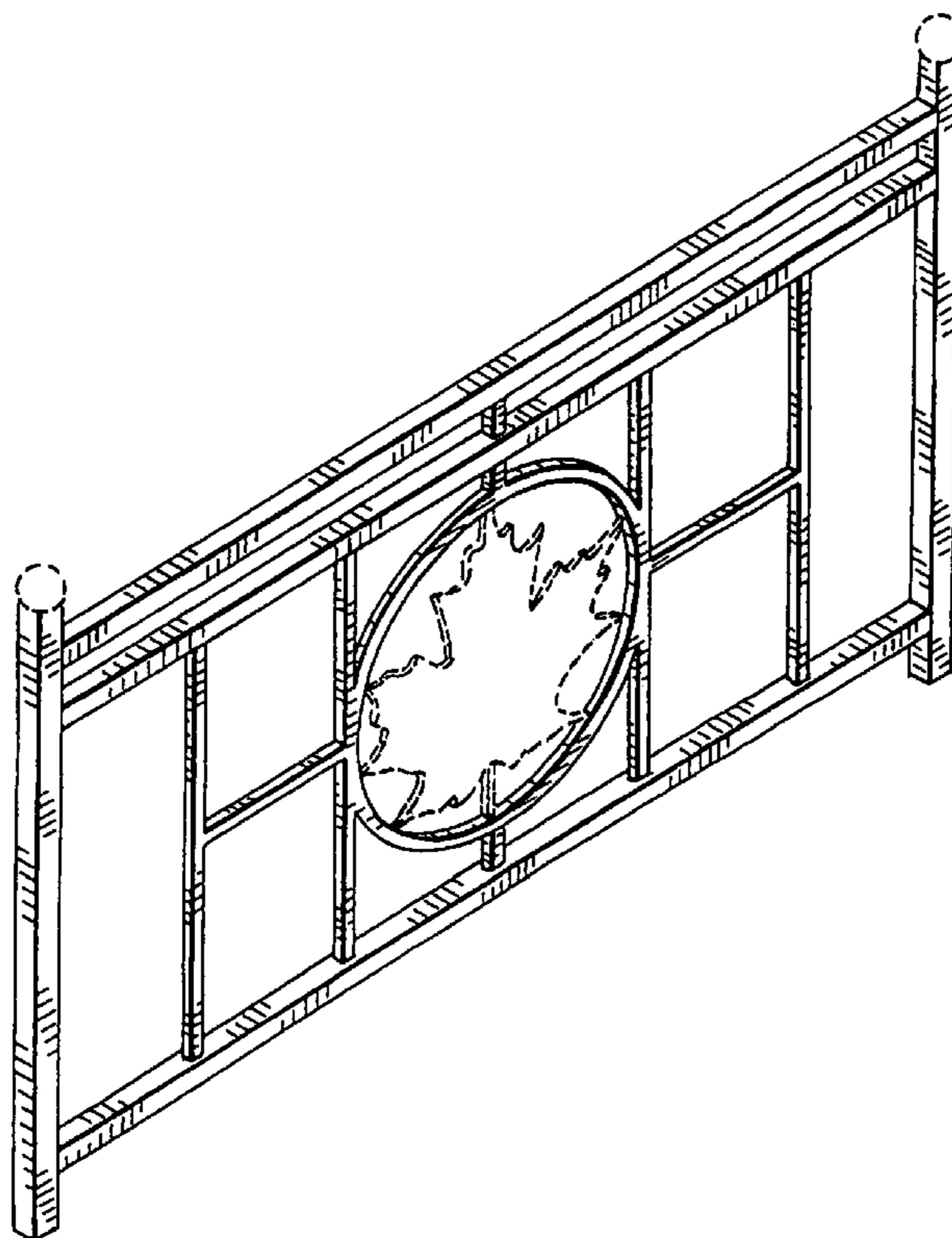
FIG. 2 is a left side view; the right side view is a mirror image thereof;

FIG. 3 is a top view thereof;

FIG. 4 is a front view thereof; and,

FIG. 5 is a bottom view thereof.

1 Claim, 2 Drawing Sheets



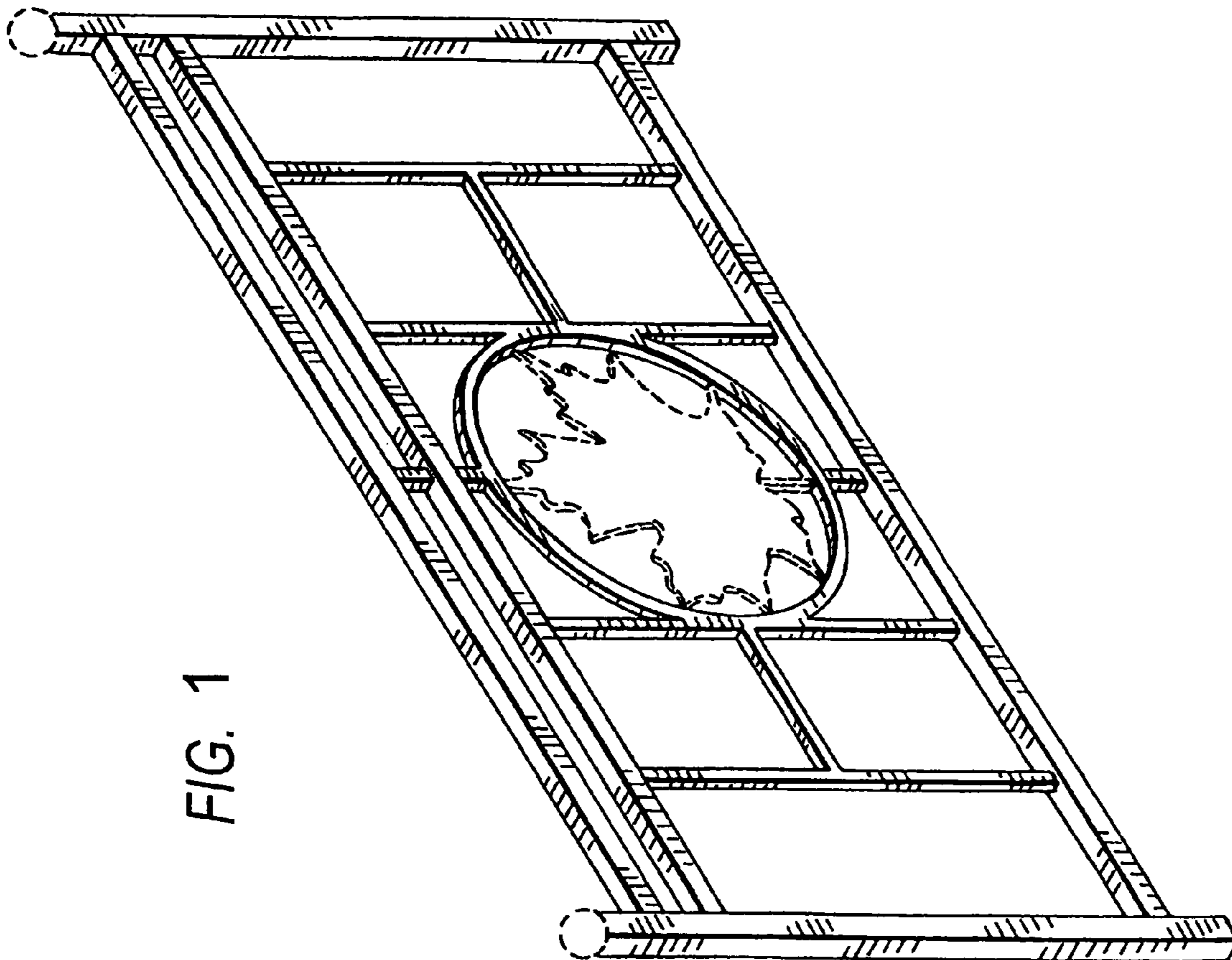


FIG. 1

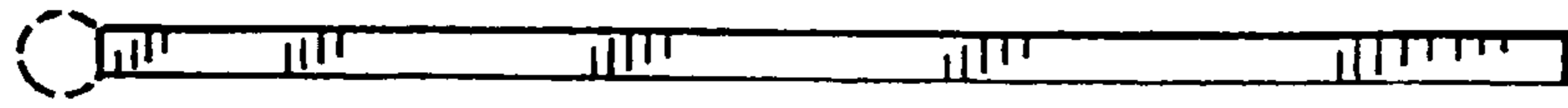


FIG. 2



FIG. 3

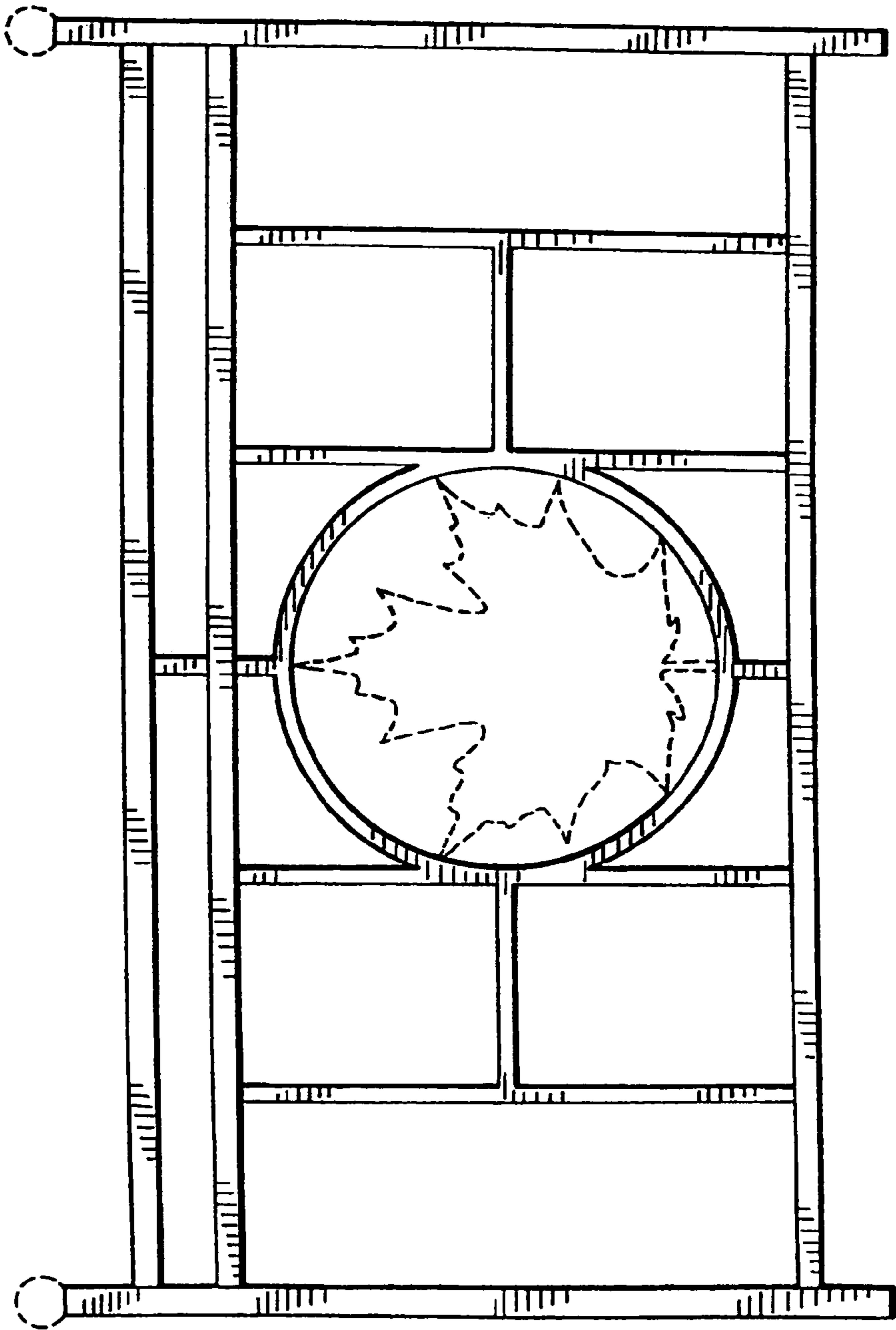


FIG. 4



FIG. 5