



US00D595863S

(12) **United States Design Patent**
Suzuki et al.

(10) **Patent No.:** **US D595,863 S**
(45) **Date of Patent:** **** Jul. 7, 2009**

(54) **ADAPTER FOR A SAMPLE RACK**
(75) Inventors: **Kouichi Suzuki**, Hitachinaka (JP);
Nobuo Suzuki, Hitachinaka (JP); **Seiji**
Nomura, Tokai (JP)

(73) Assignee: **Hitachi High-Technologies**
Corporation, Tokyo (JP)

(**) Term: **14 Years**

(21) Appl. No.: **29/309,877**

(22) Filed: **Oct. 30, 2008**

(30) **Foreign Application Priority Data**

Jul. 18, 2008 (JP) 2008-018580

(51) **LOC (9) Cl.** **24-02**

(52) **U.S. Cl.** **D24/227**

(58) **Field of Classification Search** D24/108,
D24/127-130, 227-232; D8/29; D15/140;
D23/259, 262; 422/99-104, 250, 266, 297,
422/300, 476

See application file for complete search history.

(56) **References Cited**

U.S. PATENT DOCUMENTS

D296,559 S * 7/1988 Drabinski D15/140
D349,758 S * 8/1994 Hallbach et al. D23/259
D363,541 S * 10/1995 Cottone et al. D24/129
D364,916 S * 12/1995 Hallbach D23/259
D375,788 S * 11/1996 Potts et al. D24/108

D427,308 S * 6/2000 Zinger D24/130
D445,501 S * 7/2001 Niedozial, Jr. D24/129
D449,319 S * 10/2001 Aldred et al. D15/140
D561,303 S * 2/2008 Brockington et al. D23/262
D561,348 S * 2/2008 Zinger et al. D24/231
D564,076 S * 3/2008 Brockington et al. D23/262
D582,230 S * 12/2008 Lin D8/29

* cited by examiner

Primary Examiner—Robert A. Delehanty

Assistant Examiner—Mark Cavanna

(74) *Attorney, Agent, or Firm*—Antonelli, Terry, Stout & Kraus, LLP.

(57) **CLAIM**

The ornamental design for an adapter for a sample rack, as shown.

DESCRIPTION

FIG. 1 is a front and bottom perspective view of an adapter for a sample rack showing our new design;

FIG. 2 is a front elevational view thereof;

FIG. 3 is a rear elevational view thereof;

FIG. 4 is a left side elevational view thereof;

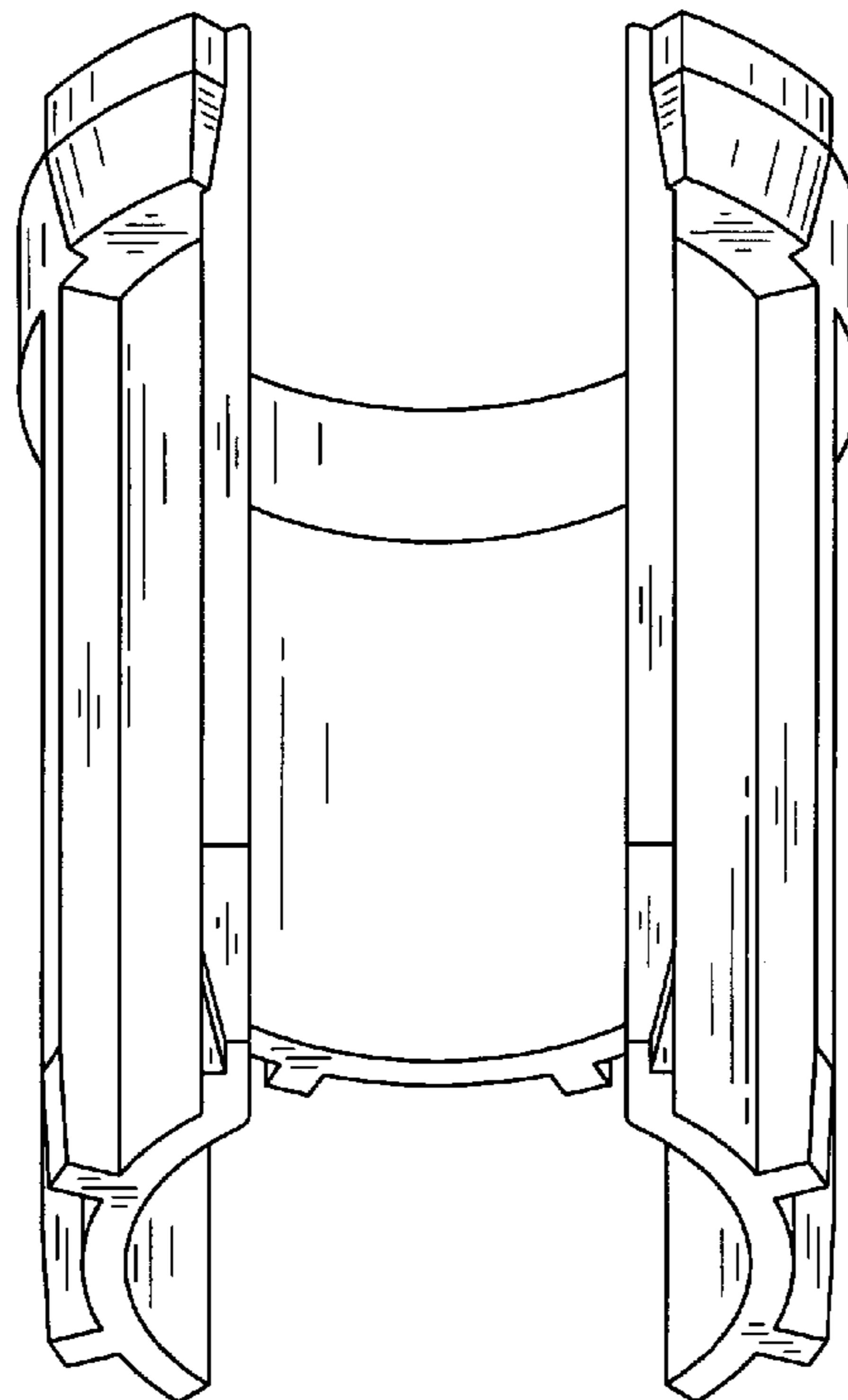
FIG. 5 is a right side elevational view thereof;

FIG. 6 is a top plan view thereof;

FIG. 7 is a bottom plan view thereof; and,

FIG. 8 is a rear, top and right side perspective view thereof.

1 Claim, 5 Drawing Sheets



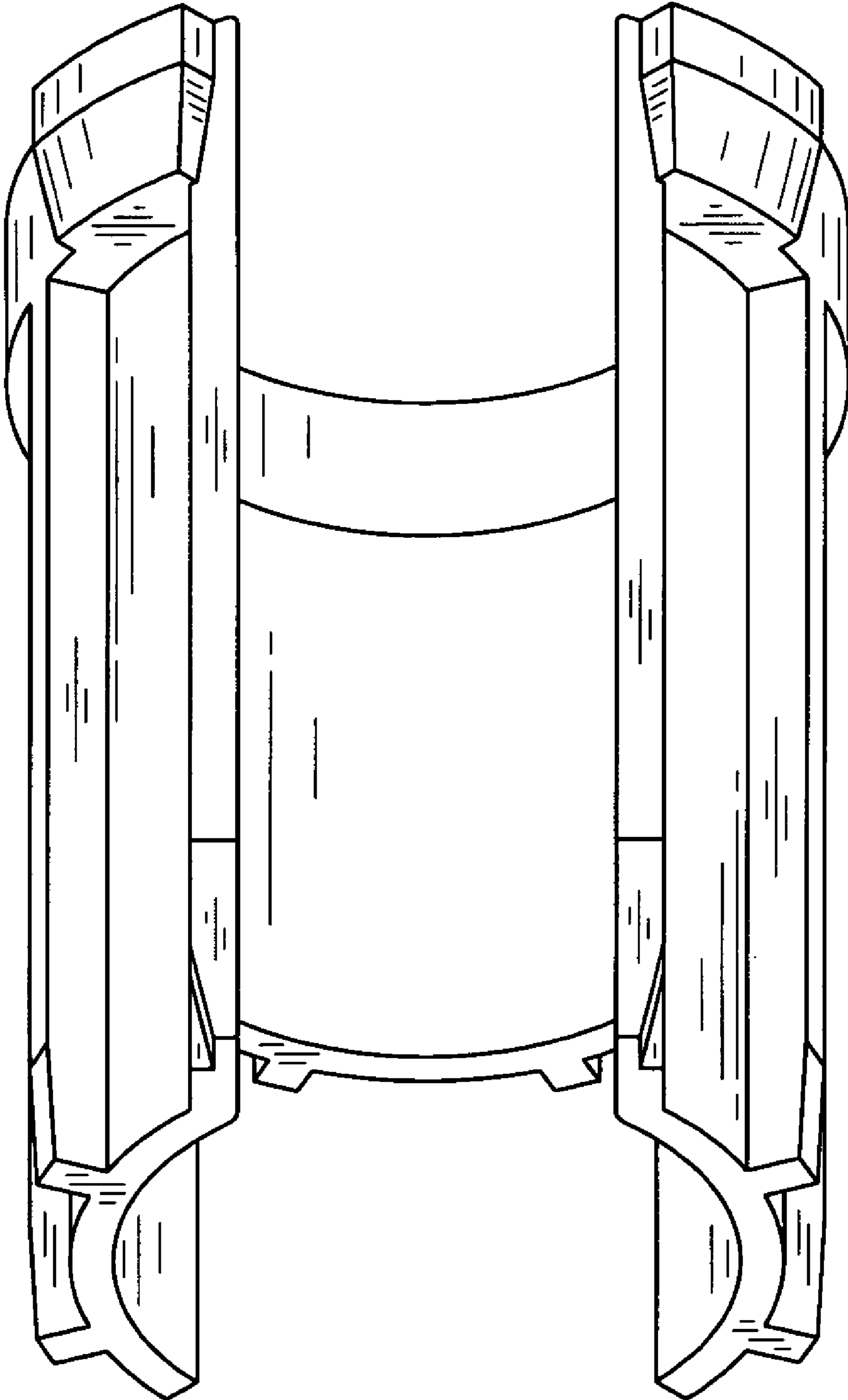


FIG. 1

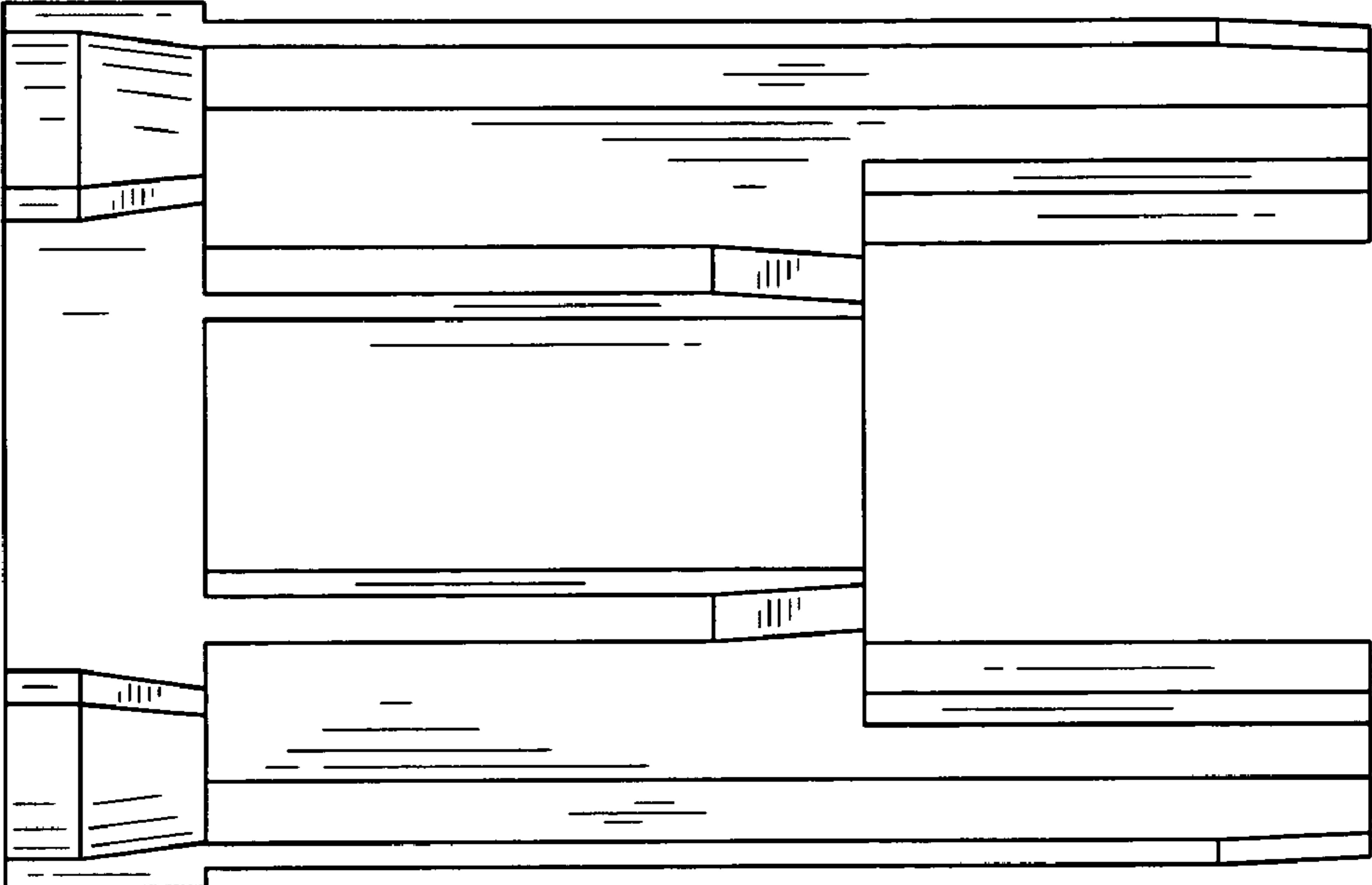


FIG. 3

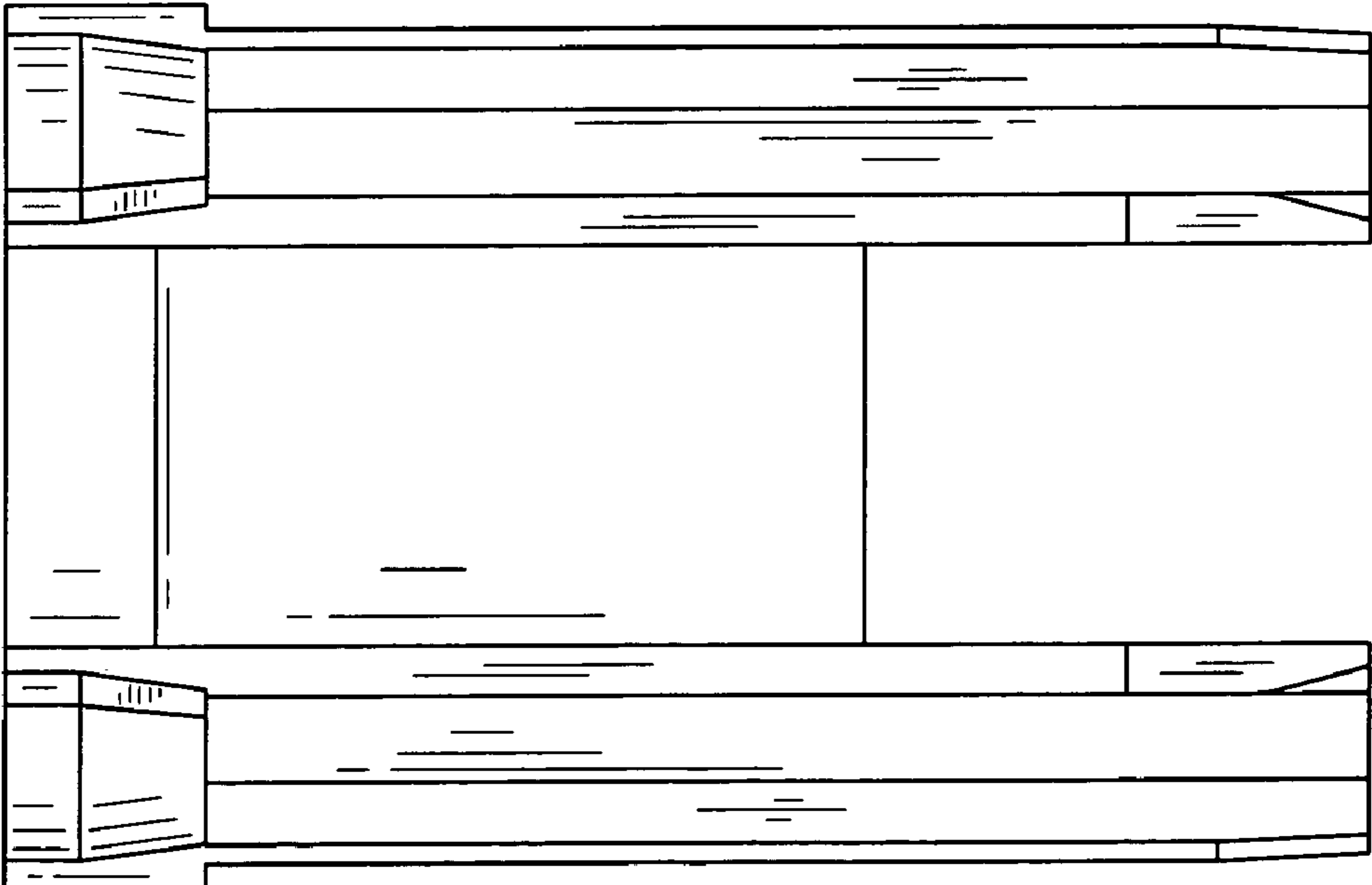


FIG. 2

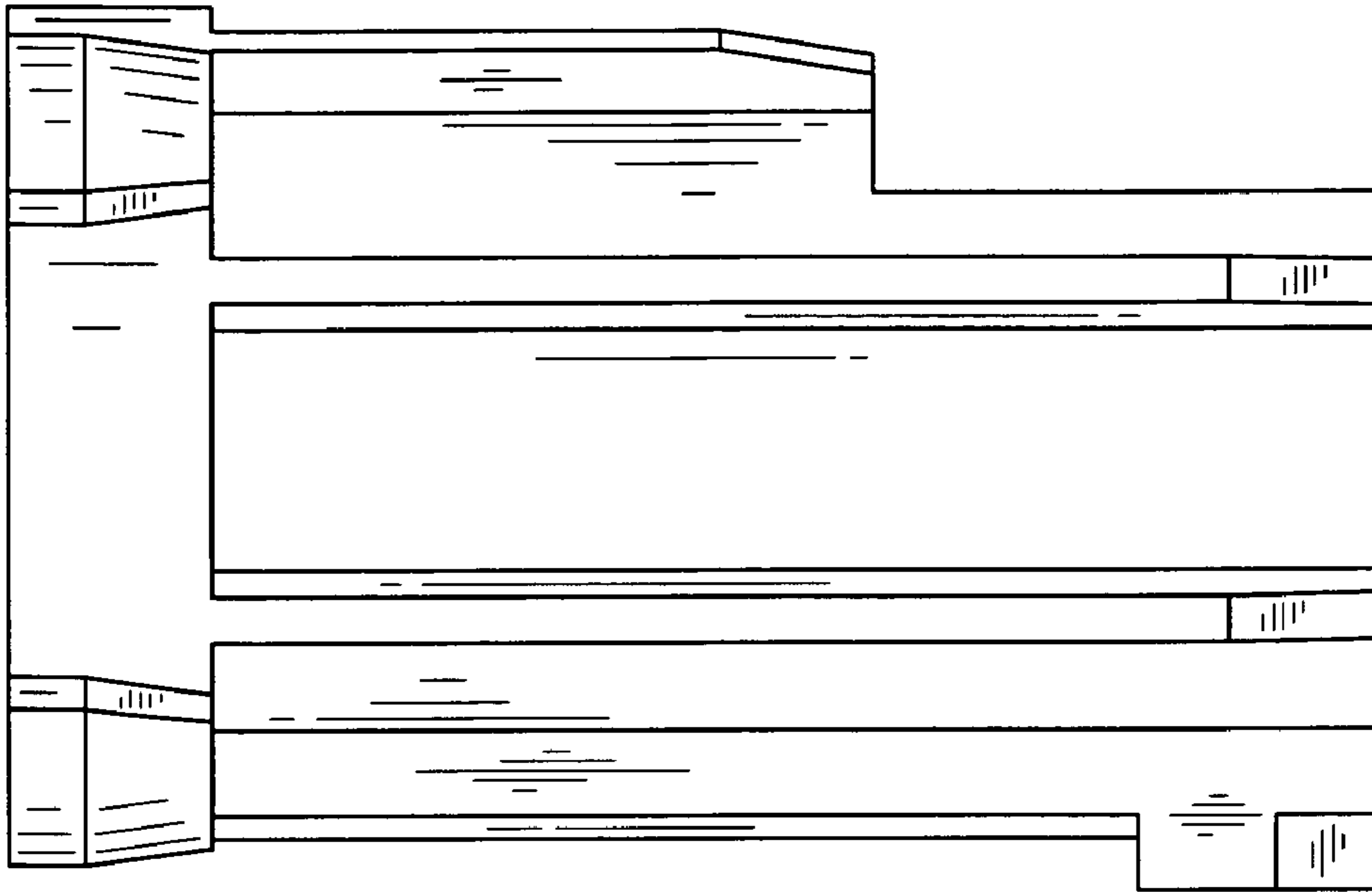


FIG. 5

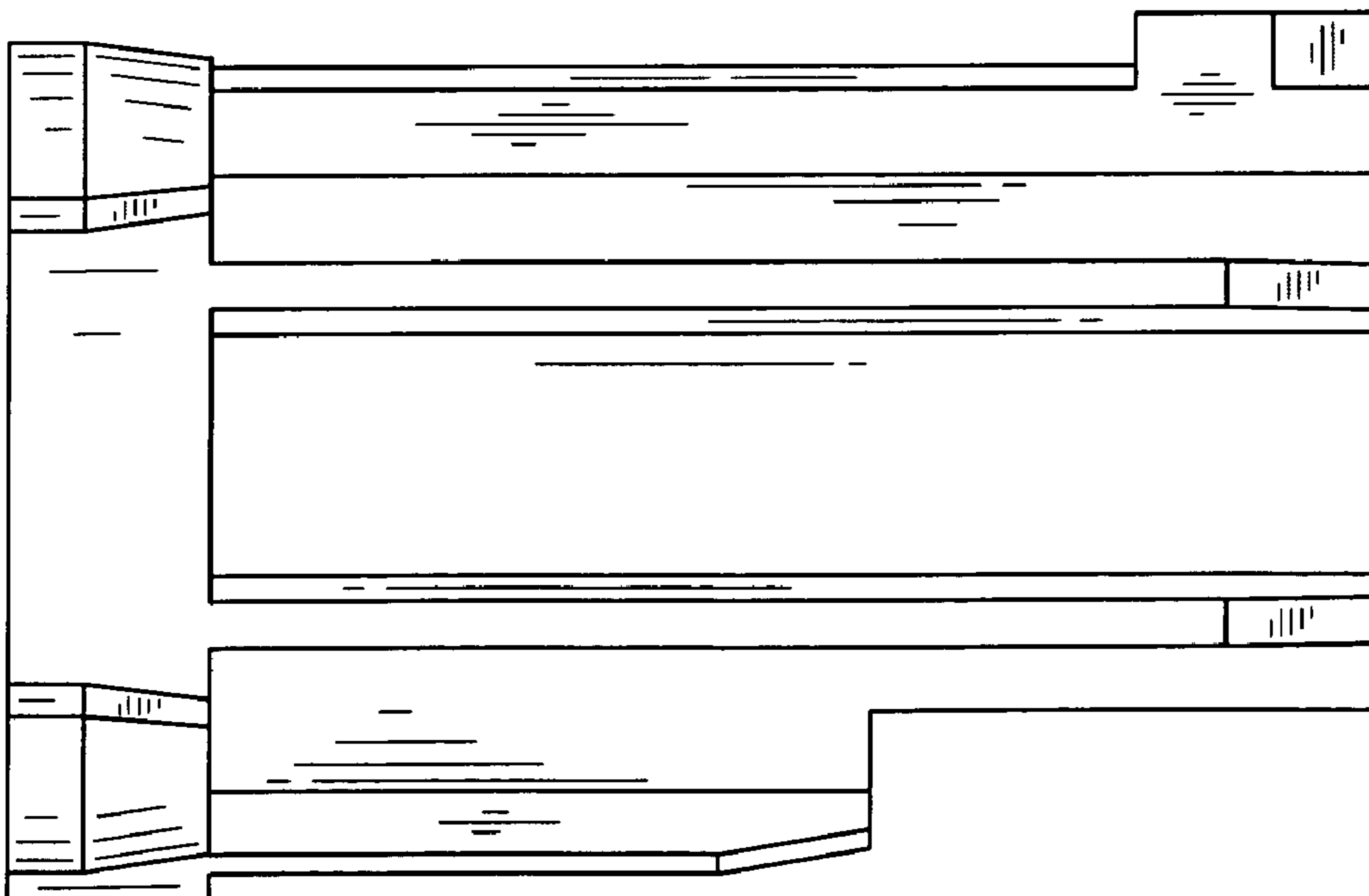


FIG. 4

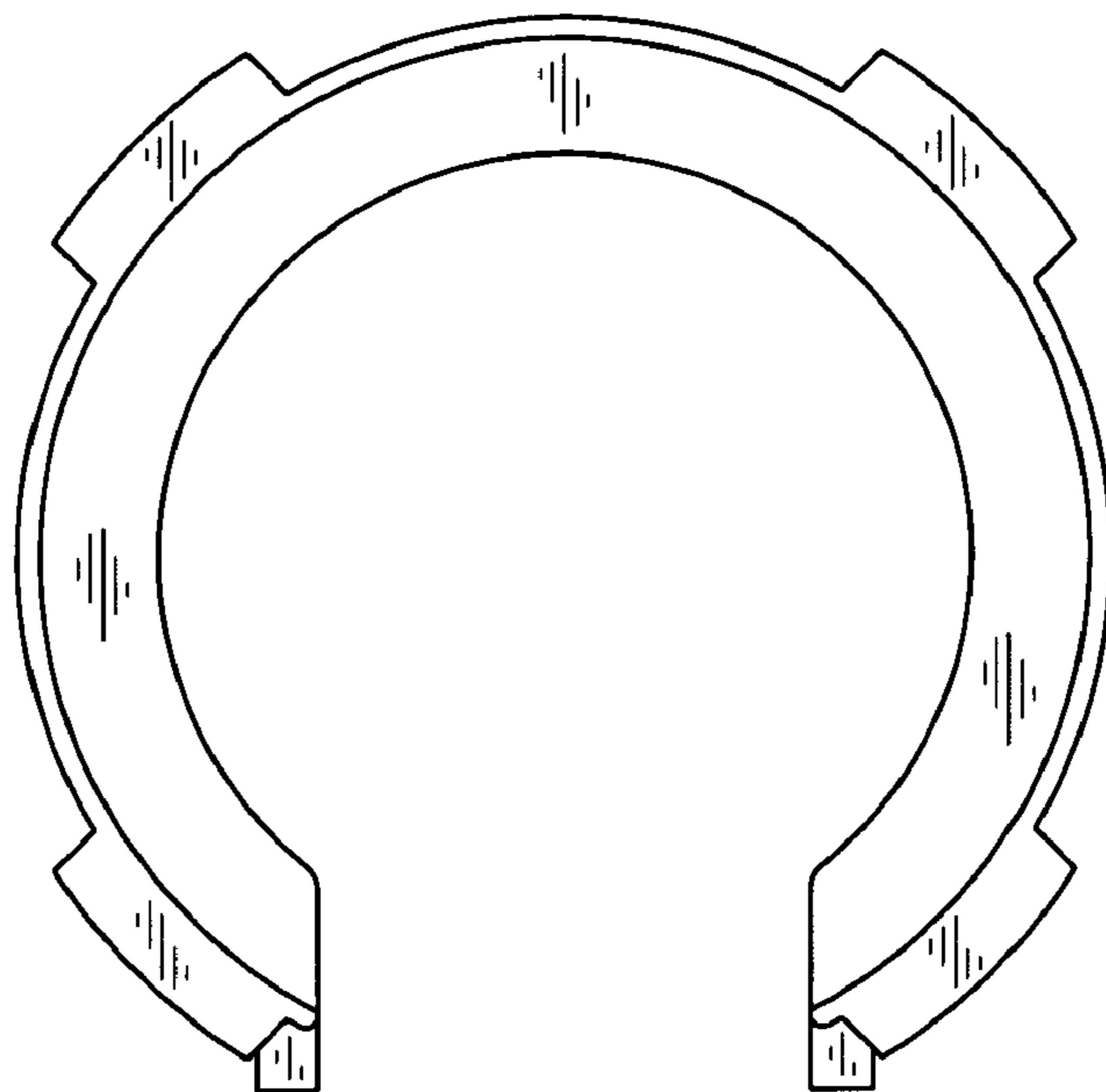


FIG. 6

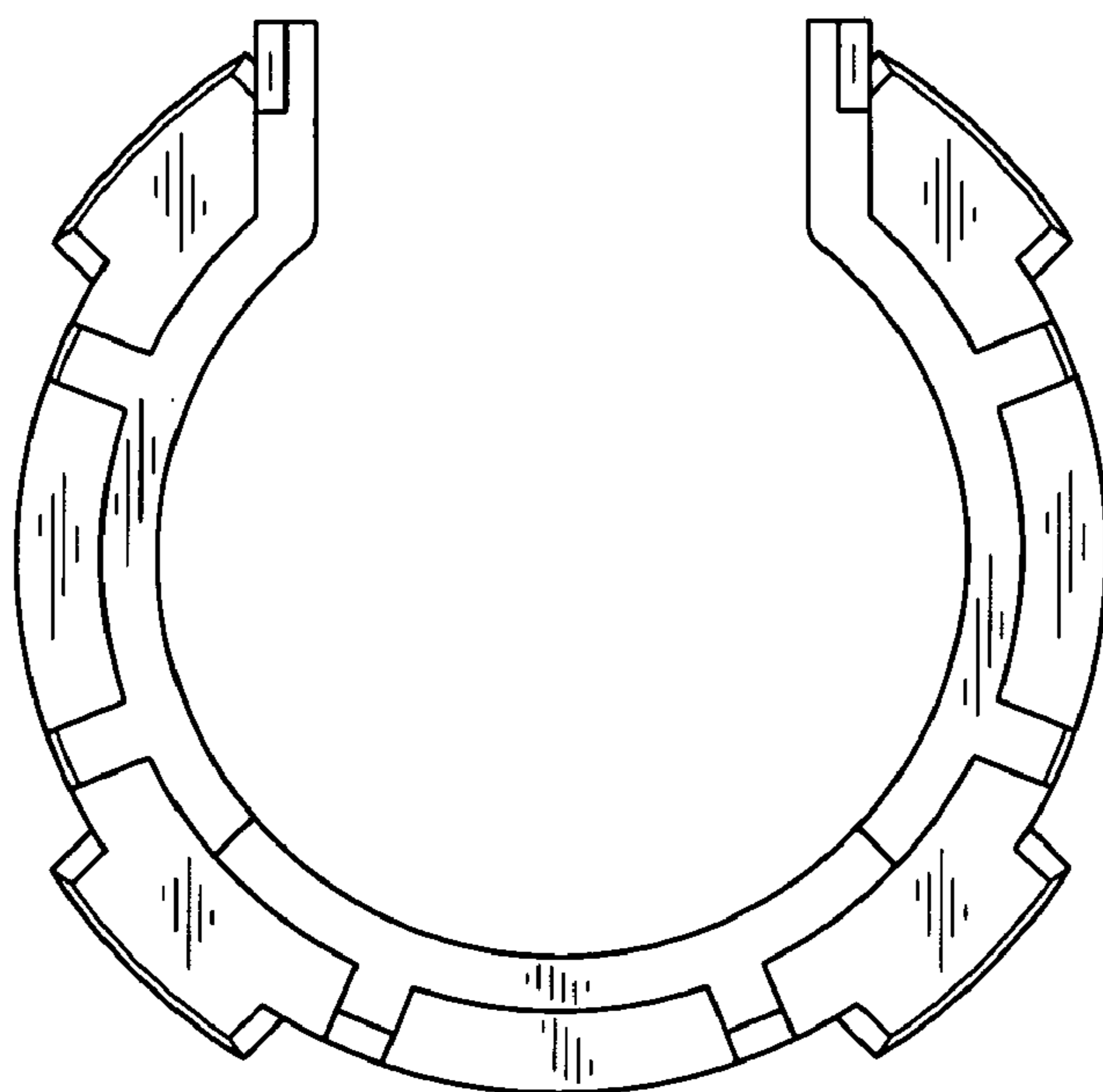


FIG. 7

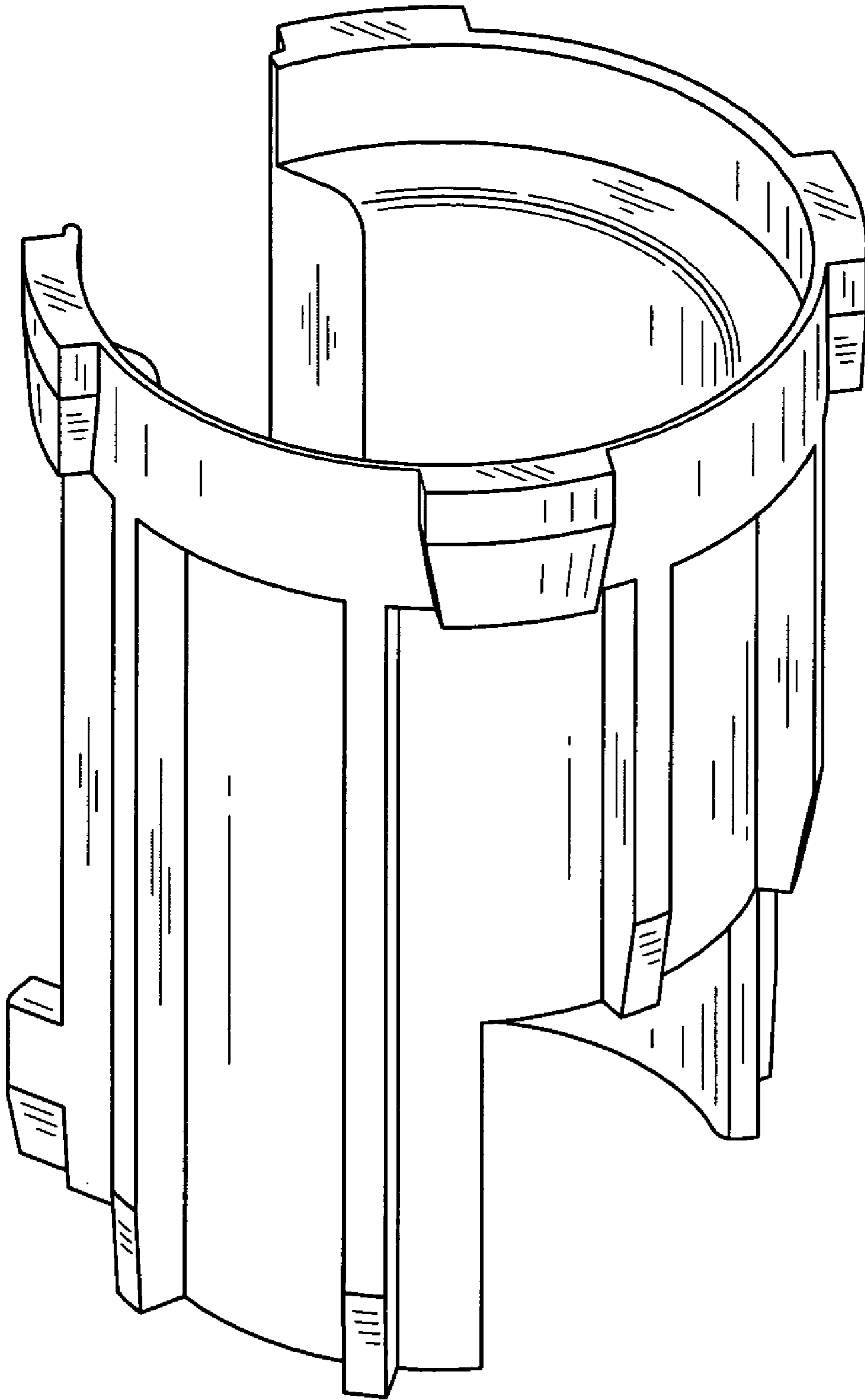


FIG. 8