



US00D595857S

(12) **United States Design Patent**
Massad

(10) **Patent No.:** **US D595,857 S**
(45) **Date of Patent:** **** Jul. 7, 2009**

(54) **PREFORMED DENTAL IMPRESSION MATERIAL**

(75) Inventor: **Joseph J. Massad**, Tulsa, OK (US)

(73) Assignee: **Global Dental Impression Trays, Inc.**,
Tulsa, OK (US)

(**) Term: **14 Years**

(21) Appl. No.: **29/320,934**

(22) Filed: **Jul. 8, 2008**

(51) **LOC (9) Cl.** **24-01**

(52) **U.S. Cl.** **D24/181; D29/109**

(58) **Field of Classification Search** D24/155,
D24/156, 107, 176, 180, 181, 182; 433/173,
433/176, 49, 70, 168.1; D8/387, 388, 393;
D29/108, 100; 128/859, 861, 862

See application file for complete search history.

(56) **References Cited**

U.S. PATENT DOCUMENTS

3,223,085	A *	12/1965	Gores et al.	128/861
3,234,942	A *	2/1966	Simor	604/20
3,312,218	A *	4/1967	Jacobs	128/862
3,333,582	A *	8/1967	Cathcart	128/862
D210,278	S *	2/1968	White	D24/181
D382,965	S *	8/1997	Wagner	D29/108
D387,166	S *	12/1997	Montgomery	D24/181
D444,559	S *	7/2001	Huffman	D24/181

D452,320	S *	12/2001	Huffman	D24/176
D464,432	S *	10/2002	Huffman	D24/176
D504,744	S *	5/2005	Hidalgo et al.	D29/108
D541,481	S *	4/2007	Farrell	D29/108
D554,259	S *	10/2007	Diacopoulos et al.	D29/108
D554,260	S *	10/2007	Diacopoulos et al.	D24/181

* cited by examiner

Primary Examiner—Charles A Rademaker

(74) *Attorney, Agent, or Firm*—Head, Johnson & Kachigian

(57) **CLAIM**

The ornamental design for a preformed dental impression material, as shown and described.

DESCRIPTION

FIG. 1 is a perspective view of a preformed dental impression material showing my new design;

FIG. 2 is another perspective view thereof that includes broken lines illustrating environment that forms no part of the claimed design;

FIG. 3 is a front view thereof;

FIG. 4 is a top view thereof;

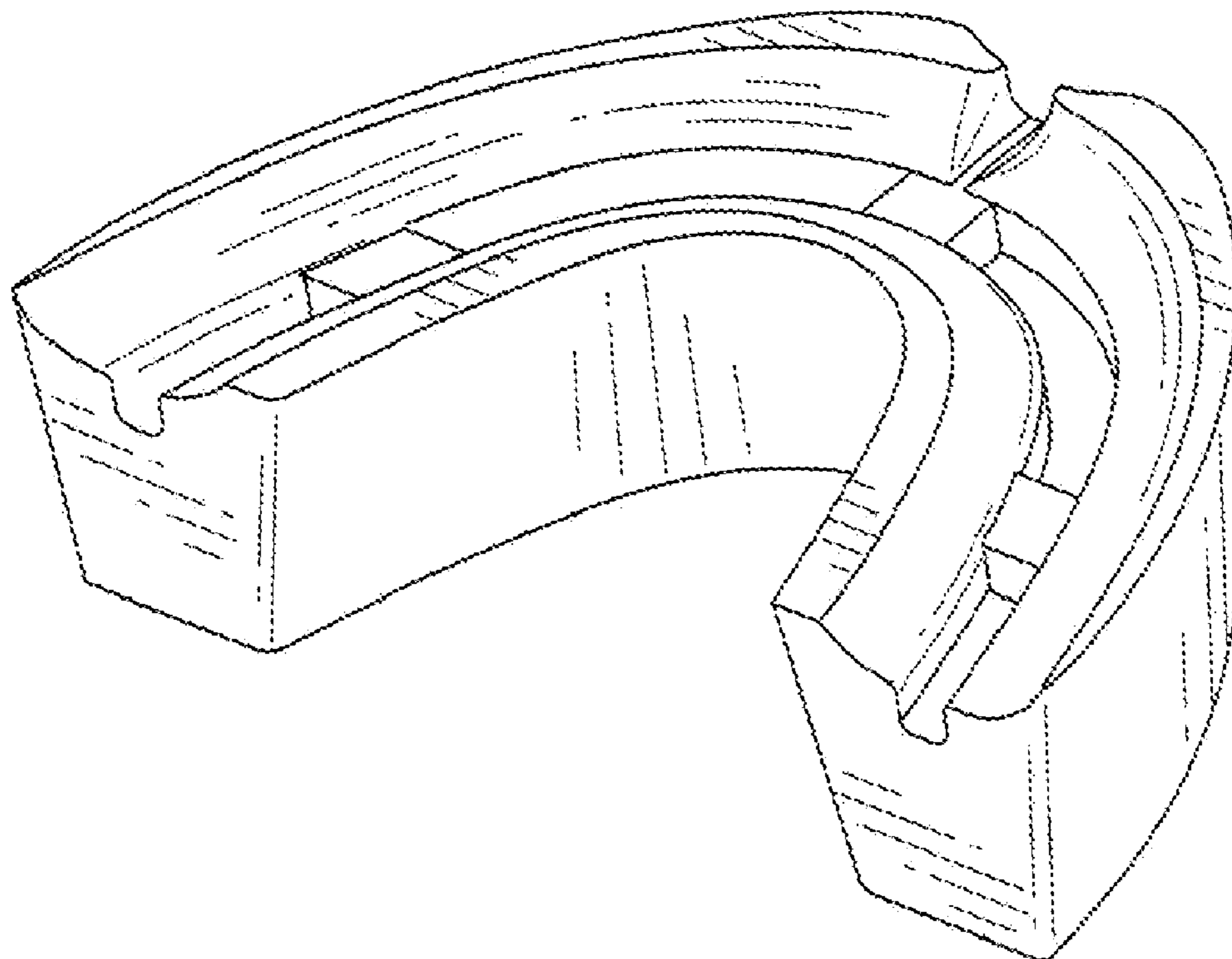
FIG. 5 is a rear view thereof;

FIG. 6 is a bottom view thereof;

FIG. 7 is a right side view thereof; and,

FIG. 8 is a left side view thereof.

1 Claim, 3 Drawing Sheets



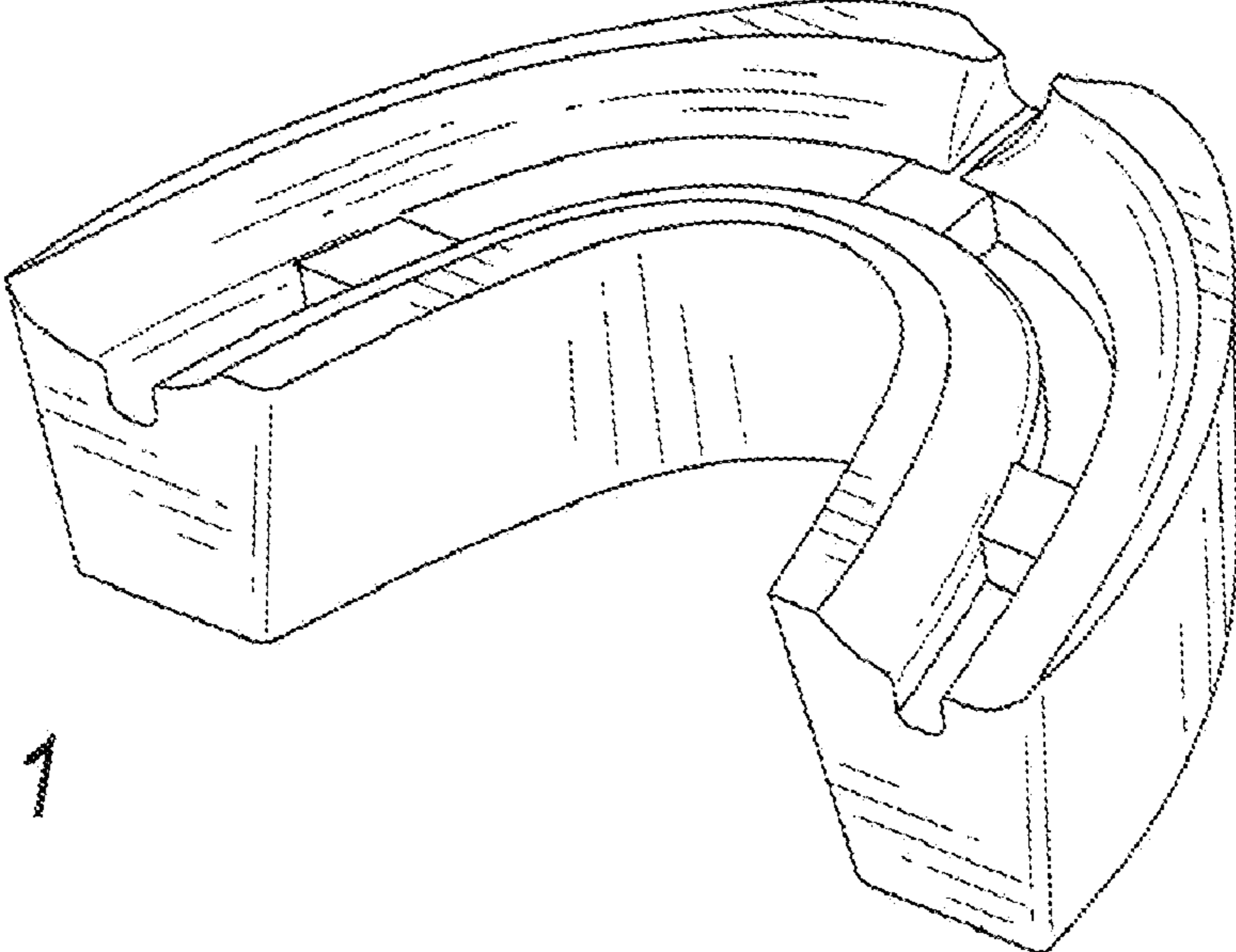


FIG. 1

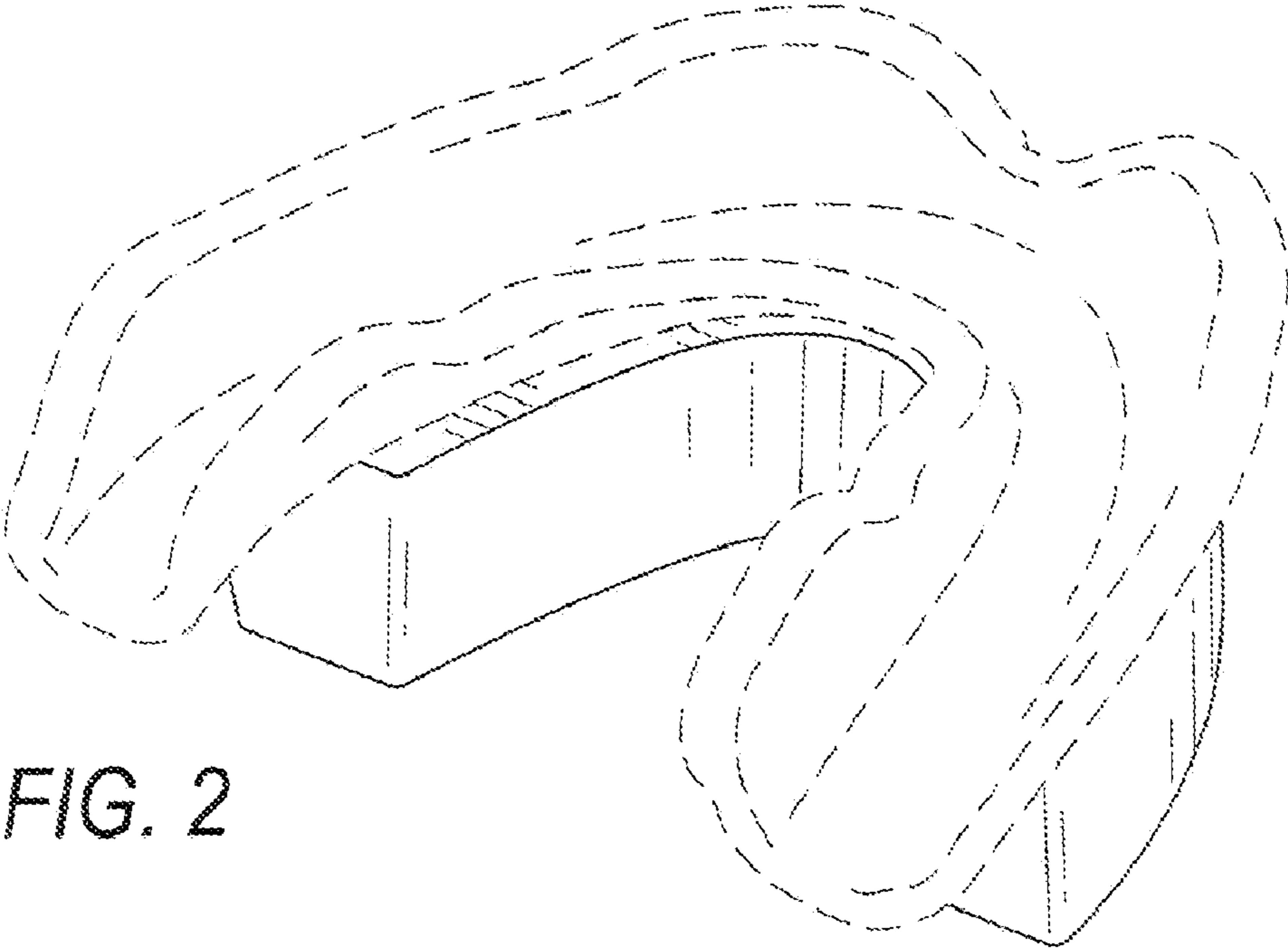


FIG. 2

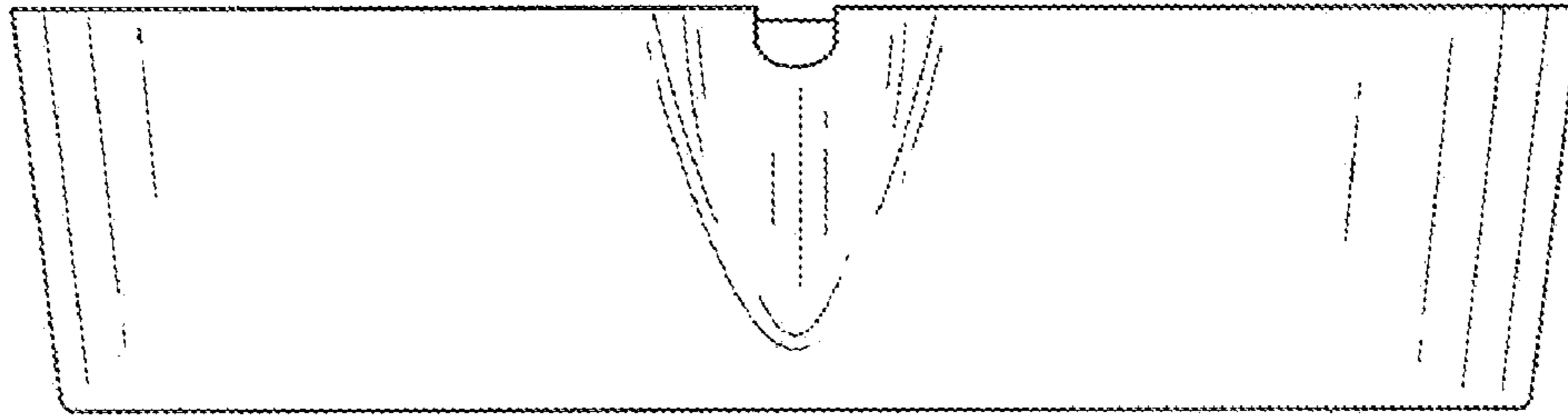


FIG. 3

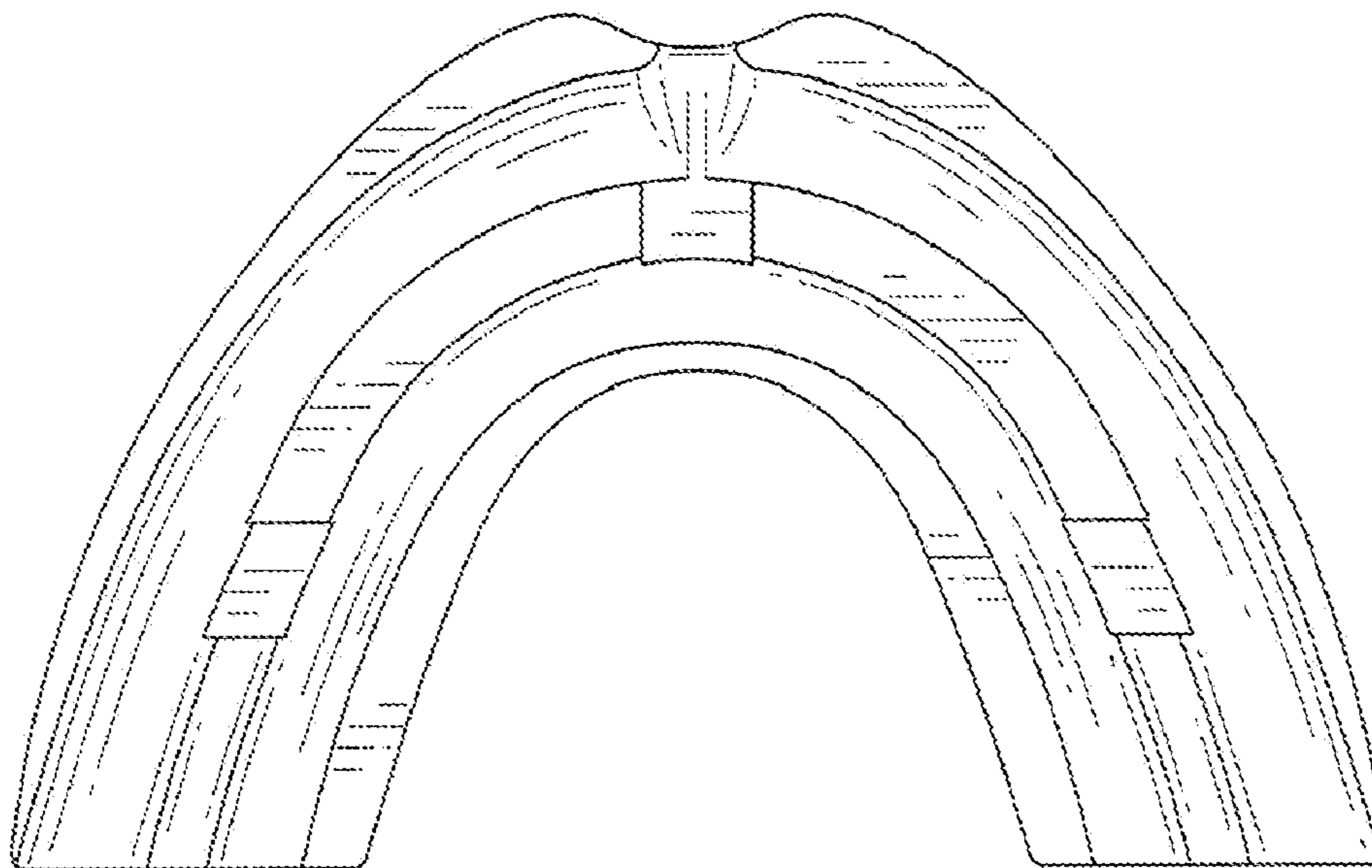


FIG. 4

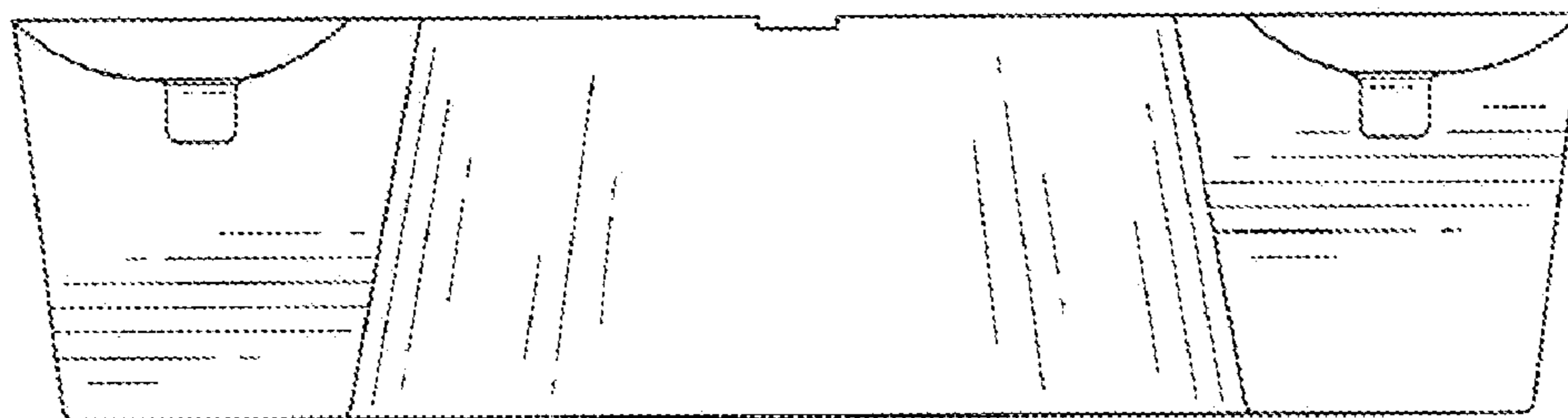


FIG. 5

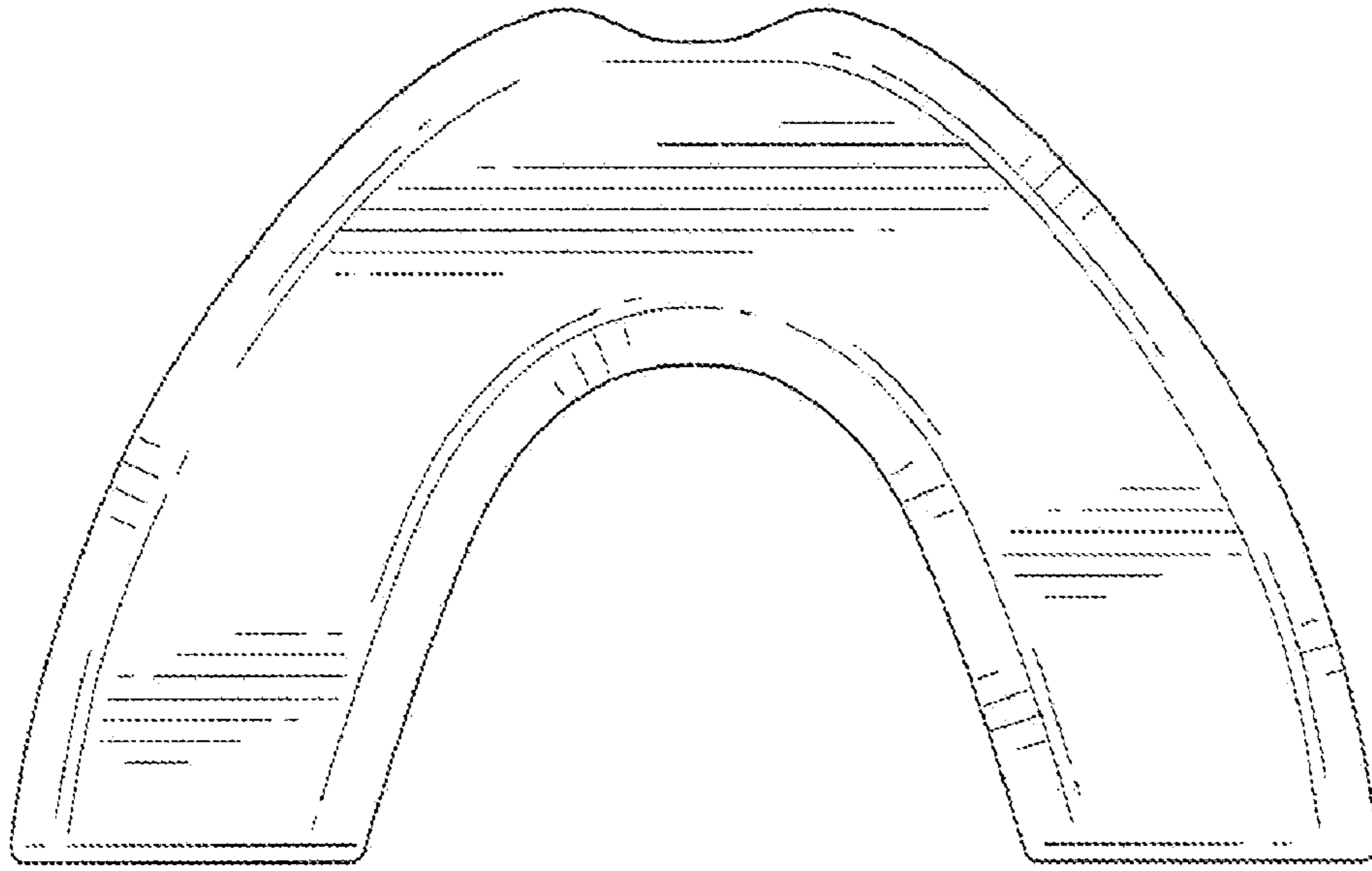


FIG. 6

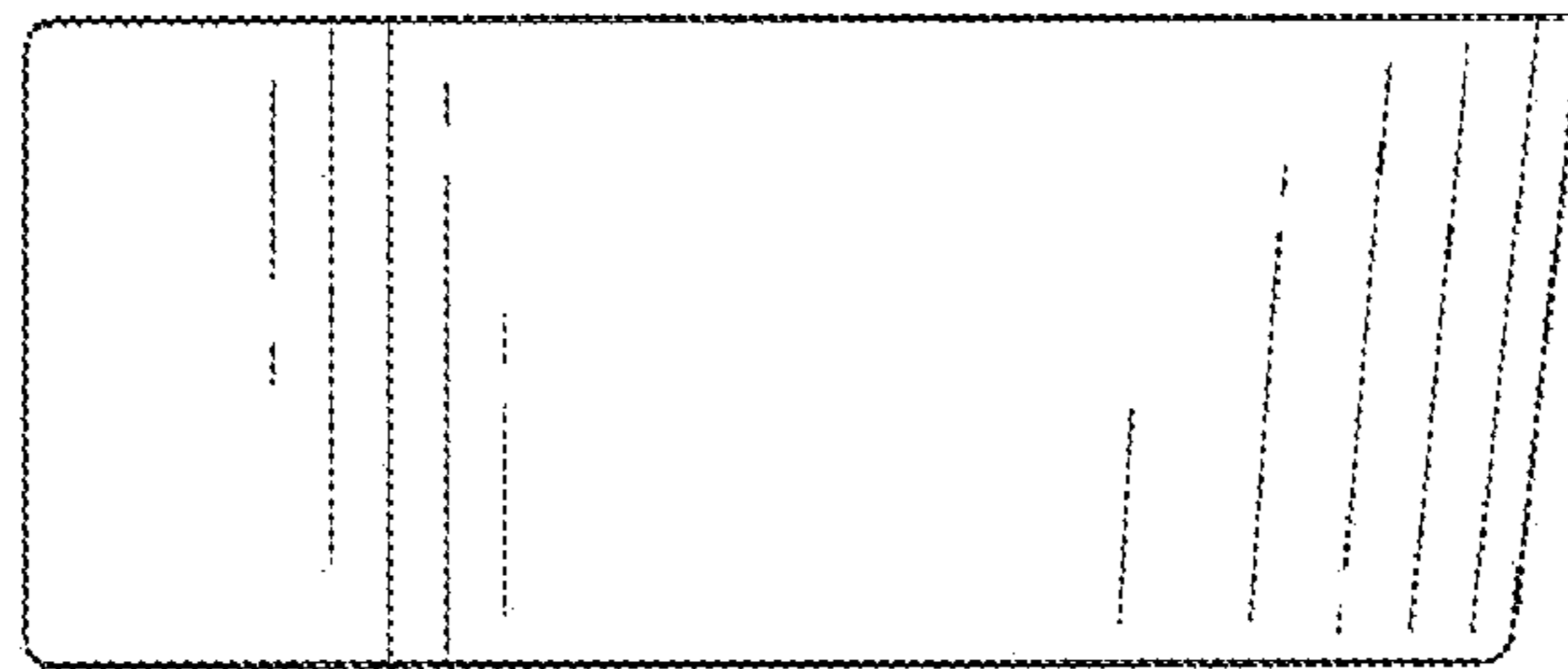


FIG. 7

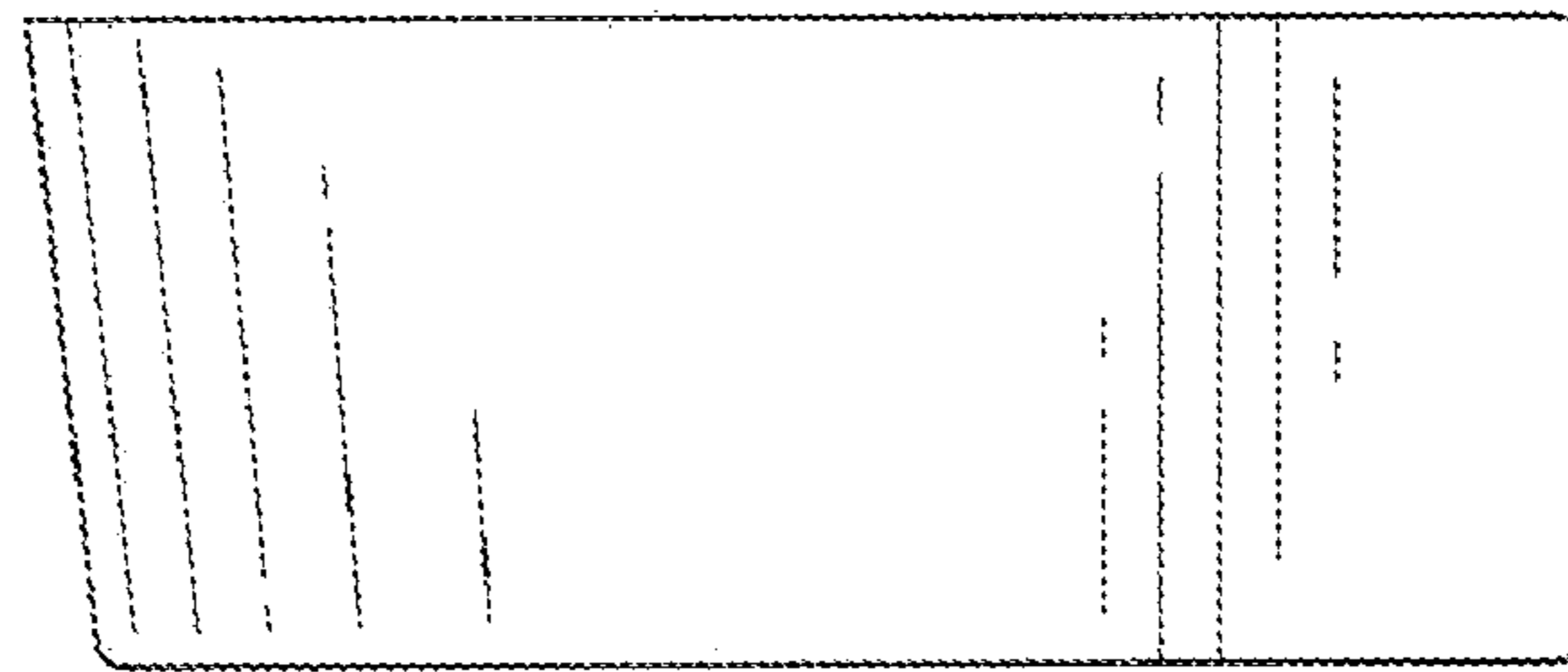


FIG. 8