



US00D595855S

(12) **United States Design Patent**
Petersen

(10) **Patent No.:** **US D595,855 S**
(45) **Date of Patent:** **** Jul. 7, 2009**

(54) **BONE PLUG**
(75) Inventor: **David A. Petersen**, Clearwater, FL (US)
(73) Assignee: **Orthopedic Development Corporation**,
Clearwater, FL (US)
(**) Term: **14 Years**
(21) Appl. No.: **29/328,471**
(22) Filed: **Nov. 25, 2008**

6,752,833 B2 6/2004 Hesselting et al.
6,818,010 B2 11/2004 Eichhorn et al.
6,824,564 B2 * 11/2004 Crozet 623/17.11
6,855,168 B2 * 2/2005 Crozet 623/17.11
6,890,343 B2 * 5/2005 Ginn et al. 606/213
7,056,341 B2 * 6/2006 Crozet 623/17.11
D524,941 S * 7/2006 Dixon et al. D24/155
7,226,469 B2 6/2007 Benavitz et al.
7,285,121 B2 10/2007 Braun et al.
7,361,192 B2 * 4/2008 Doty 623/17.12
D574,957 S * 8/2008 Petersen D24/155
2004/0267365 A1 12/2004 Fornari
2008/0215087 A1 * 9/2008 Pavcnik et al. 606/213

(51) **LOC (9) Cl.** **24-02**
(52) **U.S. Cl.** **D24/155**
(58) **Field of Classification Search** D24/155,
D24/156, 157; D15/143, 139; D1/127, 130;
606/60, 61, 73, 95, 213; 623/17.11, 17.12,
623/17.13, 17.14, 17.15, 17.16
See application file for complete search history.

OTHER PUBLICATIONS

“Subtalar MBA® Implant”—http://www.ilstraining.com/Mid%20%20Hindfoot%20Solutions/mba/mba_02.html.

* cited by examiner

Primary Examiner—Charles A Rademaker
(74) *Attorney, Agent, or Firm*—Don J. Pelto, Esquire;
Sheppard Mullin Richter & Hampton, LLP

(56) **References Cited**

U.S. PATENT DOCUMENTS

4,697,584 A 10/1987 Haynes
4,878,915 A 11/1989 Brantigan
D330,794 S * 11/1992 Kesdekoglu D1/127
5,423,817 A * 6/1995 Lin 606/247
D369,857 S 5/1996 Booth et al.
D378,314 S * 3/1997 Koros et al. D24/155
5,645,598 A * 7/1997 Brosnahan, III 623/17.11
D385,352 S 10/1997 Bales et al.
5,827,285 A 10/1998 Bramlet
D411,009 S * 6/1999 Asfora D24/155
5,928,284 A 7/1999 Mehdizadeh
6,045,554 A 4/2000 Grooms et al.
D427,684 S 7/2000 Hansson
6,270,528 B1 * 8/2001 McKay 623/17.11
6,315,795 B1 * 11/2001 Scarborough et al. 623/17.11
D461,248 S 8/2002 Bianchi et al.
6,436,141 B2 * 8/2002 Castro et al. 623/17.11
6,663,655 B2 * 12/2003 Ginn et al. 606/213

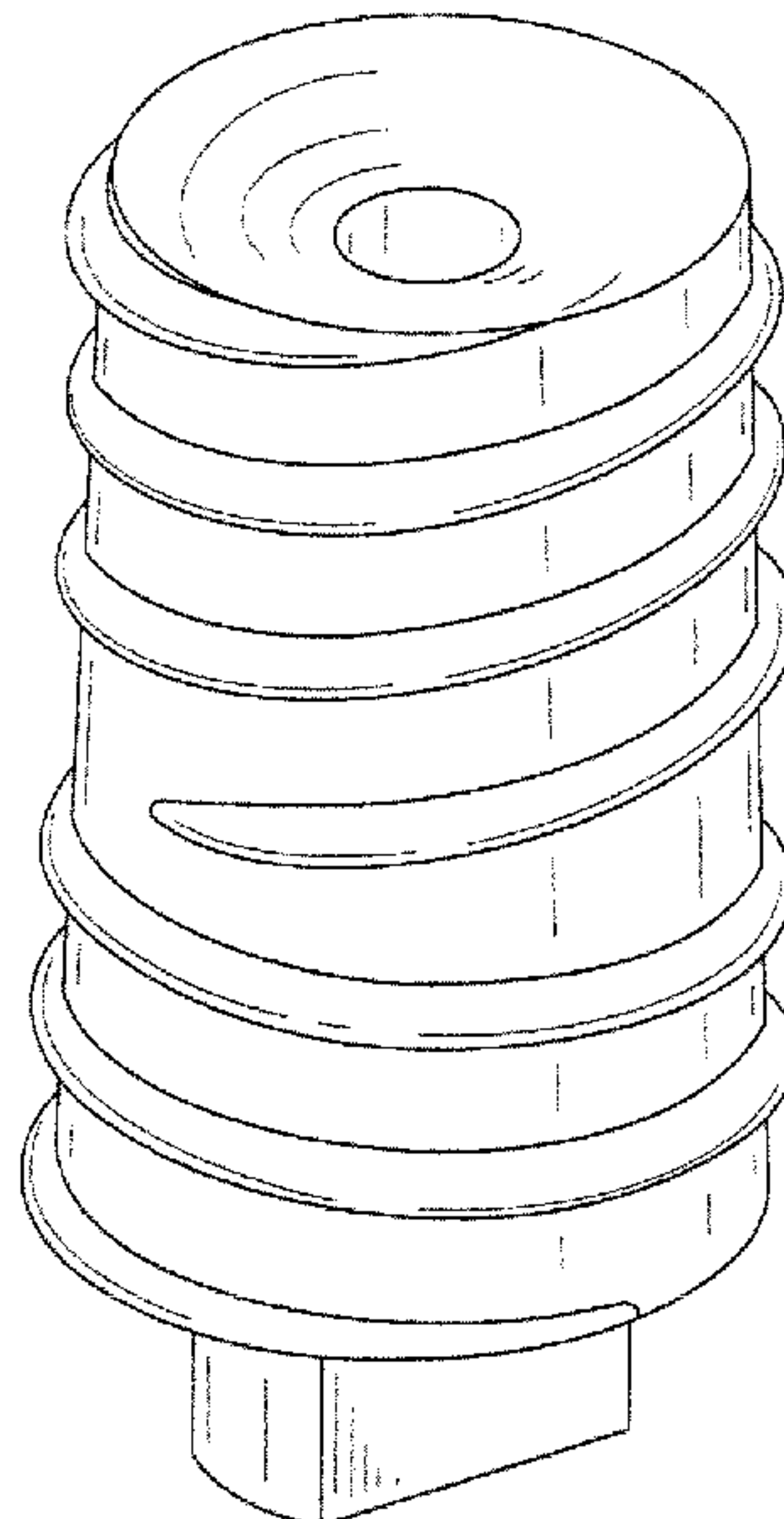
(57) **CLAIM**

I claim the ornamental design for a bone plug, as shown and described.

DESCRIPTION

FIG. 1 is a front elevation of a bone plug showing my new design;
FIG. 2 is a rear elevation thereof;
FIG. 3 is a right side elevation thereof;
FIG. 4 is a left side elevation thereof;
FIG. 5 is a top plan view thereof;
FIG. 6 is a bottom plan view thereof; and,
FIG. 7 is a top perspective view thereof.

1 Claim, 4 Drawing Sheets



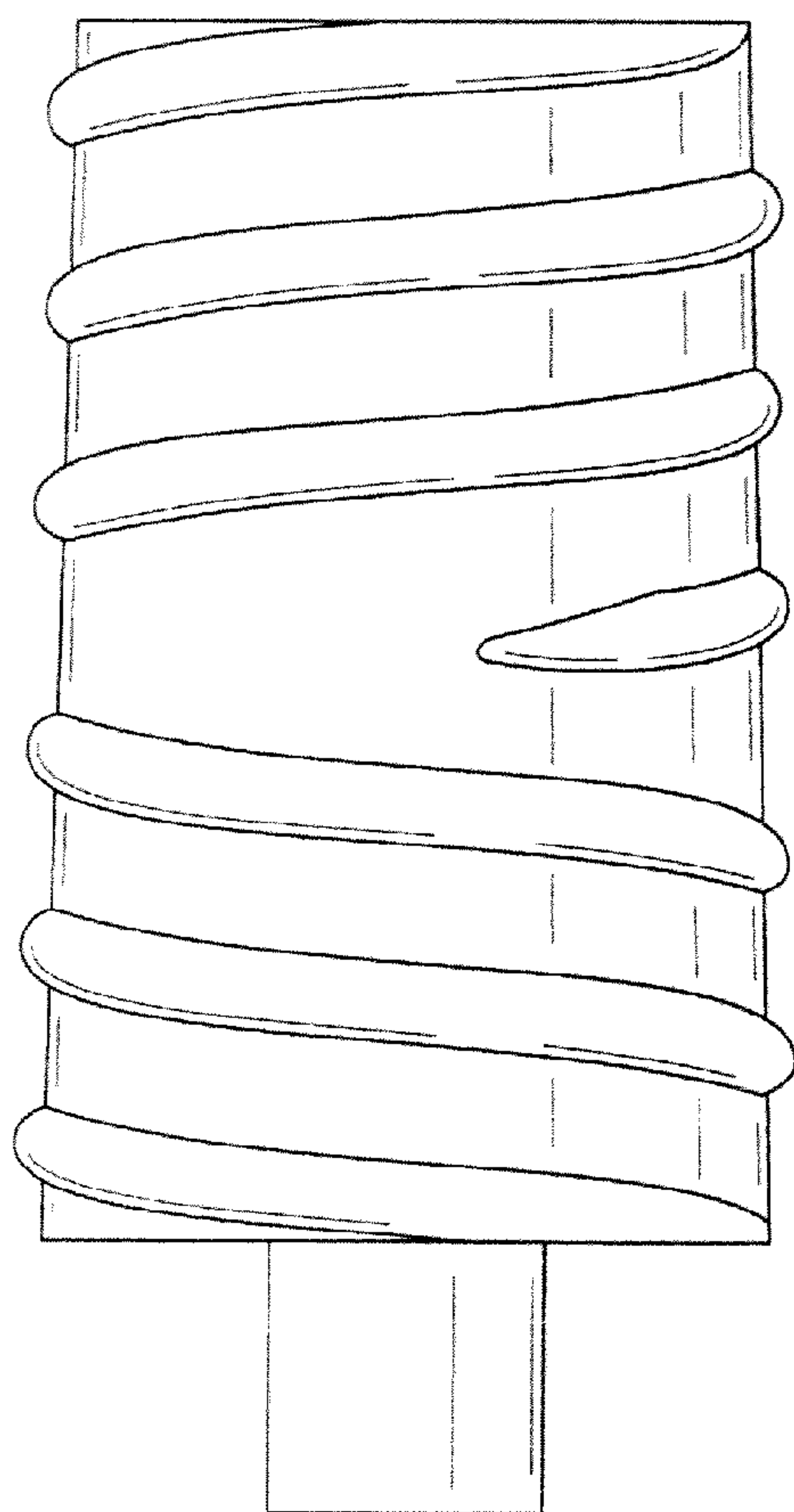


FIG. 1

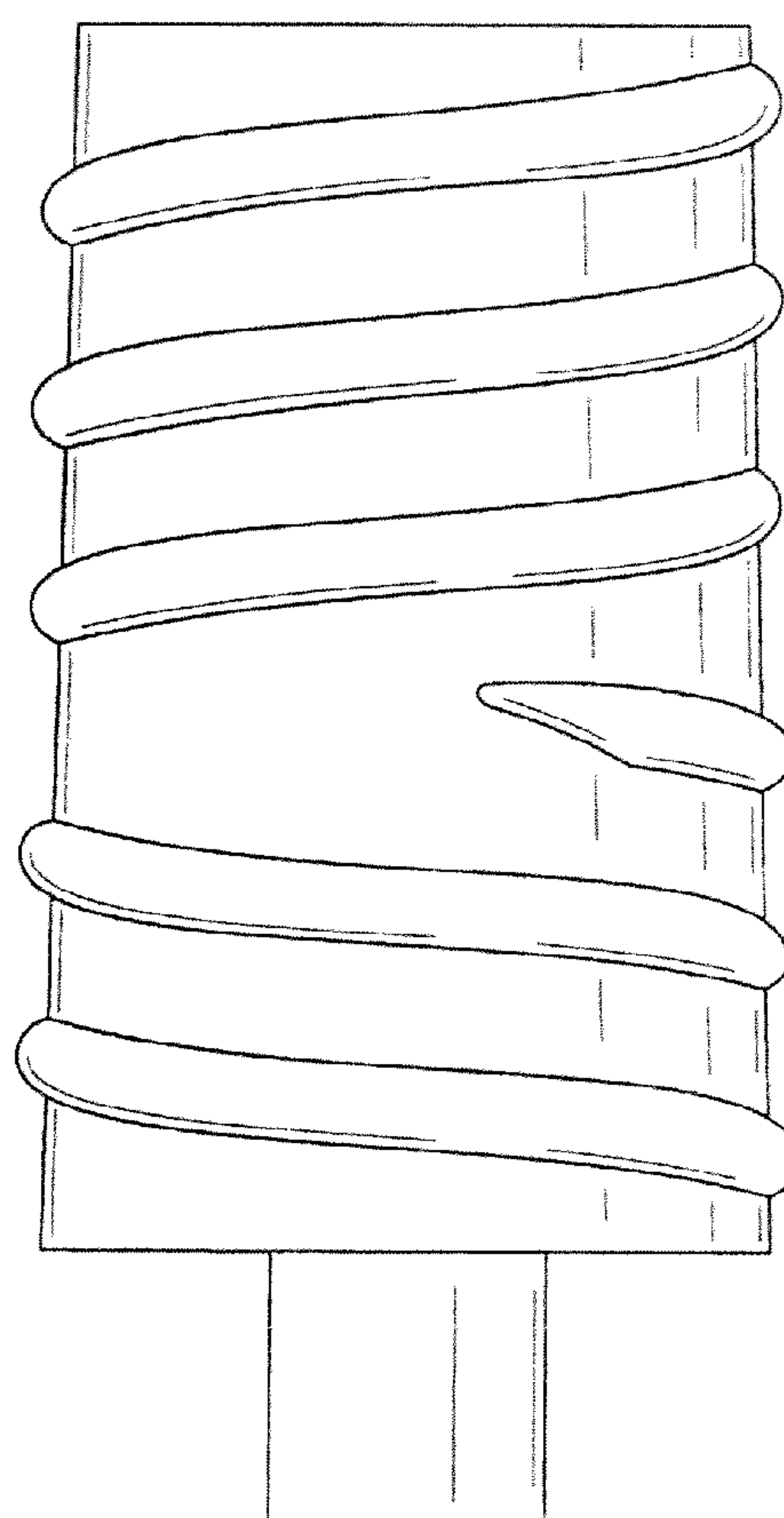


FIG. 2

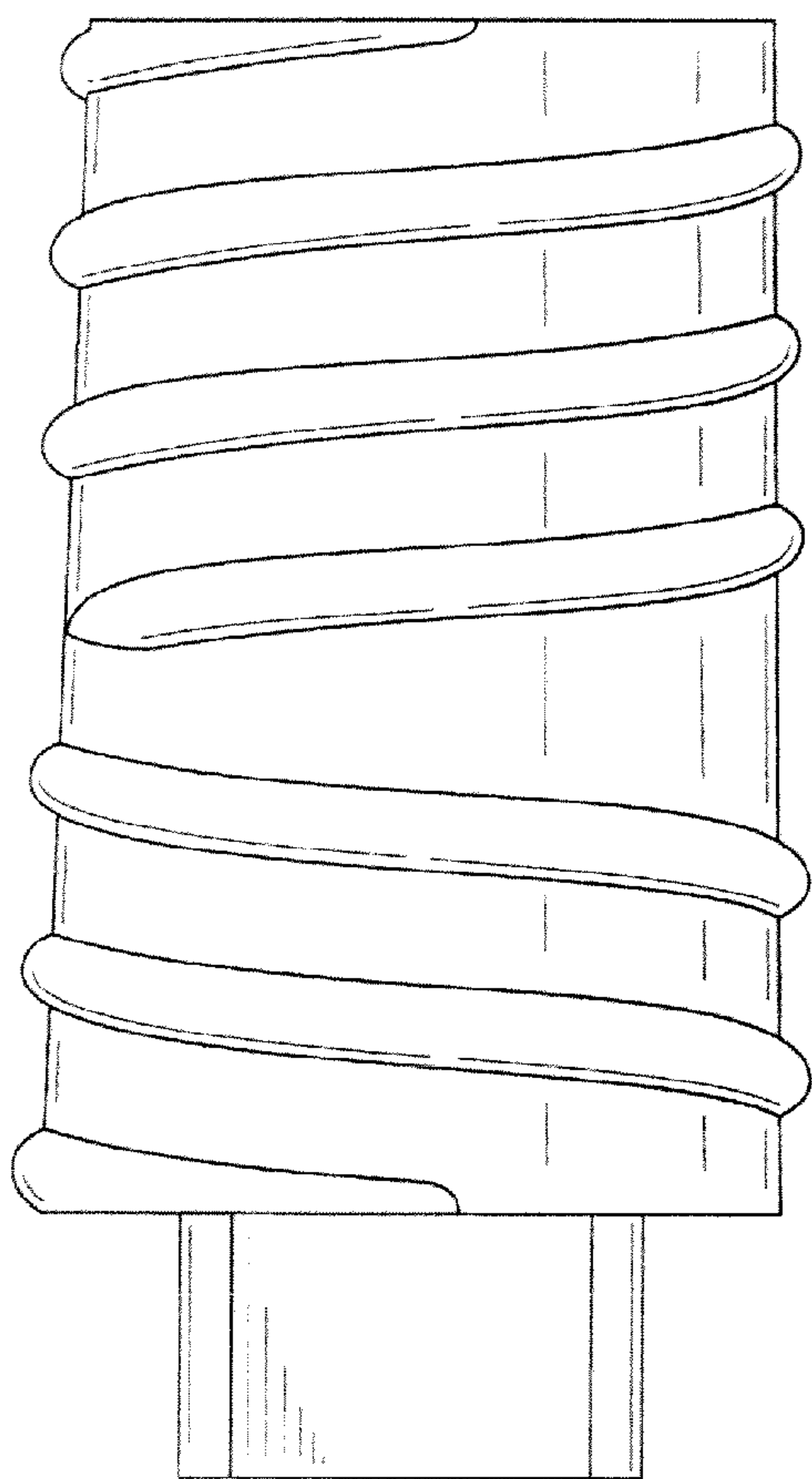


FIG. 3

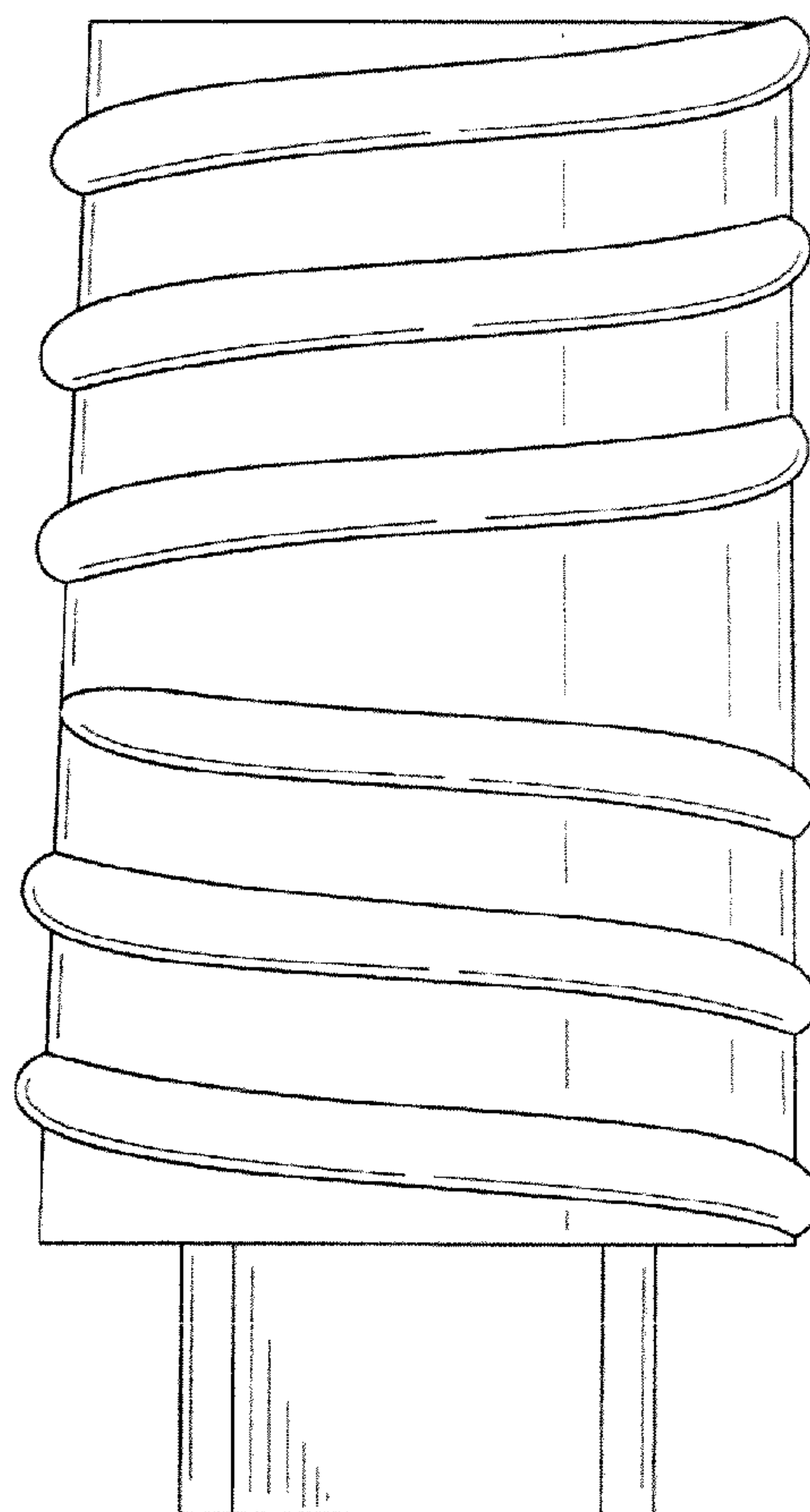


FIG. 4

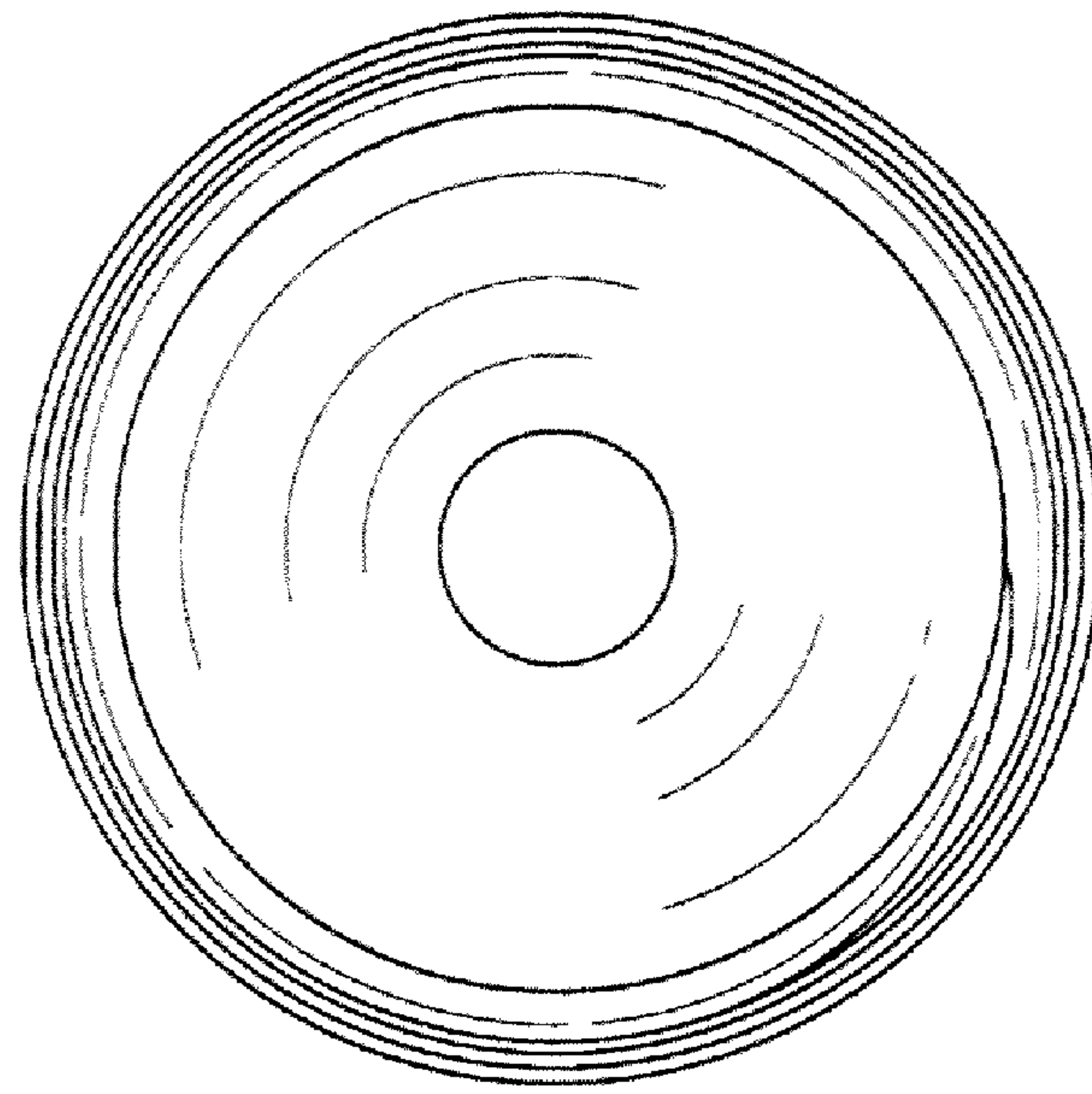


FIG. 5

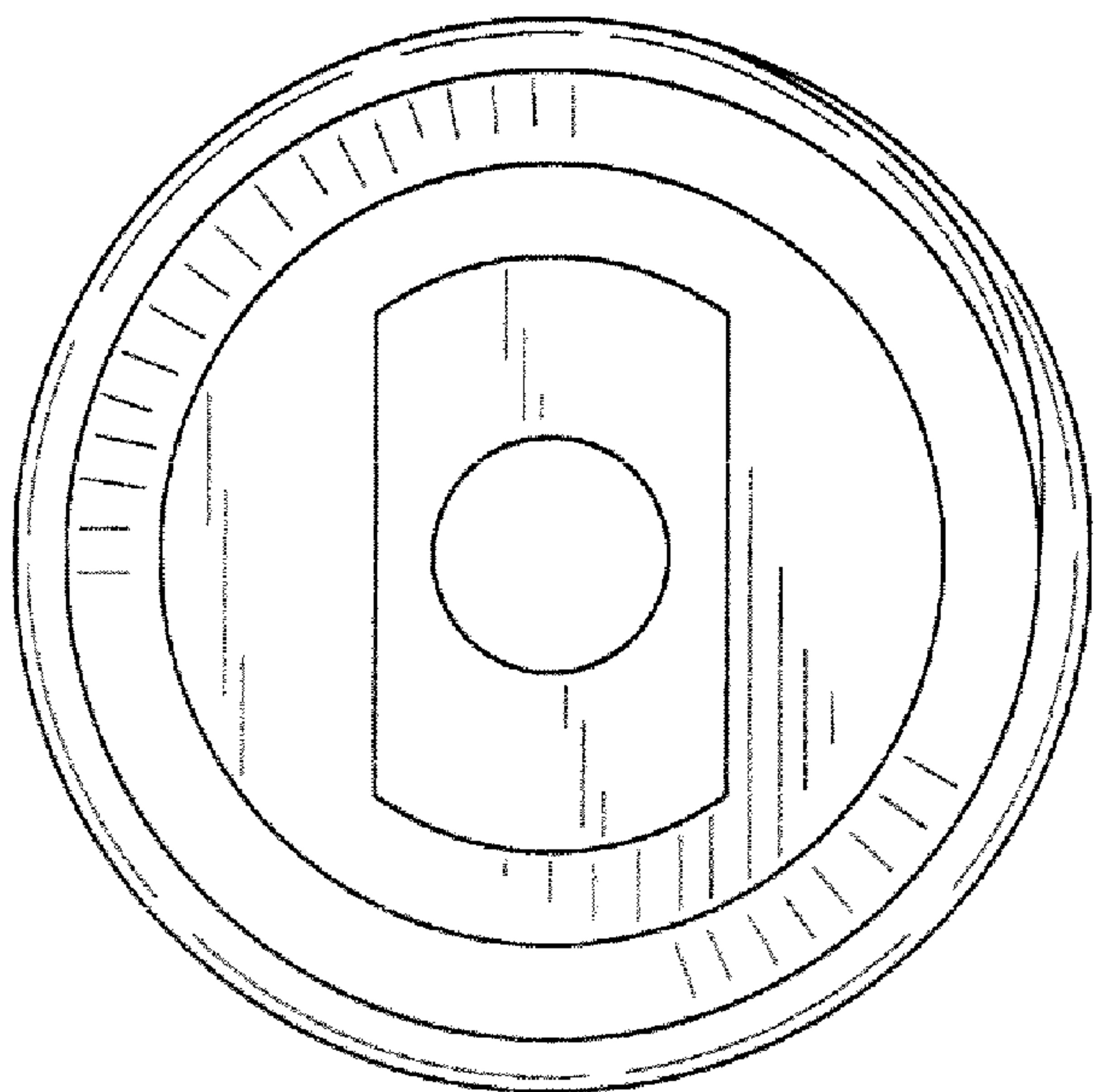


FIG. 6

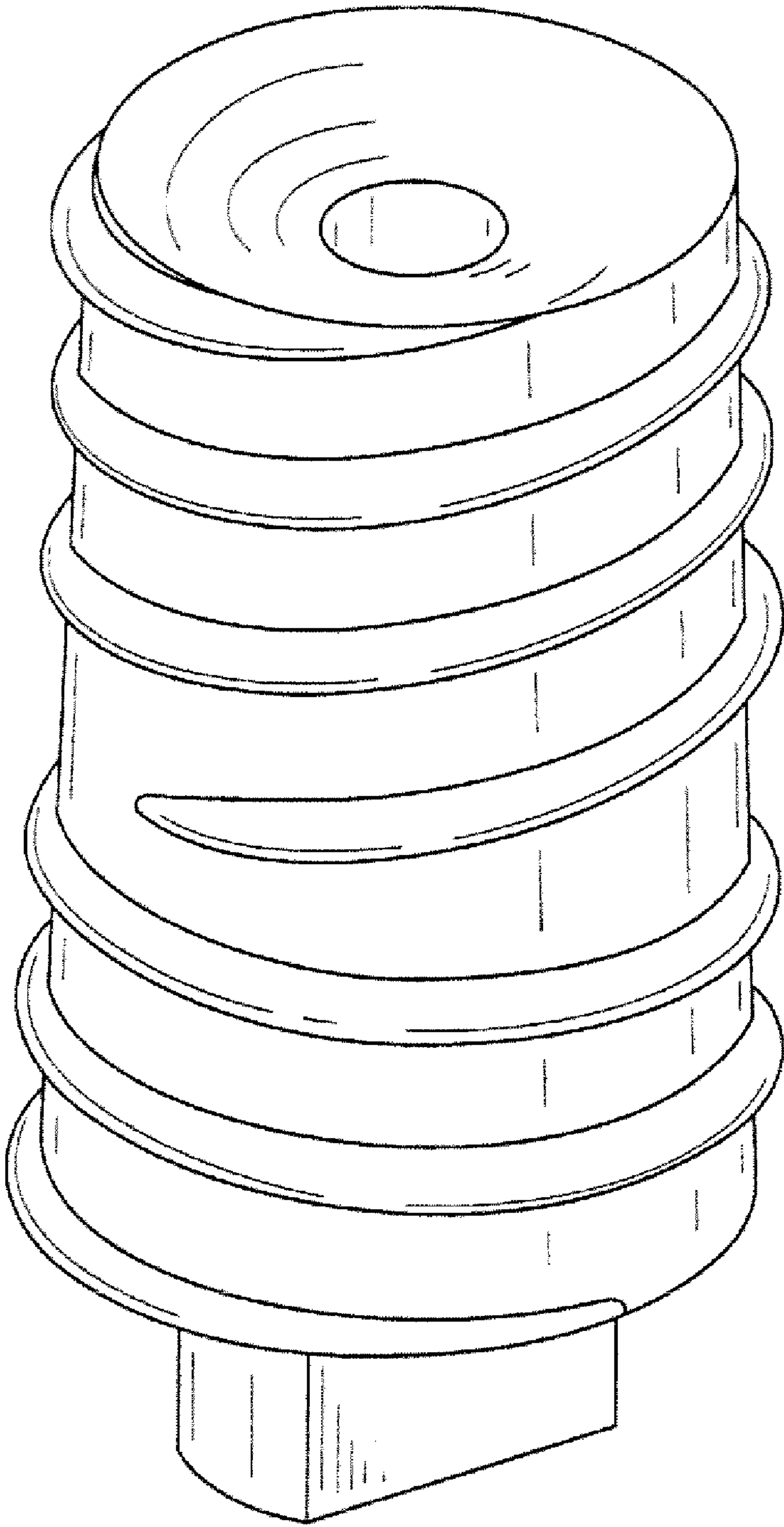


FIG. 7