



US00D595853S

(12) **United States Design Patent**
Hanson et al.

(10) **Patent No.:** **US D595,853 S**
(45) **Date of Patent:** **** Jul. 7, 2009**

(54) **SPINAL IMPLANT**

(75) Inventors: **David A. Hanson**, Urbandale, IA (US);
Christopher J. Valois, Champlin, MN
(US)

(73) Assignee: **Zimmer Spine, Inc.**, Minneapolis, MN
(US)

(**) Term: **14 Years**

(21) Appl. No.: **29/277,464**

(22) Filed: **Feb. 27, 2007**

(51) **LOC (9) Cl.** **24-03**

(52) **U.S. Cl.** **D24/155**

(58) **Field of Classification Search** D24/155,
D24/156; 606/61, 72, 74; 623/17.16, 17.17,
623/11.1; D8/387; 433/173

See application file for complete search history.

(56) **References Cited**

U.S. PATENT DOCUMENTS

5,522,899	A	6/1996	Michelson	
5,683,464	A	11/1997	Wagner et al.	
5,766,252	A *	6/1998	Henry et al.	623/17.16
5,776,199	A	7/1998	Michelson	
5,888,222	A	3/1999	Coates et al.	
5,888,228	A *	3/1999	Knothe et al.	623/17.16
5,989,289	A	11/1999	Coates et al.	
6,039,762	A	3/2000	McKay	
6,270,528	B1	8/2001	McKay	
6,277,149	B1 *	8/2001	Boyle et al.	623/17.16
6,342,074	B1	1/2002	Simpson	
6,350,283	B1	2/2002	Michelson	
6,371,988	B1	4/2002	Pafford et al.	
D458,373	S *	6/2002	Jackson	D24/155
6,423,095	B1	7/2002	Van Hoeck et al.	

6,432,140	B1 *	8/2002	Lin	623/17.16
6,482,233	B1	11/2002	Aebi et al.	
6,503,279	B1	1/2003	Webb et al.	
D472,633	S *	4/2003	Anderson	D24/155

(Continued)

FOREIGN PATENT DOCUMENTS

WO 9909914 A1 3/1999

(Continued)

OTHER PUBLICATIONS

Zimmer Spine, Inc., Puros Accugraft ALIF Allograft Surgical Technique, Aug. 2004, pp. 1-15, USA.

(Continued)

Primary Examiner—Charles A. Rademaker

(74) *Attorney, Agent, or Firm*—Wood, Herron & Evans, LLP

(57) **CLAIM**

The ornamental design for a spinal implant, as shown and described.

DESCRIPTION

FIG. 1 is a front perspective view of a spinal implant showing our new design;

FIG. 2 is a left side elevation thereof, the side opposite being a mirror image;

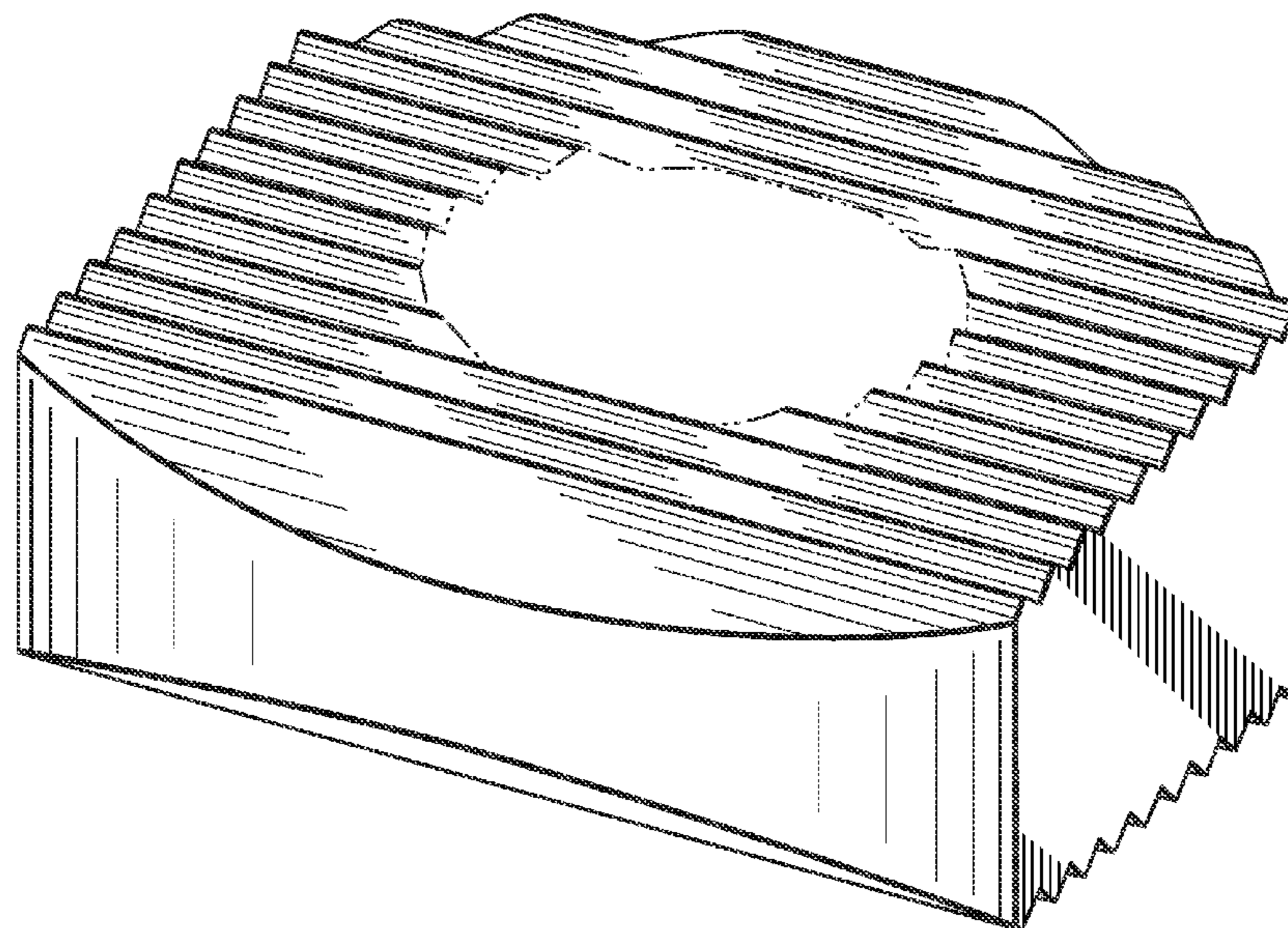
FIG. 3 is a top plan thereof, the bottom plan view being a mirror image;

FIG. 4 is a front elevation thereof; and,

FIG. 5 is a rear elevation thereof.

The broken lines shown in the drawings represent environmental structure and form no part of the claimed design.

1 Claim, 3 Drawing Sheets



US D595,853 S

Page 2

U.S. PATENT DOCUMENTS

6,638,310 B2 10/2003 Lin et al.
6,749,636 B2 6/2004 Michelson
6,964,687 B1 * 11/2005 Bernard et al. 623/17.16
7,044,972 B2 * 5/2006 Mathys et al. 623/17.16
7,048,765 B1 5/2006 Grooms et al.
D524,443 S * 7/2006 Blain D24/155
D530,423 S * 10/2006 Miles et al. D24/155
D533,277 S * 12/2006 Blain D24/155
7,169,183 B2 * 1/2007 Liu et al. 623/17.16
D541,940 S * 5/2007 Blain D24/155
7,217,293 B2 * 5/2007 Branch, Jr. 623/17.16
2002/0106393 A1 8/2002 Bianchi et al.
2003/0060886 A1 3/2003 Van Hoeck et al.
2003/0125739 A1 7/2003 Bagga et al.
2003/0191531 A1 10/2003 Berry et al.
2004/0133279 A1 7/2004 Krueger et al.
2004/0158325 A1 8/2004 Errico et al.
2004/0230306 A1 11/2004 Hoeck et al.
2004/0230308 A1 11/2004 Michelson
2005/0004672 A1 1/2005 Pafford et al.

2005/0119753 A1 6/2005 McGahan et al.
2005/0171606 A1 8/2005 Michelson
2005/0251257 A1 11/2005 Mitchell et al.
2005/0261771 A1 11/2005 Paul et al.
2006/0100705 A1 5/2006 Puno et al.
2006/0247772 A1 11/2006 McKay

FOREIGN PATENT DOCUMENTS

WO 0007528 A1 2/2000

OTHER PUBLICATIONS

Zimmer Spine, Inc., Puros Allografts Reference Guide, Product Information, Nov. 2004, 4 pages, USA.
Zimmer Spine, Inc., Puros Accugraft ALIF Allograft System, Three-In-One Solution, 2005, 4 pages, USA.
Zimmer Spine, Inc., Puros Cervical Specialty Allograft, A New Angle on Strength and Consistency, 2005, 4 pages, USA.
Zimmer Spine, Inc., Puros Symmetry PLIF Allograft System, 2005, 4 pages, USA.

* cited by examiner

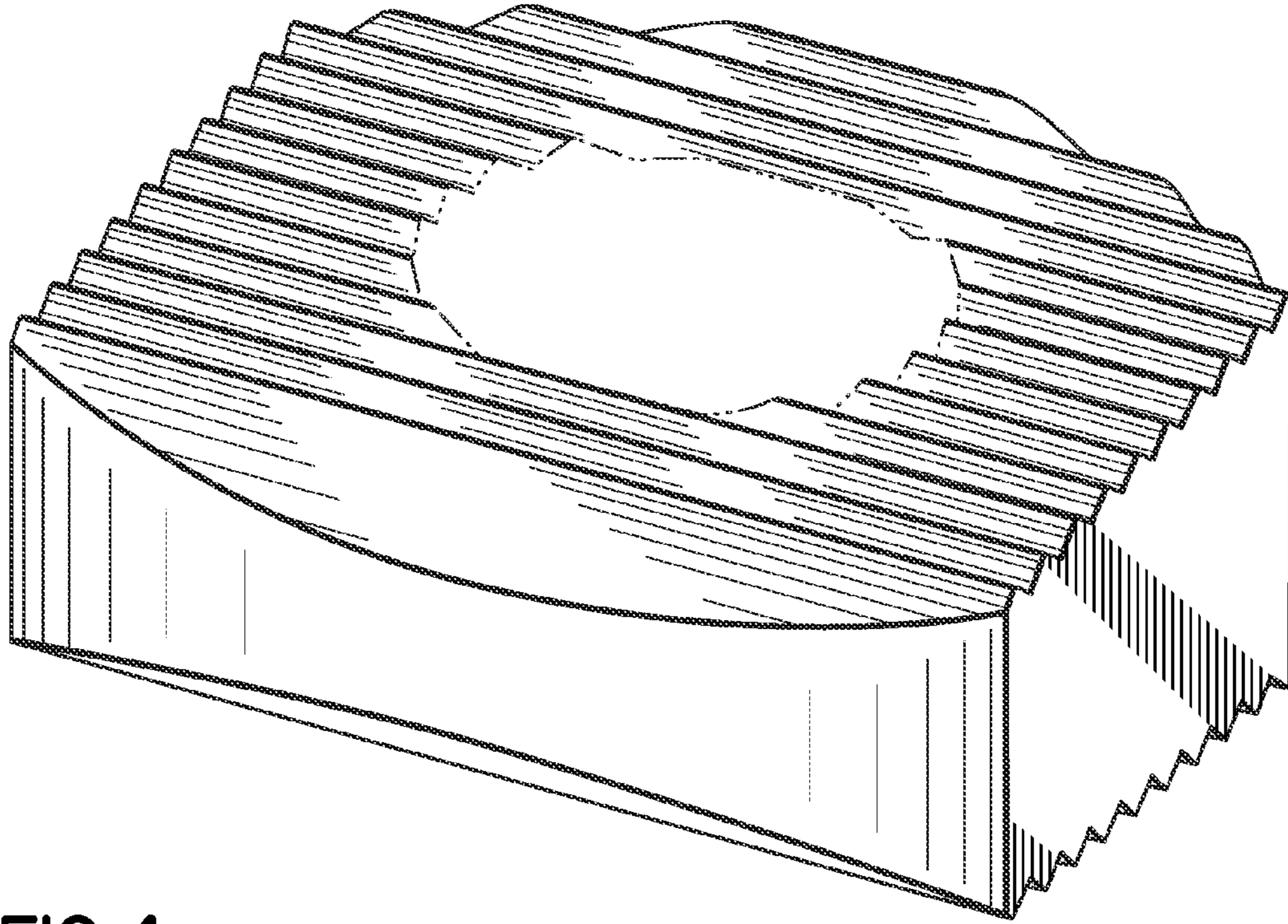


FIG. 1

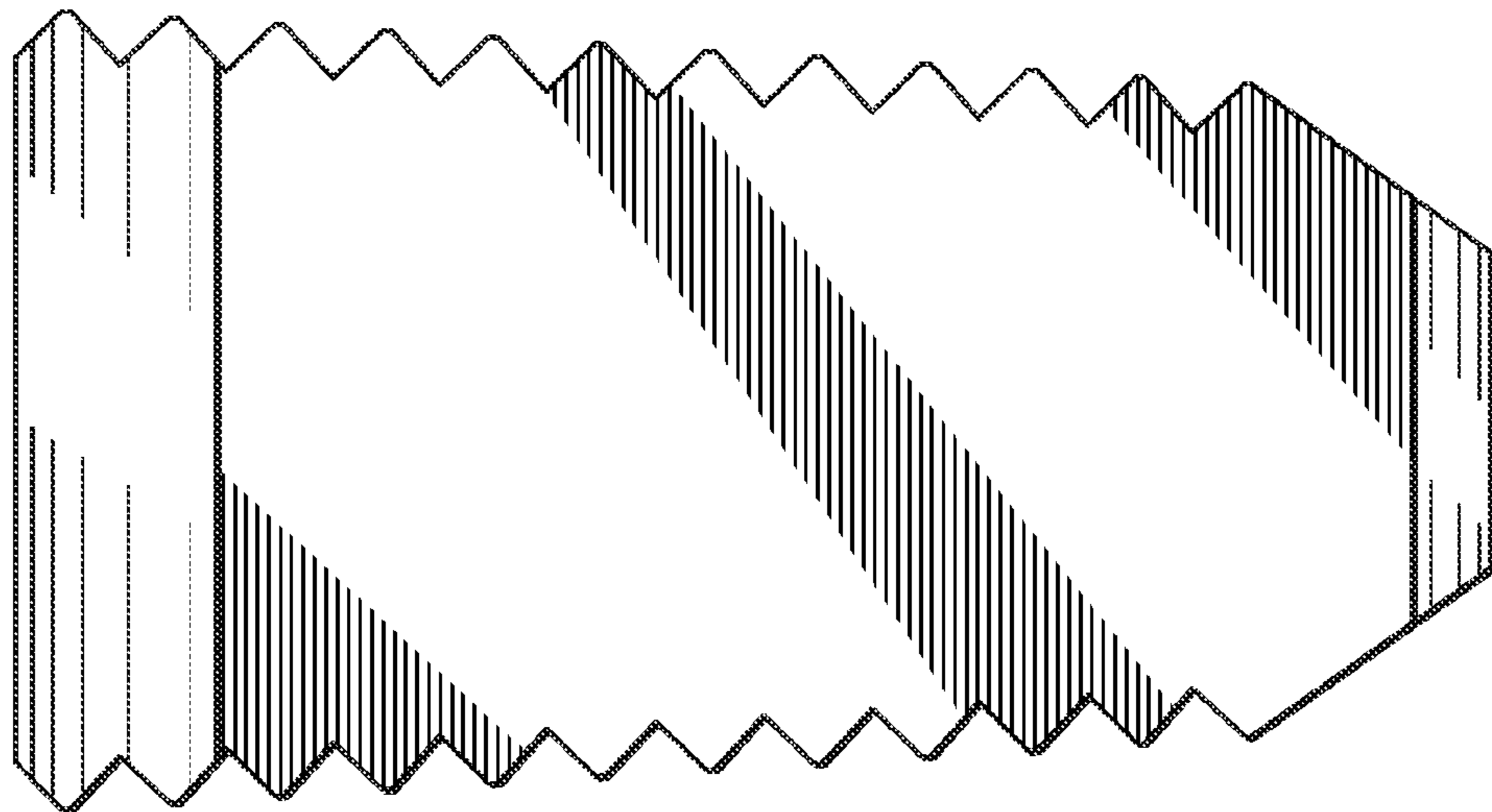


FIG. 2

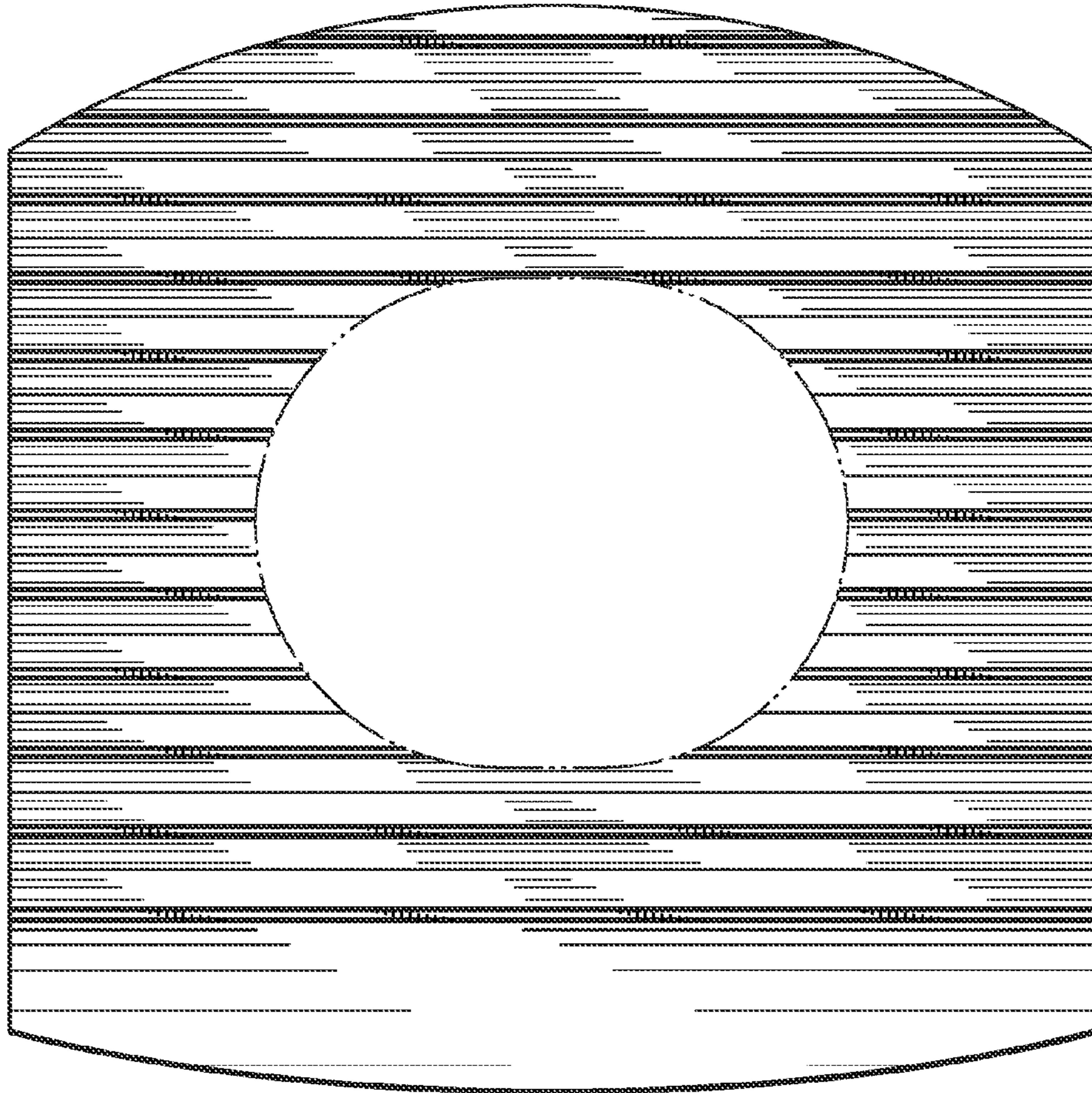


FIG. 3

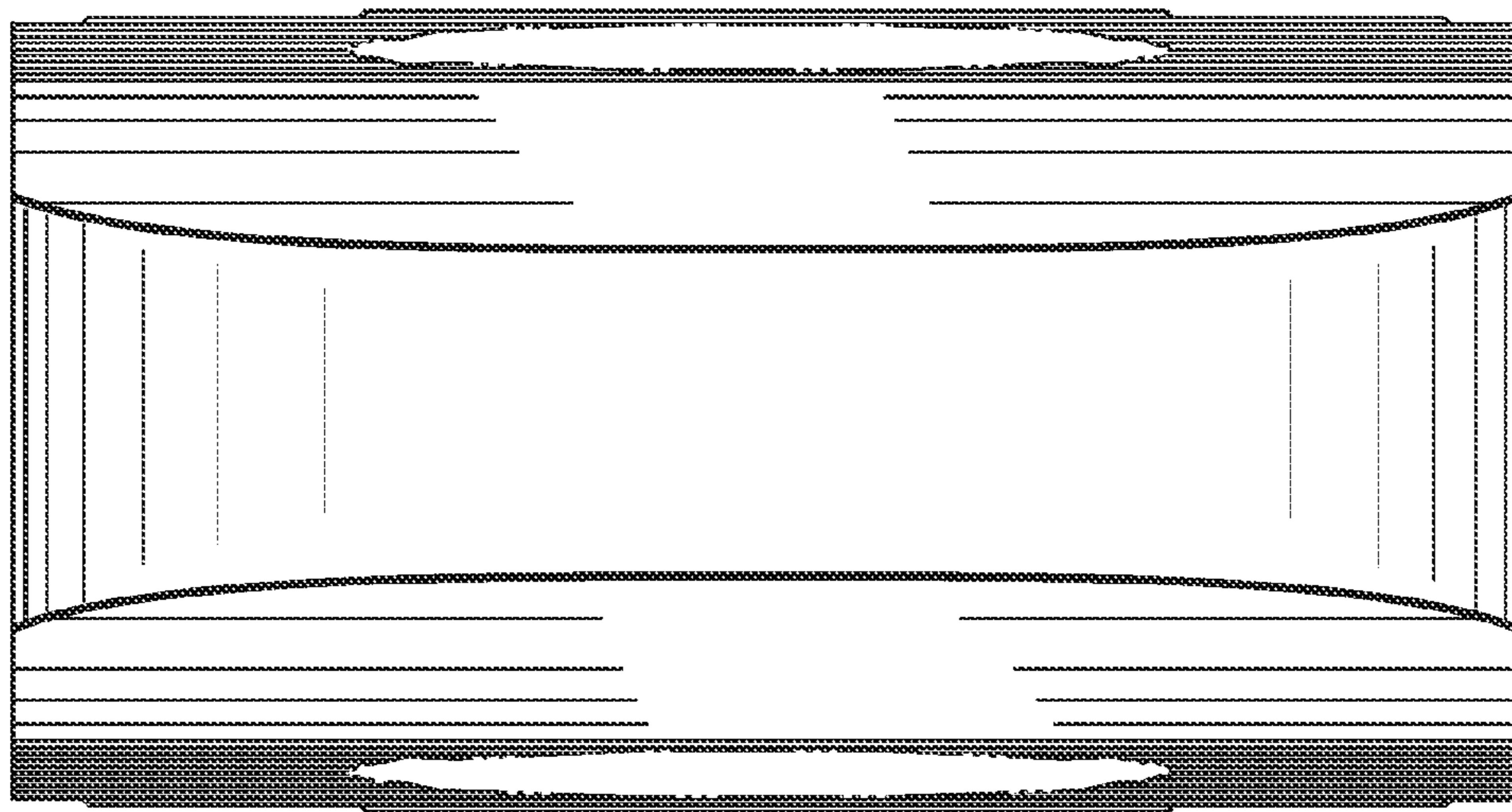


FIG. 4

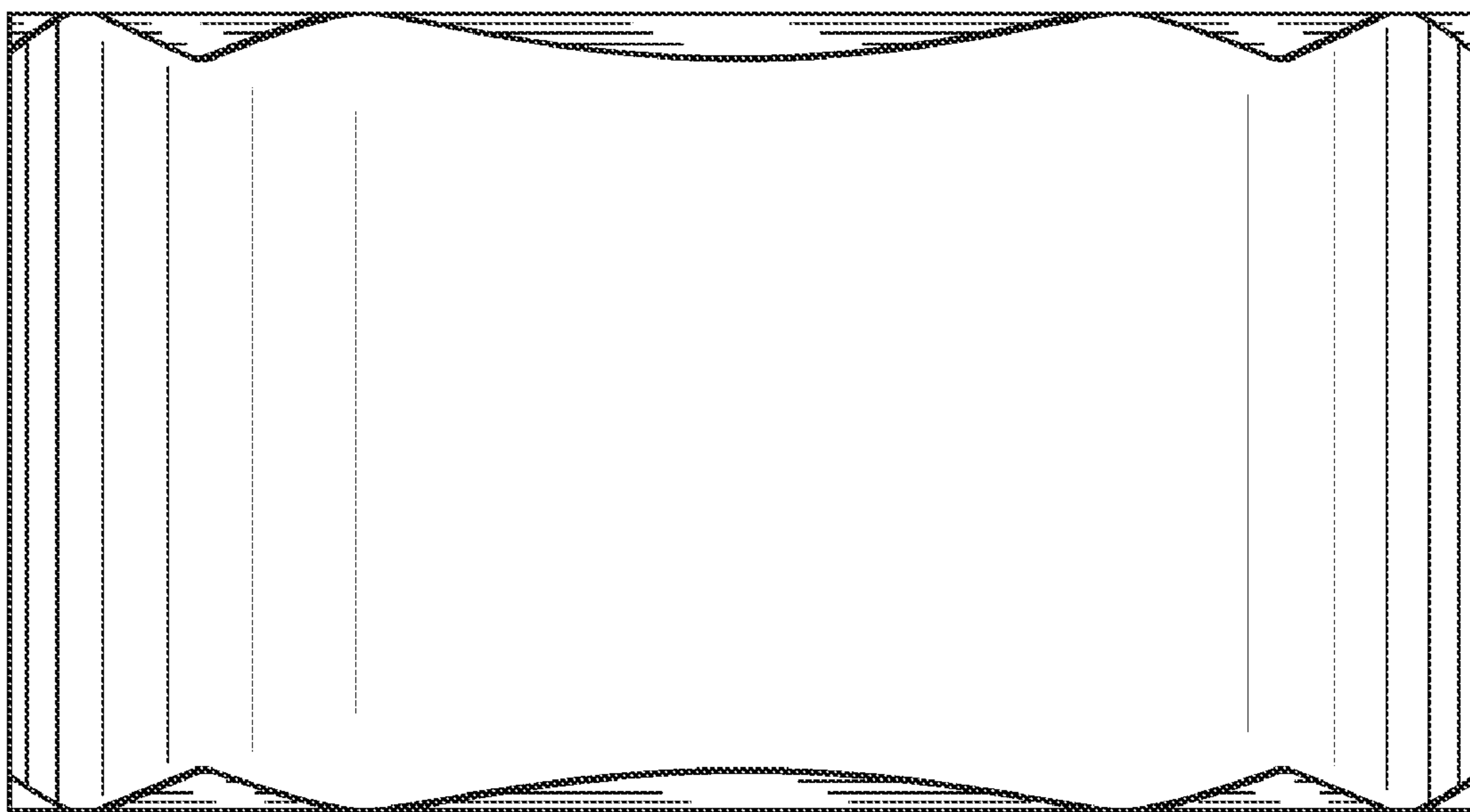


FIG. 5