



US00D595849S

(12) **United States Design Patent**
Logar

(10) **Patent No.:** **US D595,849 S**

(45) **Date of Patent:** **** Jul. 7, 2009**

(54) **CONTOURED INTERDENTAL SPACE
CLEANER**

(76) **Inventor:** **Tom Logar**, 3974 N. Ocean Dr., Singer
Island, FL (US) 33404

(**) **Term:** **14 Years**

(21) **Appl. No.:** **29/281,986**

(22) **Filed:** **Jul. 9, 2007**

(51) **LOC (9) Cl.** **24-02**

(52) **U.S. Cl.** **D24/152; D4/104**

(58) **Field of Classification Search** D24/155,
D24/156, 107, 176, 180, 181, 182, 152, 154,
D24/147; 433/173, 176, 49, 70, 168.1, 38,
433/39, 40, 47, 142, 141; D8/387, 388; D29/108,
D29/100; 128/859, 861, 862; 72/68, 299,
72/316; D4/103, 137, 199, 104; D19/35,
D19/66, 100, 53; D28/68; 132/329

See application file for complete search history.

(56) **References Cited**

U.S. PATENT DOCUMENTS

D101,325 S *	9/1936	Brown	D24/147
D310,139 S *	8/1990	Moharram	D4/104
D324,424 S *	3/1992	Michelson	D24/147
D361,208 S *	8/1995	Woods et al.	D4/104
5,680,876 A *	10/1997	Hasham et al.	132/329
5,704,388 A *	1/1998	Freeman	132/329

5,769,103 A *	6/1998	Turjak	132/329
D397,253 S *	8/1998	Satterfield	D4/104
D461,641 S *	8/2002	Davis	D4/104
D465,089 S *	11/2002	Harada	D4/104
6,821,121 B2 *	11/2004	Rosen	433/142
D516,720 S *	3/2006	Gwen	D24/147
D533,944 S *	12/2006	Sullivan et al.	D24/147

* cited by examiner

Primary Examiner—Charles A Rademaker

(57) **CLAIM**

The ornamental design for a contoured interdental space cleaner, as shown and described.

DESCRIPTION

FIG. 1 is a top perspective view of a contoured interdental space cleaner showing my new design;

FIG. 2 is a top plan view thereof shown on a slightly reduced scale;

FIG. 3 is a left side elevation thereof;

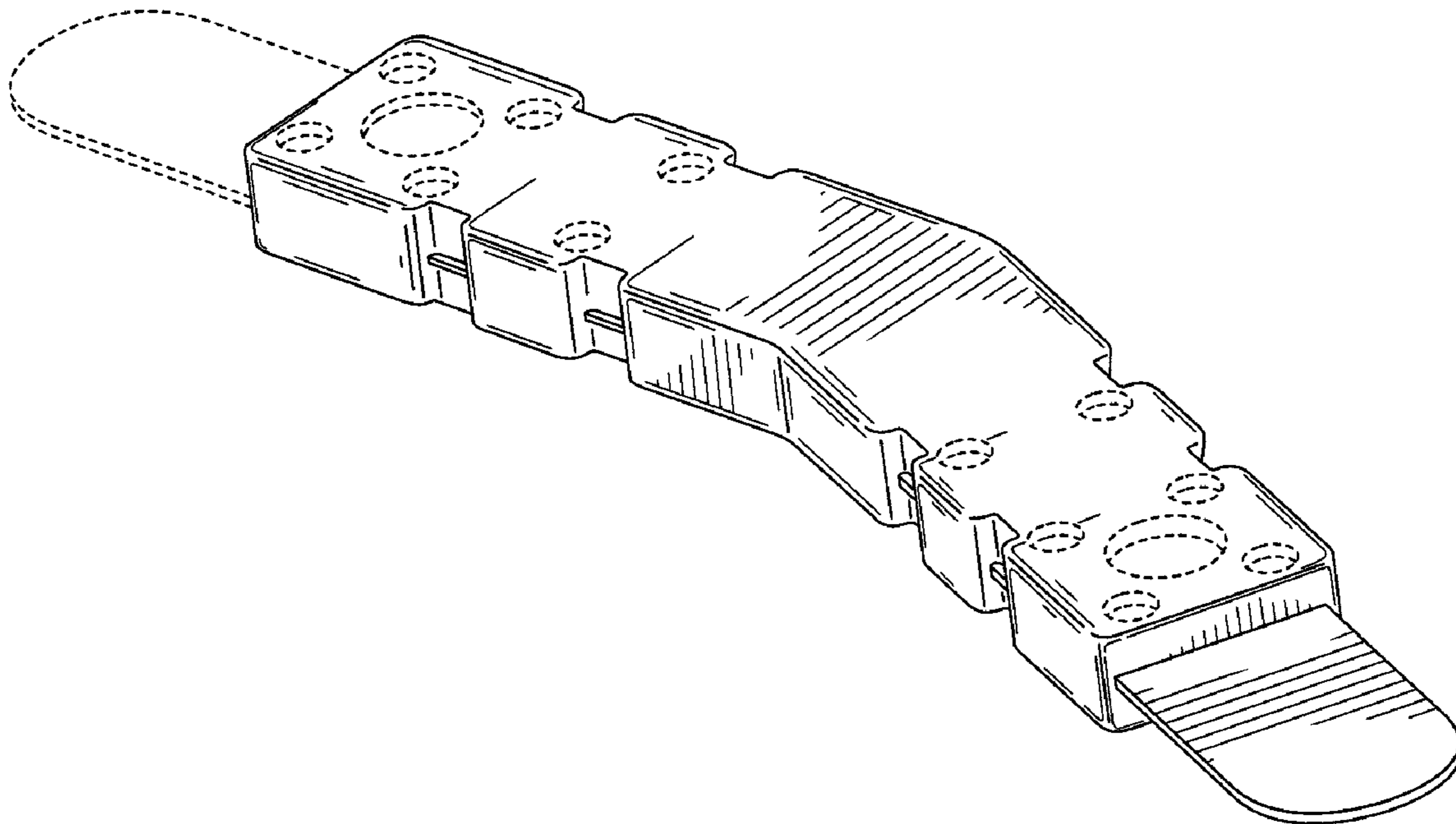
FIG. 4 is a right side elevation thereof ear elevation thereof;

FIG. 5 is a front elevation thereof; and,

FIG. 6 is a rear elevation thereof.

The broken lines shown in the drawings are included for the purpose of illustrating environmental structure and form no part of the claimed design.

1 Claim, 2 Drawing Sheets



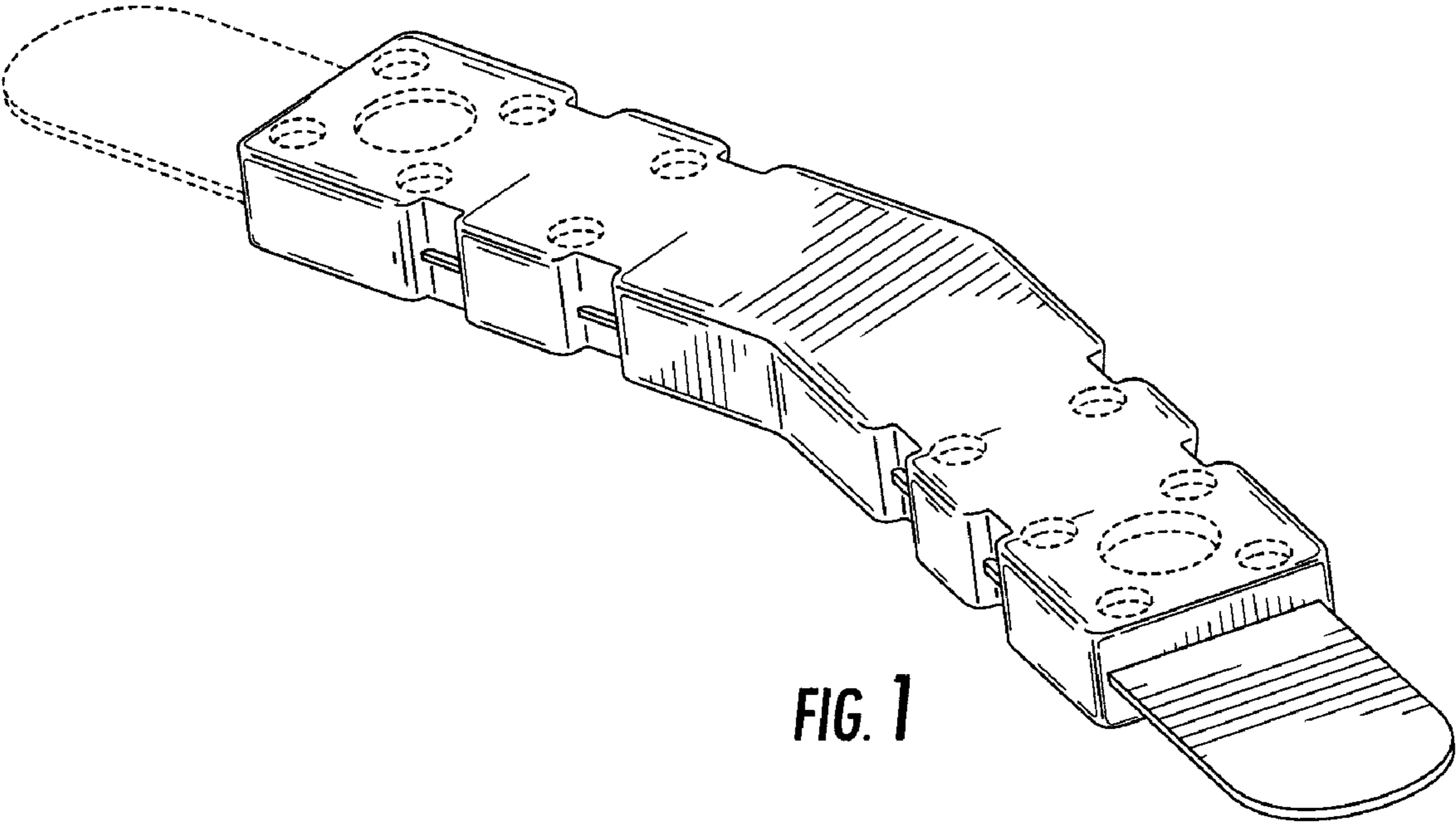


FIG. 1

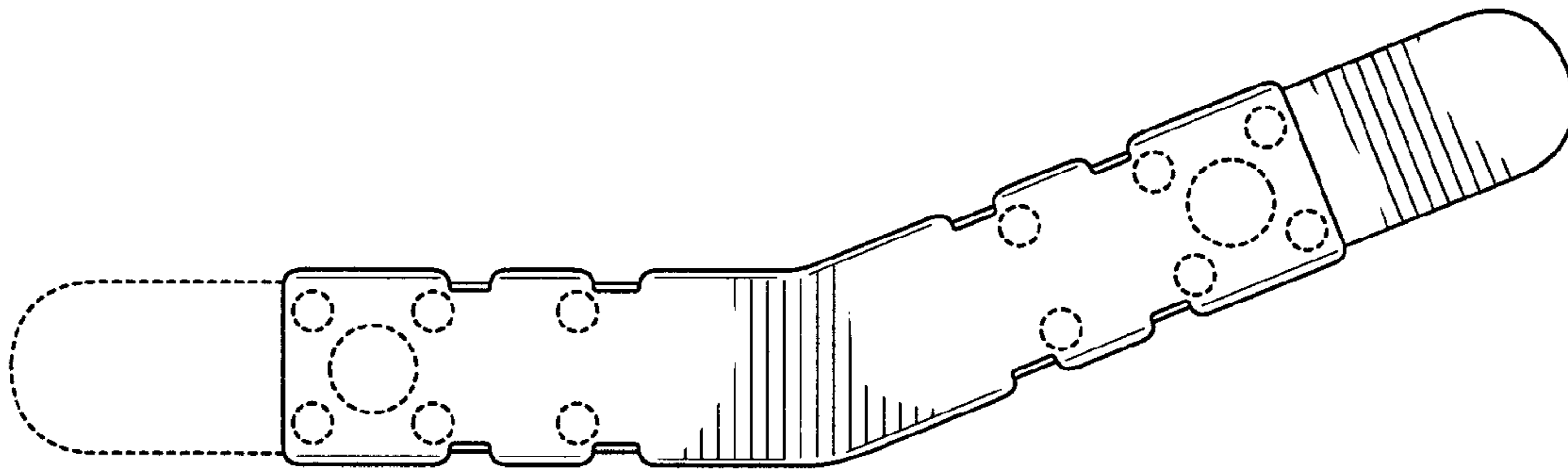


FIG. 2



FIG. 3

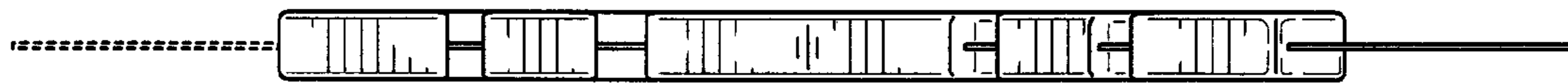


FIG. 4



FIG. 5



FIG. 6