



US00D595846S

(12) **United States Design Patent**  
**Racz et al.**

(10) **Patent No.:** **US D595,846 S**

(45) **Date of Patent:** **\*\* Jul. 7, 2009**

(54) **CATHETER CONNECTOR**

(75) Inventors: **N. Sandor Racz**, Coppell, TX (US);  
**Gary Bullard**, Saratoga Springs, NY (US)

(73) Assignee: **Custom Medical Applications, Inc.**,  
Johnstown, NY (US)

(\*\*) Term: **14 Years**

(21) Appl. No.: **29/293,314**

(22) Filed: **Nov. 14, 2007**

(51) **LOC (9) Cl.** ..... **24-02**

(52) **U.S. Cl.** ..... **D24/129**

(58) **Field of Classification Search** ..... D24/105,  
D24/108-109, 110.1, 129-130, 112; 128/879,  
128/912; 137/565.12; 604/164.11, 167.07,  
604/533, 536, 905, 912

See application file for complete search history.

(56) **References Cited**

**U.S. PATENT DOCUMENTS**

3,254,671	A	6/1966	Berliner
3,920,215	A	11/1975	Knauf
D243,412	S	2/1977	Krueger et al.
4,327,723	A	5/1982	Frankhouser
4,378,013	A	3/1983	LeFevre
4,517,971	A	5/1985	Sorbonne
4,613,329	A	9/1986	Bodicky
4,834,719	A	5/1989	Arenas
4,895,570	A	1/1990	Larkin
4,929,236	A	5/1990	Sampson
D323,713	S	2/1992	Arioka et al.
5,116,324	A	5/1992	Brierley et al.

(Continued)

*Primary Examiner*—T. Chase Nelson  
*Assistant Examiner*—Eric L Goodman  
(74) *Attorney, Agent, or Firm*—TraskBritt

(57) **CLAIM**

The ornamental design for a catheter connector, as shown and described.

**DESCRIPTION**

FIG. 1 is a perspective view of a catheter connector showing my new design;

FIG. 2 is a top view of the catheter connector shown in FIG. 1;

FIG. 3 is a bottom view of the catheter connector shown in FIG. 1;

FIG. 4 is a side view of the catheter connector shown in FIG. 1;

FIG. 5 is another side view of the catheter connector shown in FIG. 1;

FIG. 6 is a rear view of a first portion of the catheter connector shown in FIG. 1;

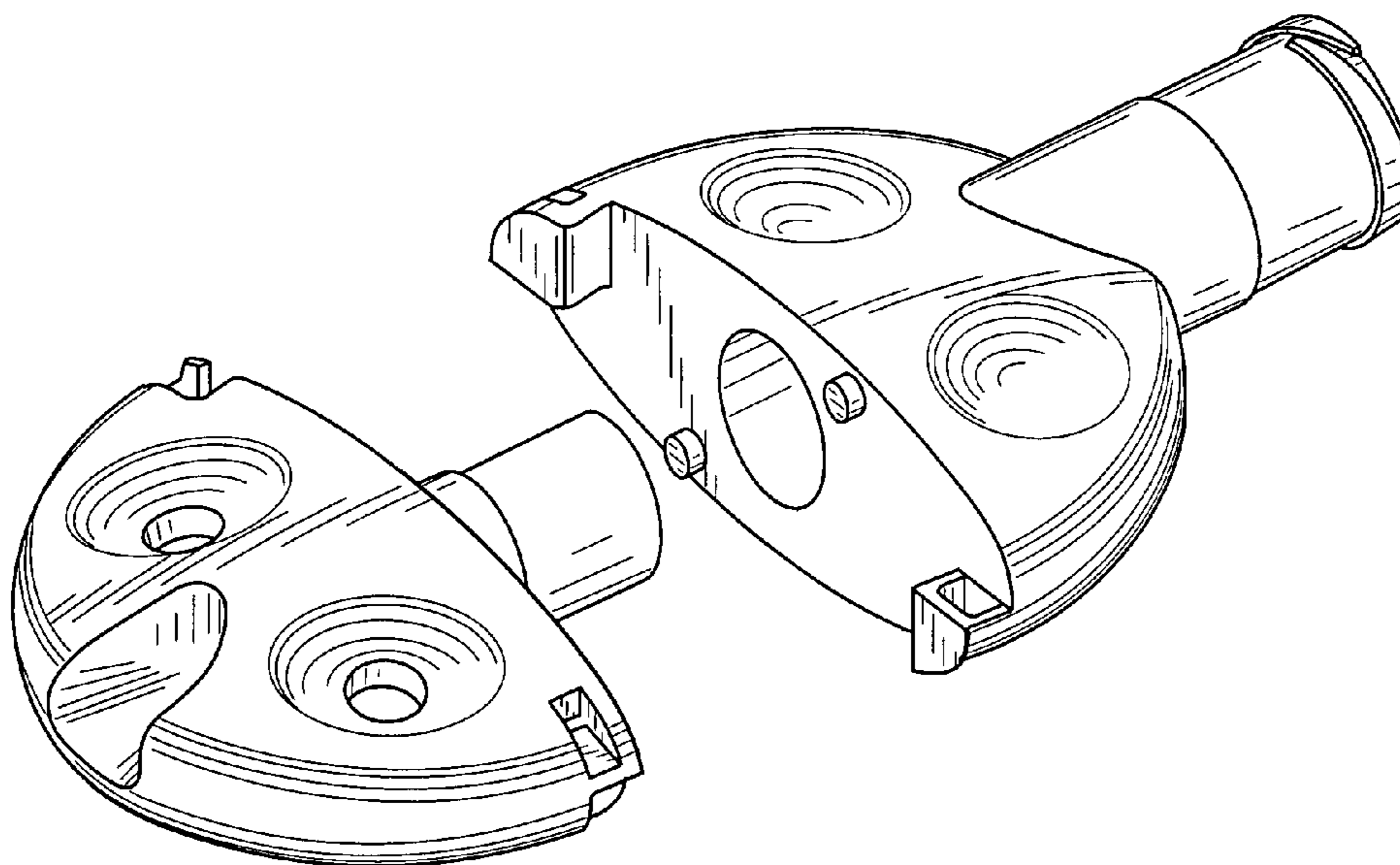
FIG. 7 is a front view of the first portion of the catheter connector shown in FIG. 1;

FIG. 8 is a front view of a second portion of the catheter connector shown in FIG. 1; and,

FIG. 9 is a rear view of the second portion of the catheter connector shown in FIG. 1.

The uneven broken lines in FIGS. 7, 8, and 9 represent boundaries of the claimed design. The uneven broken line representation of an aperture within the area circumscribed by the circular shaped boundary, as well as all of the boundaries themselves, are for illustrative purposes only and form no part of the claimed design.

**1 Claim, 3 Drawing Sheets**



# US D595,846 S

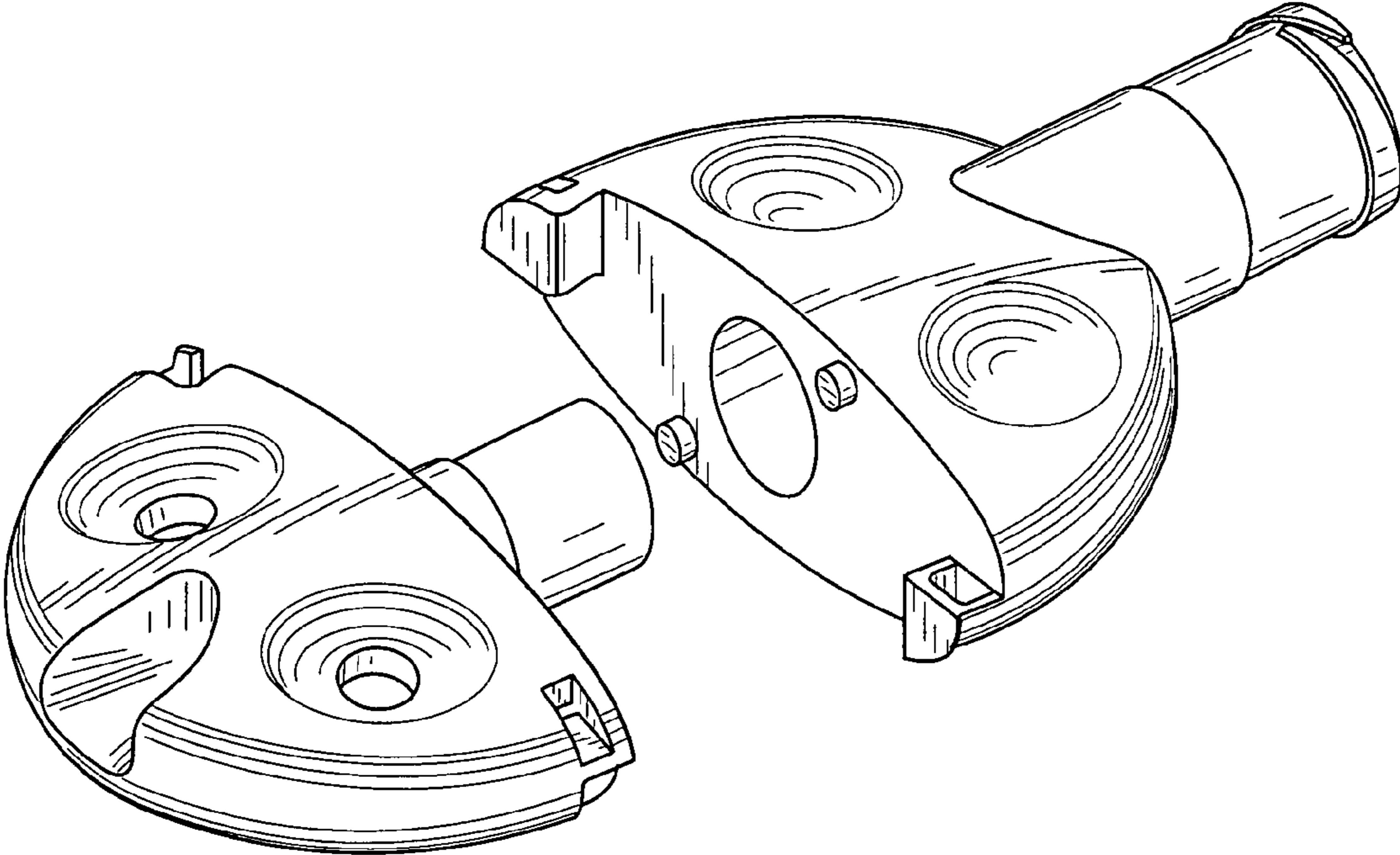
Page 2

---

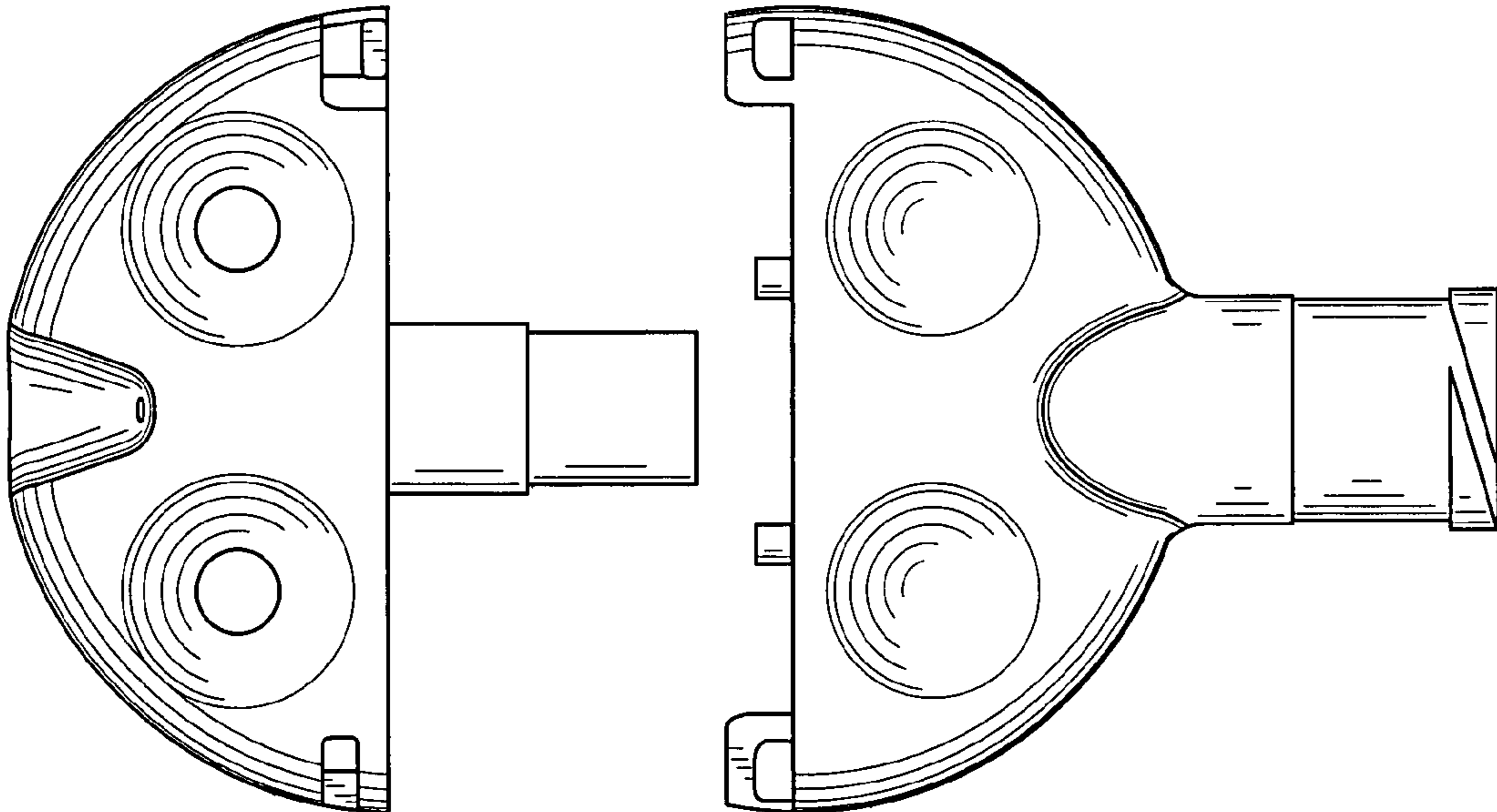
## U.S. PATENT DOCUMENTS

5,127,626	A	7/1992	Hilal et al.	6,254,589	B1	7/2001	Roaz
5,279,597	A	1/1994	Dassa et al.	6,332,874	B1	12/2001	Eliassen et al.
5,505,714	A	4/1996	Dassa et al.	D483,869	S	12/2003	Tran et al.
5,507,733	A	4/1996	Larkin et al.	D485,379	S	1/2004	Stekelenburg
D408,530	S	4/1999	Eliassen et al.	D486,225	S	2/2004	Gay, III
5,993,437	A	11/1999	Roaz	D496,098	S	9/2004	Guney et al.
D422,697	S	4/2000	Bellhouse et al.	D538,953	S *	3/2007	Mama ..... D26/2
6,099,519	A	8/2000	Olsen et al.	D547,446	S	7/2007	Racz et al.
6,123,690	A	9/2000	Mejslov	7,252,652	B2 *	8/2007	Moorehead et al. .... 604/247
D433,503	S	11/2000	Powers et al.	D550,335	S	9/2007	Racz et al.
6,190,372	B1	2/2001	Racz	2001/0053889	A1	12/2001	Marggi et al.
				2002/0173748	A1	11/2002	McConnell et al.

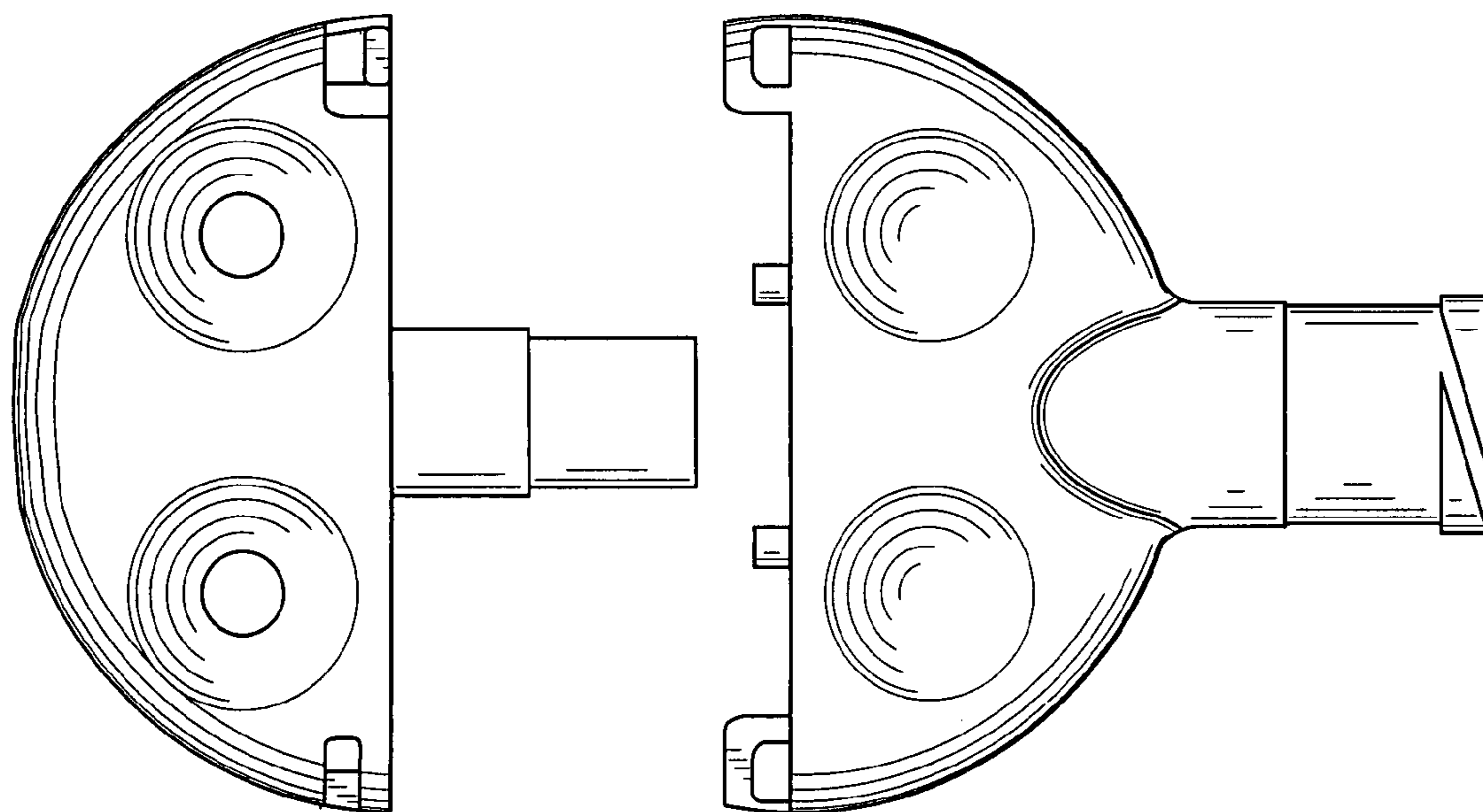
\* cited by examiner



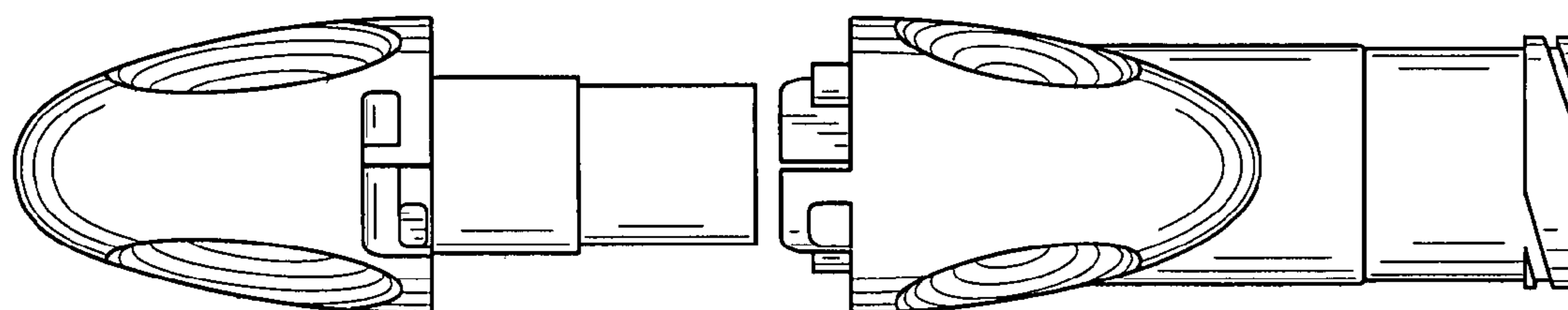
**FIG. 1**



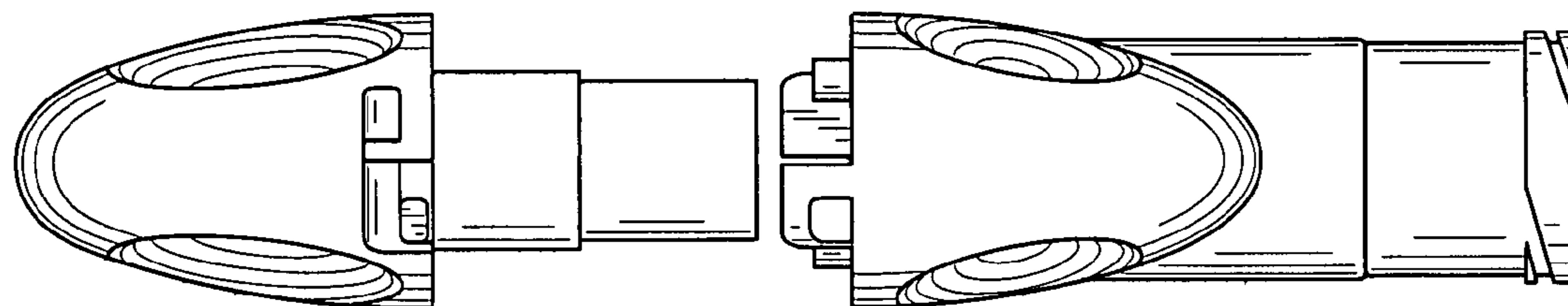
**FIG. 2**



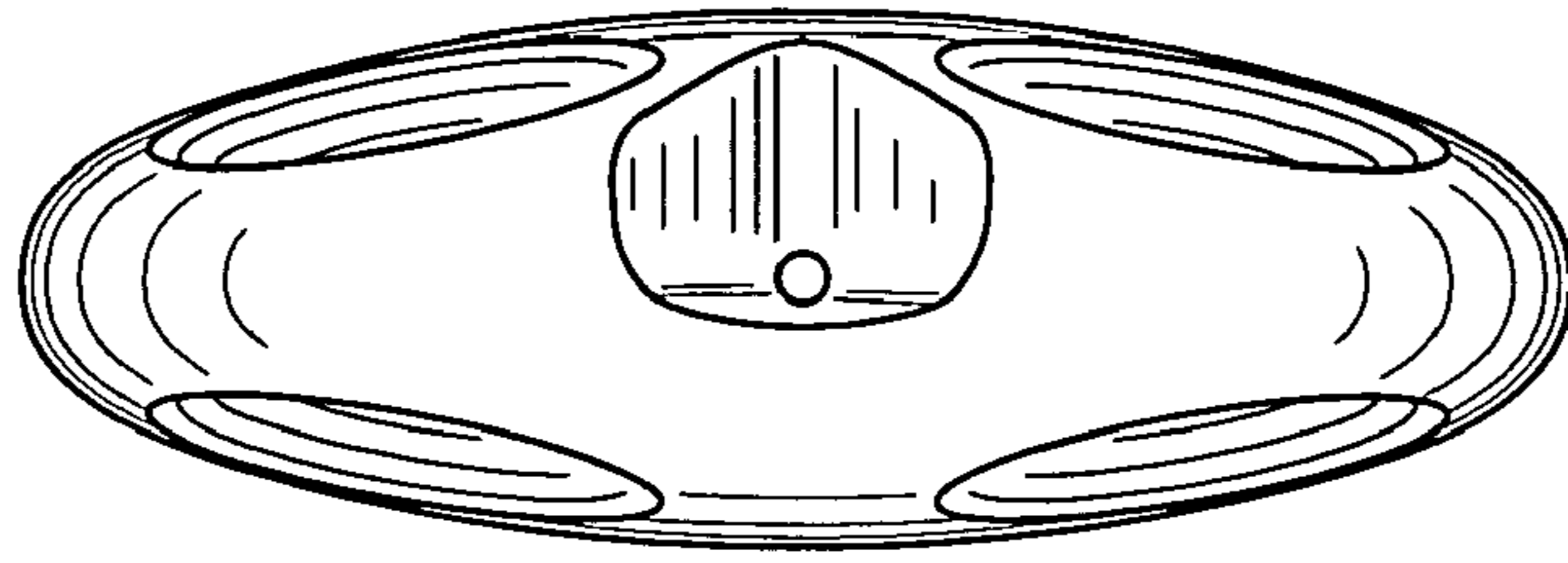
**FIG. 3**



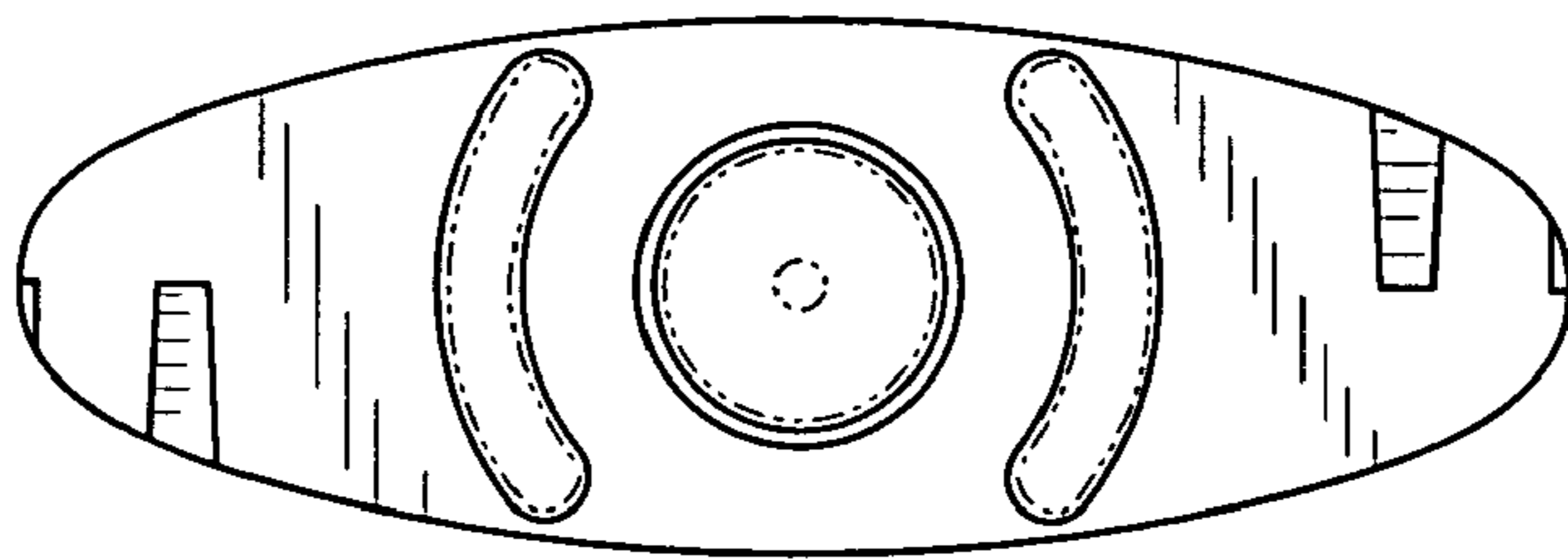
**FIG. 4**



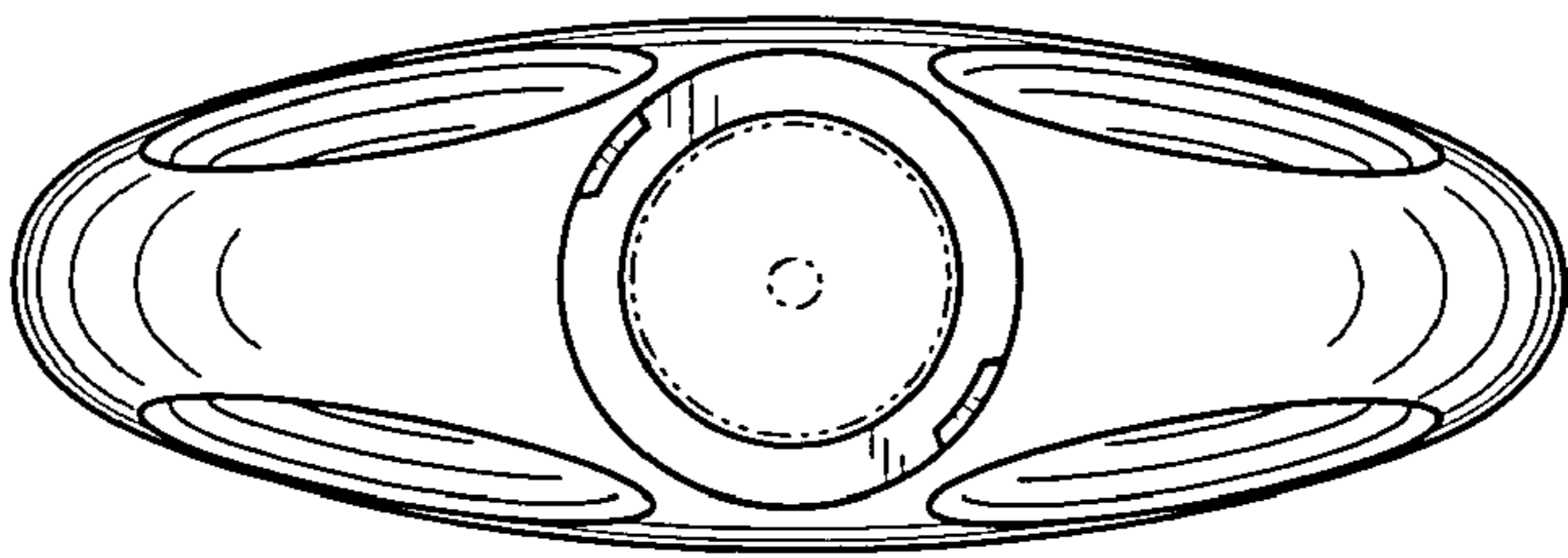
**FIG. 5**



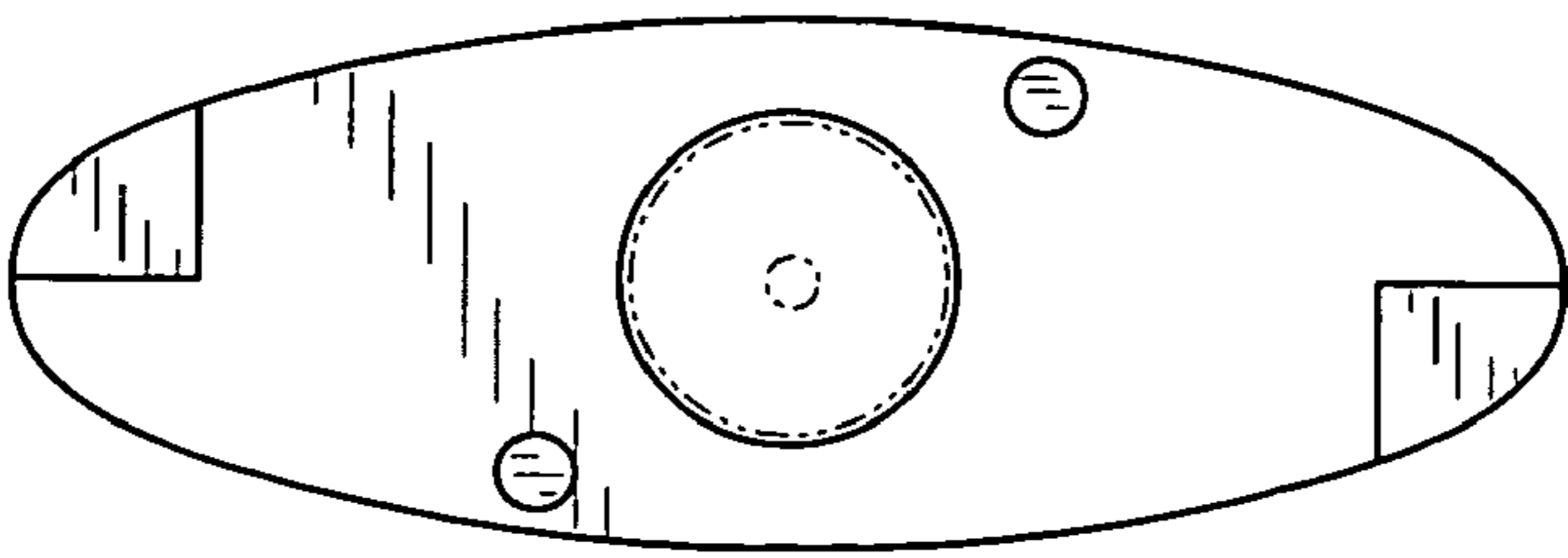
**FIG. 6**



**FIG. 7**



**FIG. 8**



**FIG. 9**