



US00D595845S

(12) **United States Design Patent**
Mros et al.

(10) **Patent No.:** **US D595,845 S**
(45) **Date of Patent:** **** Jul. 7, 2009**

(54) **CONNECTOR AND PORT ARRANGEMENT WITH ARCUATE TUBE RETAINERS**

(75) Inventors: **Henry Mros**, Taunton, MA (US); **Peter Martin**, Assonet, MA (US)

(73) Assignee: **Tyco Healthcare Group LP**, Mansfield, MA (US)

(**) Term: **14 Years**

(21) Appl. No.: **29/280,162**

(22) Filed: **May 18, 2007**

(51) **LOC (9) Cl.** **24-02**

(52) **U.S. Cl.** **D24/129**

(58) **Field of Classification Search** D24/129;
D23/259–260, 265; 128/DIG. 10, DIG. 20,
128/24, 84, 202.27, 205.24; 285/304–305,
285/26, 319, 317, 137.1

See application file for complete search history.

(56) **References Cited**

U.S. PATENT DOCUMENTS

369,813 A	9/1887	Rader	
1,181,481 A	5/1916	Robinson	
1,578,368 A	3/1926	Robinson	
1,936,015 A	11/1933	Harrell	
2,628,850 A	2/1953	Summerville	
RE29,054 E	11/1976	Lange	
4,253,449 A	3/1981	Arkans et al.	
4,280,485 A	7/1981	Arkans	
4,378,124 A	3/1983	Weirich et al.	
4,478,436 A	10/1984	Hashimoto	
4,801,162 A	1/1989	Rozycki	
4,804,208 A	2/1989	Dye	
D333,293 S *	2/1993	Ashida	D13/147
5,219,185 A	6/1993	Oddenino	
5,234,185 A	8/1993	Hoffman et al.	
5,236,227 A	8/1993	Adams et al.	
D357,736 S	4/1995	Dye	
D363,988 S	11/1995	Dye	
D364,459 S	11/1995	Dye	
D364,460 S	11/1995	Dye	

5,478,119 A	12/1995	Dye
D373,191 S	8/1996	Ribando et al.
D373,192 S	8/1996	Murphy et al.
5,588,954 A	12/1996	Ribando et al.
5,662,500 A	9/1997	Yeah
5,725,485 A	3/1998	Ribando et al.
D396,695 S	8/1998	Shen
5,951,059 A	9/1999	Kitamura
6,062,244 A	5/2000	Arkans
D460,046 S	7/2002	Wood
D460,147 S	7/2002	Wood
RE38,204 E	7/2003	Kazarian

(Continued)

Primary Examiner—T. Chase Nelson

Assistant Examiner—Eric L Goodman

(74) *Attorney, Agent, or Firm*—Edward S. Jarmolowicz, Esq.

(57) **CLAIM**

The ornamental design for a connector and port arrangement with arcuate tube retainers, as shown and described.

DESCRIPTION

FIG. 1 is a perspective view of the connector and port arrangement with arcuate tube retainers;

FIG. 2 is a front elevational view, the rear elevational view forming no part of the invention;

FIG. 3 is a right side elevational view, the left side elevational view being a mirror image thereof;

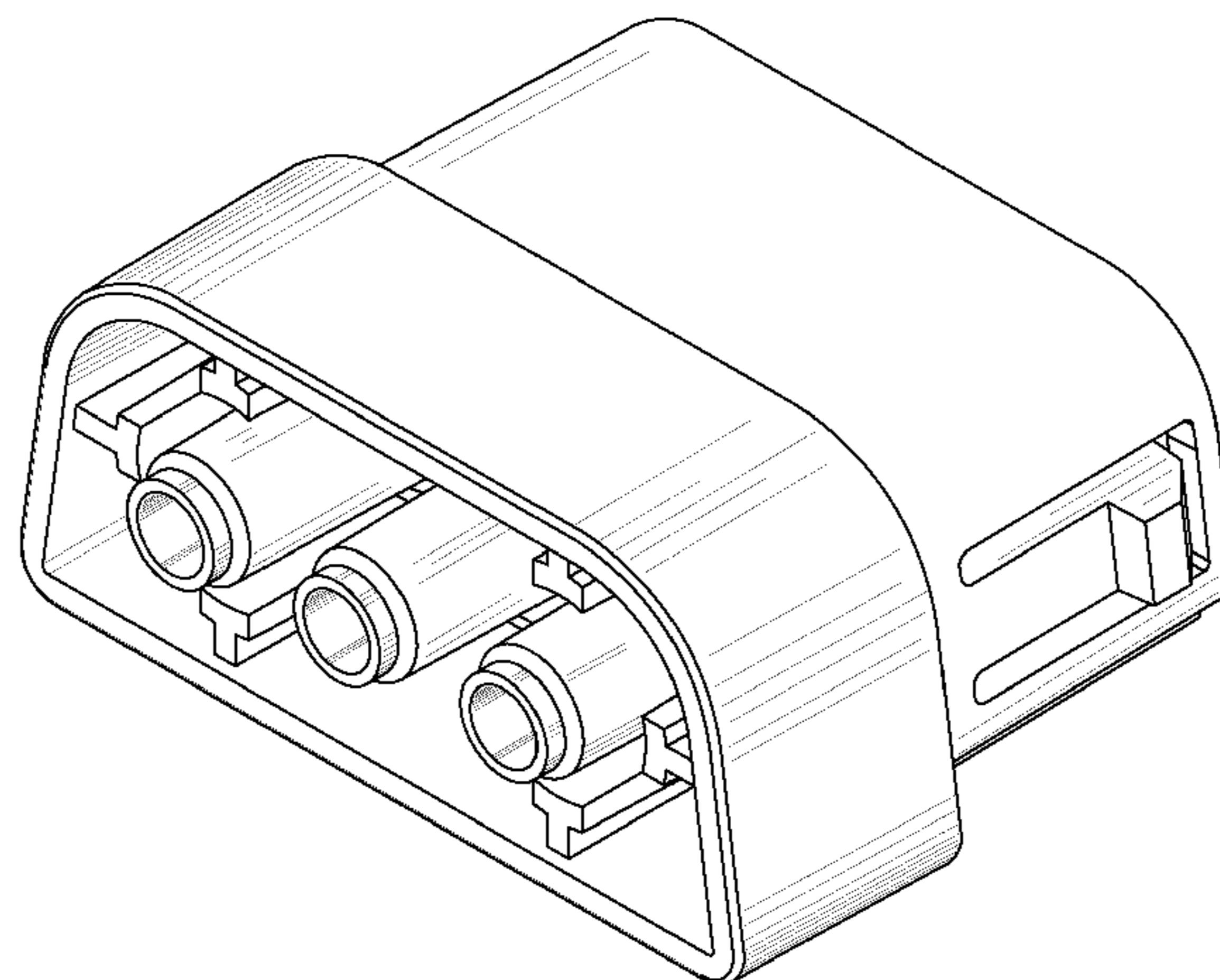
FIG. 4 is a top plan view thereof;

FIG. 5 is a bottom plan view thereof; and,

FIG. 6 is a cross section taken widthwise of the connector and port arrangement with arcuate tube retainers along line 6—6 in FIG. 4.

The phantom lines in the drawings indicate environmental structure which forms no part of the claimed design.

1 Claim, 6 Drawing Sheets



US D595,845 S

Page 2

U.S. PATENT DOCUMENTS							
				D516,514 S	3/2006	Chau et al.	
				7,163,531 B2	1/2007	Seese et al.	
6,802,855 B2	10/2004	Ellingboe et al.		2005/0143682 A1	6/2005	Cook et al.	
6,827,728 B2	12/2004	Ellingboe et al.		2005/0184264 A1	8/2005	Tesluk et al.	
6,871,878 B2	3/2005	Miros					
6,926,311 B2 *	8/2005	Chang et al.	285/317	* cited by examiner			

FIG. 1

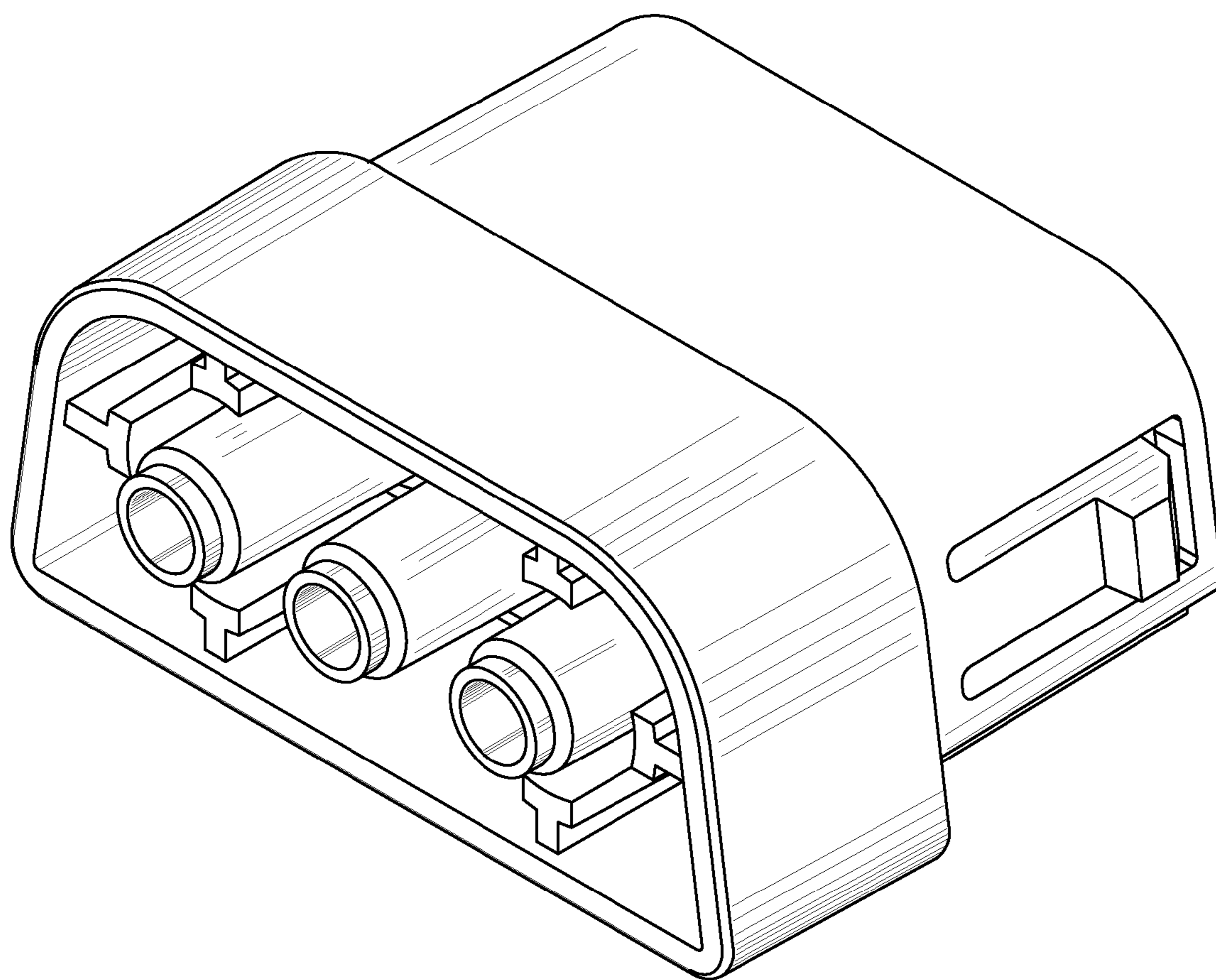


FIG. 2

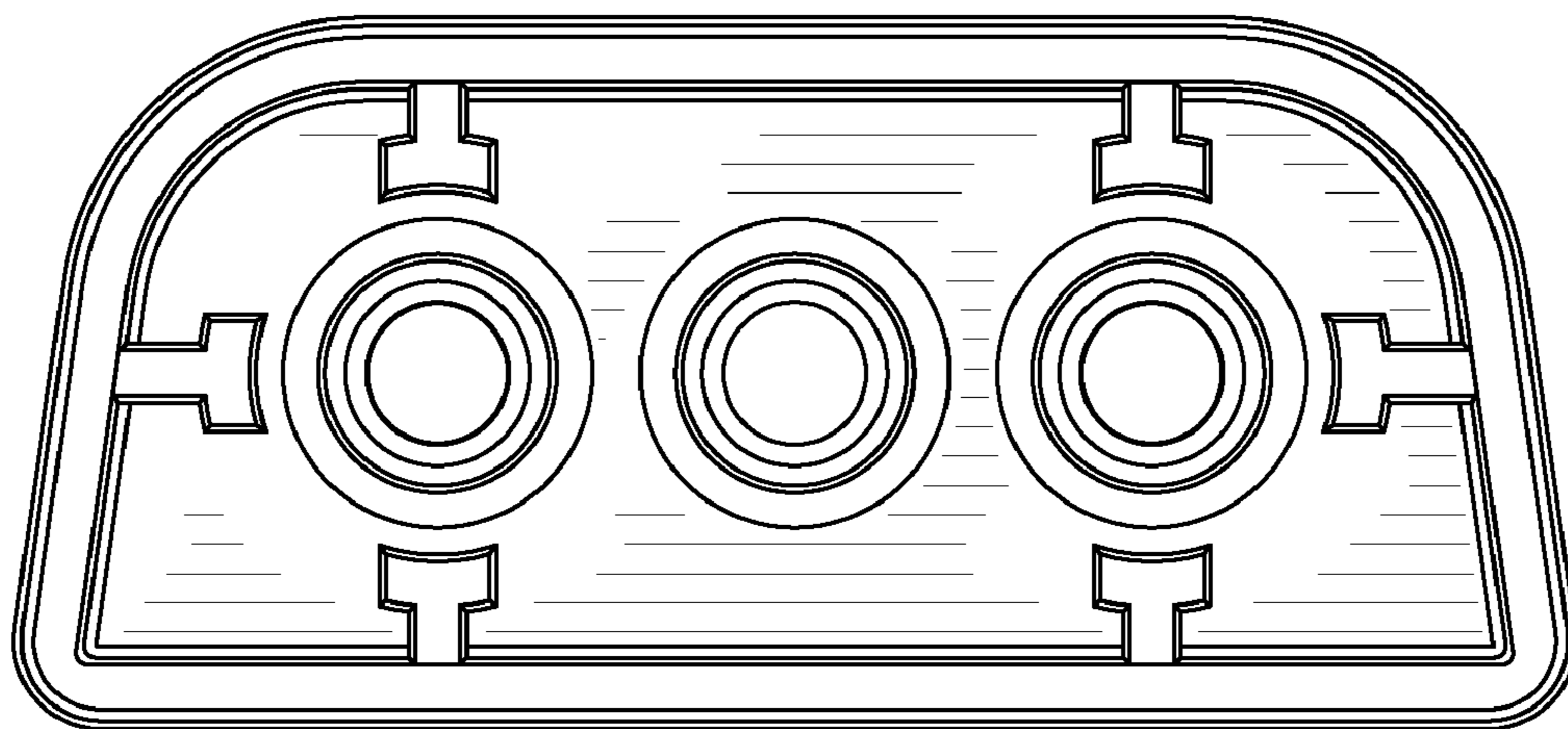


FIG. 3

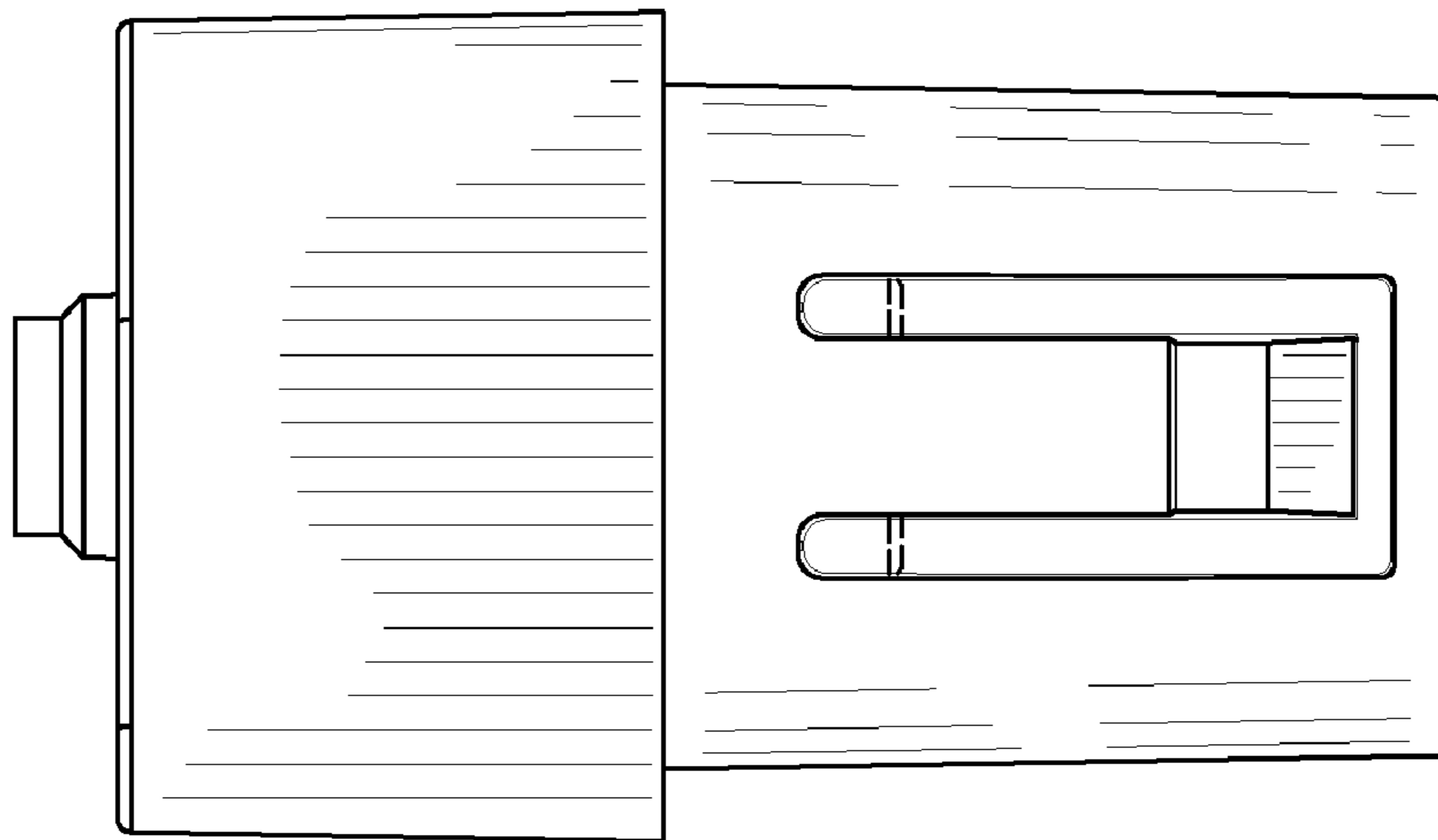


FIG. 4

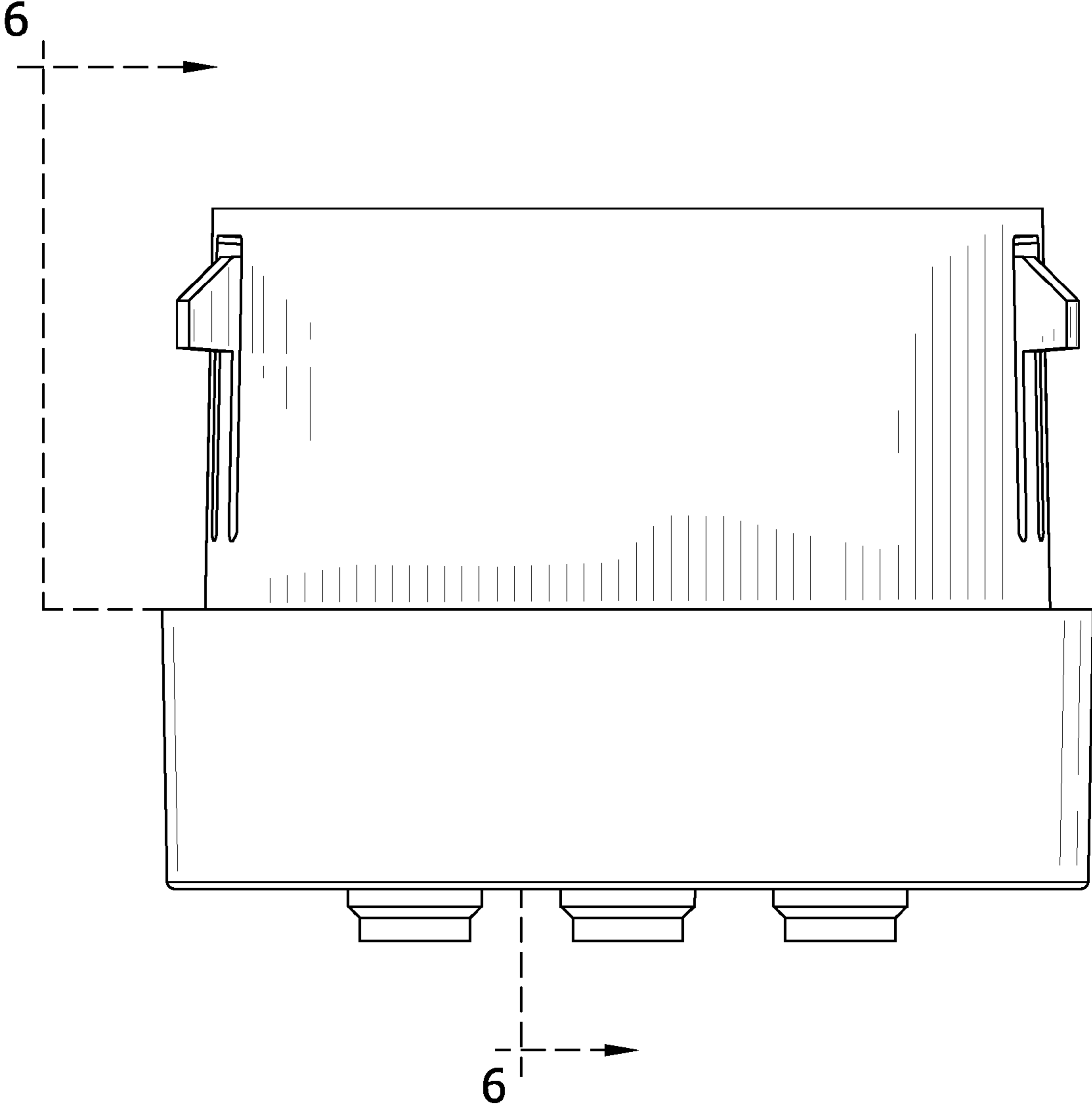


FIG. 5

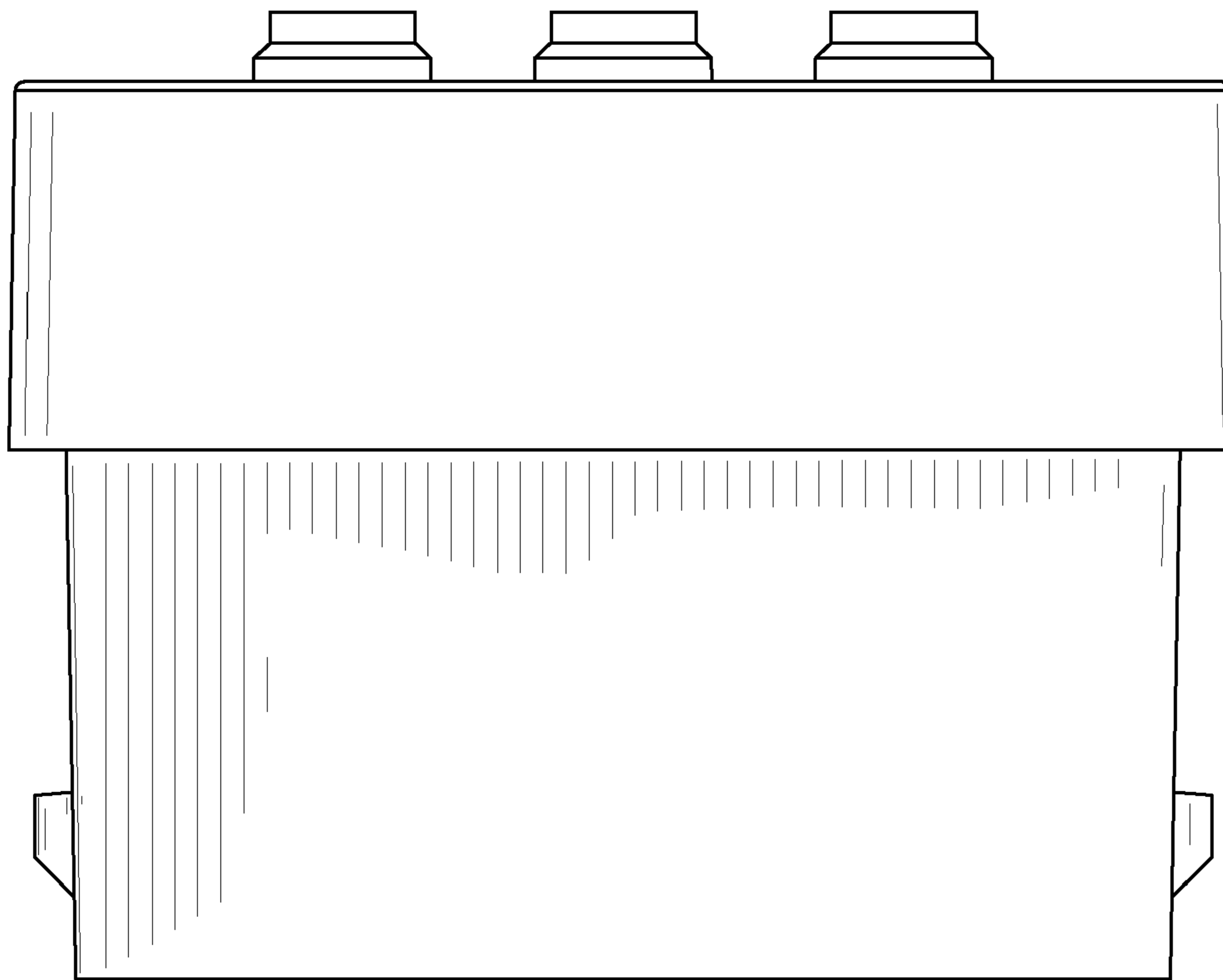


FIG. 6

