



US00D595837S

(12) **United States Design Patent**  
**Benner**

(10) **Patent No.:** **US D595,837 S**  
(45) **Date of Patent:** **\*\* Jul. 7, 2009**

- (54) **EAR PLUG**
- (75) Inventor: **Devin Benner**, Pleasant Ridge, MI (US)
- (73) Assignee: **McKeon Products, Inc.**, Warren, MI (US)
- (\*\*) Term: **14 Years**
- (21) Appl. No.: **29/295,931**
- (22) Filed: **Oct. 10, 2007**

4,564,009	A	*	1/1986	Brinkhoff	.....	128/864
5,452,731	A	*	9/1995	Dickman	.....	128/864
D418,650	S	*	1/2000	Neuhaus	.....	D34/1
D423,664	S	*	4/2000	Falco	.....	D24/106
D435,626	S	*	12/2000	Benini	.....	D22/116
D449,592	S	*	10/2001	Koss et al.	.....	D14/223
D541,412	S	*	4/2007	Benner	.....	D24/106

\* cited by examiner

*Primary Examiner*—Ian Simmons  
*Assistant Examiner*—Anna J Burmeister  
(74) *Attorney, Agent, or Firm*—Butzel Long

**Related U.S. Application Data**

- (63) Continuation-in-part of application No. 29/270,085, filed on Dec. 14, 2006, now Pat. No. Des. 589,135.

- (51) **LOC (9) Cl.** ..... **24-04**
- (52) **U.S. Cl.** ..... **D24/106**
- (58) **Field of Classification Search** ..... D24/106, D24/134, 173, 174; 128/864, 866; 181/129, 181/130, 135; 381/224, 317, 330; D14/205, D14/206; D29/112  
See application file for complete search history.

(56) **References Cited**

**U.S. PATENT DOCUMENTS**

2,672,863	A	*	3/1954	Leight	.....	128/867
D236,162	S	*	7/1975	Leight	.....	D24/106

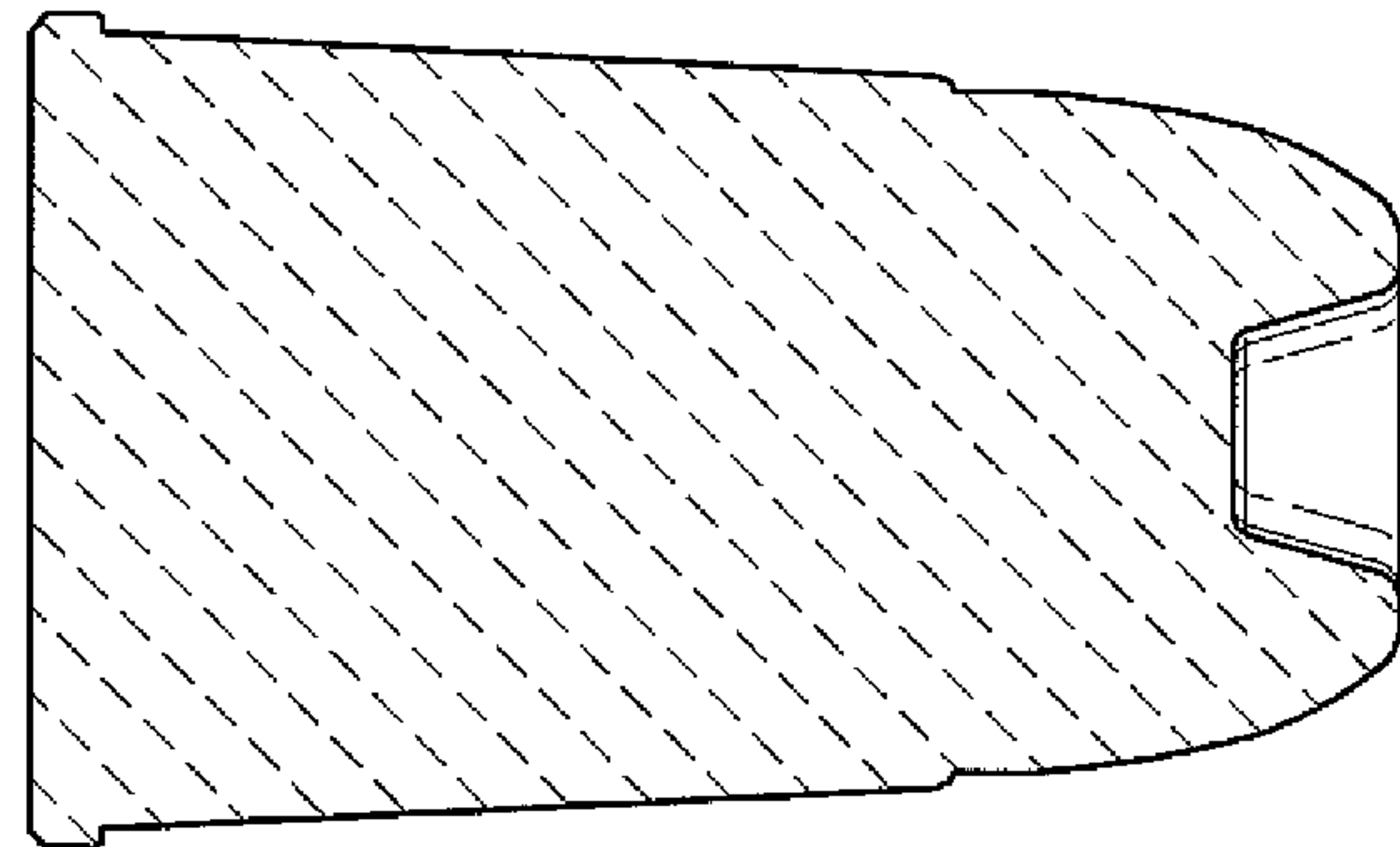
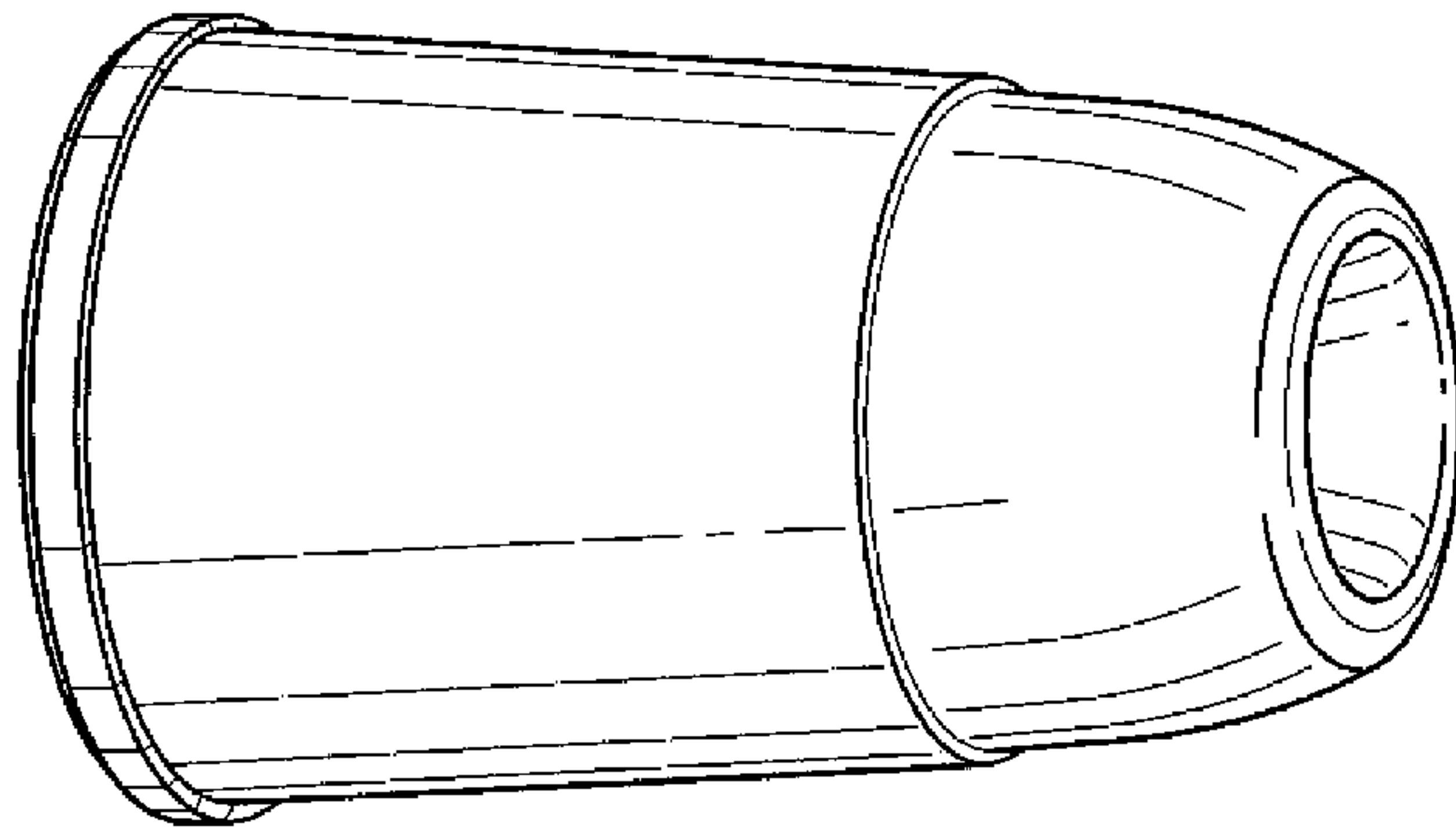
(57) **CLAIM**

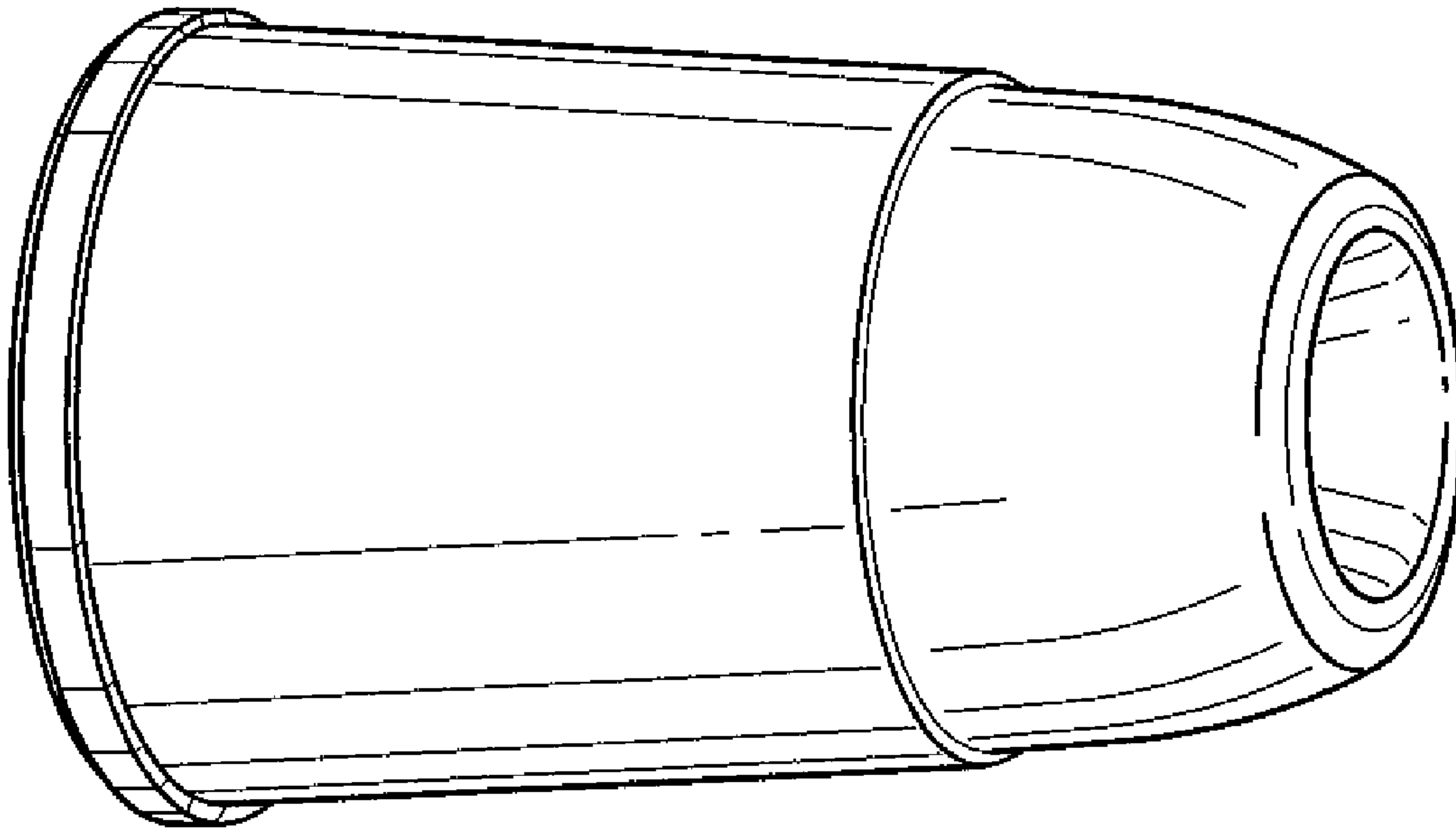
The ornamental design for an ear plug, as shown and described.

**DESCRIPTION**

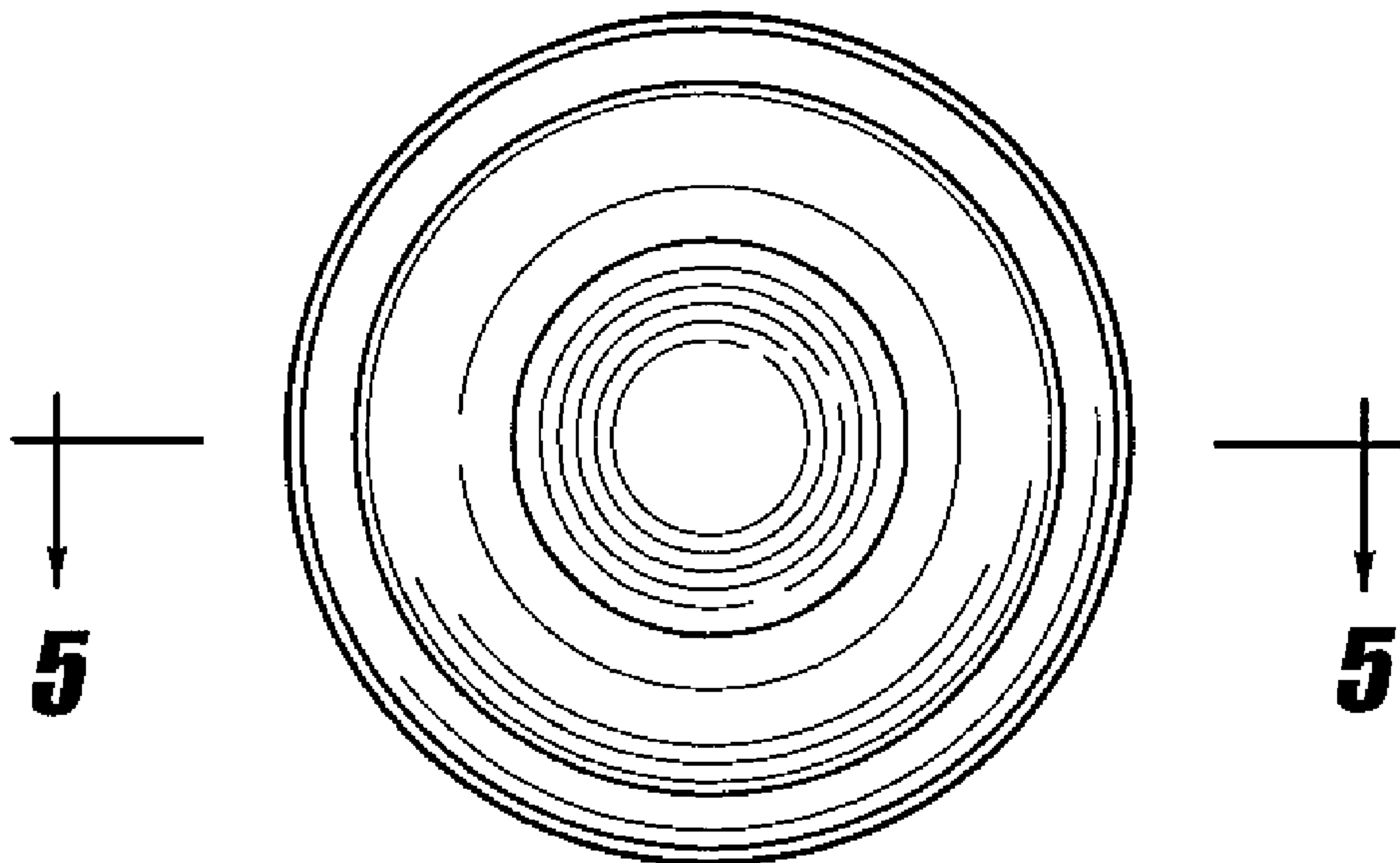
FIG. 1 is a front perspective view of an ear plug, showing my new design;  
FIG. 2 is a top plan view thereof;  
FIG. 3 is a side elevational view thereof;  
FIG. 4 is a bottom plan view thereof; and,  
FIG. 5 is a cross-sectional view thereof, taken along the 5—5 line of FIG. 2, whereas the dashed lines are for environmental purposes only and form no part of the claimed design.

**1 Claim, 3 Drawing Sheets**

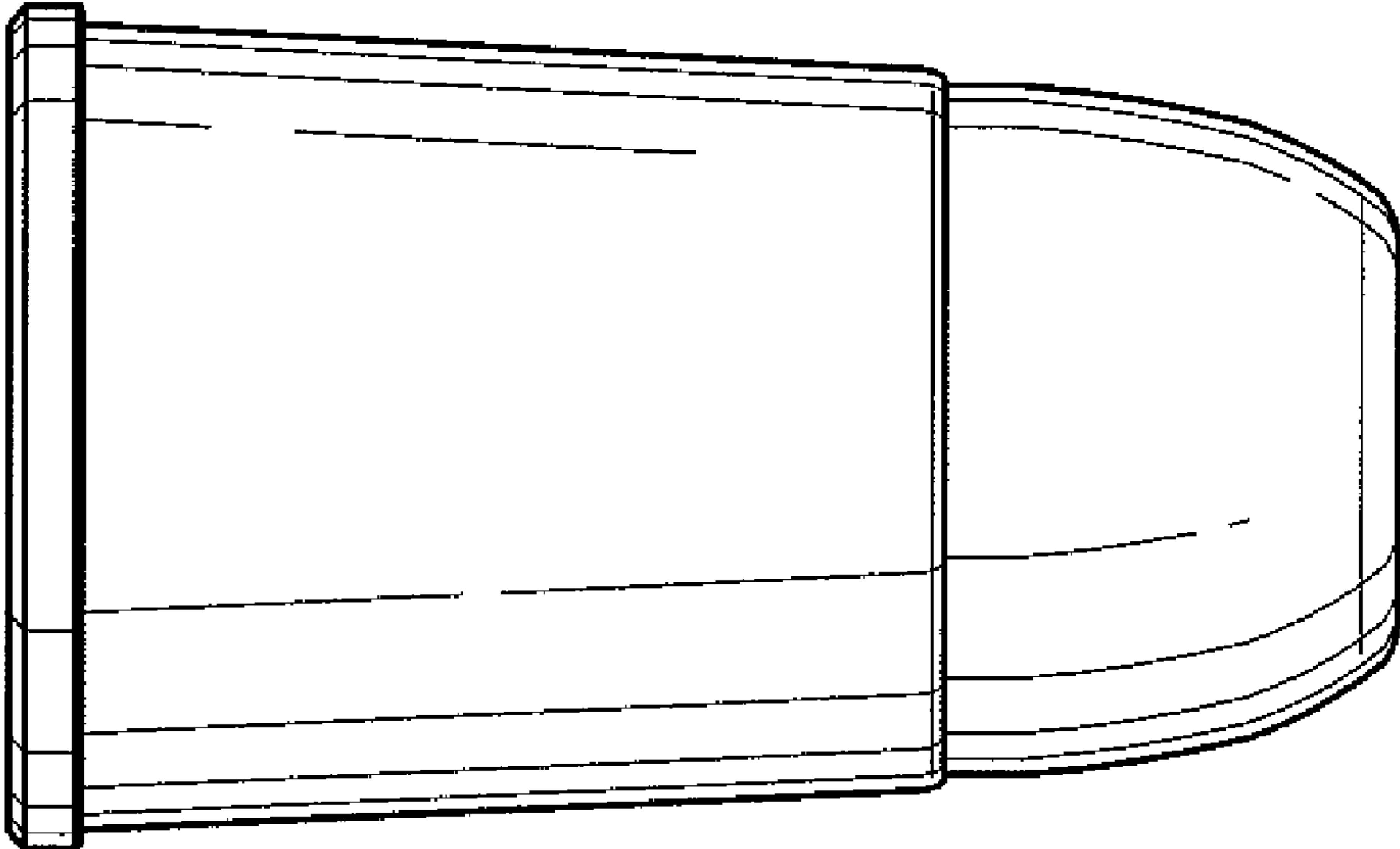




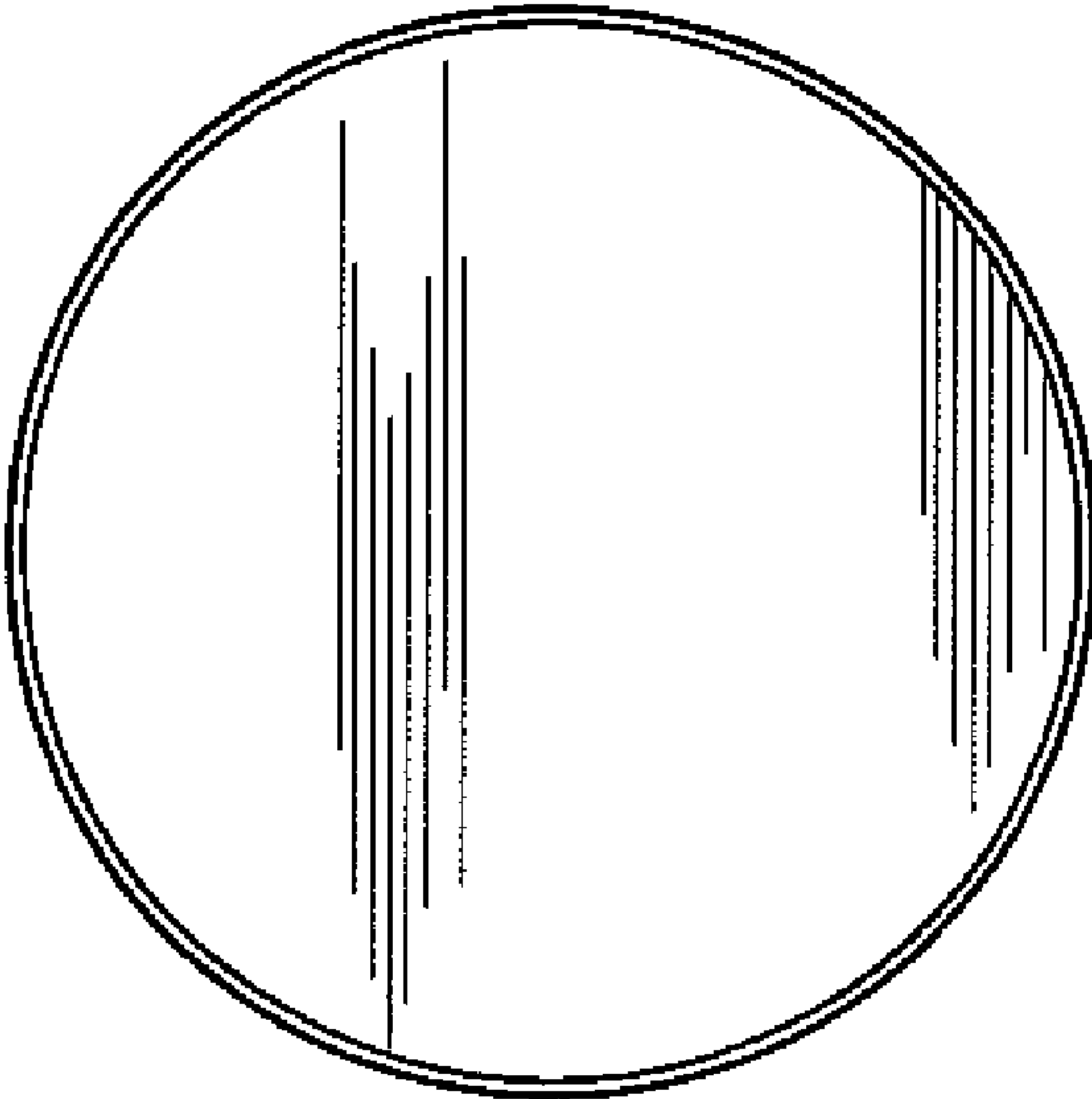
**FIG - 1**



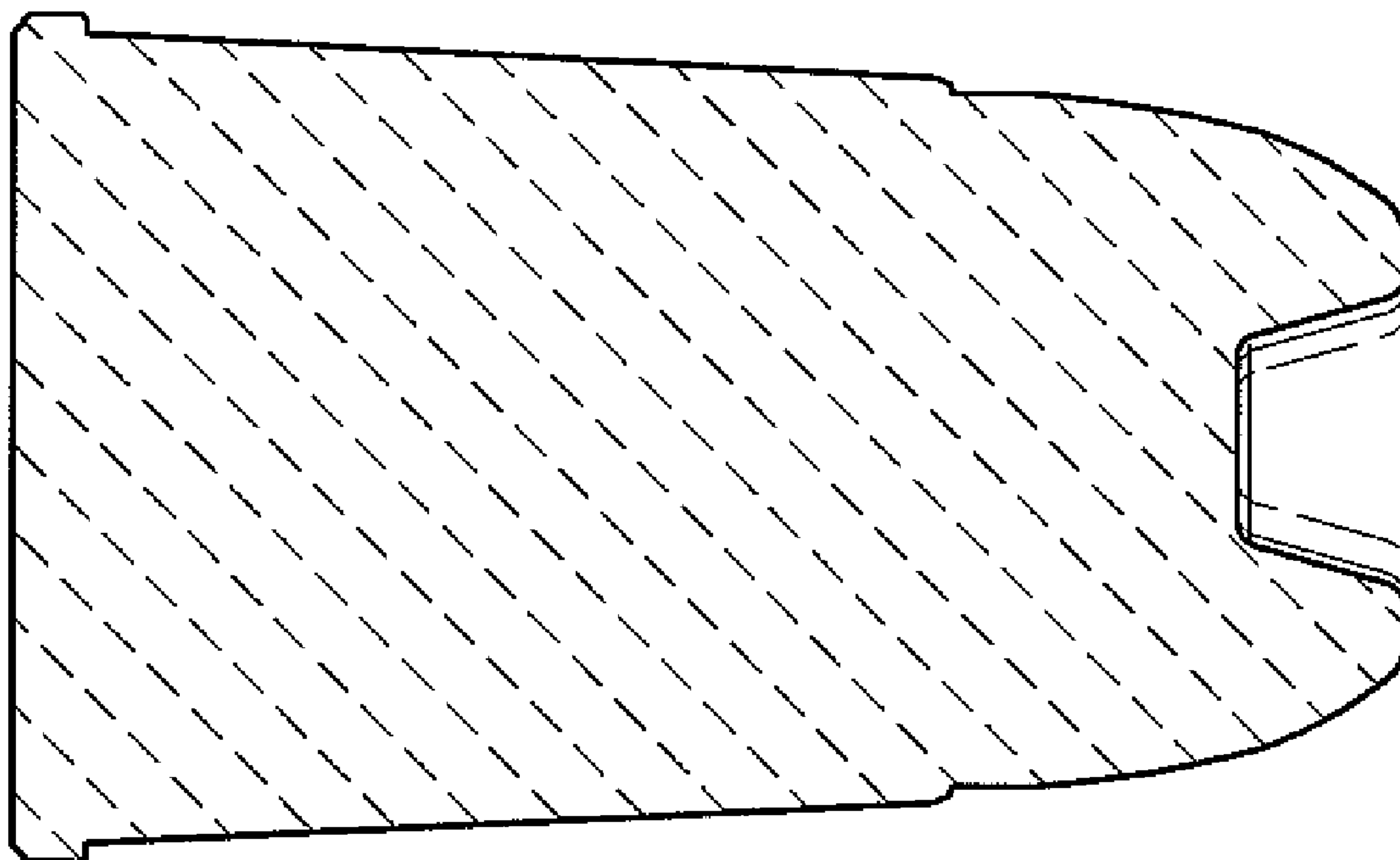
**FIG - 2**



**FIG - 3**



**FIG - 4**



**FIG - 5**