



US00D595836S

(12) **United States Design Patent**  
**Ediger et al.**

(10) **Patent No.:** **US D595,836 S**

(45) **Date of Patent:** **\*\* Jul. 7, 2009**

(54) **AIR CIRCULATOR**

(76) Inventors: **Glen W. Ediger**, 14 Regal Crescent,  
North Newton, KS (US) 67117; **Gary P. Israel**, 1720 Aspen Creek Dr., Andover,  
KS (US) 67002

(\*\*) Term: **14 Years**

(21) Appl. No.: **29/324,165**

(22) Filed: **Sep. 8, 2008**

(51) **LOC (9) Cl.** ..... **23-04**

(52) **U.S. Cl.** ..... **D23/411**

(58) **Field of Classification Search** ..... D23/382,  
D23/381, 332, 370, 411, 412; 416/246 R,  
416/247 R, 244 R

See application file for complete search history.

(56) **References Cited**

**U.S. PATENT DOCUMENTS**

D546,436 S	*	7/2007	Chen	.....	D23/382
D564,084 S	*	3/2008	Chen	.....	D23/382
D566,260 S	*	4/2008	Chen	.....	D23/382

\* cited by examiner

*Primary Examiner*—Lisa P Lichtenstein

(74) *Attorney, Agent, or Firm*—David H. Milligan; Sean P. Connolly; Husch Blackwell Sanders LLP

(57) **CLAIM**

The ornamental design for an air circulator, as shown and described.

**DESCRIPTION**

FIG. 1 is a perspective view of the air circulator;

FIG. 2 is a front elevation view of the air circulator of FIG. 1;

FIG. 3 is a top elevation view of the air circulator of FIG. 1;

FIG. 4 is a bottom elevation view of the air circulator of FIG. 1;

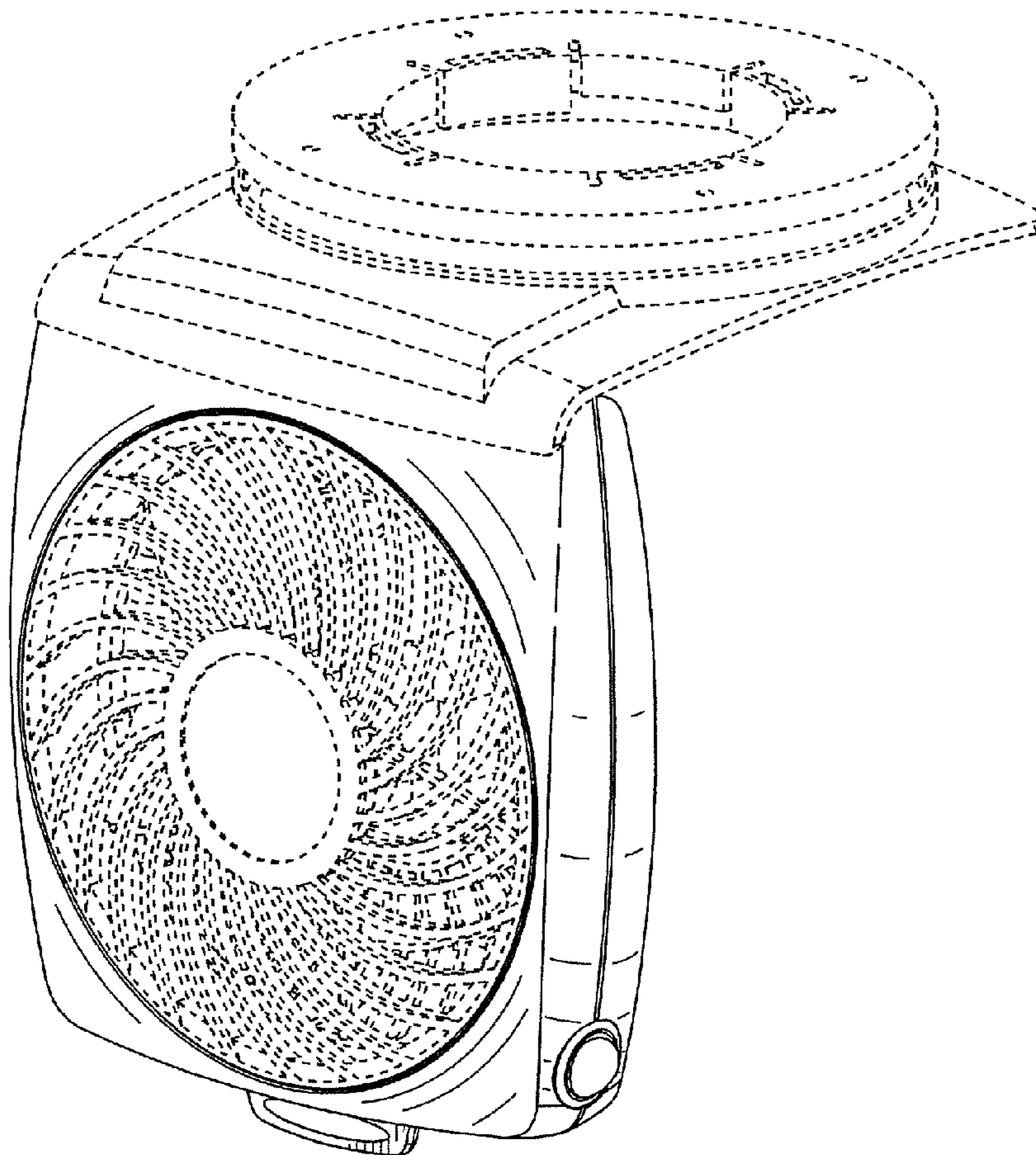
FIG. 5 is a left elevation view of the air circulator of FIG. 1;

FIG. 6 is a right elevation view of the air circulator of FIG. 1; and,

FIG. 7 is a rear plan view of the air circulator of FIG. 1.

The broken line showing of portions of an air circulator is included for the purpose of illustrating environmental structure and forms no part of the claimed design.

**1 Claim, 7 Drawing Sheets**



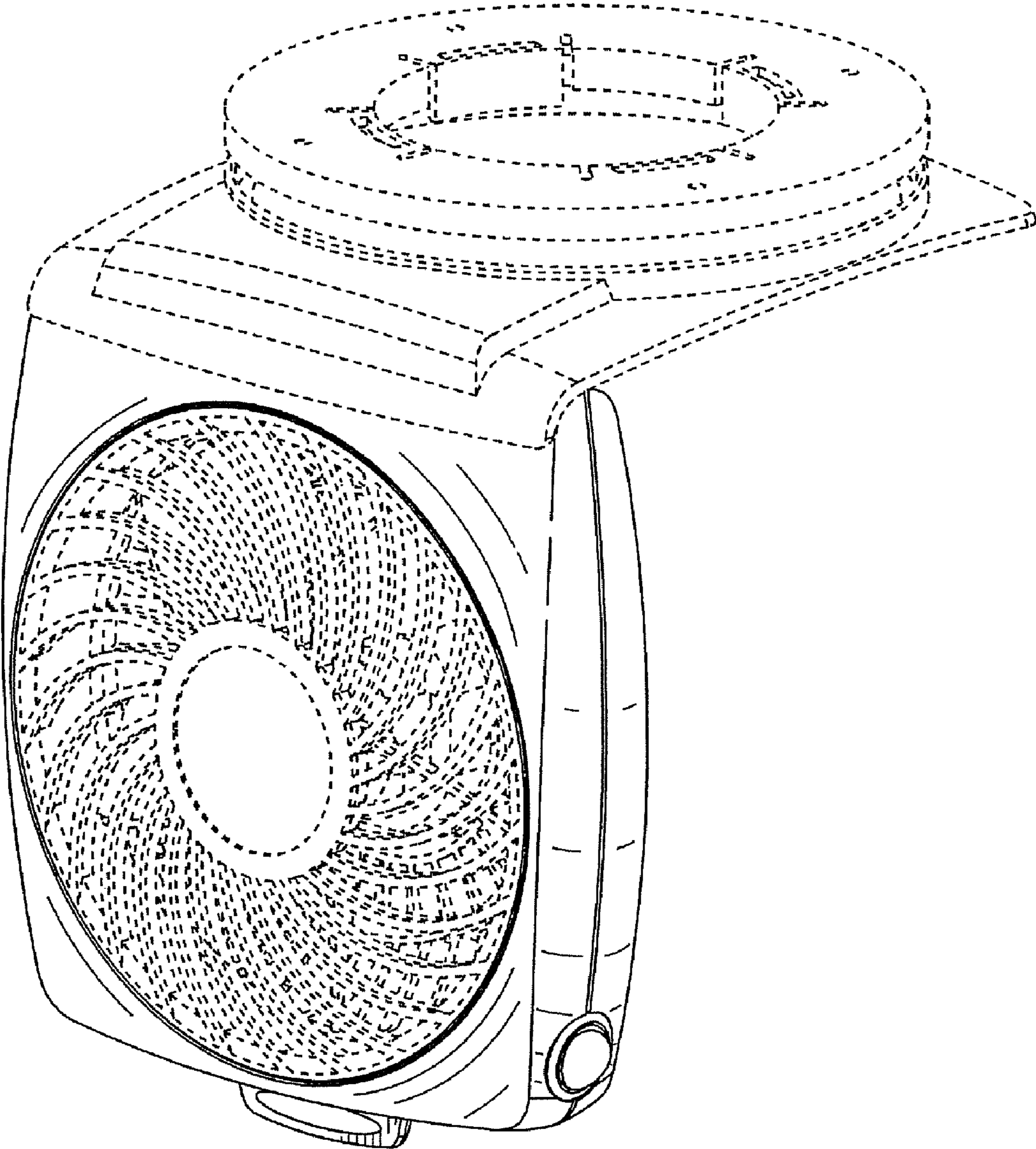


FIG. 1

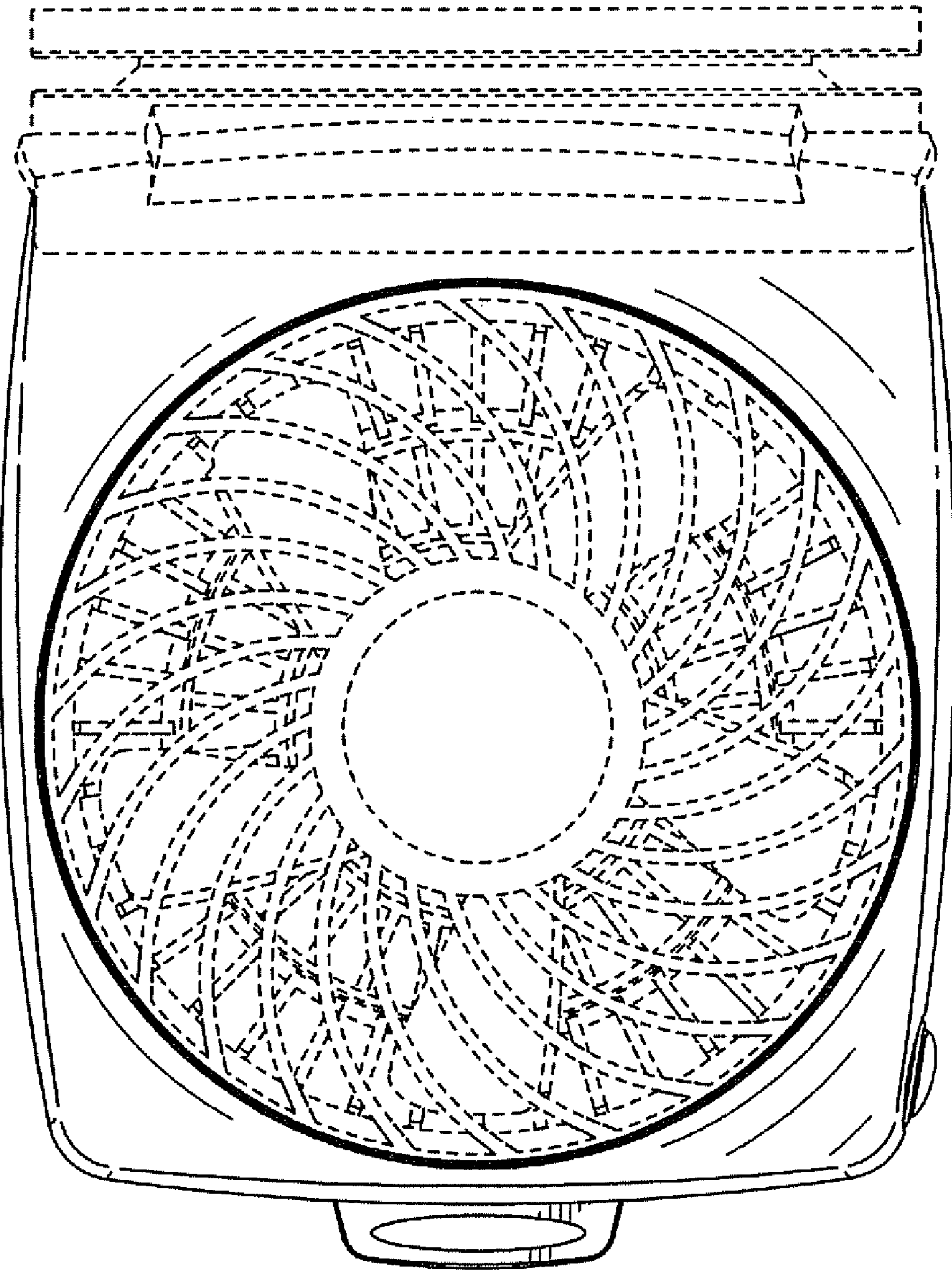


FIG. 2



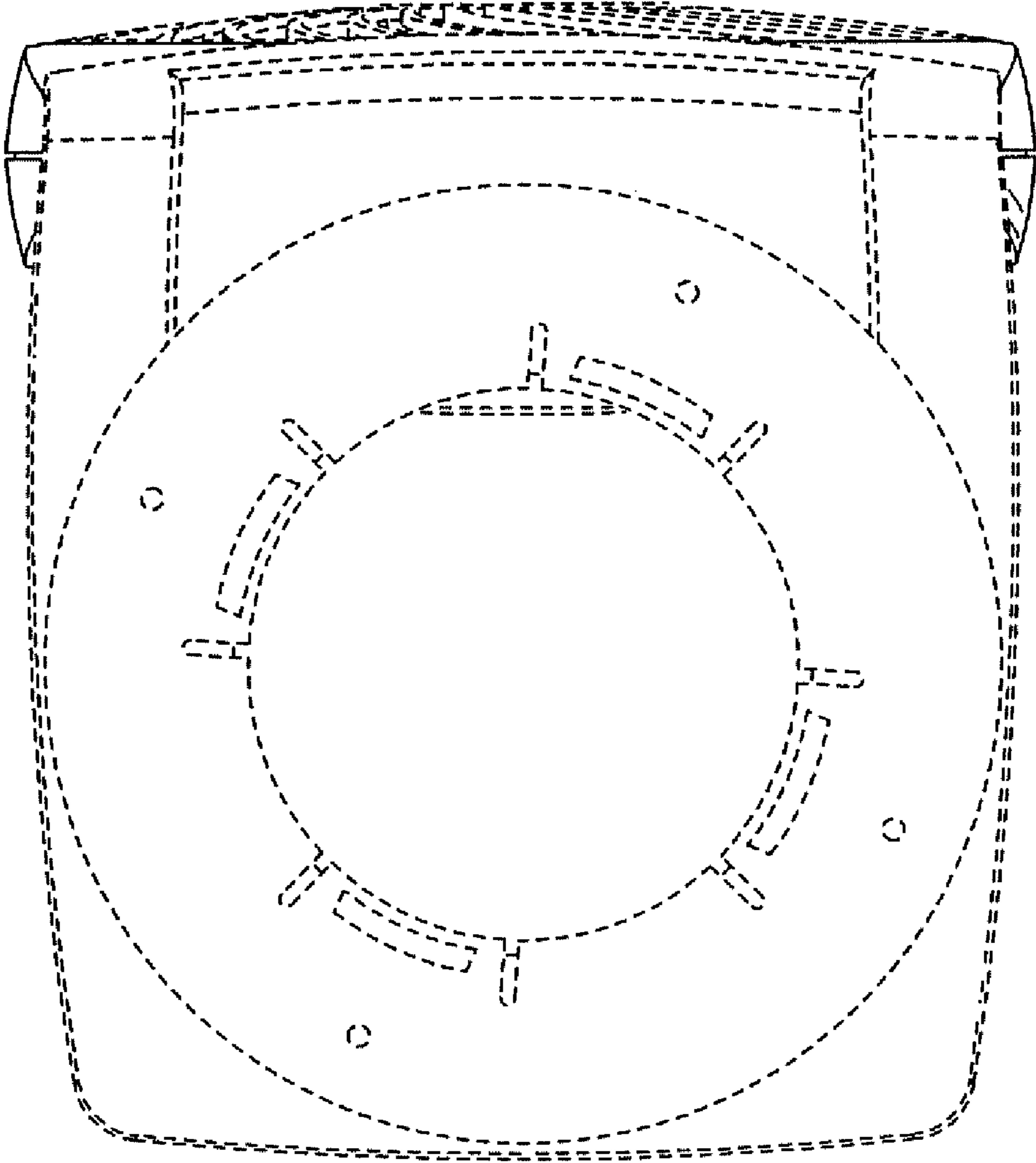


FIG. 3

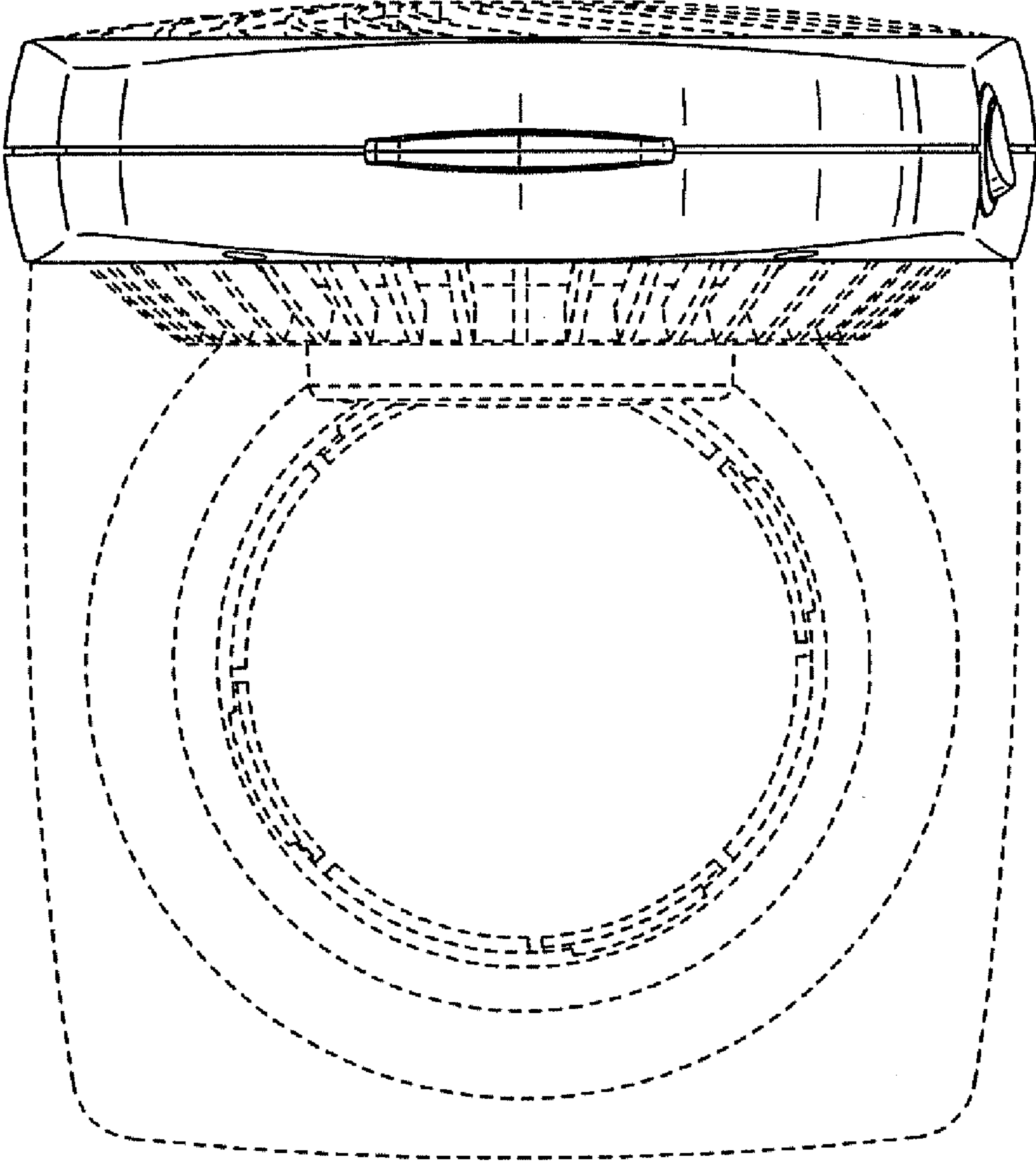


FIG. 4

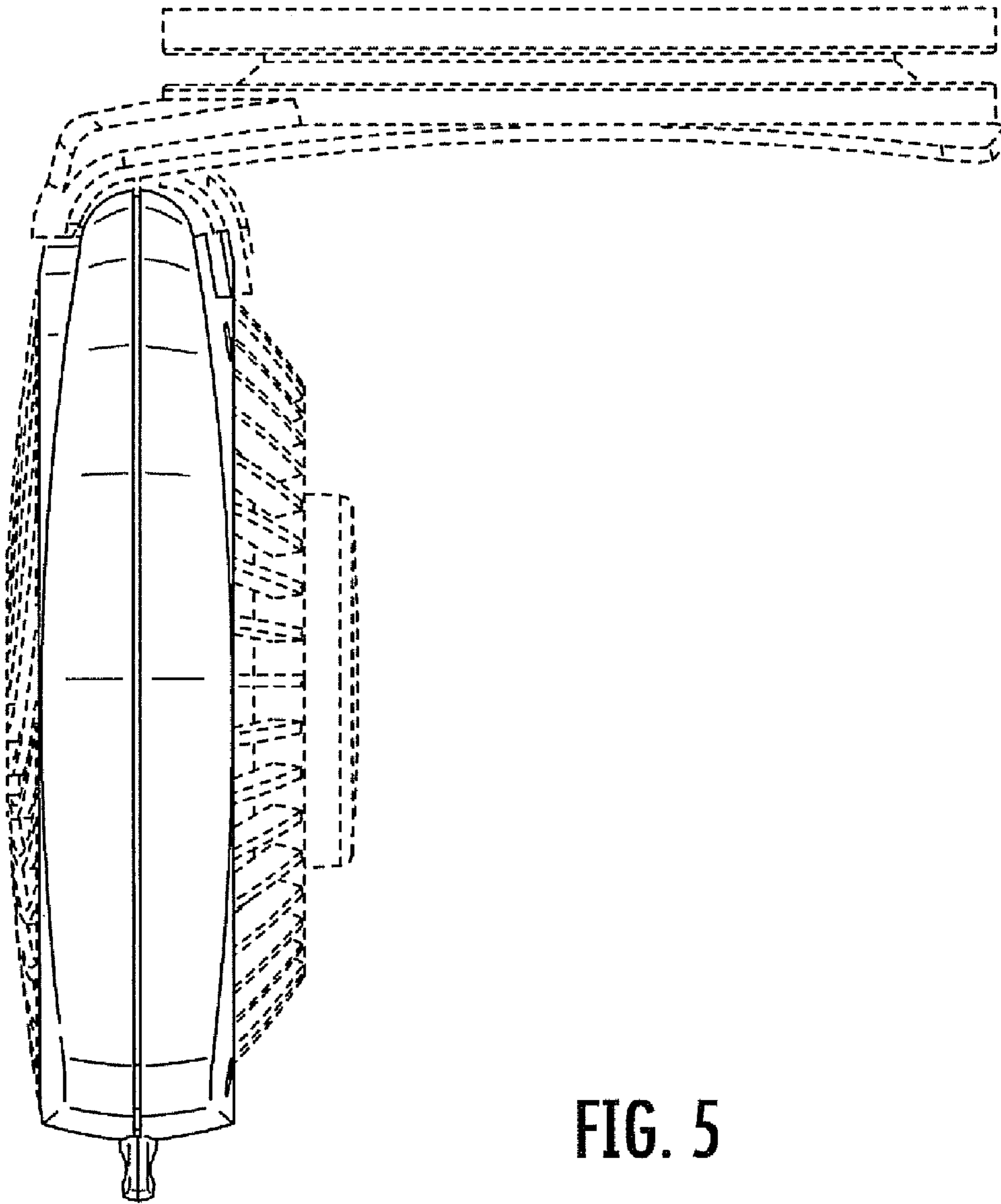


FIG. 5

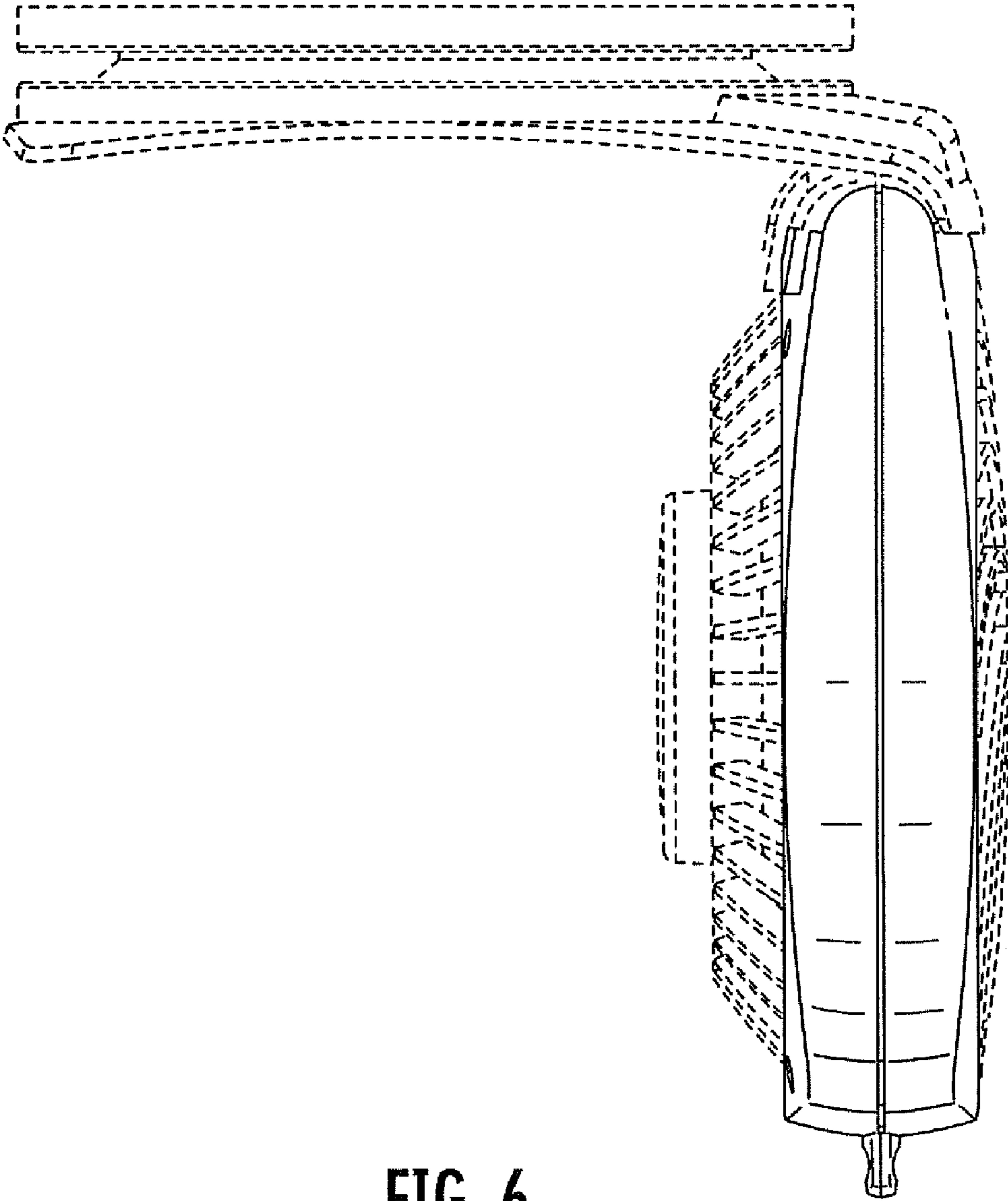


FIG. 6

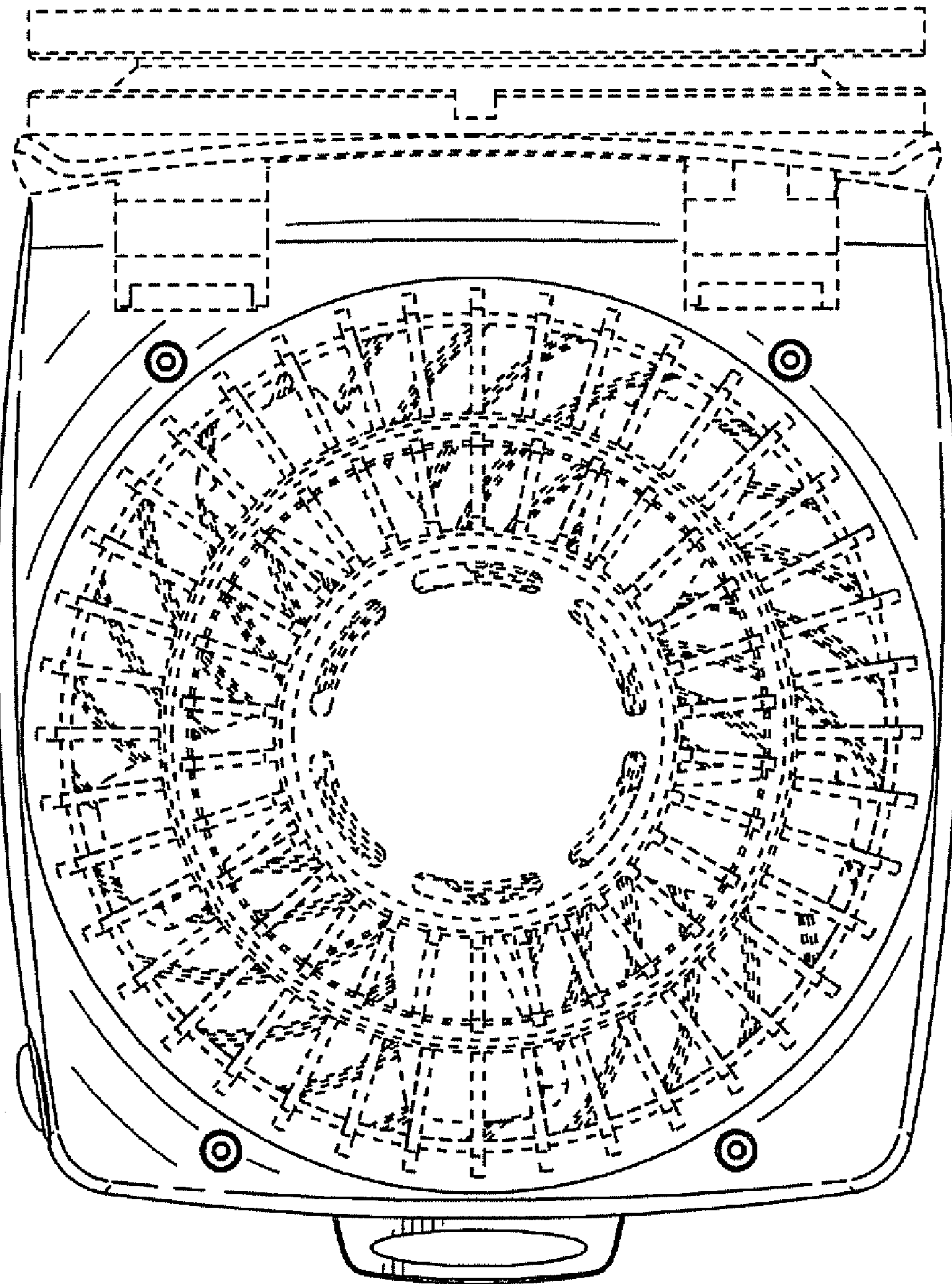


FIG. 7