



US00D595835S

(12) **United States Design Patent**
Fu

(10) **Patent No.:** **US D595,835 S**
(45) **Date of Patent:** **** Jul. 7, 2009**

(54) **TUBE RING FOR A FAN**

(75) **Inventor:** **Chiao Fu, Tamtzu Hsiang (TW)**

(73) **Assignee:** **King Jih Enterprise Corp., Taichung County (TW)**

(**) **Term:** **14 Years**

(21) **Appl. No.:** **29/322,273**

(22) **Filed:** **Jul. 31, 2008**

(51) **LOC (9) Cl.** **23-04**

(52) **U.S. Cl.** **D23/411**

(58) **Field of Classification Search** D23/382,
D23/381, 332, 370, 411, 412; 416/246 R,
416/247 R, 244 R

See application file for complete search history.

(56) **References Cited**

U.S. PATENT DOCUMENTS

D423,663 S * 4/2000 Rossman et al. D23/411

D566,830 S * 4/2008 Lewis D23/411

* cited by examiner

Primary Examiner—Lisa P Lichtenstein

(74) *Attorney, Agent, or Firm*—Egbert Law Offices PLLC

(57) **CLAIM**

The ornamental design for a tube ring for a fan, as shown and described.

DESCRIPTION

FIG. 1 is an upper perspective view of the tube ring for a fan showing my design.

FIG. 2 is a front view thereof;

FIG. 3 is a back view thereof;

FIG. 4 is a side view thereof;

FIG. 5 is an opposite side view thereof;

FIG. 6 is top view thereof;

FIG. 7 is a bottom view thereof; and

FIG. 8 is an enlarged partial perspective view thereof.

FIG. 9 is an exploded perspective view thereof showing the tube ring for a fan in use;

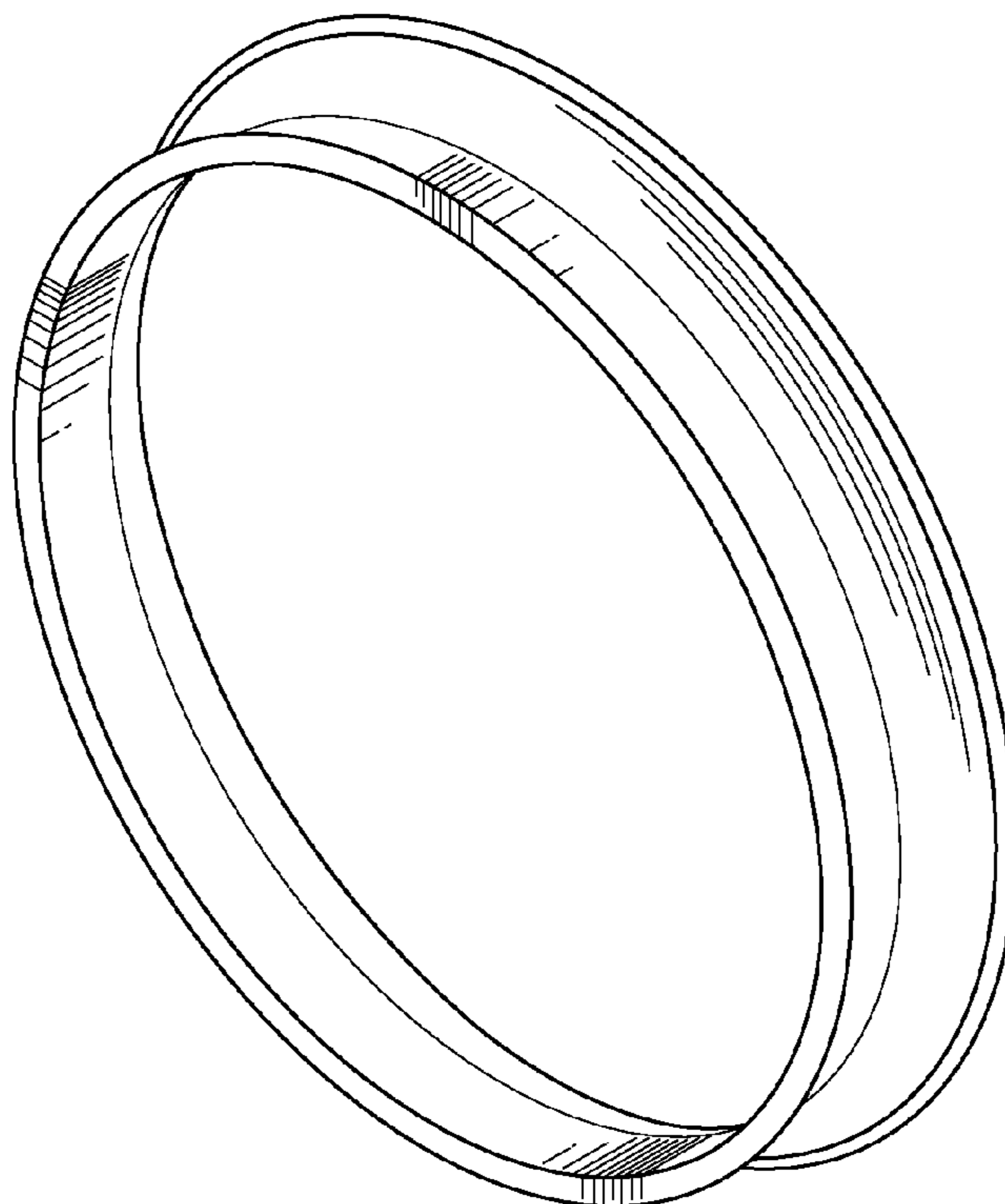
FIG. 10 is an upper perspective view thereof showing the tube ring for a fan in use; and,

FIG. 11 is an upper perspective view thereof showing the tube ring for a fan in use.

The tube ring for a fan is a part of a fan, wherein the blades of the fan are mounted within the tube ring.

The broken line showing of portions of a fan is included for the purpose of illustrating environmental structure and forms no part of the claimed design.

1 Claim, 8 Drawing Sheets



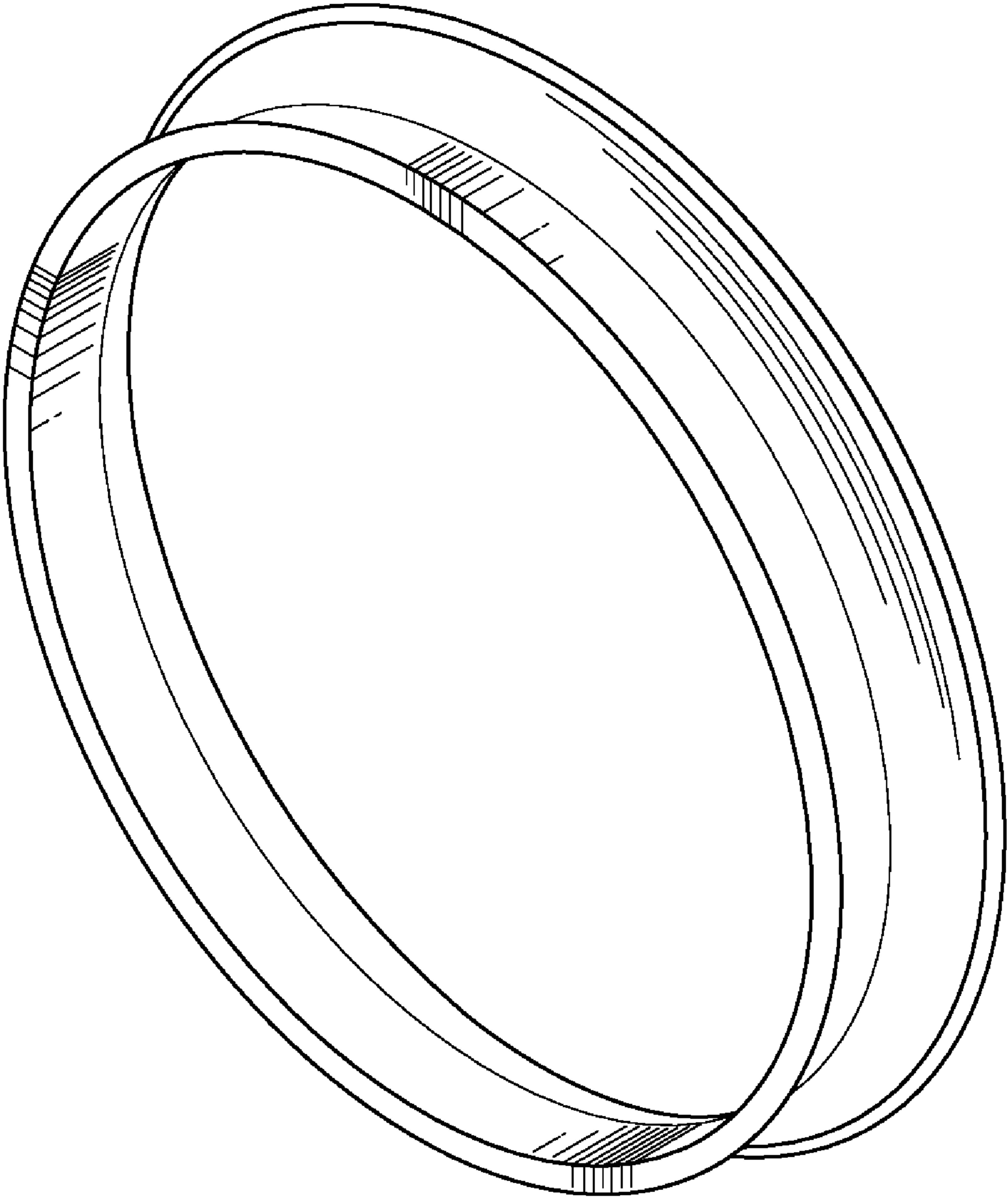


FIG.1

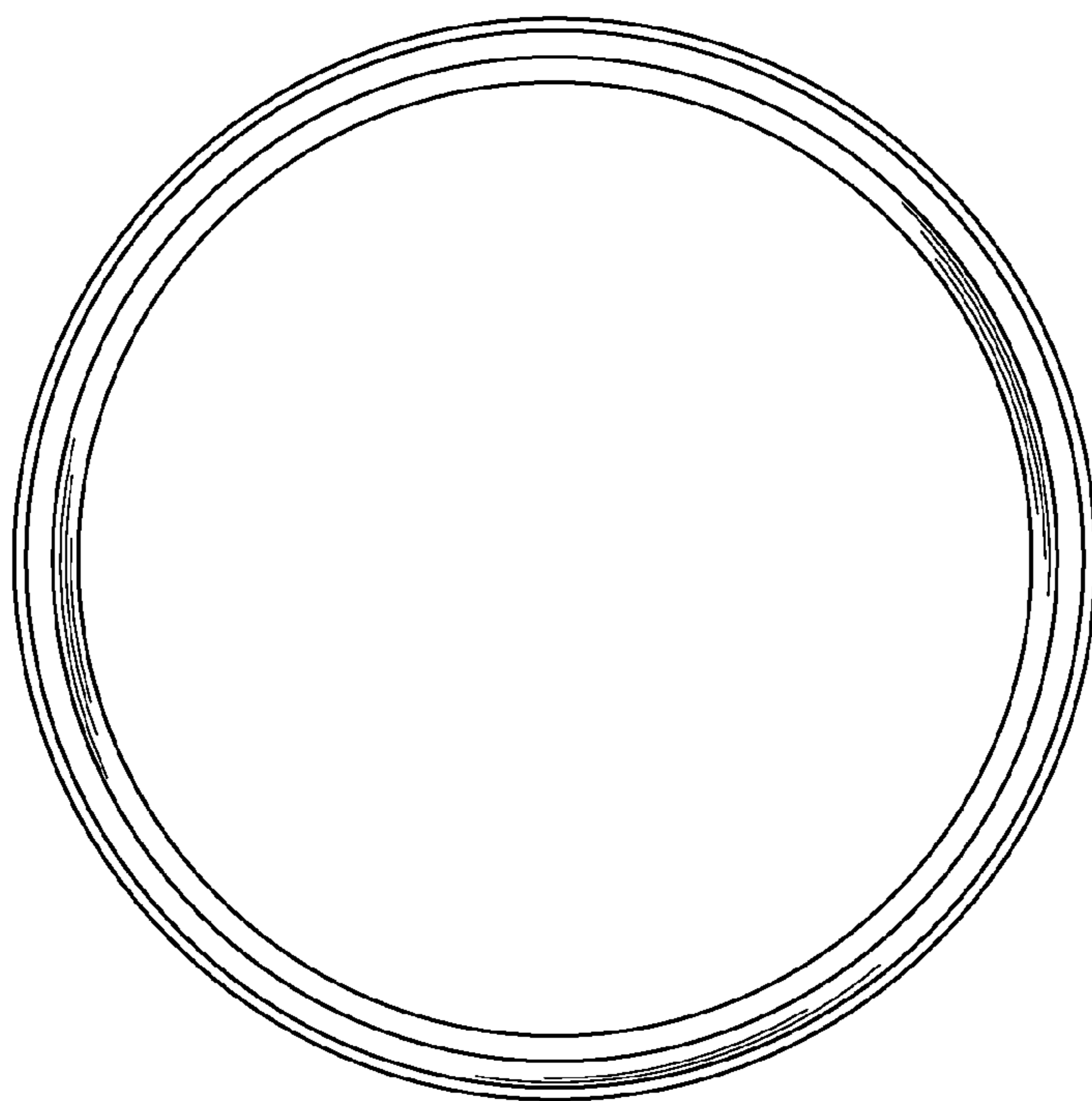


FIG. 2

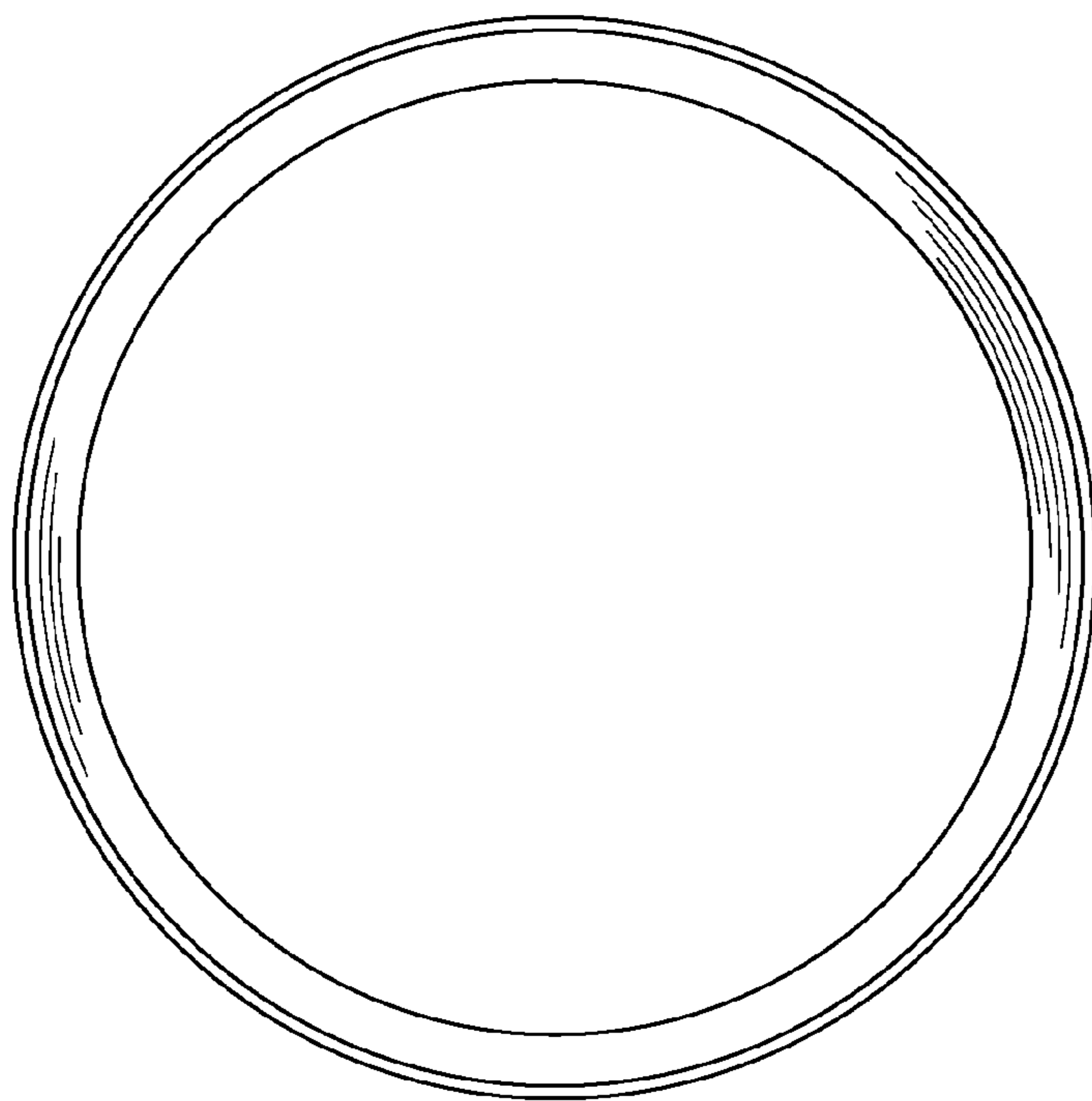


FIG. 3

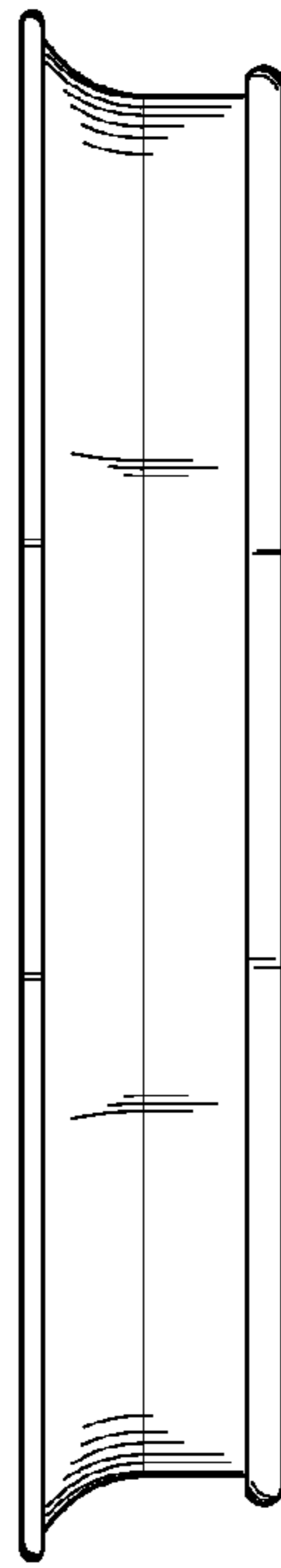


FIG. 4

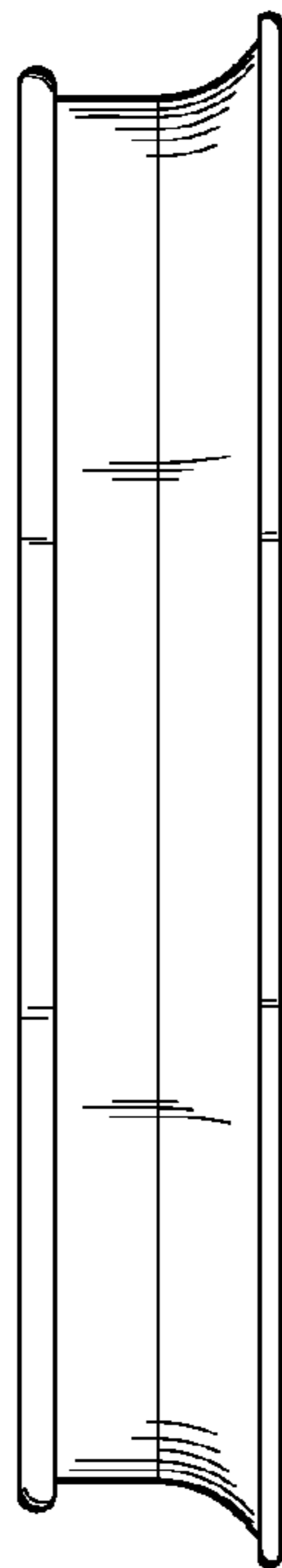


FIG. 5

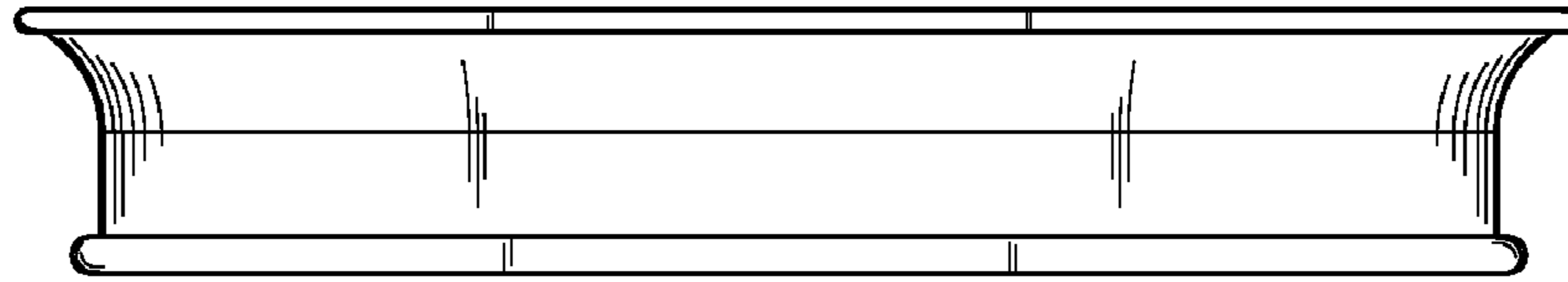


FIG. 6

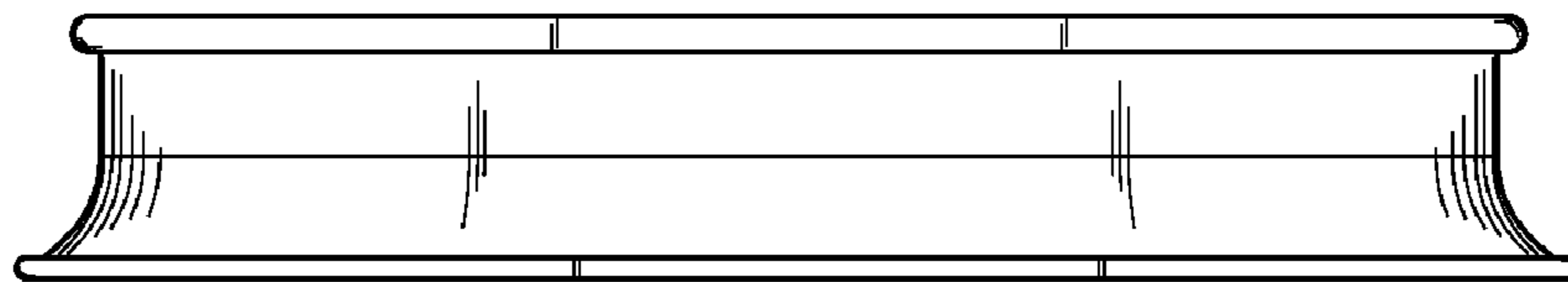


FIG. 7

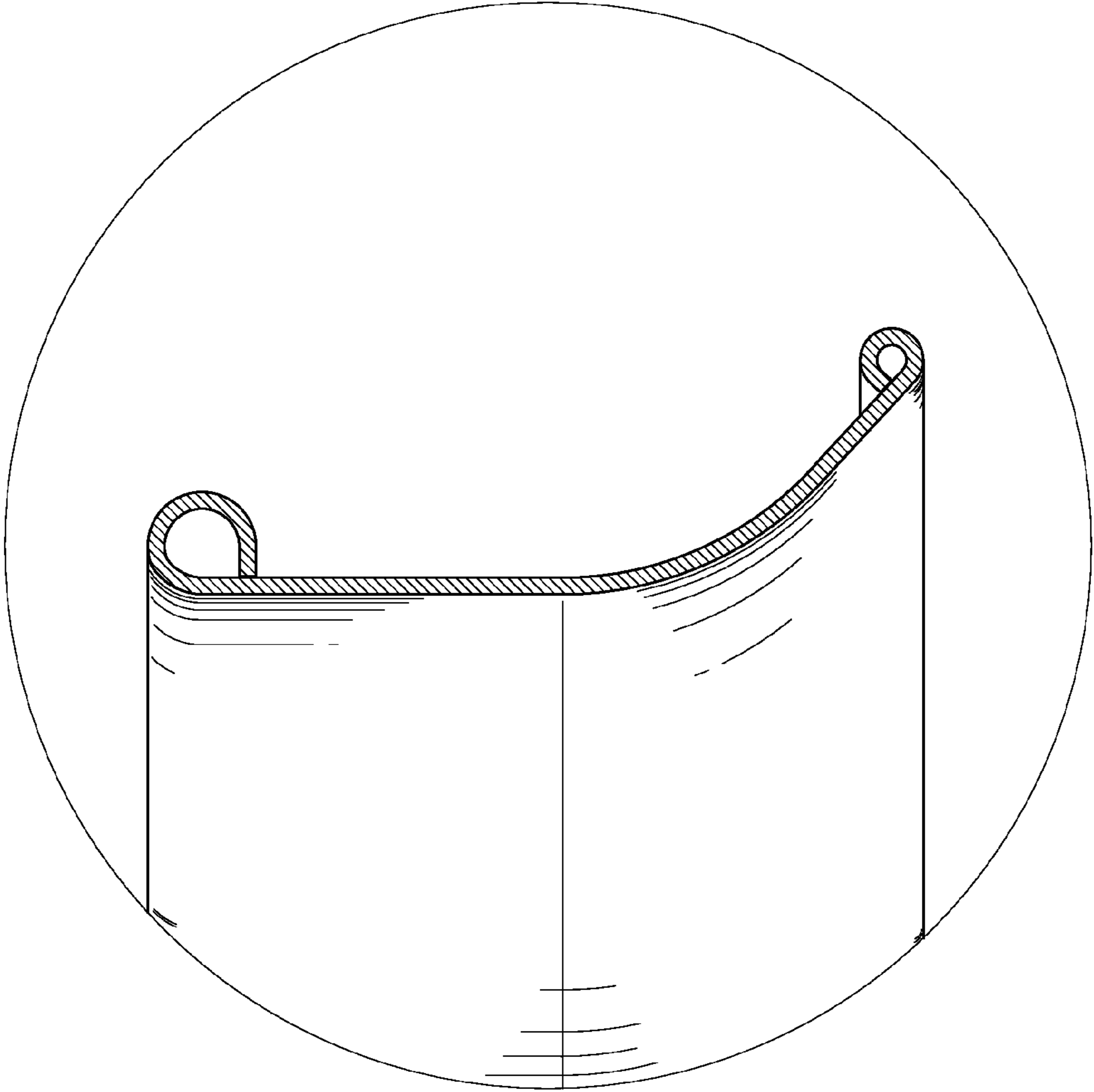


FIG.8

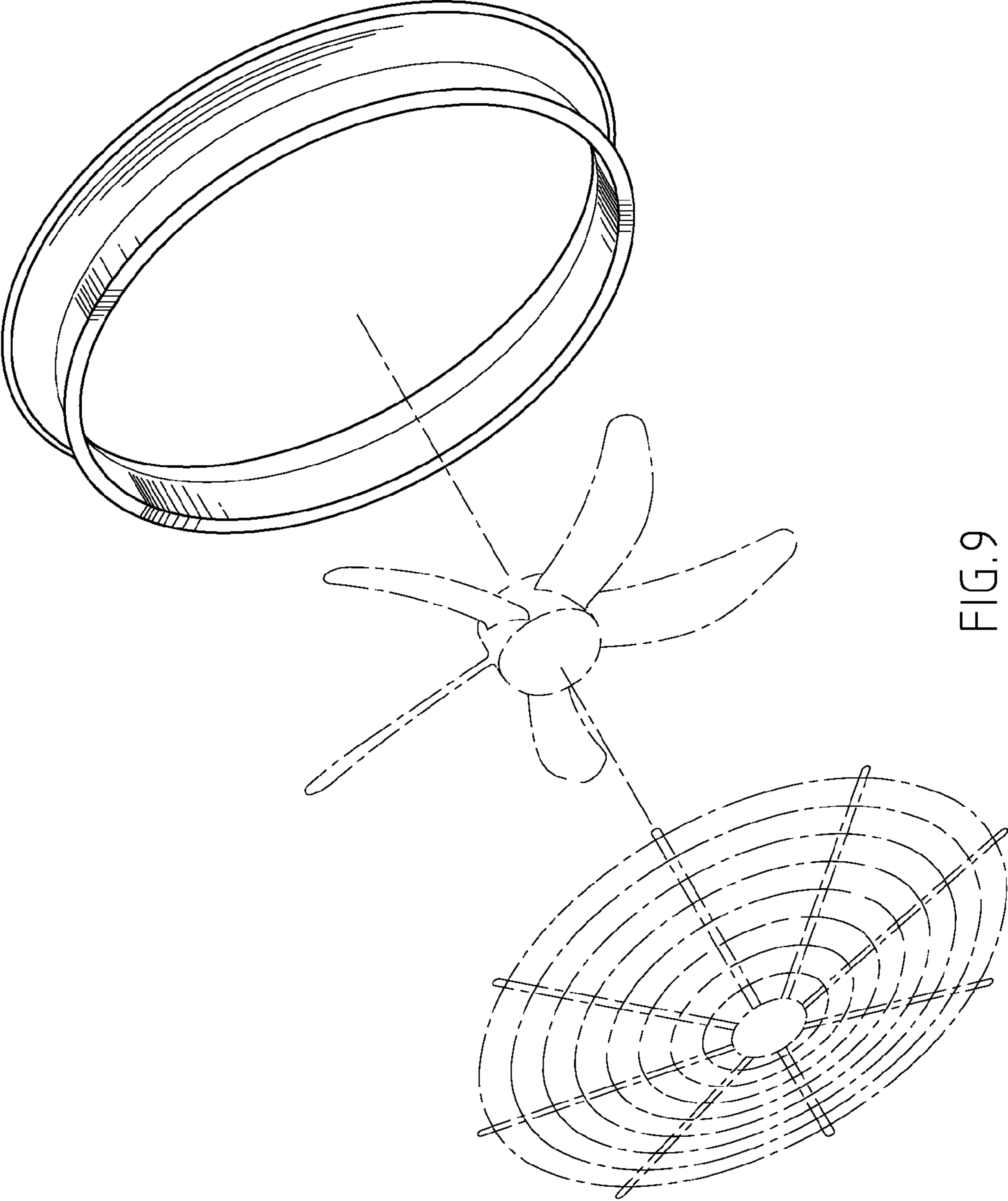


FIG.9

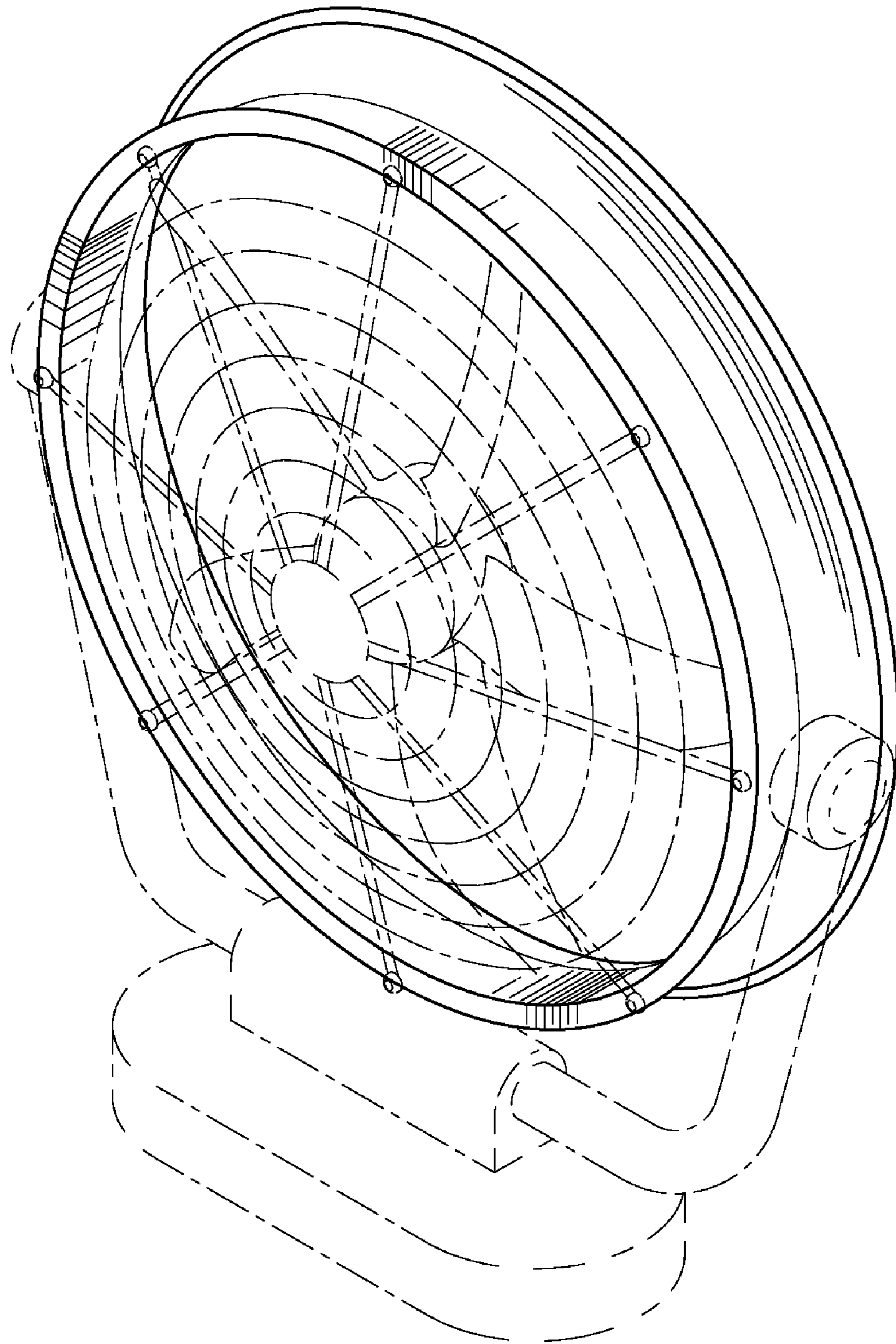


FIG. 10

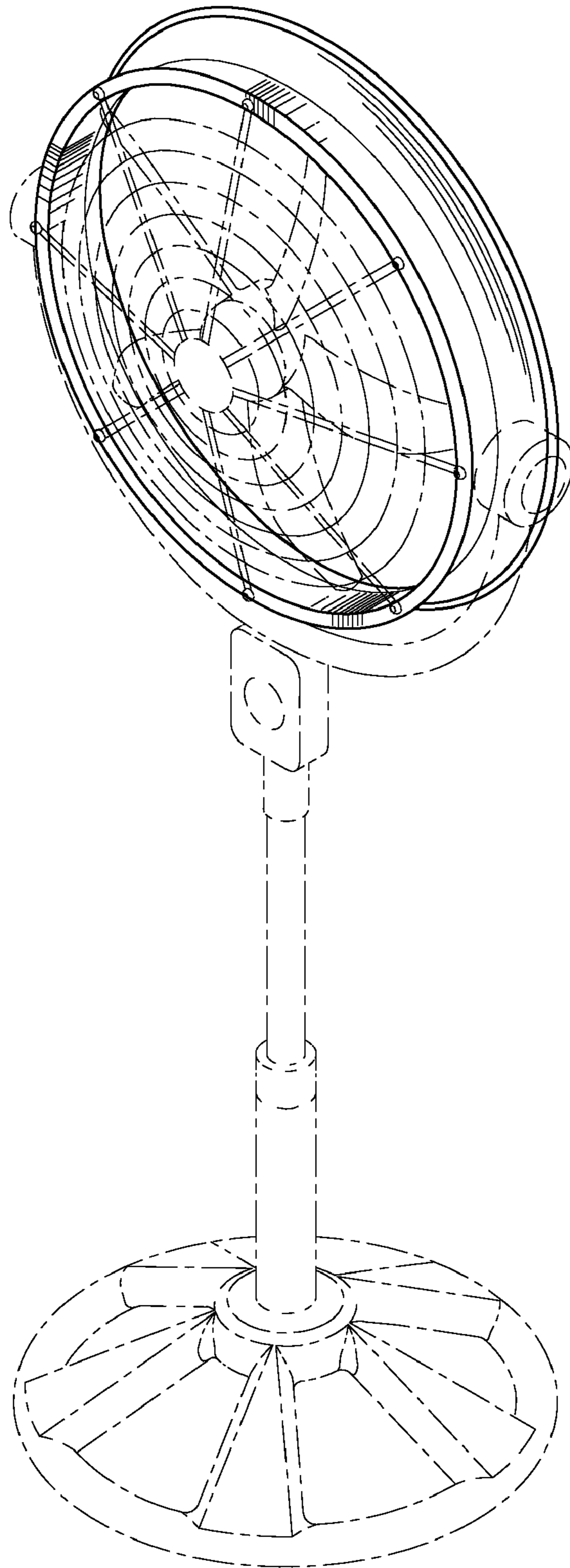


FIG.11