



US00D595834S

(12) **United States Design Patent**
Frampton

(10) **Patent No.:** **US D595,834 S**

(45) **Date of Patent:** **** Jul. 7, 2009**

(54) **FAN ASSEMBLY**

D517,200 S * 3/2006 Frampton D23/413
D517,201 S * 3/2006 Gajewski D23/413

(75) Inventor: **Thomas C. Frampton**, Zionsville, IN (US)

* cited by examiner

(73) Assignee: **Fanimation, Inc.**, Zionsville, IN (US)

Primary Examiner—Lisa P Lichtenstein

(74) *Attorney, Agent, or Firm*—Maginot, Moore & Beck

(**) Term: **14 Years**

(57) **CLAIM**

(21) Appl. No.: **29/294,053**

The ornamental design for a fan assembly, as shown and described.

(22) Filed: **Dec. 20, 2007**

(51) **LOC (9) Cl.** **23-04**

(52) **U.S. Cl.** **D23/411**

(58) **Field of Classification Search** D23/377,
D23/379, 385, 411, 413; 416/5

DESCRIPTION

See application file for complete search history.

FIG. 1 is top perspective view of a fan assembly showing my new design;

FIG. 2 is a front elevational view showing the design for the fan assembly of FIG. 1;

FIG. 3 is a rear elevational view showing the design for the fan assembly of FIG. 1;

FIG. 4 is a left side elevational view showing the design for the fan assembly of FIG. 1;

FIG. 5 is a right side elevational view showing the design for the fan assembly of FIG. 1;

FIG. 6 is a bottom plan view showing the design for the fan assembly of FIG. 1; and,

FIG. 7 is a top plan view showing the design for the fan assembly of FIG. 1.

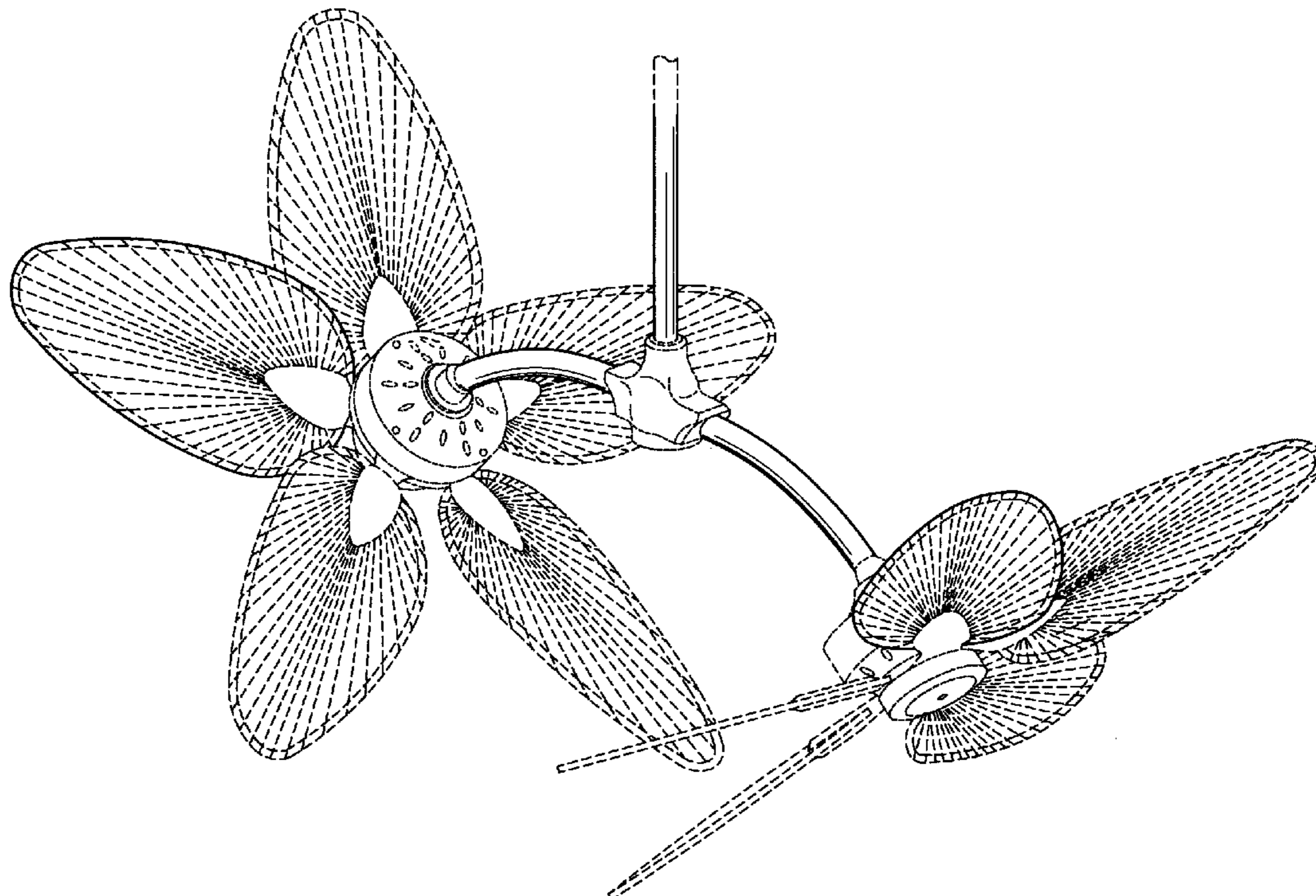
The broken line showing of portions of the fan assembly is included for the purpose of illustrating environmental structure and forms no part of the claimed design.

(56) **References Cited**

U.S. PATENT DOCUMENTS

1,334,781 A	3/1920	Morse	
D313,467 S	1/1991	Frampton	
D451,997 S	12/2001	Schwartz	
D456,073 S	4/2002	Frampton	
D460,817 S	7/2002	Frampton	
D461,888 S	8/2002	Frampton	
D477,662 S	7/2003	Liou	
D478,975 S	8/2003	Gajewski	
D505,198 S *	5/2005	Liu D23/413
6,913,443 B2 *	7/2005	Chen 416/99

1 Claim, 7 Drawing Sheets



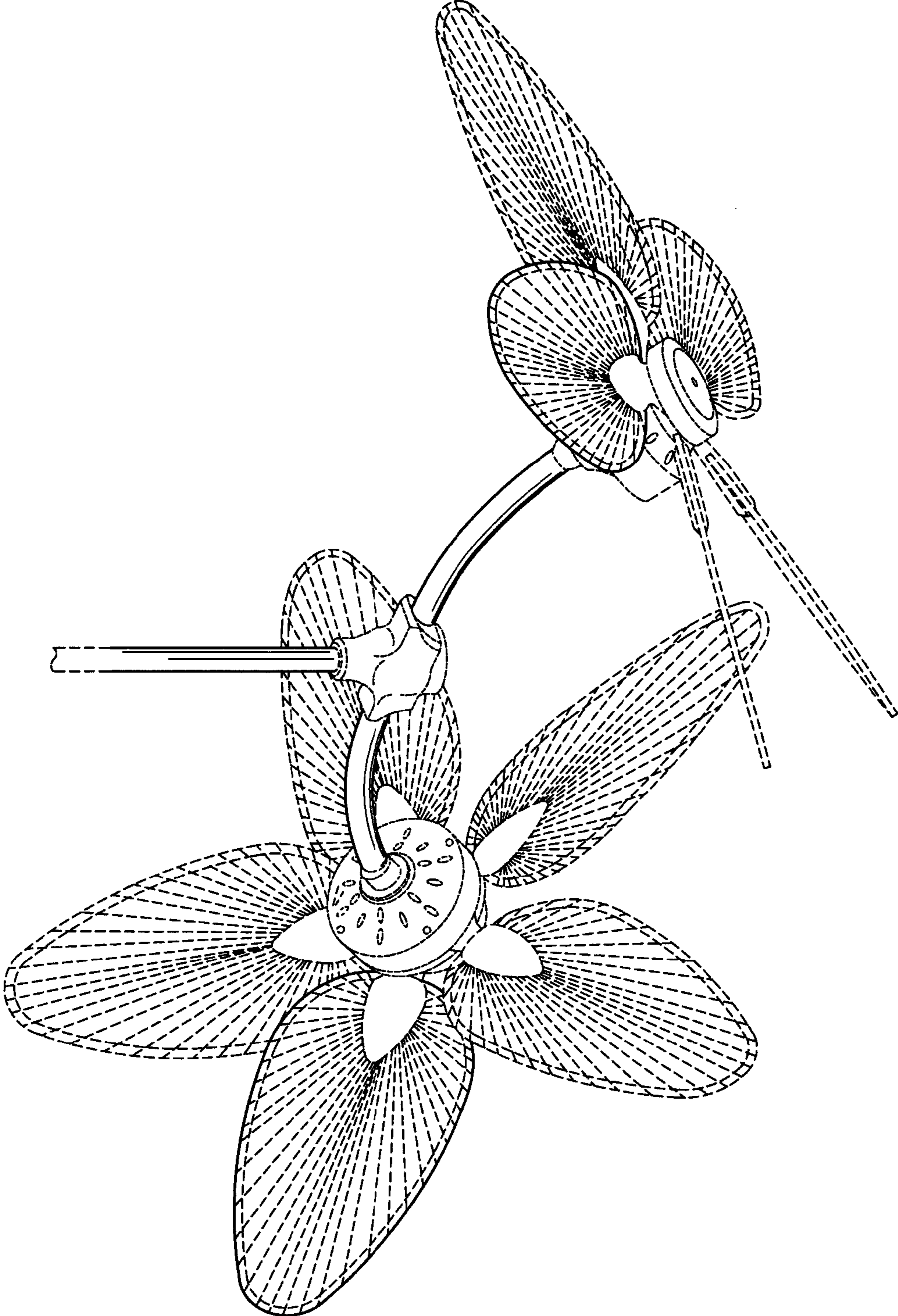


Fig. 1

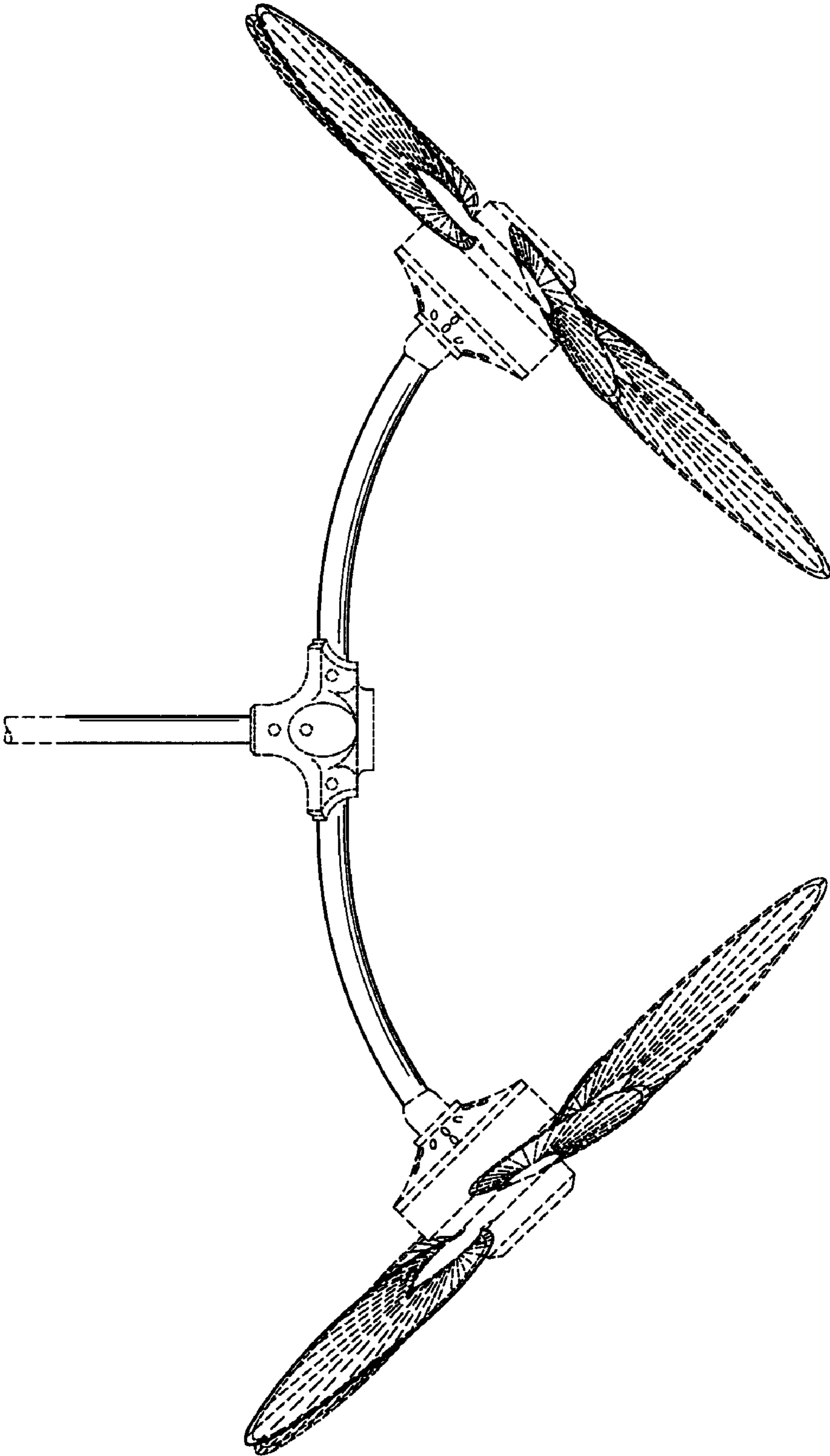


Fig. 2

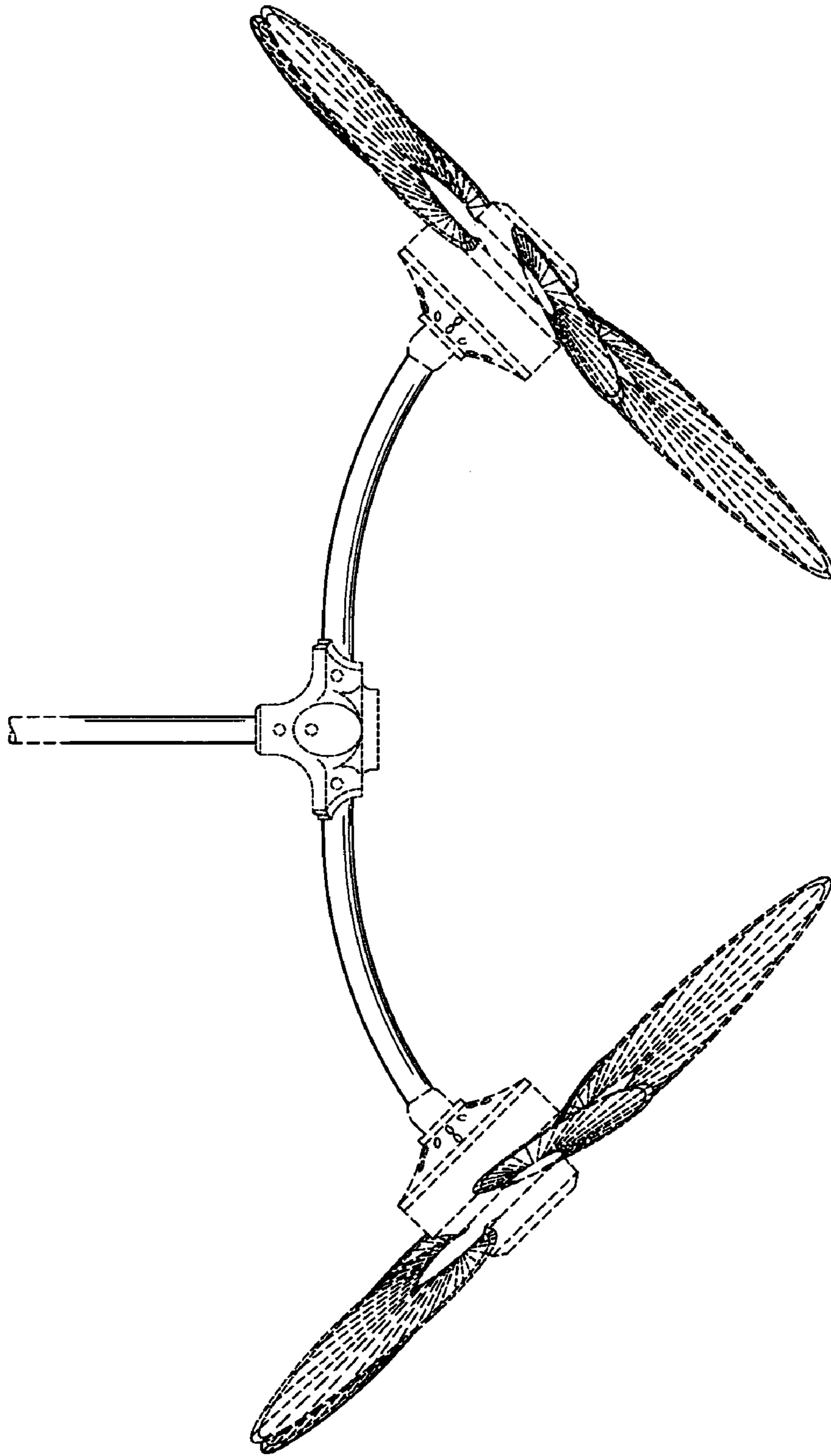


Fig. 3

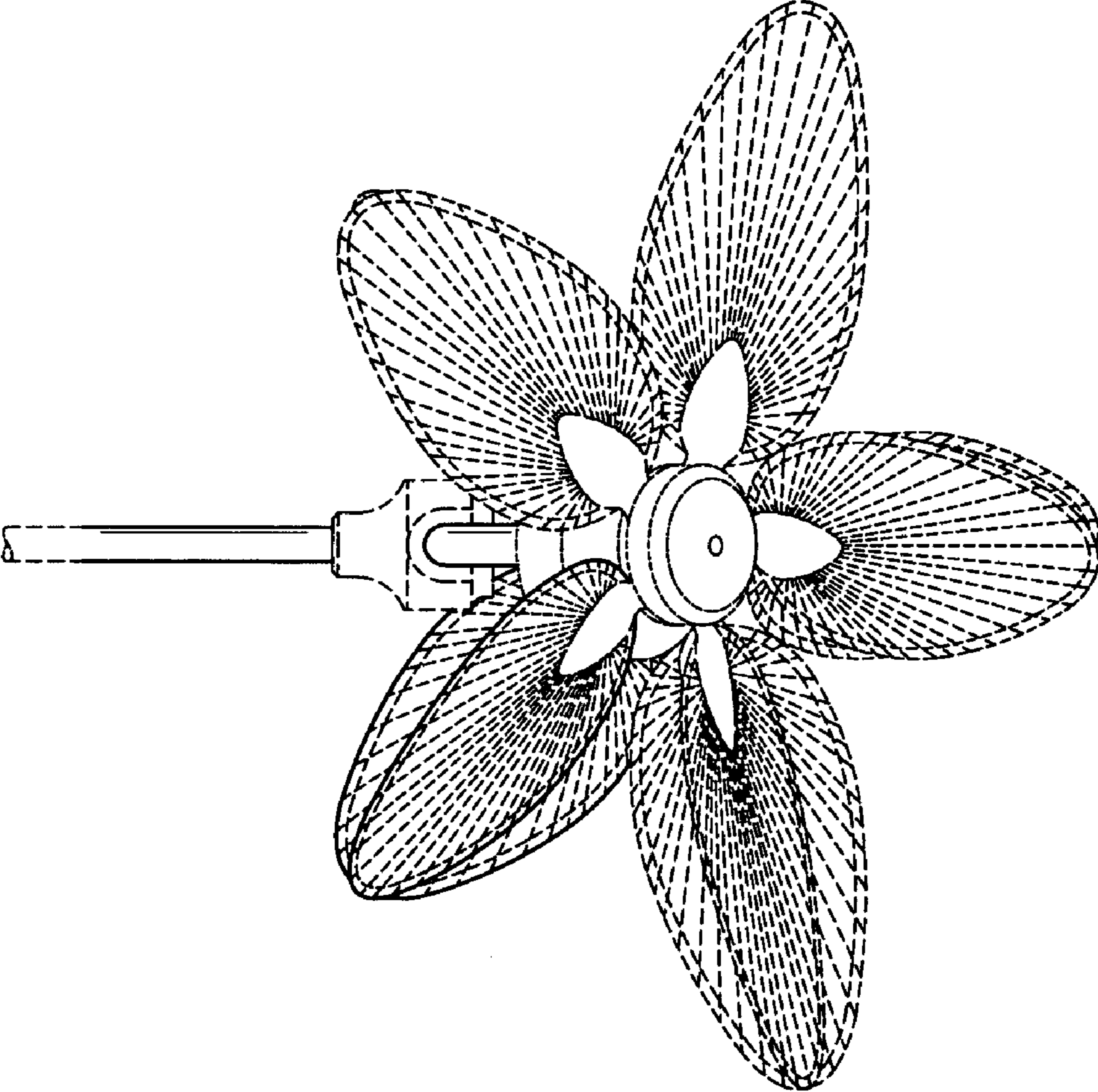


Fig. 4

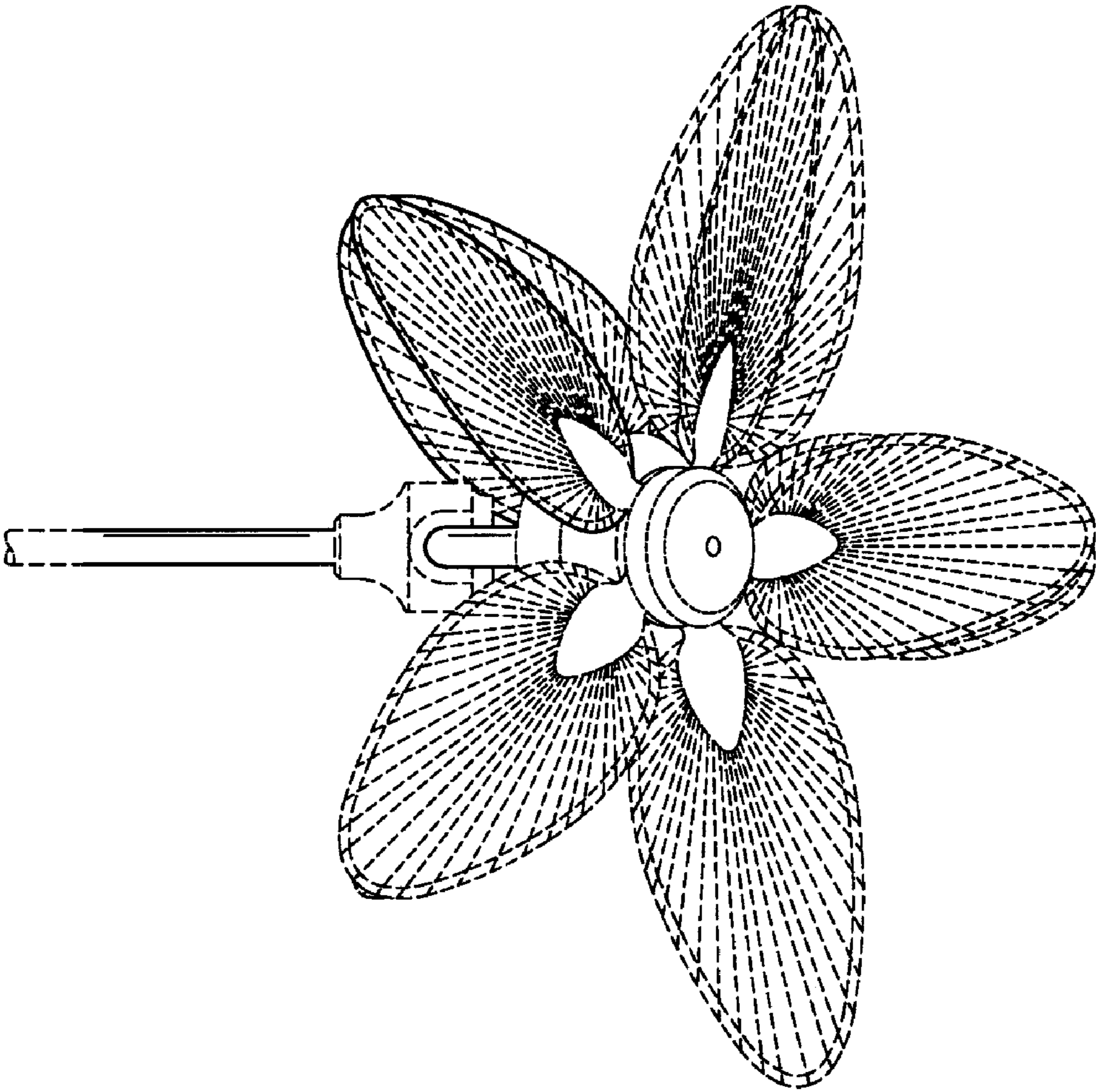


Fig. 5

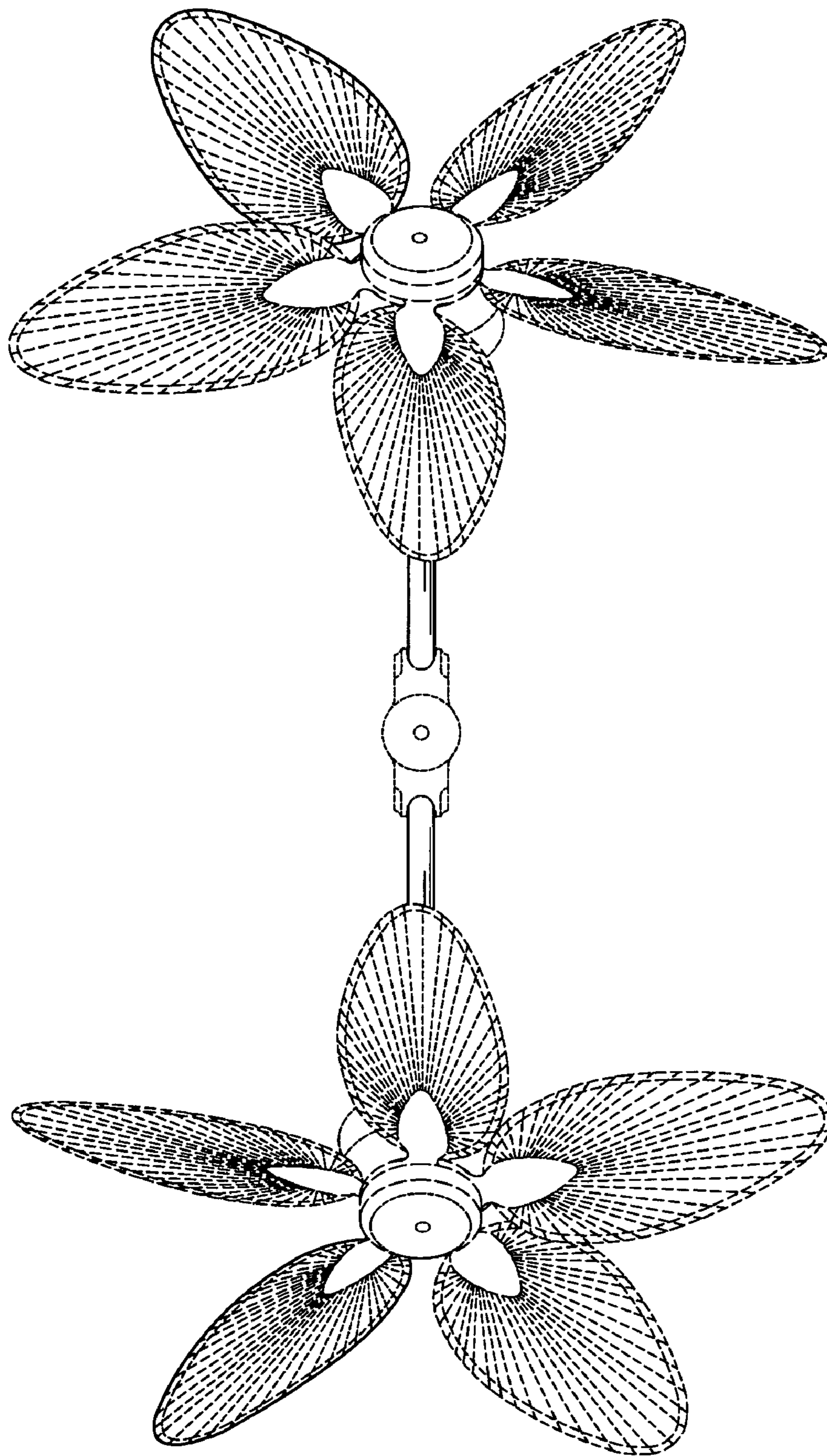


Fig. 6

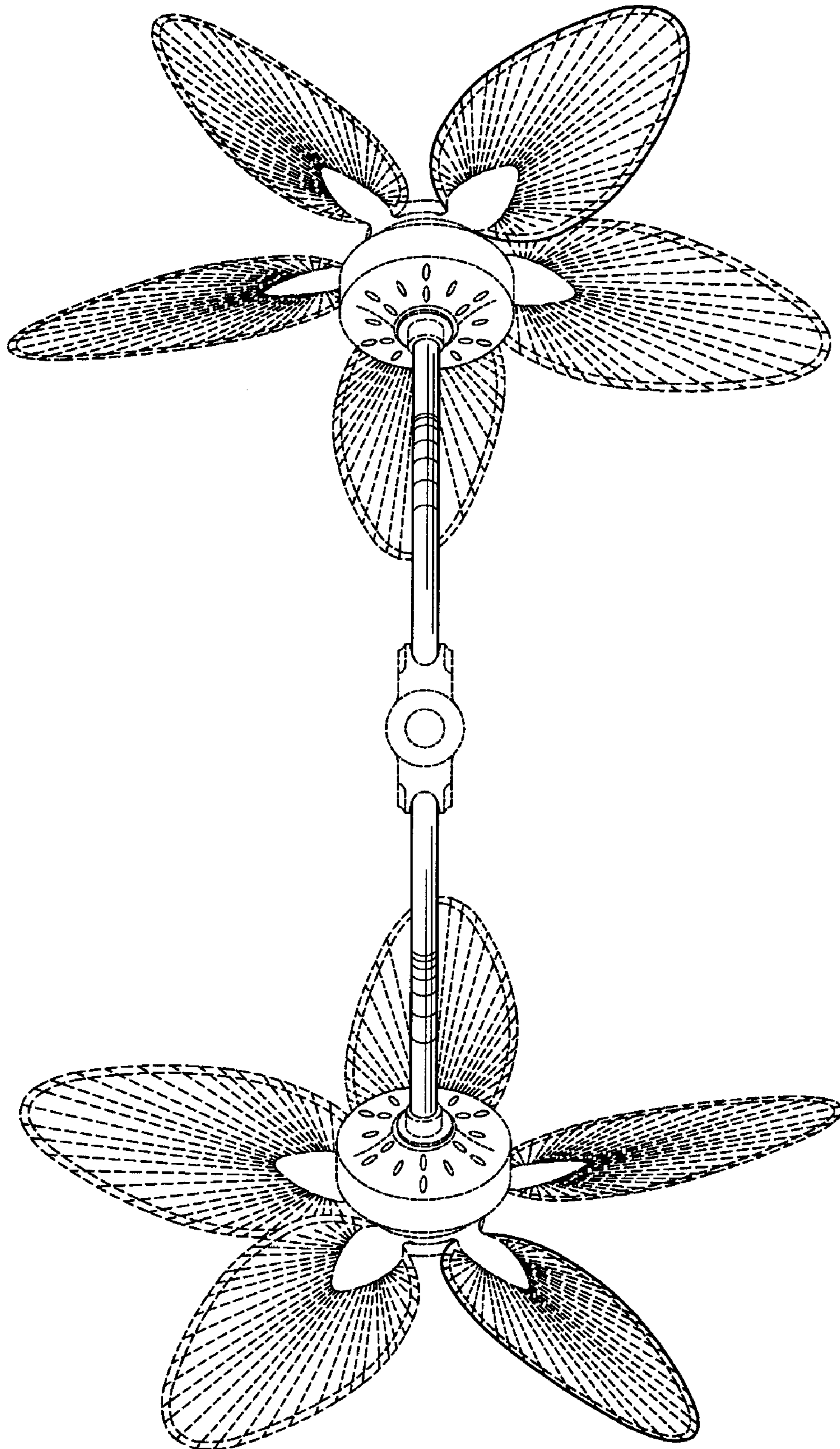


Fig. 7