



US00D595831S

(12) **United States Design Patent**
George

(10) **Patent No.:** **US D595,831 S**
(45) **Date of Patent:** **** Jul. 7, 2009**

(54) **NOVELTY HELICOPTER FAN**

D532,096 S * 11/2006 Gomez D23/377

(76) Inventor: **Michael George**, 1084 Sanbernardino Ave., Pomona, CA (US) 91767

* cited by examiner

Primary Examiner—Lisa P Lichtenstein

(**) Term: **14 Years**

(57) **CLAIM**

(21) Appl. No.: **29/310,921**

The ornamental design for a novelty helicopter fan, as shown and described.

(22) Filed: **Sep. 18, 2008**

DESCRIPTION

(51) **LOC (9) Cl.** **23-04**

(52) **U.S. Cl.** **D23/377**

(58) **Field of Classification Search** D23/377,
D23/379, 385, 411, 413; 416/5; D21/442
See application file for complete search history.

FIG. 1 is a left side elevational view of a novelty helicopter fan showing my new design;

FIG. 2 is a front elevational view thereof;

FIG. 3 is a right side elevational view thereof;

FIG. 4 is a rear elevational thereof;

FIG. 5 is a top plan view thereof; and,

FIG. 6 is a bottom plan view thereof.

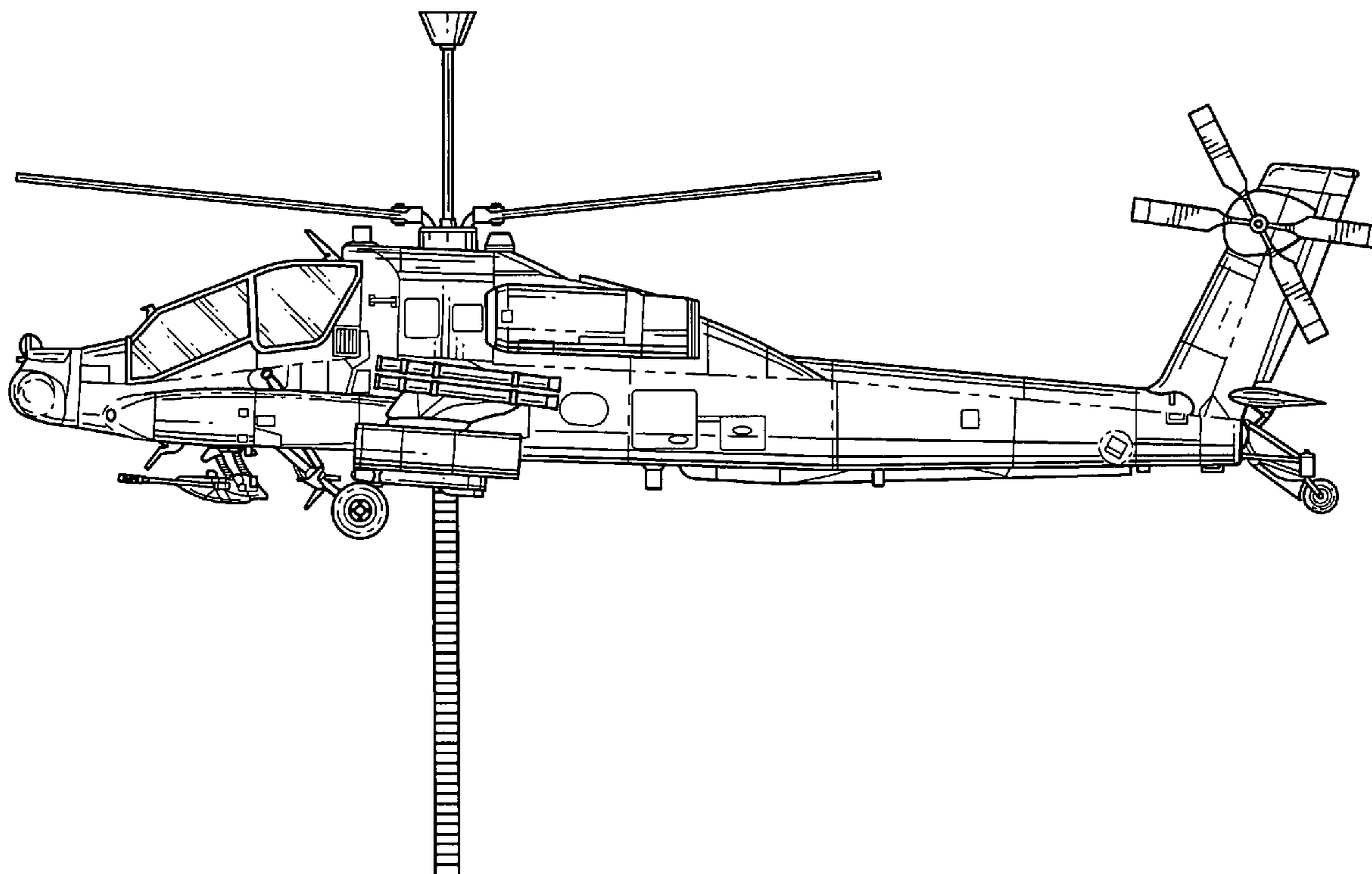
The broken line showing of portions of a novelty helicopter fan is included for the purpose of illustrating environmental structure and forms no part of the claimed design.

(56) **References Cited**

U.S. PATENT DOCUMENTS

- D295,430 S 4/1988 Smith
- D341,194 S * 11/1993 Reid et al. D23/377
- D359,553 S 6/1995 Hsi
- D374,926 S * 10/1996 Sheh D23/377

1 Claim, 6 Drawing Sheets



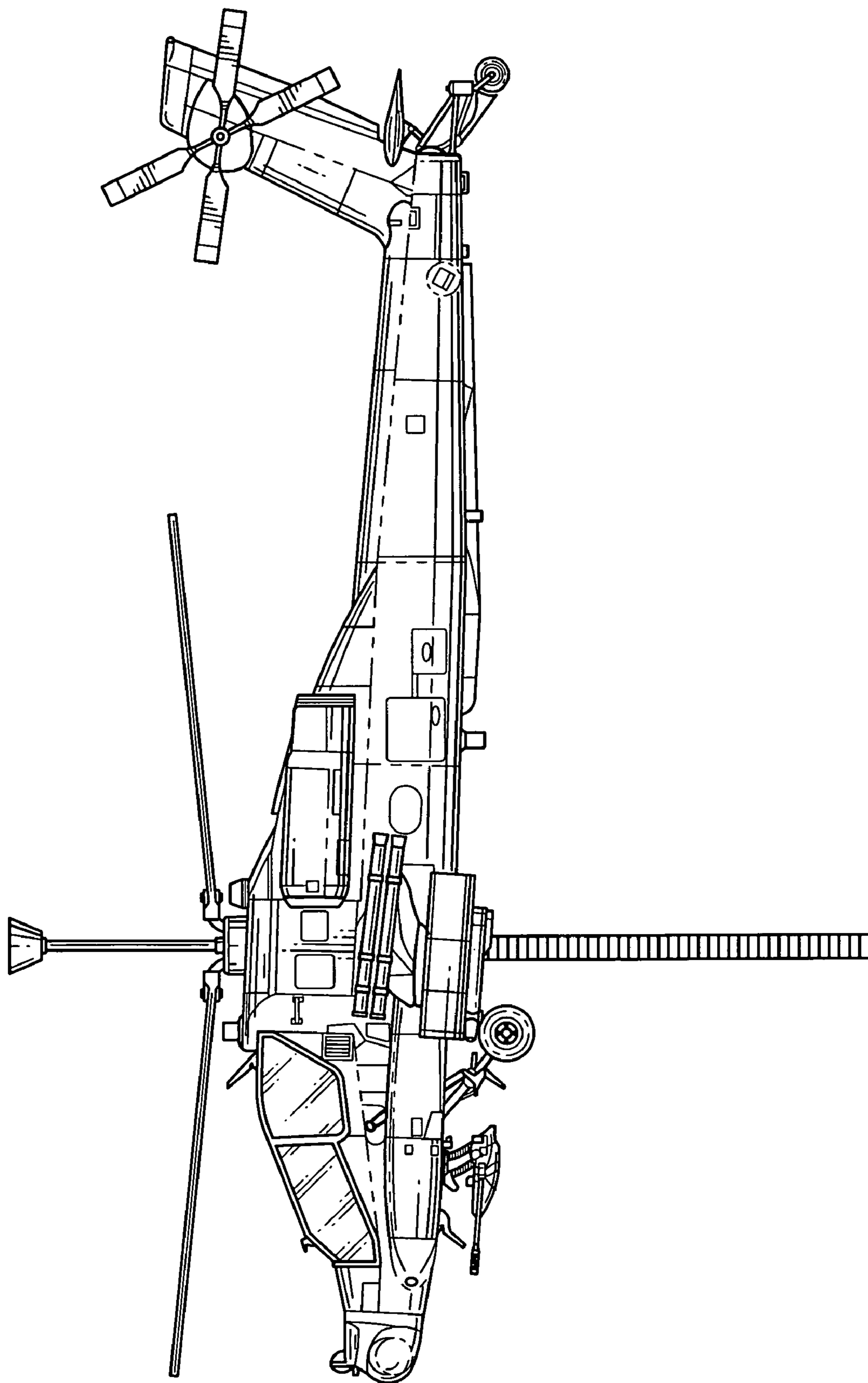


FIG. 1

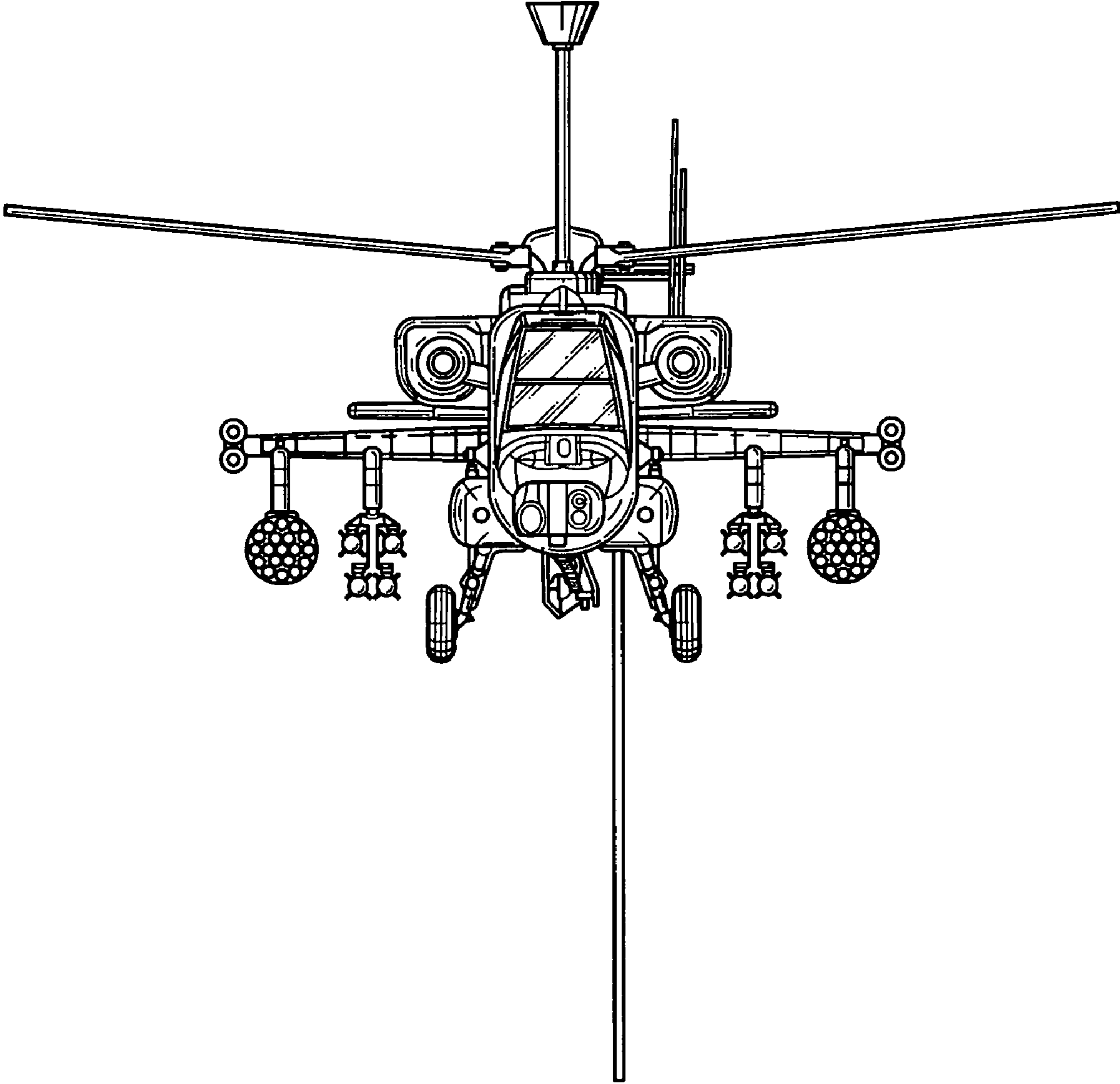


FIG. 2

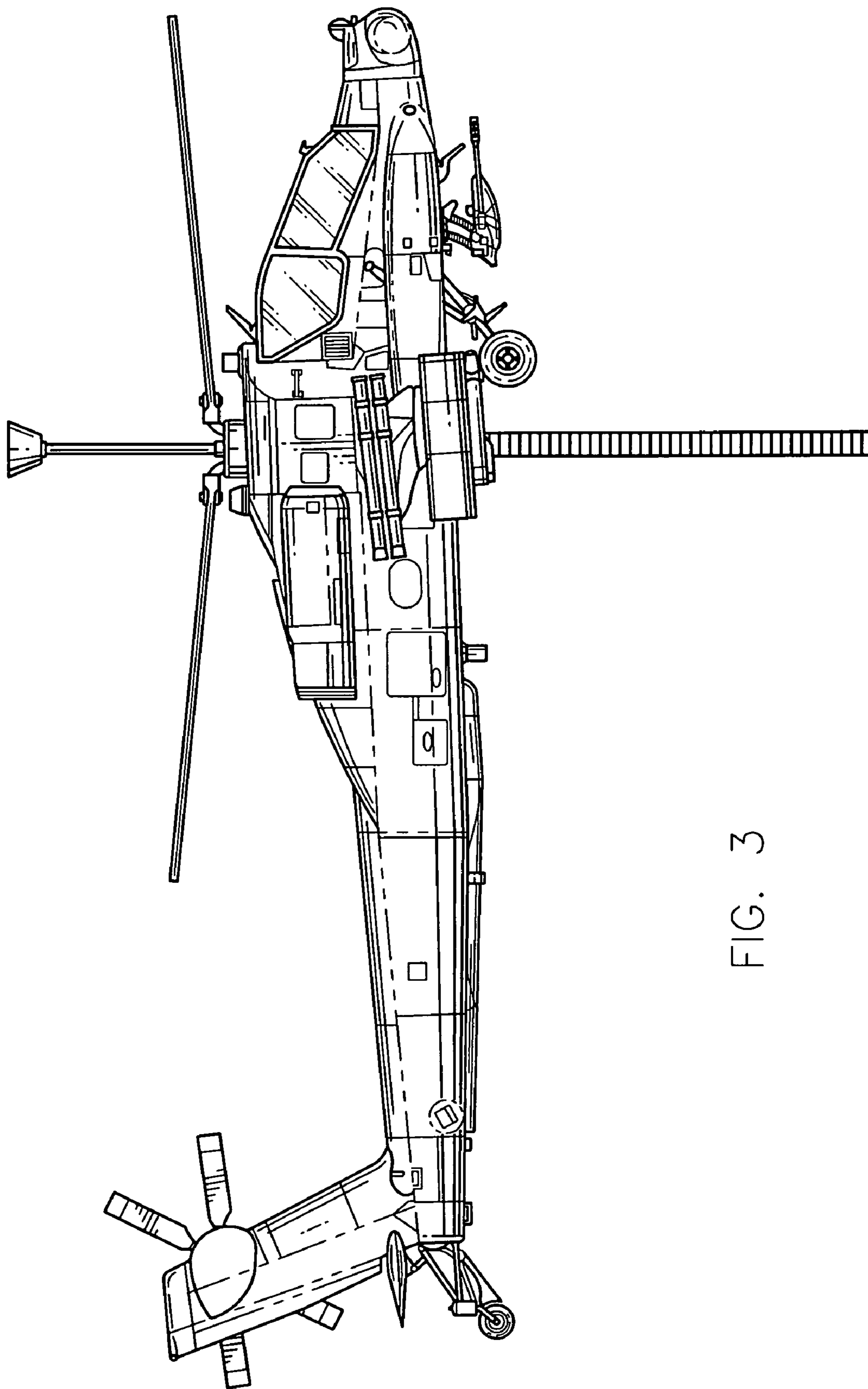


FIG. 3

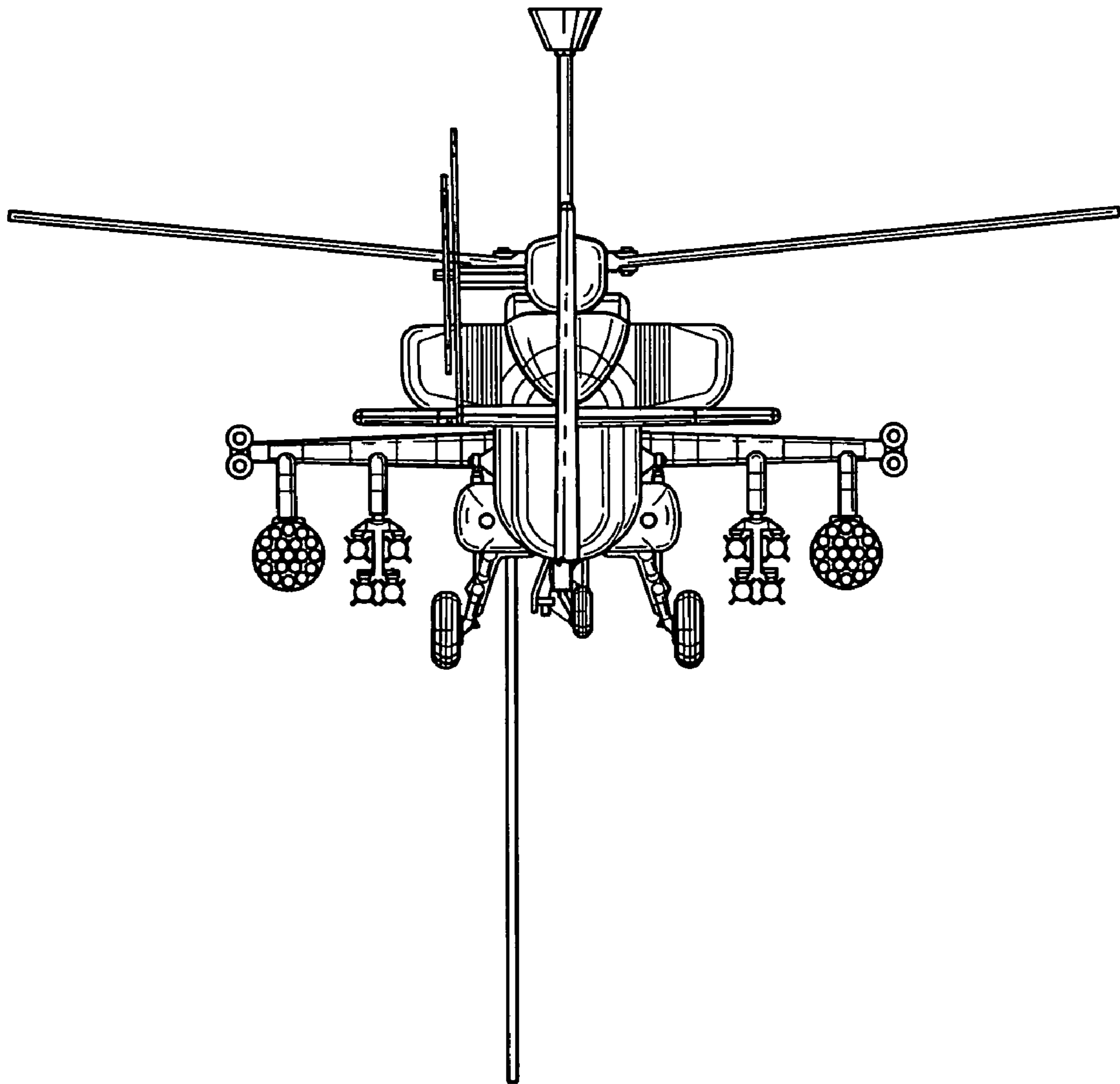


FIG. 4

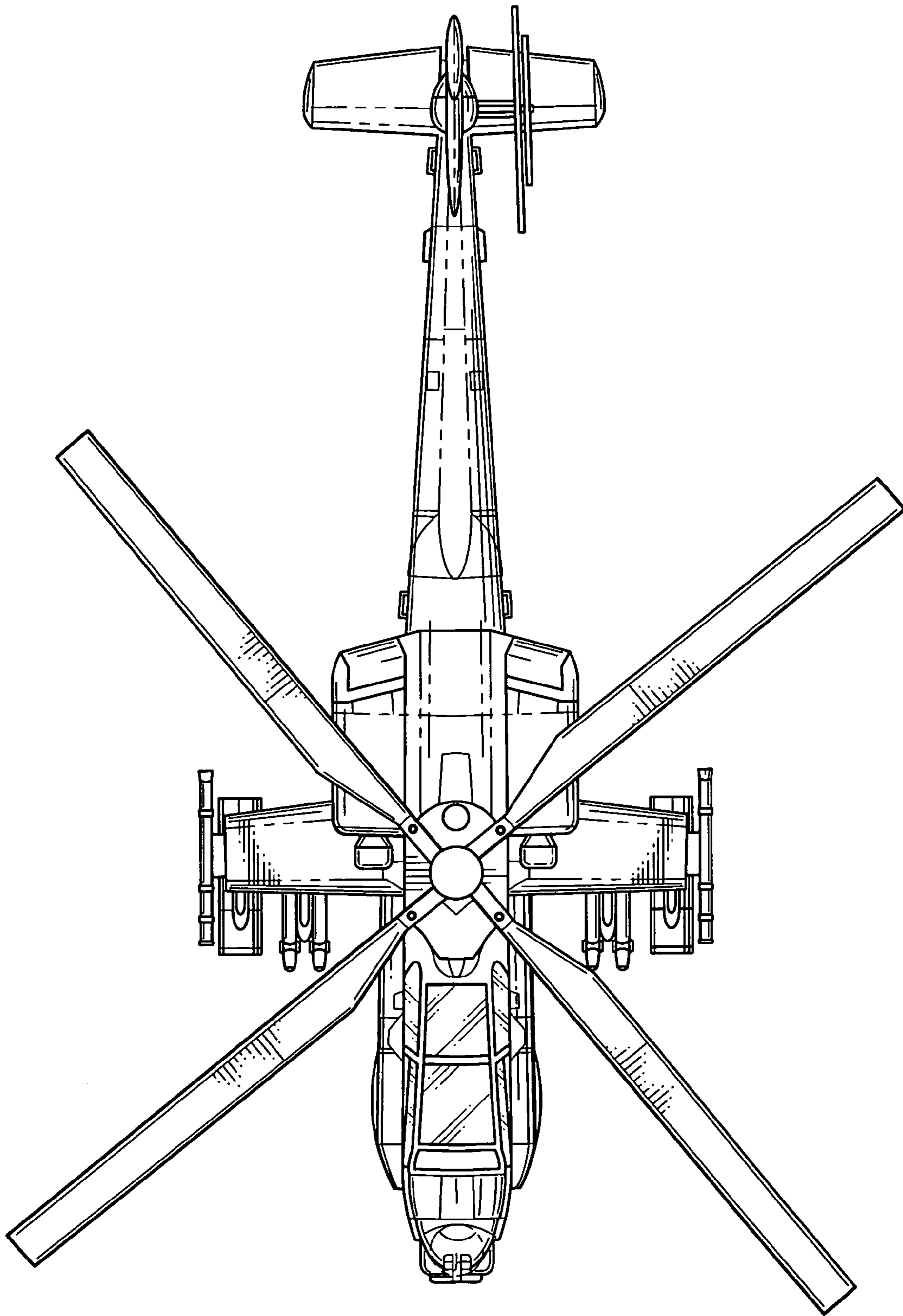


FIG. 5

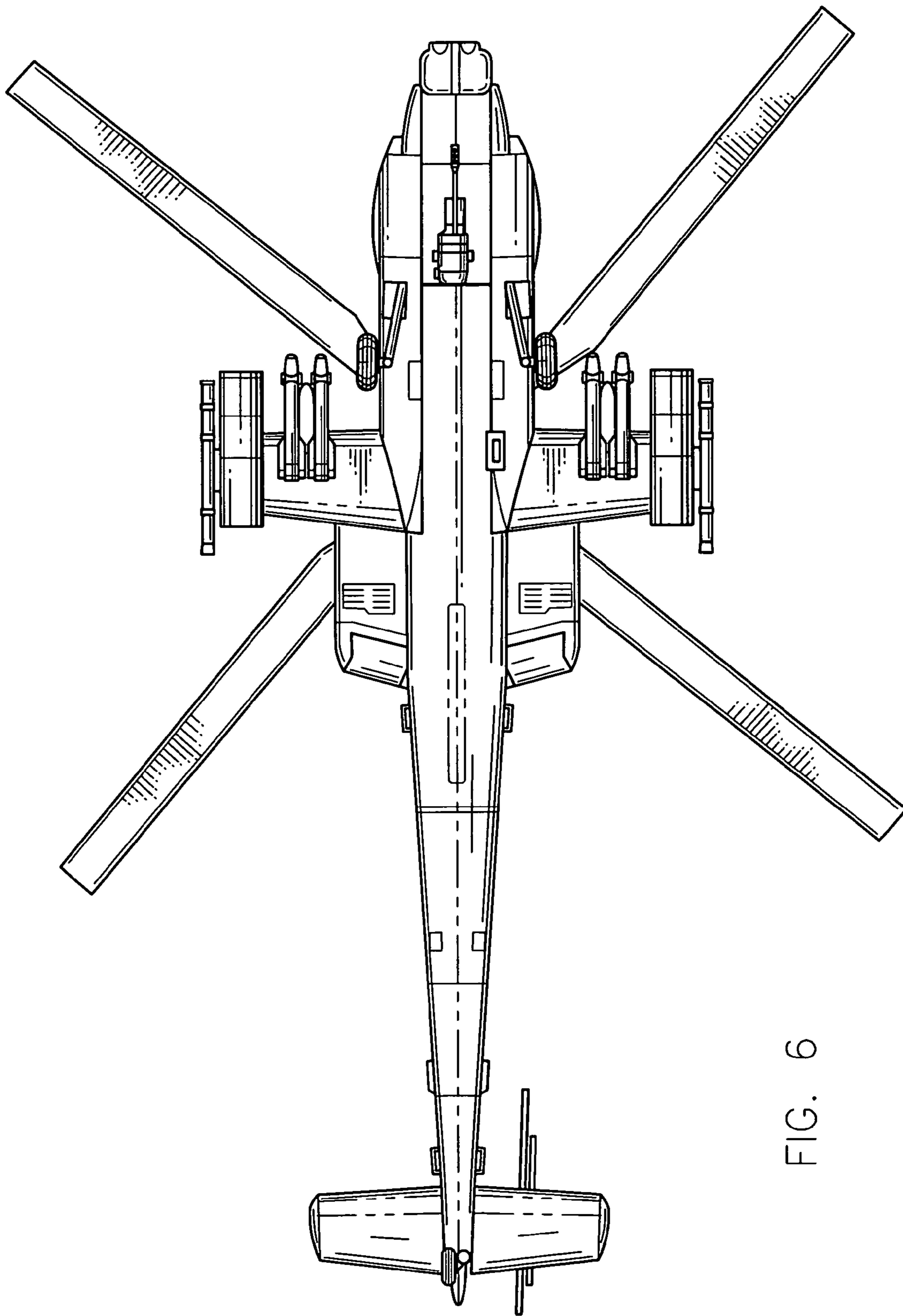


FIG. 6