

US00D595823S

(12) **United States Design Patent**  
**Parr**

(10) **Patent No.:** **US D595,823 S**  
(45) **Date of Patent:** **\*\* Jul. 7, 2009**

(54) **STERILANT GAS GENERATOR FOR DECONTAMINATING AN ENCLOSED SPACE OR ROOM**

(75) Inventor: **Richard Parr**, Hampshire (GB)

(73) Assignee: **Bioquell UK Limited**, Andover, Hampshire (GB)

(\*\*) Term: **14 Years**

(21) Appl. No.: **29/321,279**

(22) Filed: **Jul. 14, 2008**

(30) **Foreign Application Priority Data**

Jan. 18, 2008 (EM) ..... 000865100

(51) **LOC (9) Cl.** ..... **23-04**

(52) **U.S. Cl.** ..... **D23/360**

(58) **Field of Classification Search** ..... D23/364, D23/355, 356, 359, 360, 362, 352, 366, 369, D23/332, 333, 335, 336, 342, 351; 422/120, 422/122; 55/356, 473, 504; 96/97; D14/188, D14/170, 172; 261/DIG. 17, DIG. 65, DIG. 88, 261/DIG. 31

See application file for complete search history.

(56) **References Cited**

**U.S. PATENT DOCUMENTS**

D276,841 S \* 12/1984 Church ..... D23/336

(Continued)

**OTHER PUBLICATIONS**

Bioquell, The Clarus C—multi function hydrogen peroxide vapor generator, <http://www.bioquell.com/us/default.asp?Ctrl=1&ex526=1&pid=526&id=526>, design published at least as early as Jan. 17, 2008.

(Continued)

*Primary Examiner*—T. Chase Nelson

*Assistant Examiner*—David G Muller

(74) *Attorney, Agent, or Firm*—Workman Nydegger

(57) **CLAIM**

The ornamental design for a sterilant gas generator for decontaminating an enclosed space or room, as shown and described.

**DESCRIPTION**

FIG. 1 is a front perspective view of a first embodiment of a sterilant gas generator for decontaminating an enclosed space or room showing my new design;

FIG. 2 is a rear perspective view thereof;

FIG. 3 is a front elevational view thereof;

FIG. 4 is a rear elevational view thereof;

FIG. 5 is a left side elevational view thereof;

FIG. 6 is a right side elevational view thereof;

FIG. 7 is a top plan view thereof;

FIG. 8 is a bottom plan view thereof;

FIG. 9 is a front perspective view of a second embodiment of the sterilant gas generator for decontaminating an enclosed space or room shown in FIG. 1;

FIG. 10 is a rear perspective view thereof;

FIG. 11 is a front elevational view thereof;

FIG. 12 is a rear elevational view thereof;

FIG. 13 is a left side elevational view thereof;

FIG. 14 is a right side elevational view thereof;

FIG. 15 is a top plan view thereof;

FIG. 16 is a bottom plan view thereof;

FIG. 17 is a front perspective view of a third embodiment of the sterilant gas generator for decontaminating an enclosed space or room shown in FIG. 1;

FIG. 18 is a rear perspective view thereof;

FIG. 19 is a front elevational view thereof;

FIG. 20 is a rear elevational view thereof;

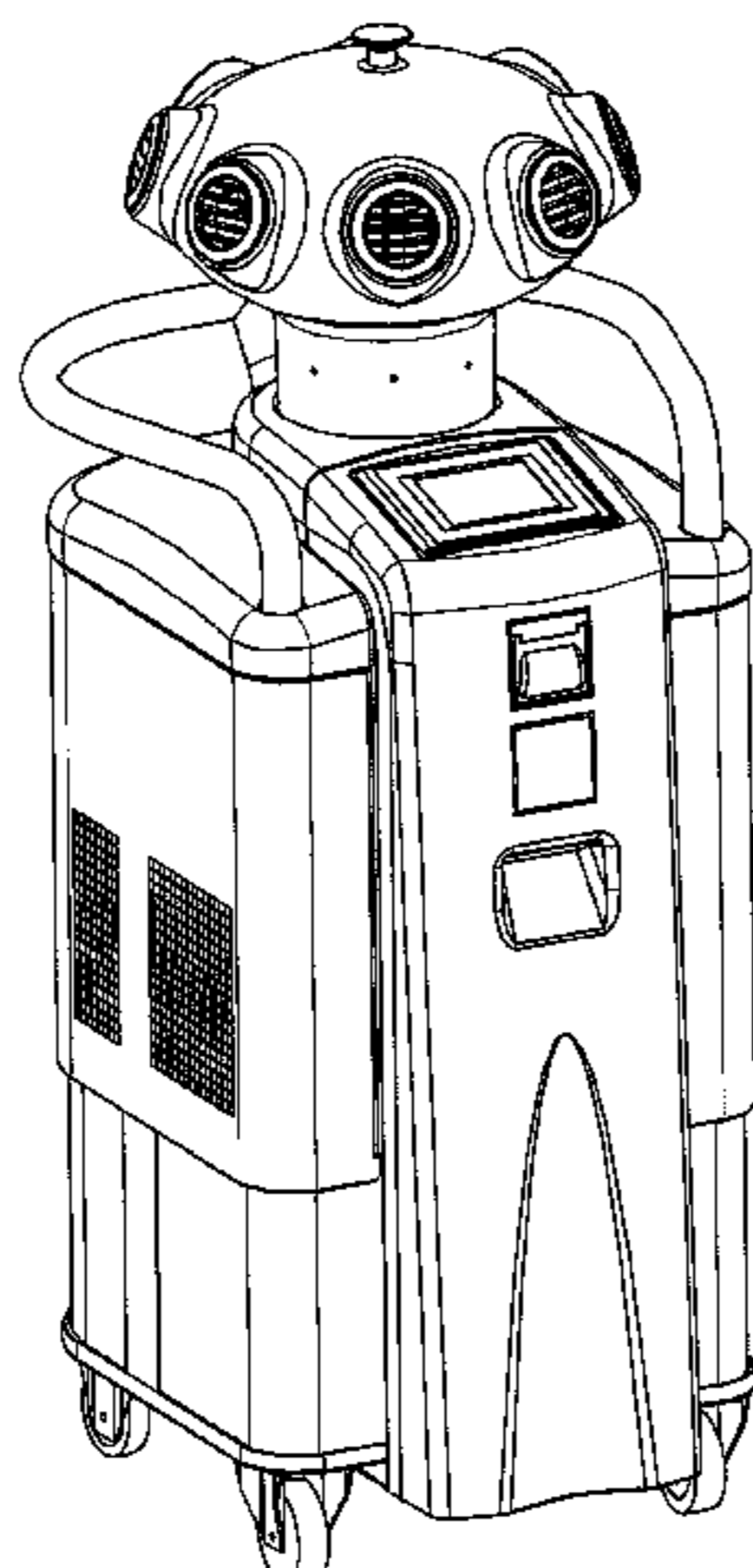
FIG. 21 is a left side elevational view thereof;

FIG. 22 is a right side elevational view thereof;

FIG. 23 is a top plan view thereof; and,

FIG. 24 is a bottom plan view thereof.

**1 Claim, 21 Drawing Sheets**



# US D595,823 S

Page 2

---

## U.S. PATENT DOCUMENTS

D325,252 S \* 4/1992 Morris et al. .... D23/364  
D337,592 S \* 7/1993 Hider et al. .... D23/332  
D351,902 S \* 10/1994 Shaw ..... D23/364  
D352,350 S \* 11/1994 Rambo et al. .... D23/364  
D386,255 S \* 11/1997 Ying-teng ..... D23/364  
D419,230 S \* 1/2000 Ciccone ..... D23/333  
D435,096 S \* 12/2000 Meeks et al. .... D23/356  
D445,116 S \* 7/2001 Evans et al. .... D23/332  
D508,735 S \* 8/2005 Klein ..... D23/359  
D519,622 S \* 4/2006 Cocchi ..... D23/366

D521,620 S \* 5/2006 Tseng et al. .... D23/364  
D572,356 S \* 7/2008 Harber ..... D23/364

## OTHER PUBLICATIONS

Bioquell, The Clarus L Small Chamber Hydrogen peroxide Vapor (HPV) Generator, <http://www.bioquell.com/us/default.asp?Ctrl=1&ex526=1&pid=526&id=526>, design published at least as early as Jan. 17, 2008.

\* cited by examiner

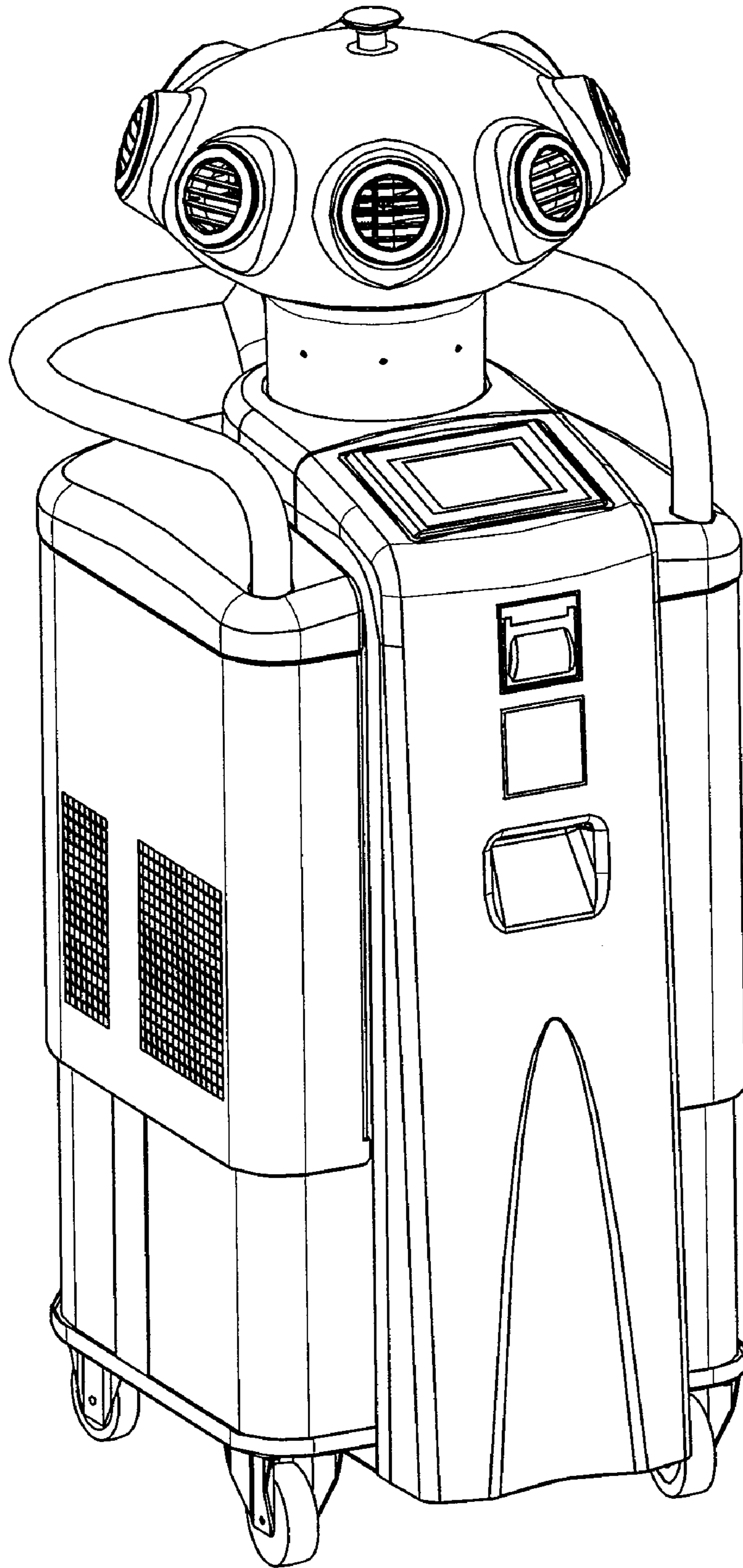


FIG. 1

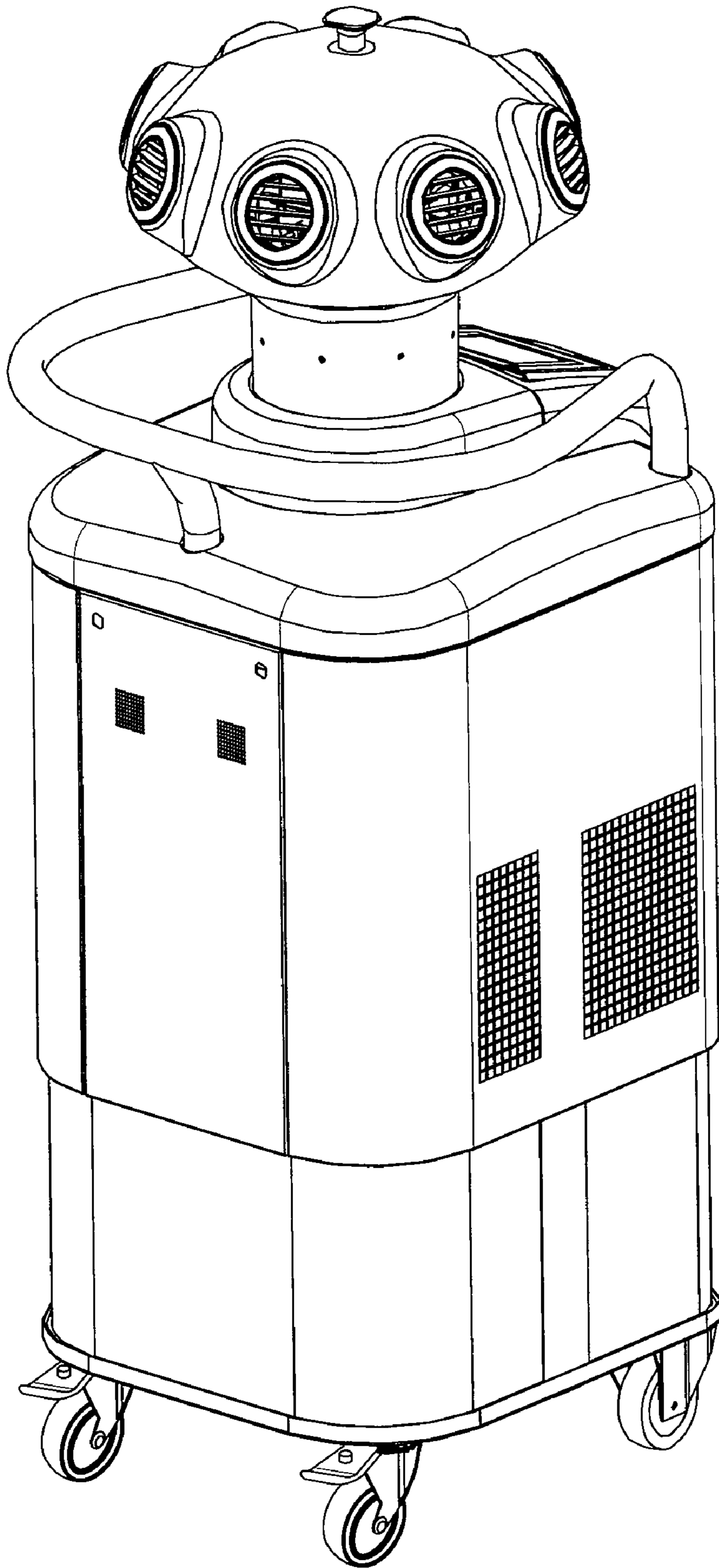


FIG. 2

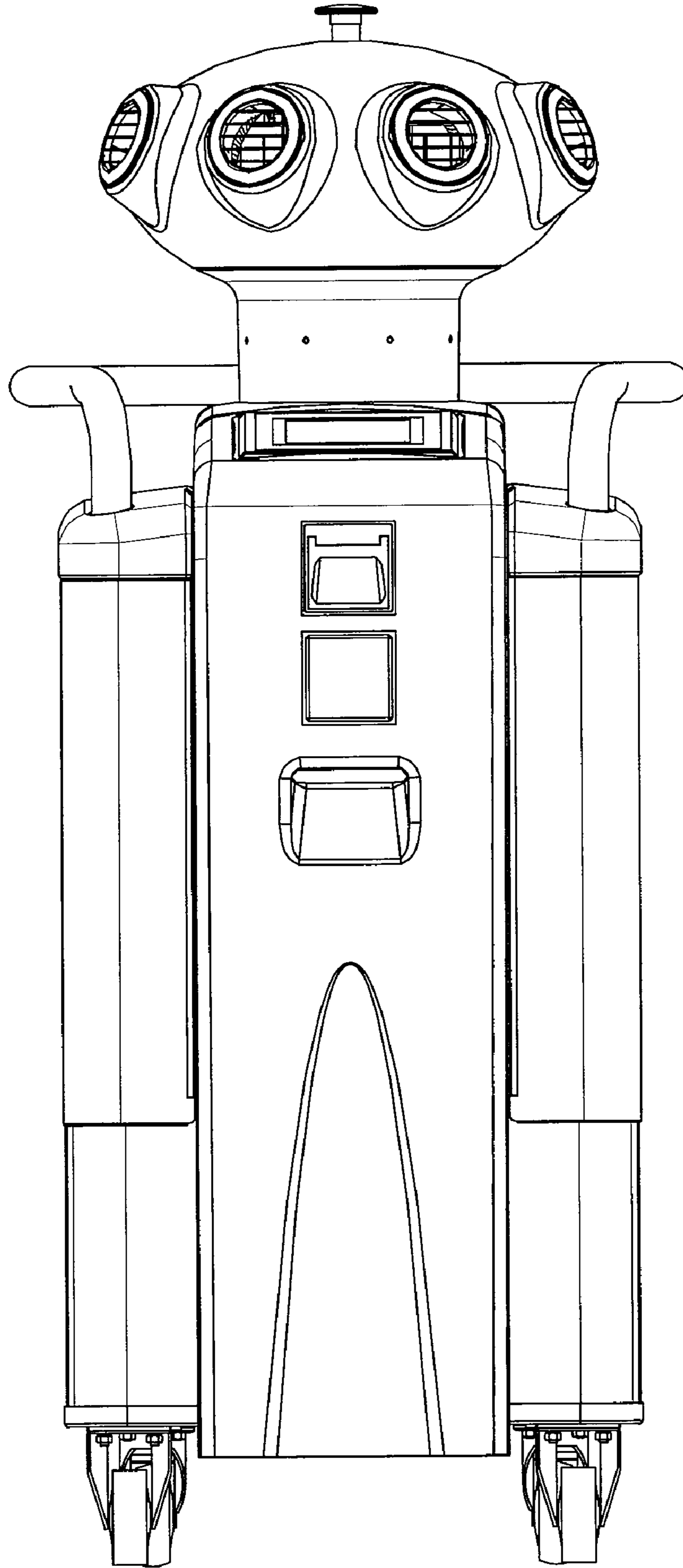


FIG. 3

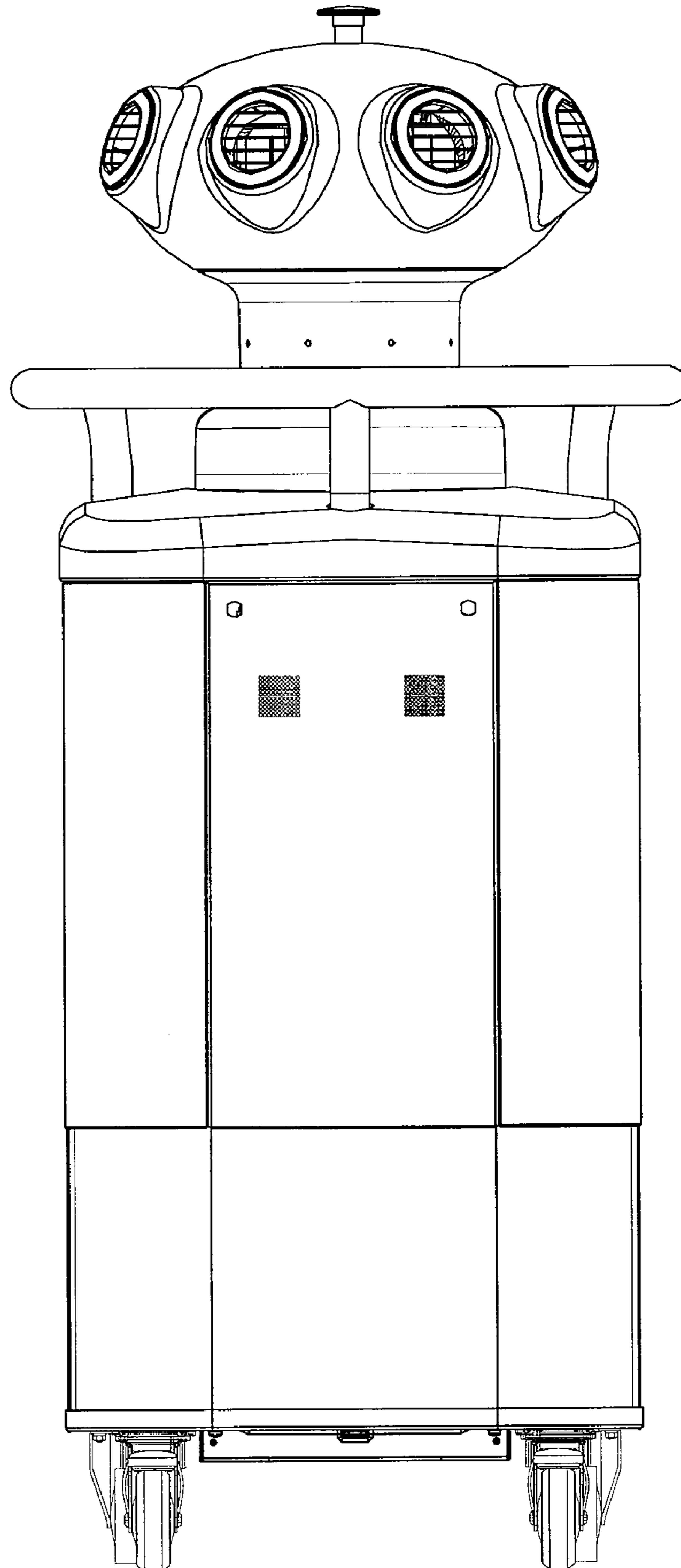


FIG. 4

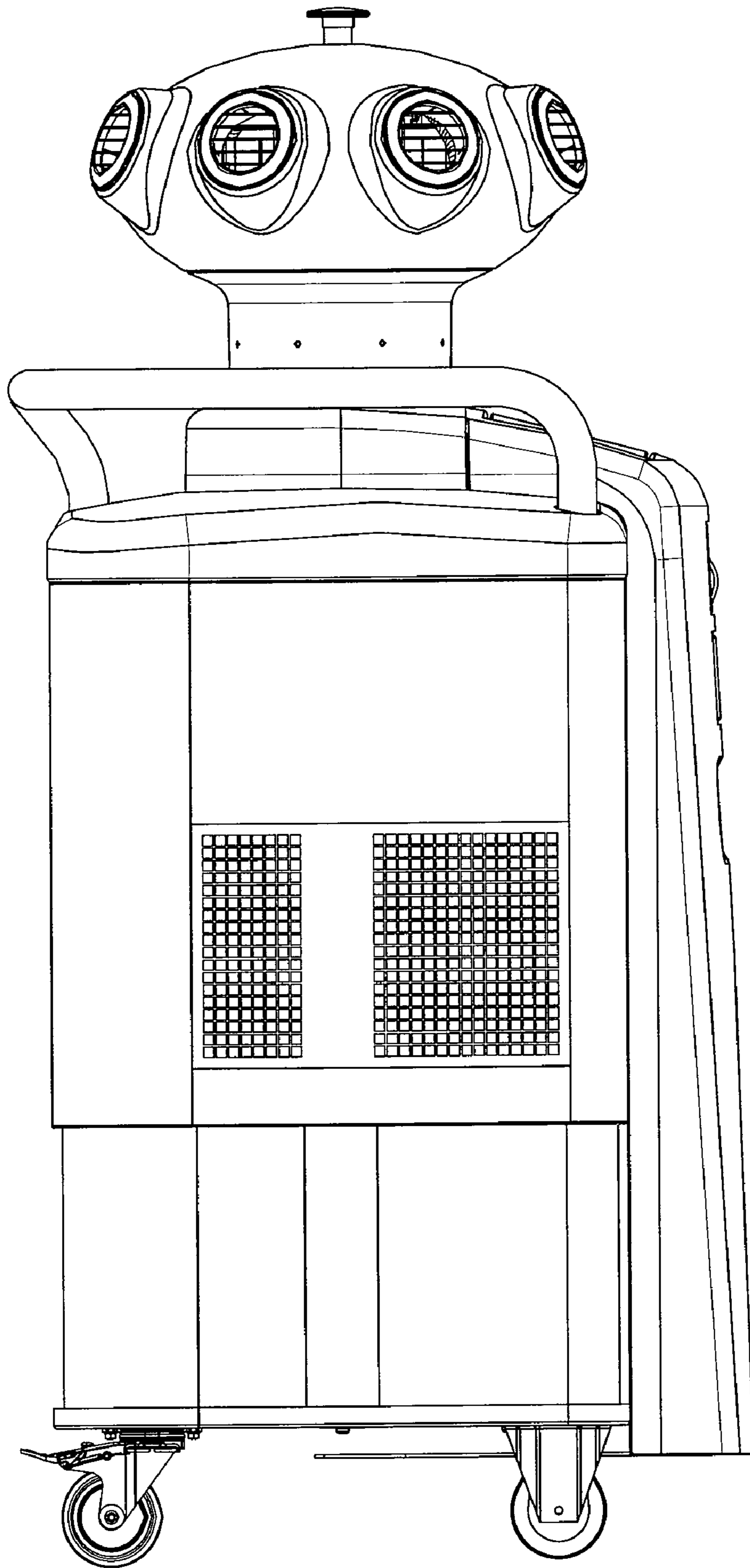


FIG. 5

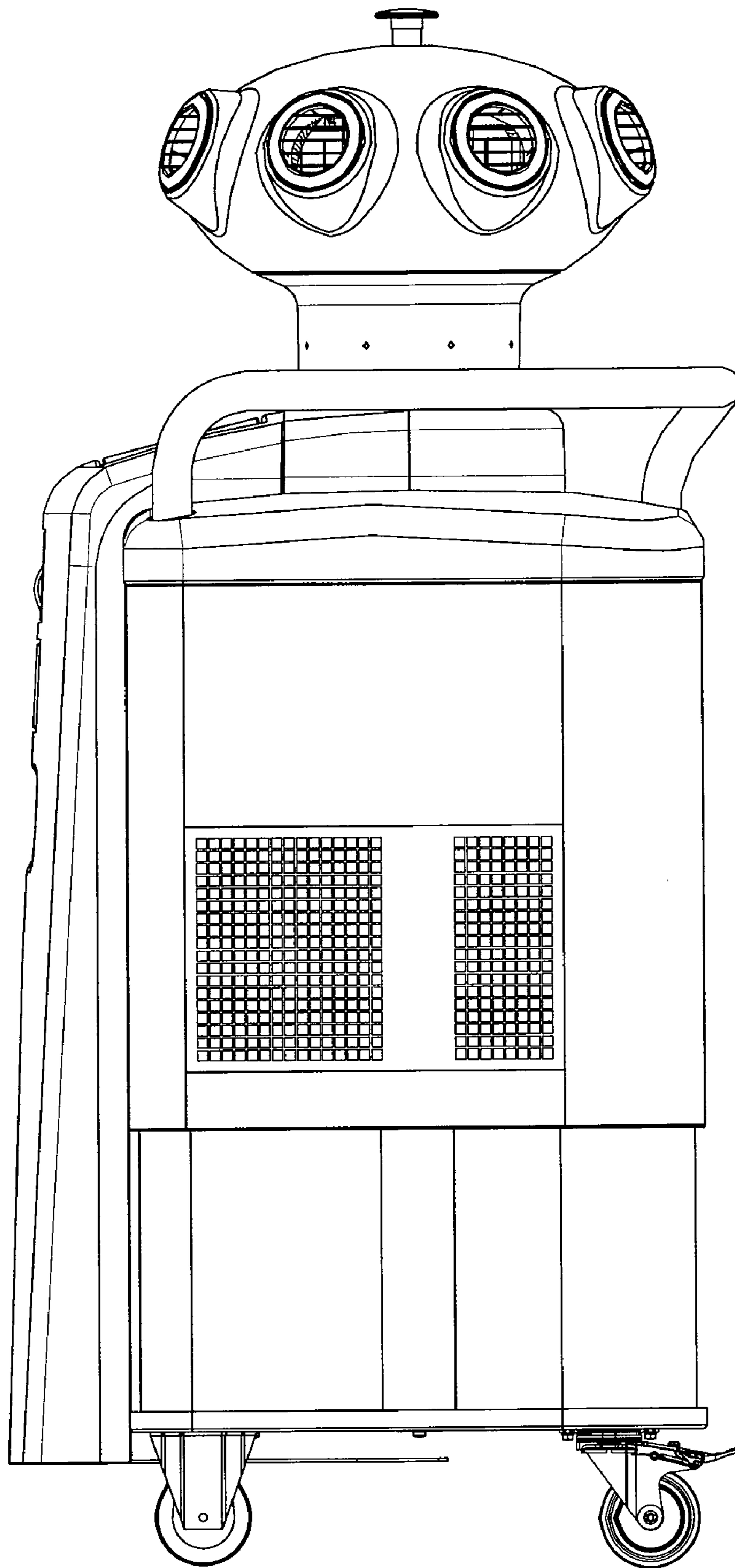


FIG. 6



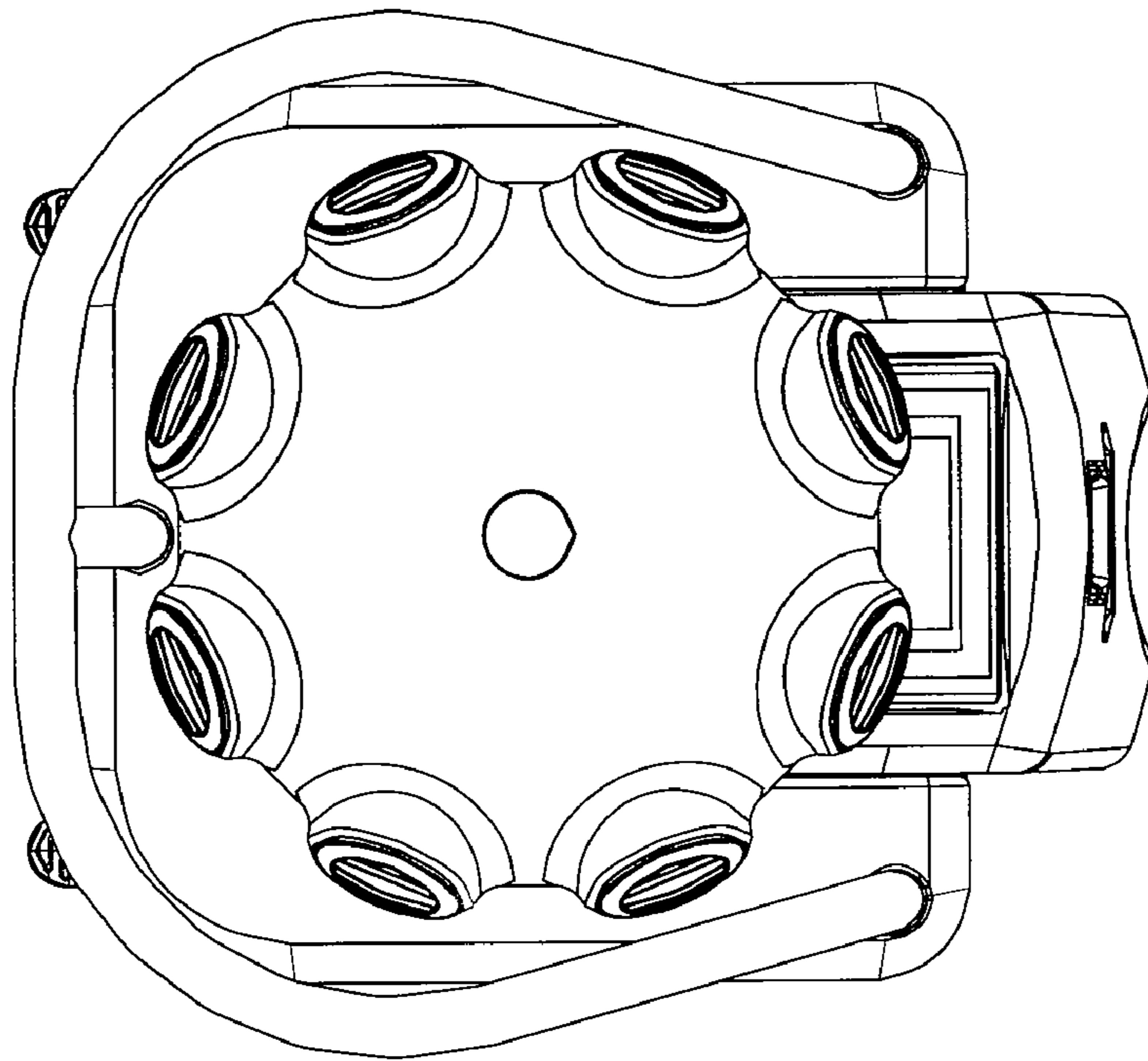


FIG. 7

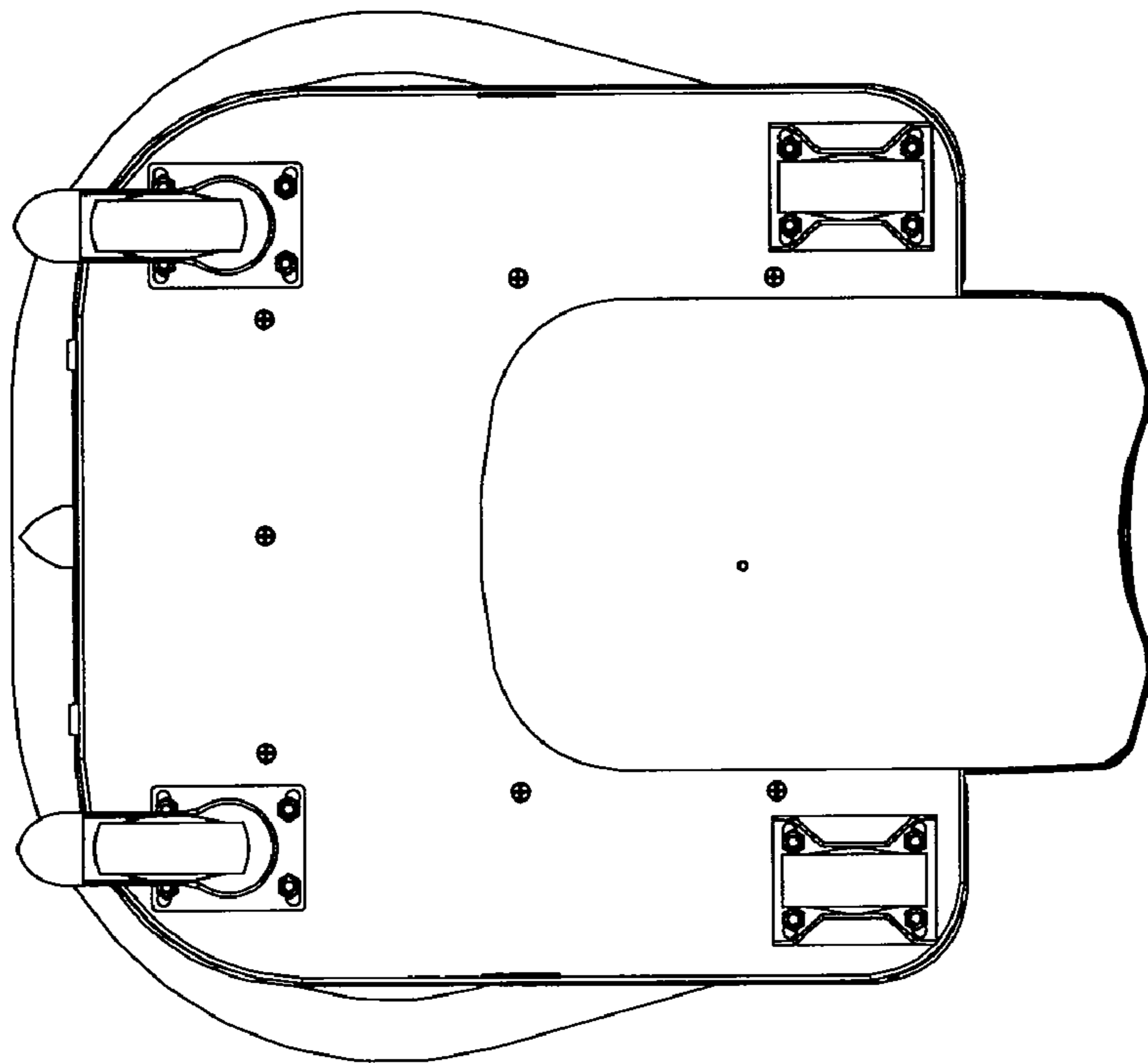


FIG. 8

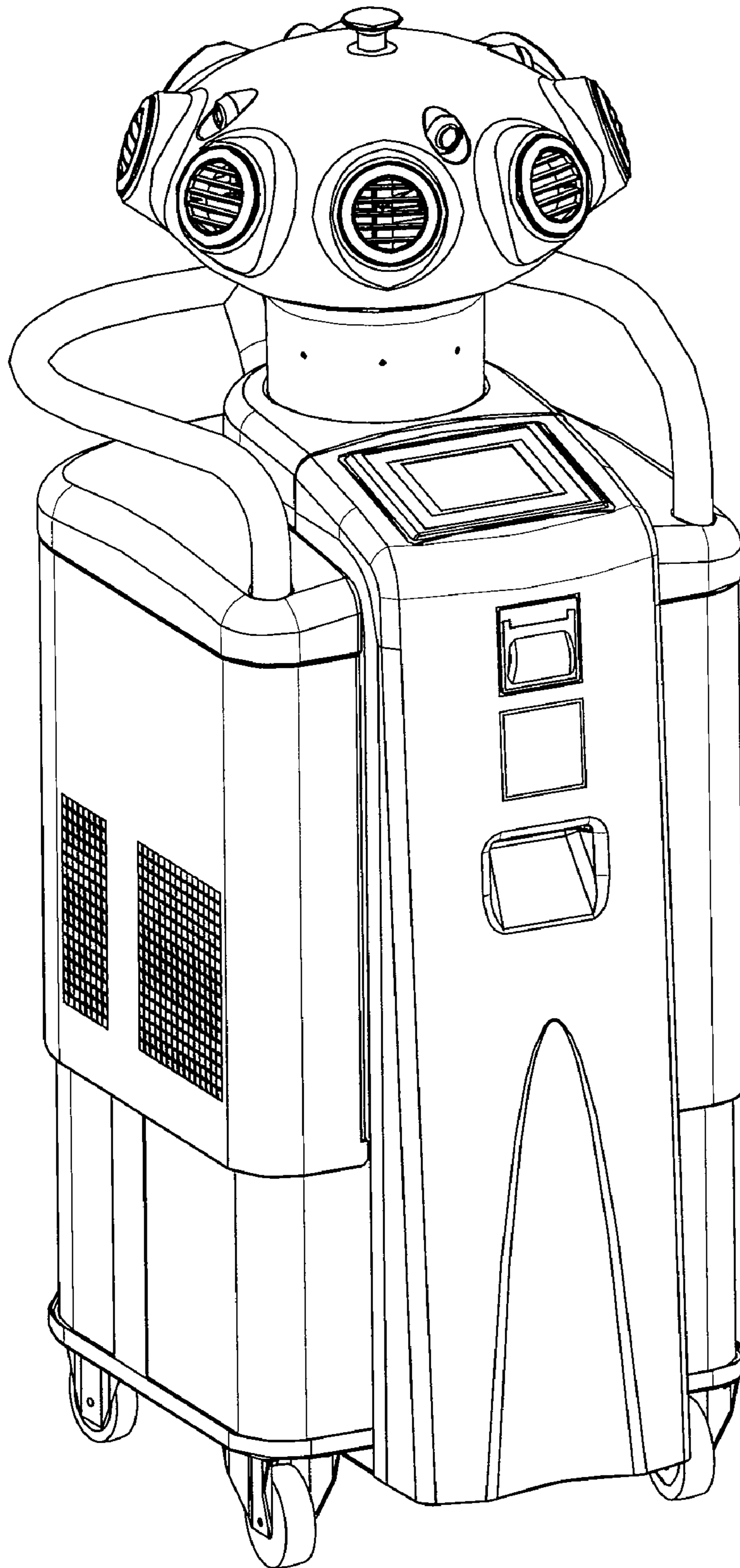


FIG. 9

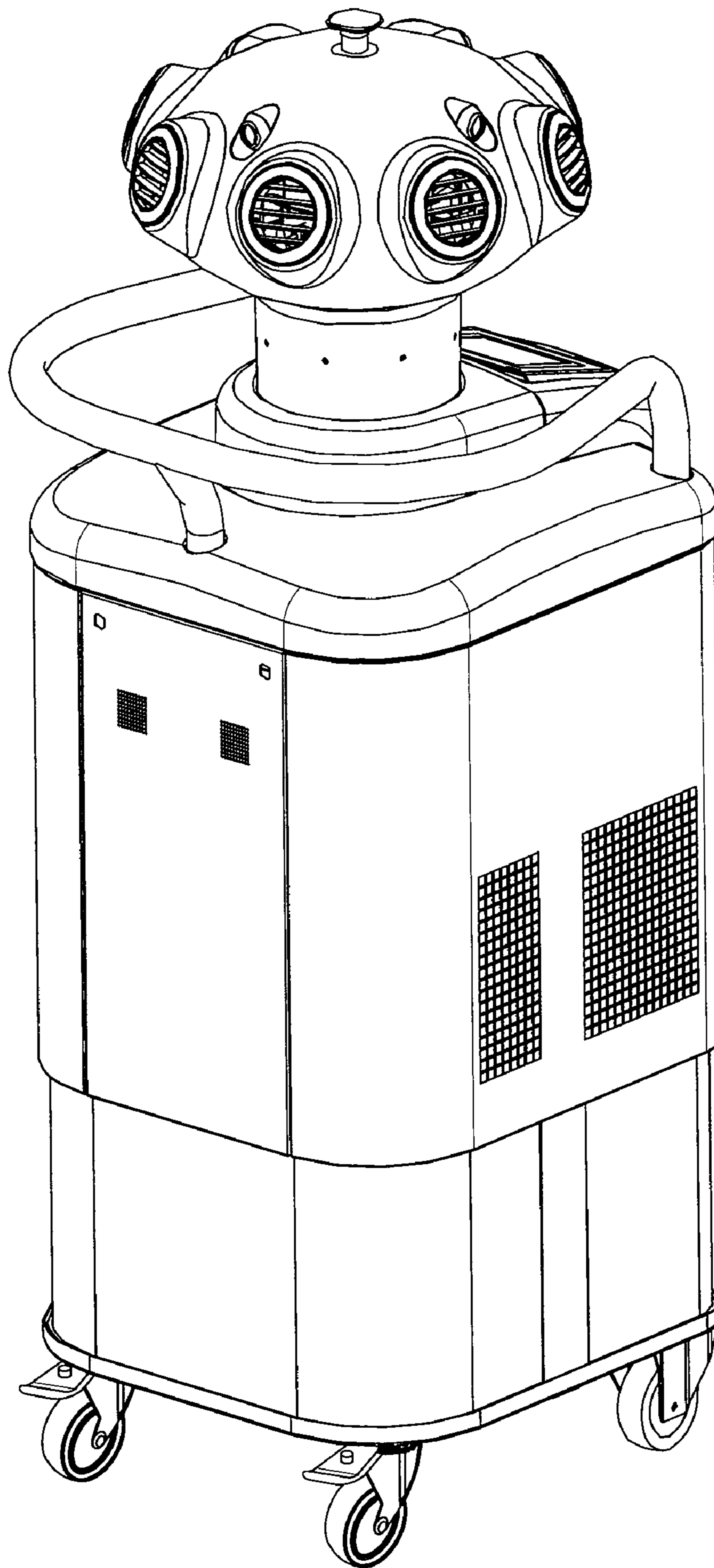


FIG. 10

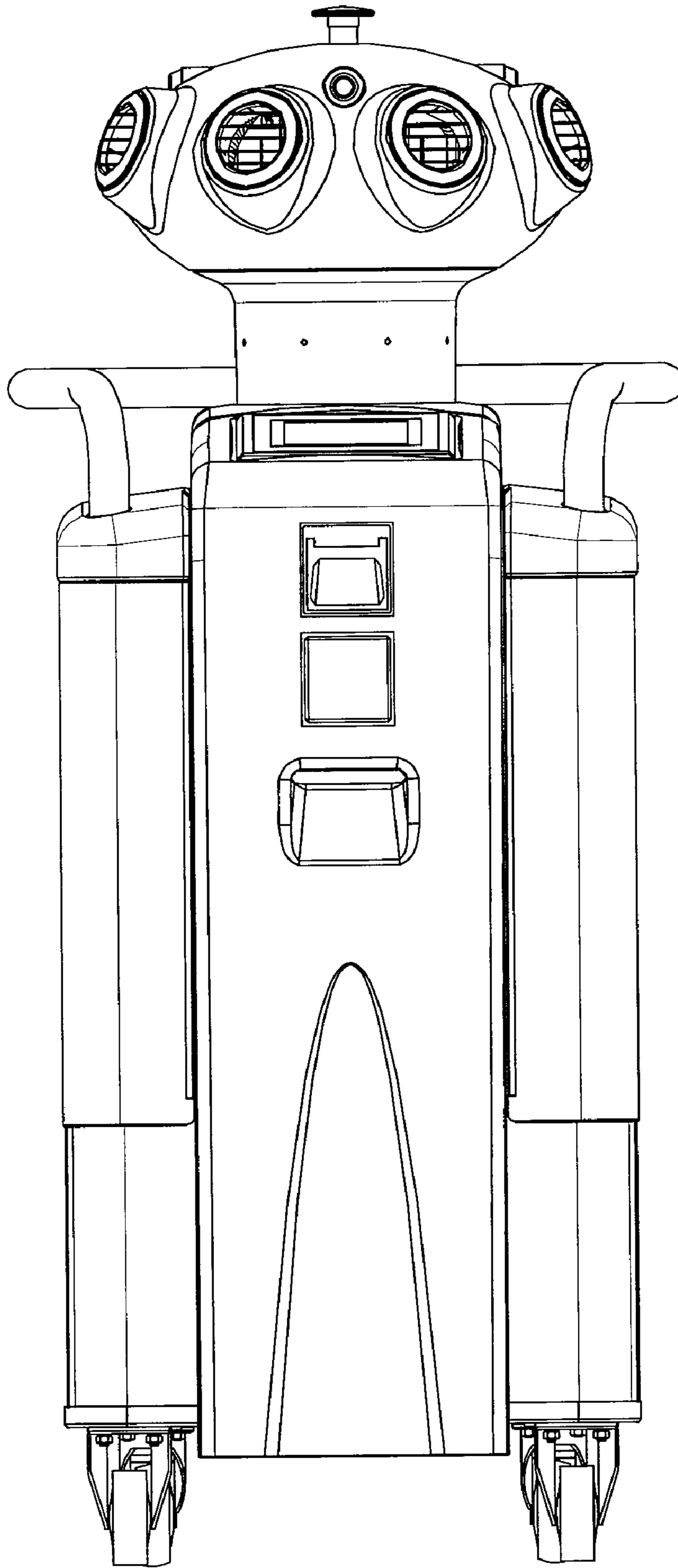


FIG. 11

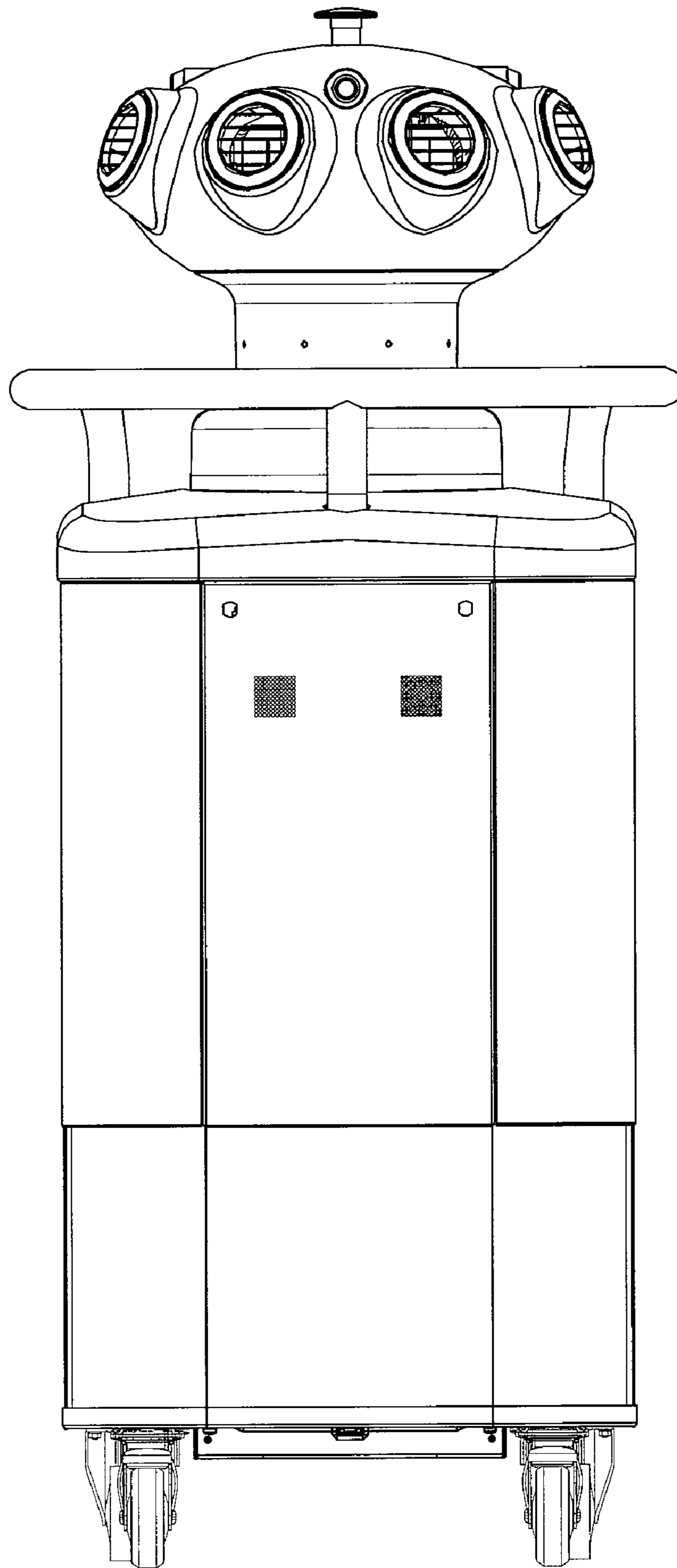


FIG. 12

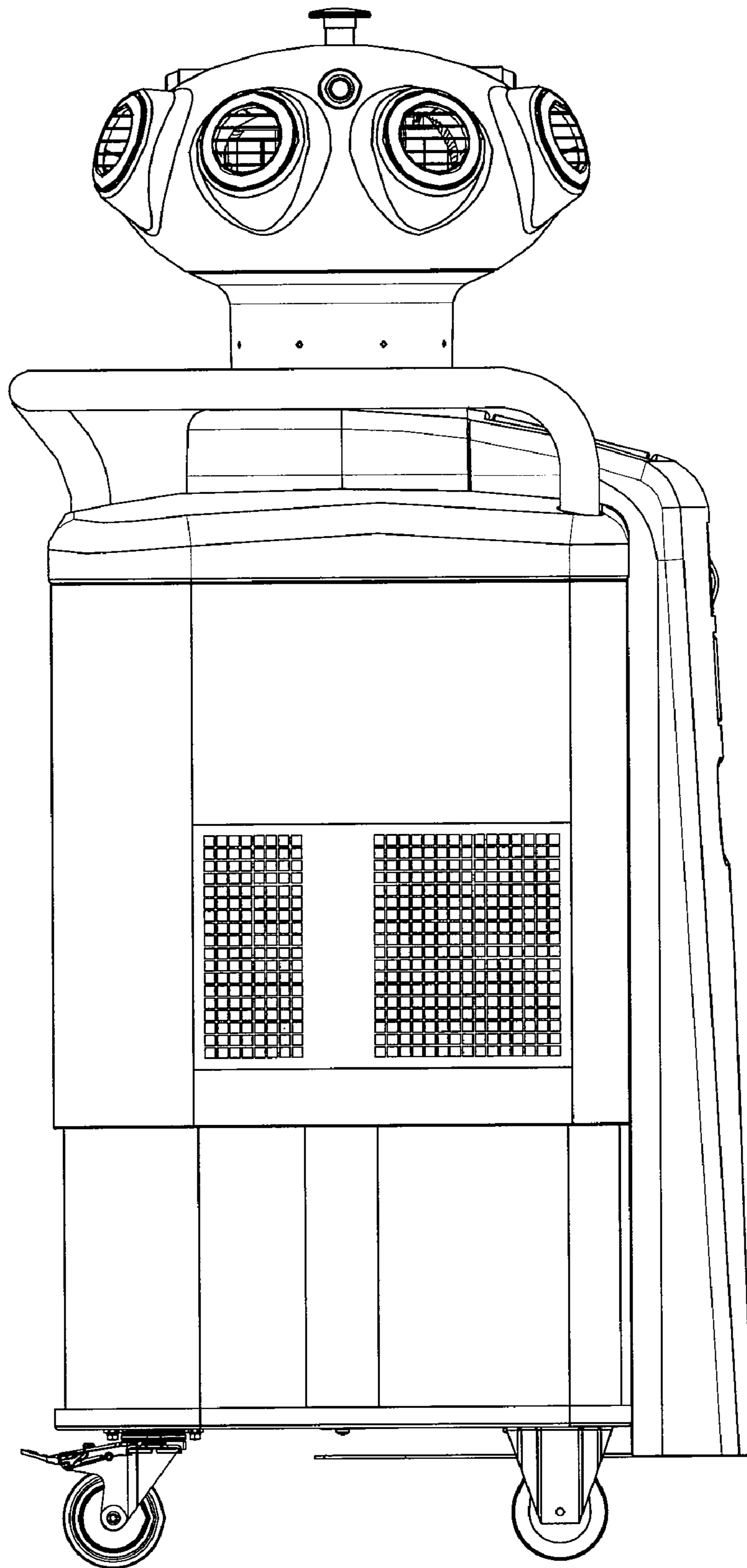


FIG. 13

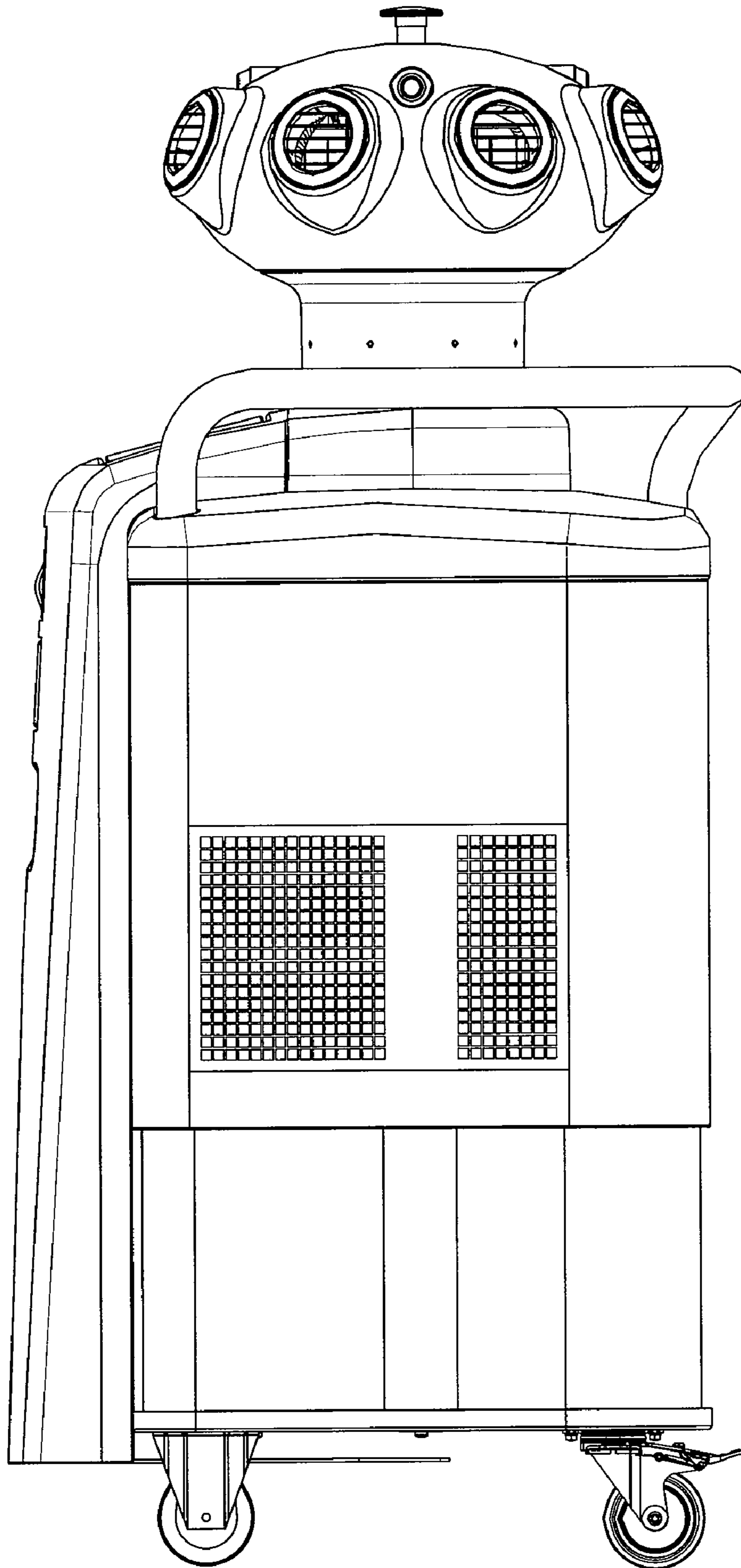


FIG. 14

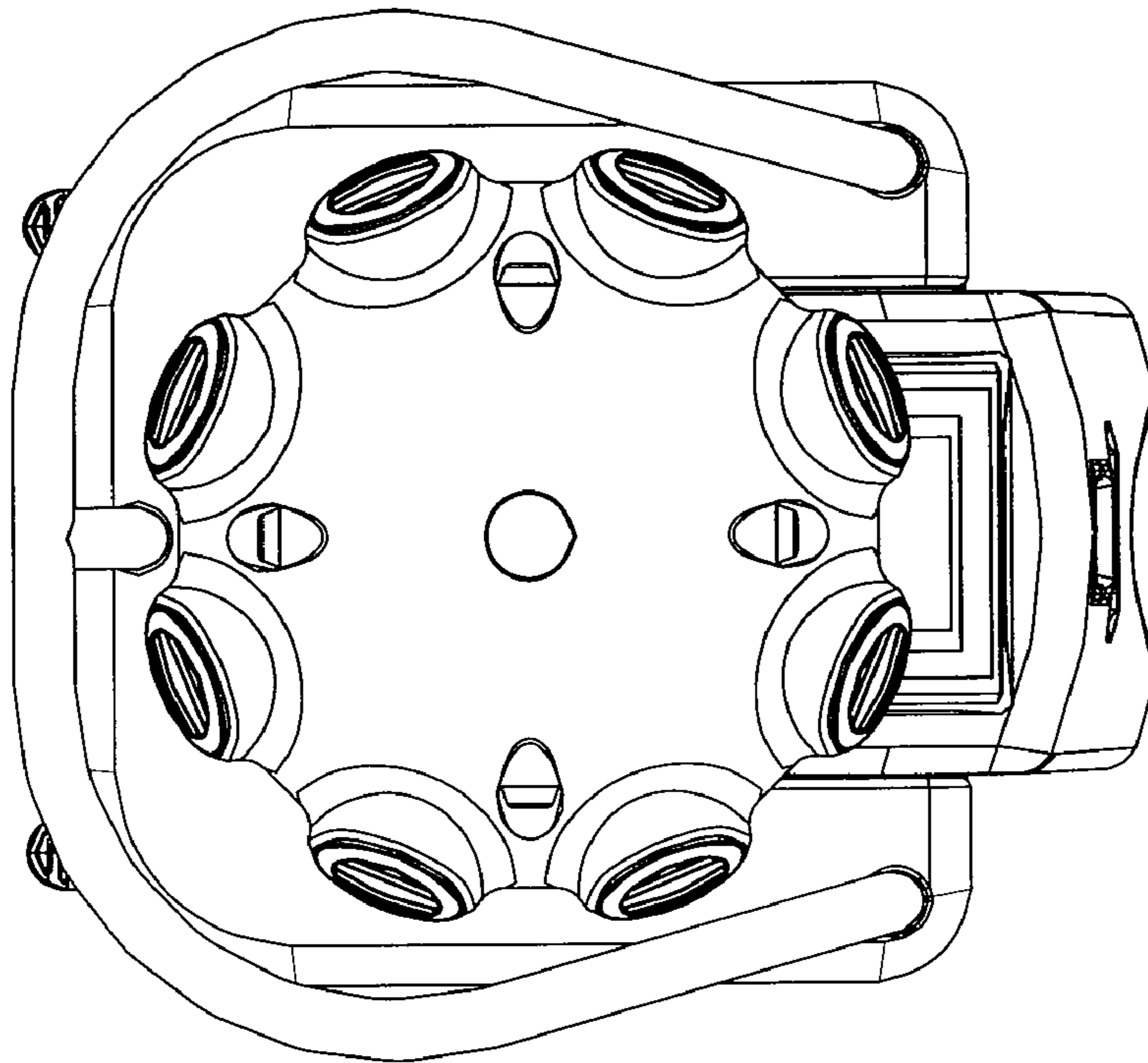


FIG. 15

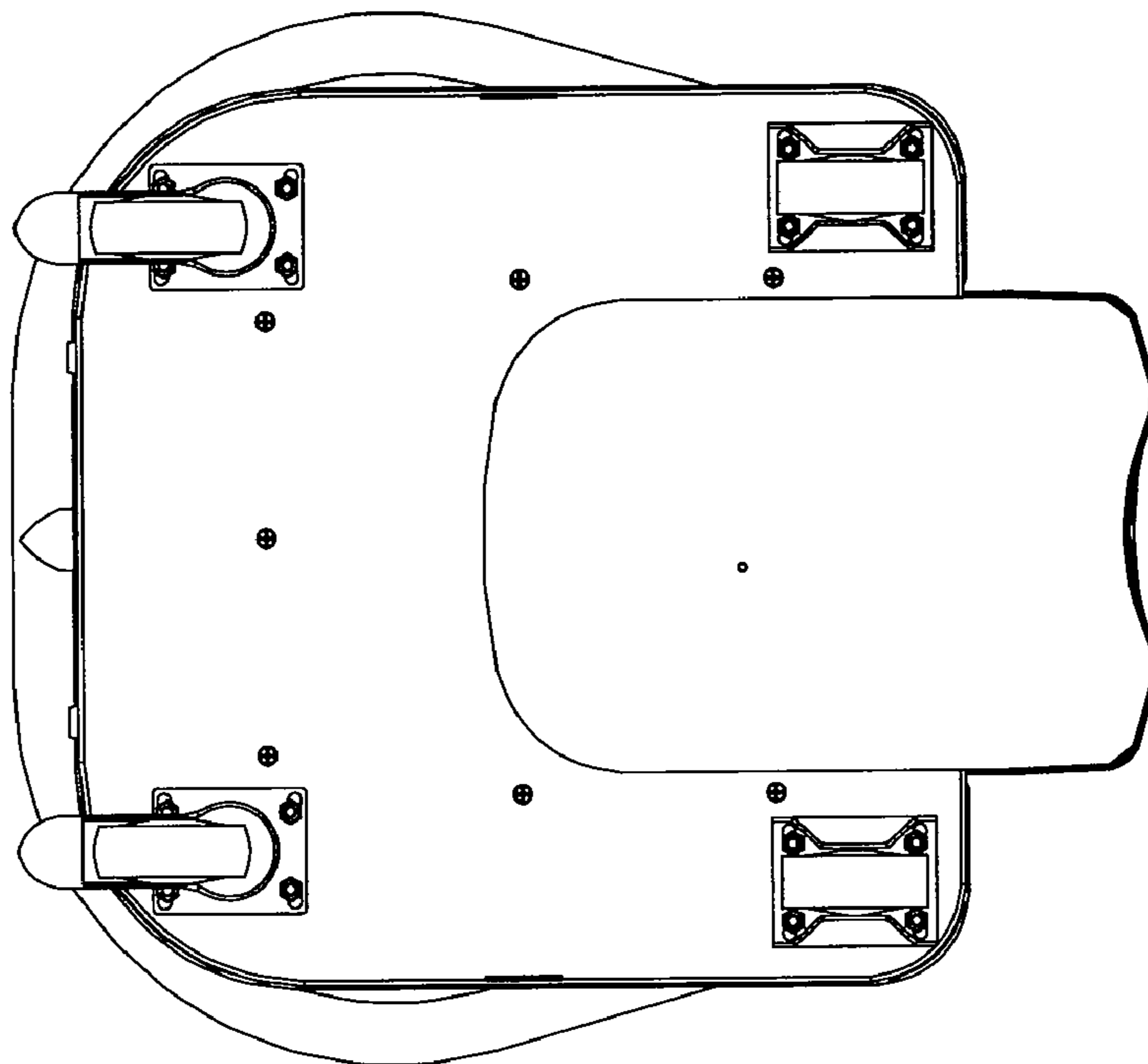


FIG. 16



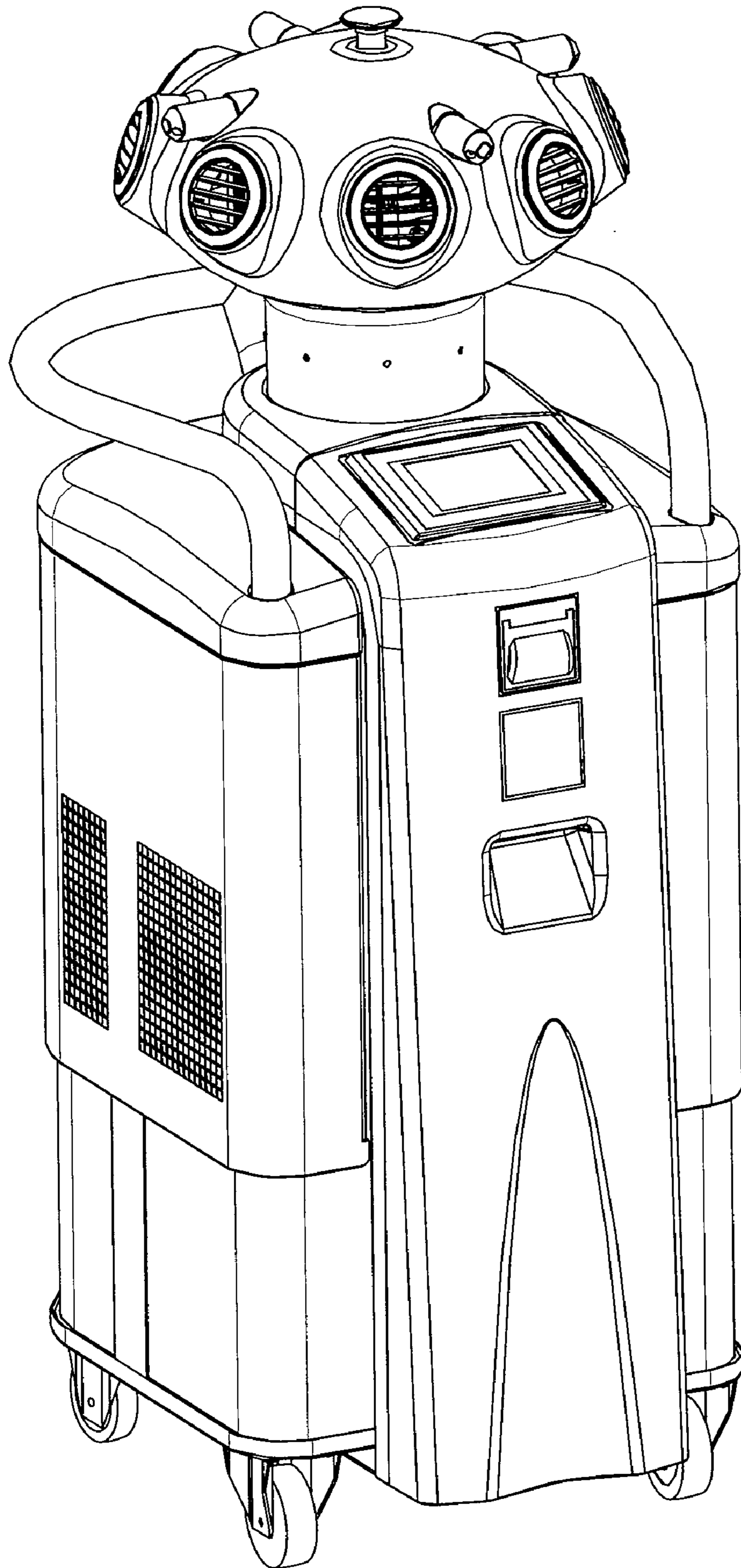


FIG. 17

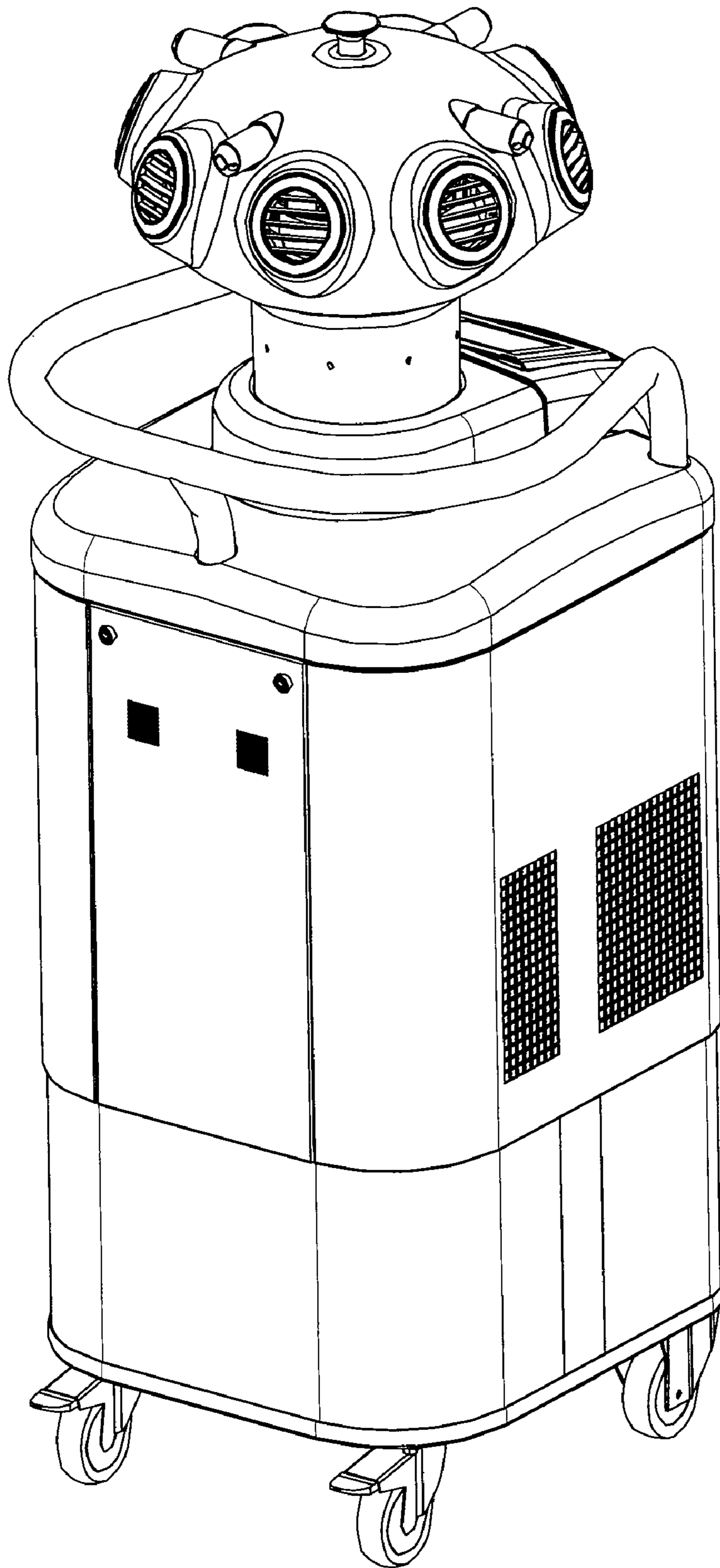


FIG. 18

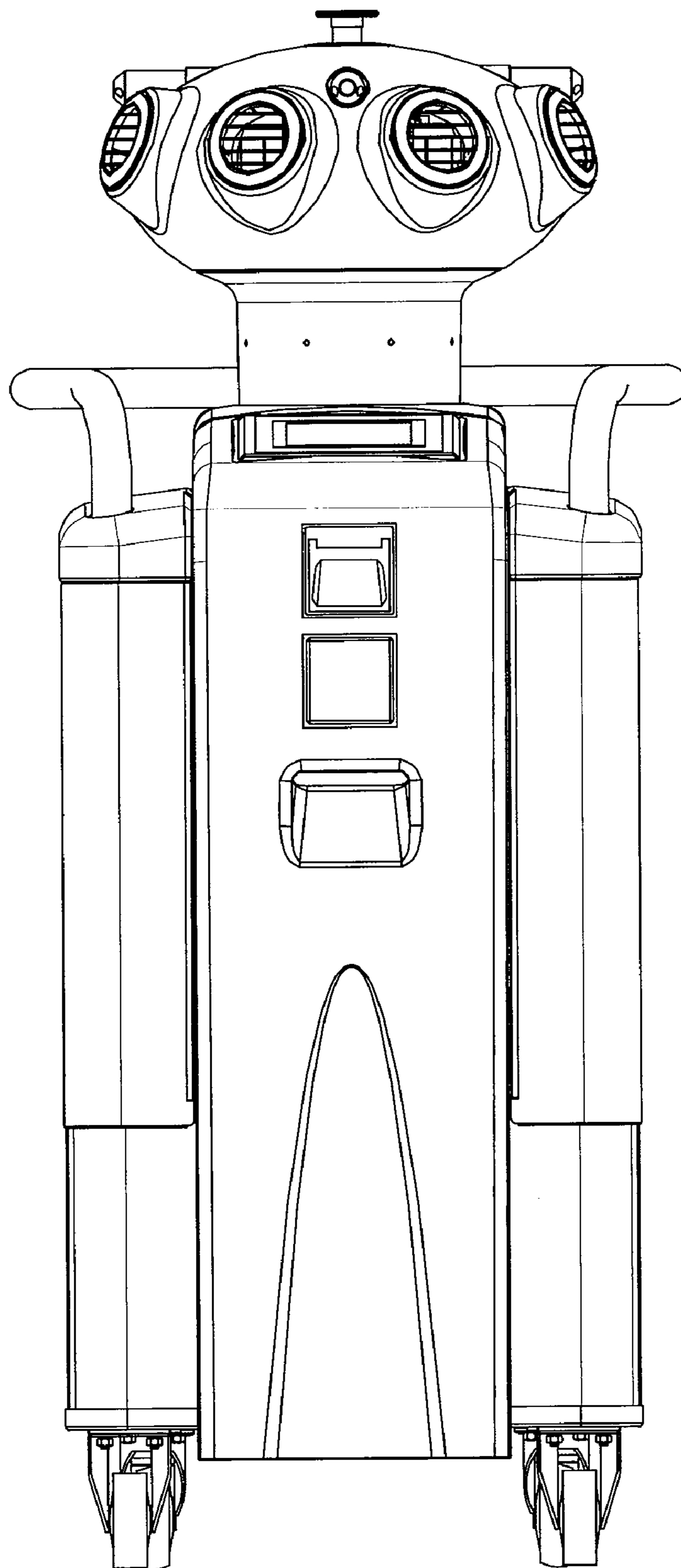


FIG. 19

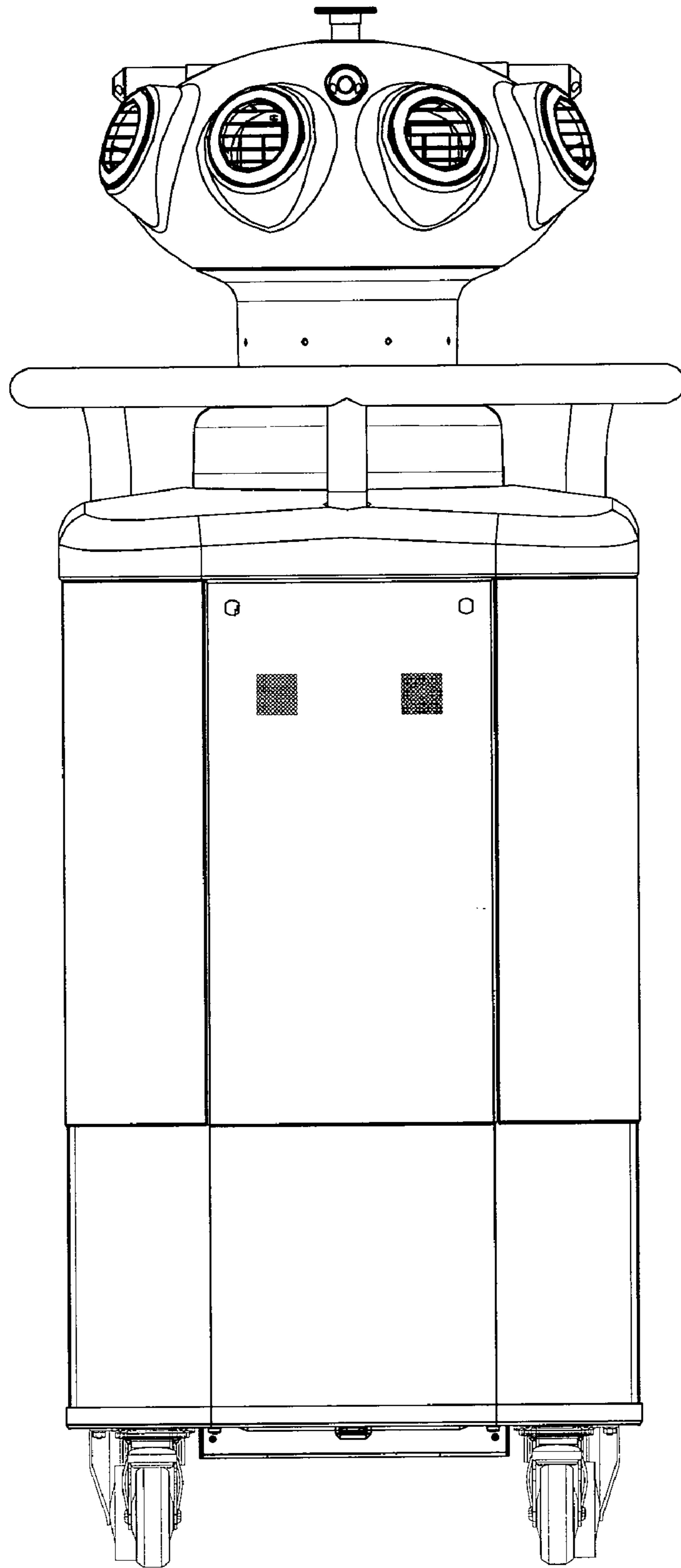


FIG. 20

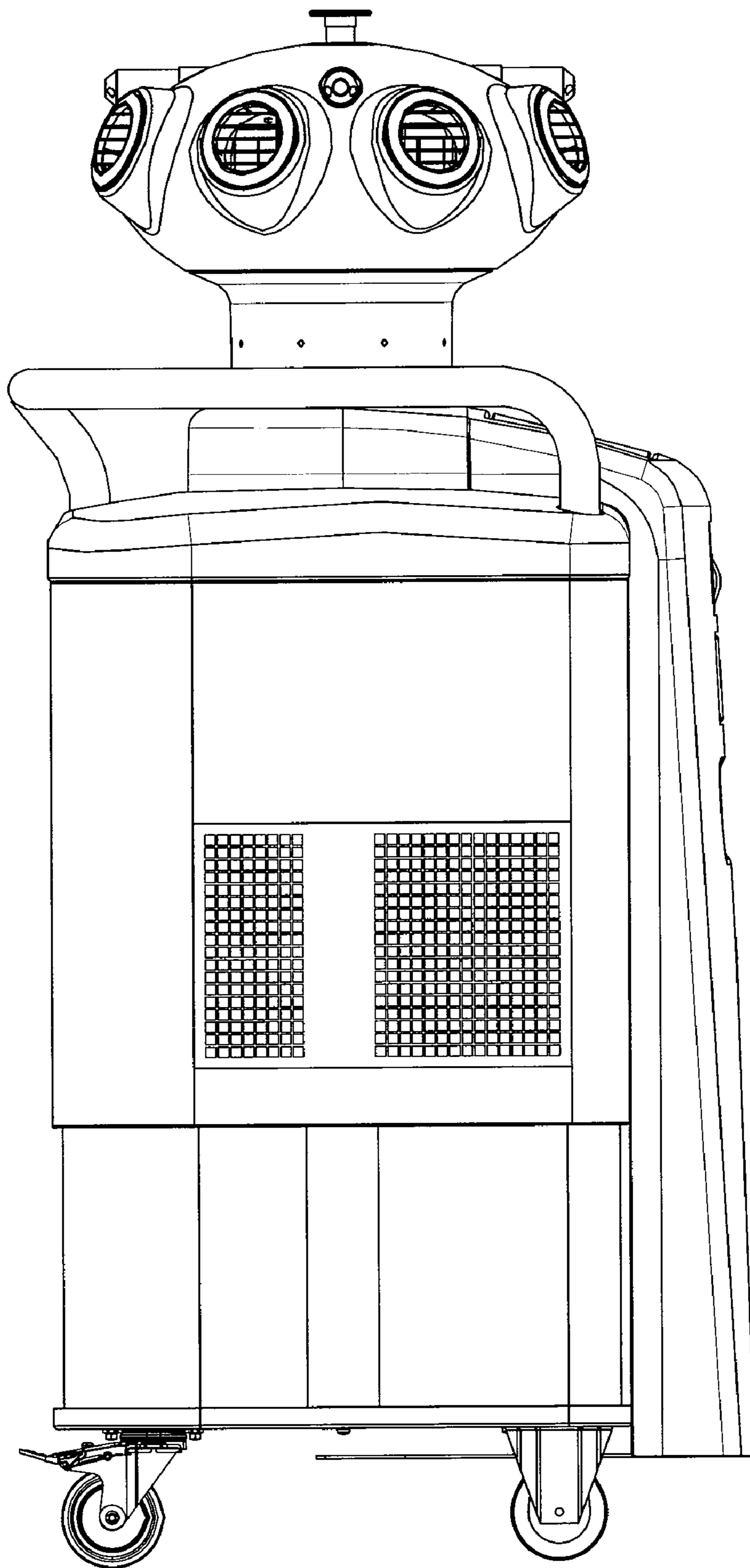


FIG. 21

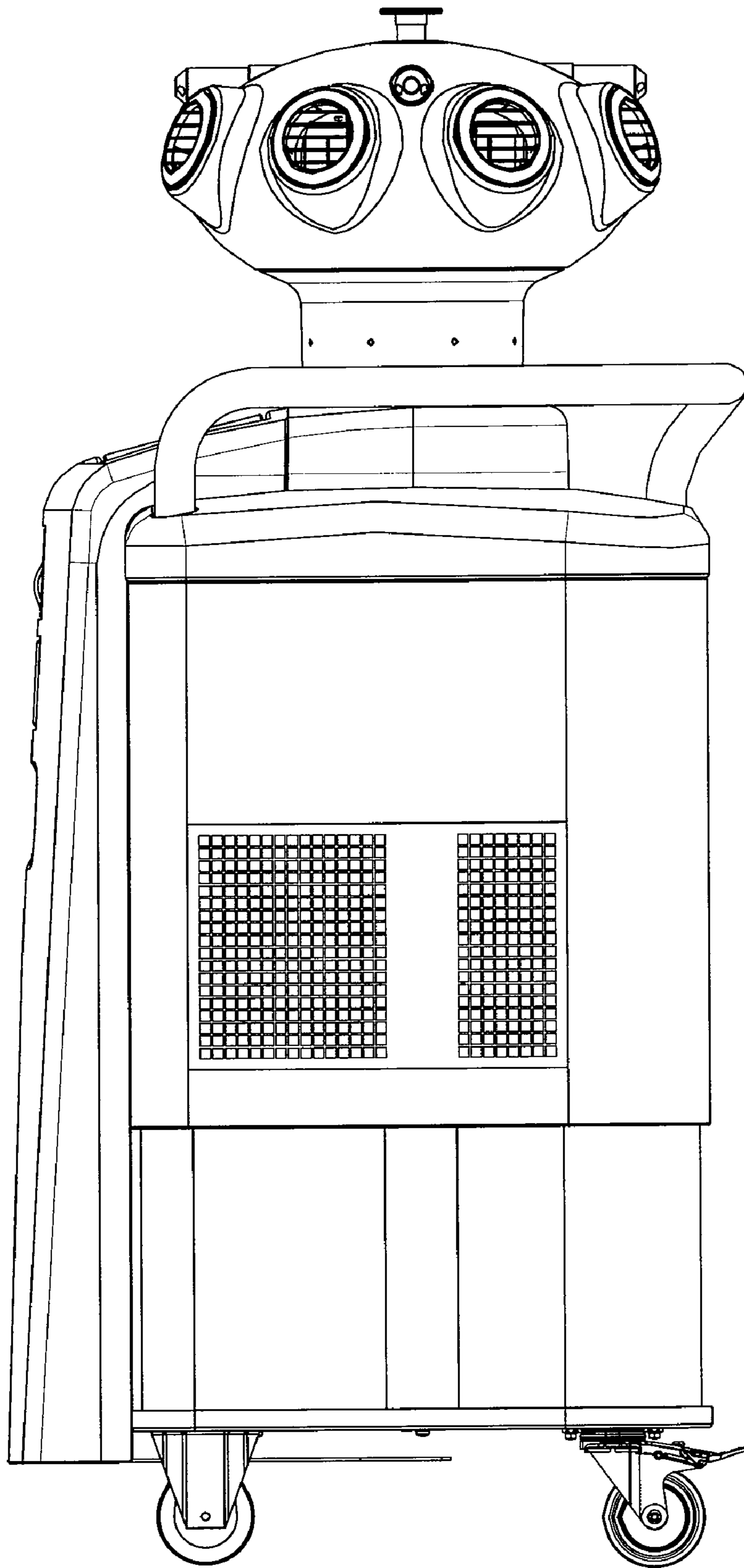


FIG. 22

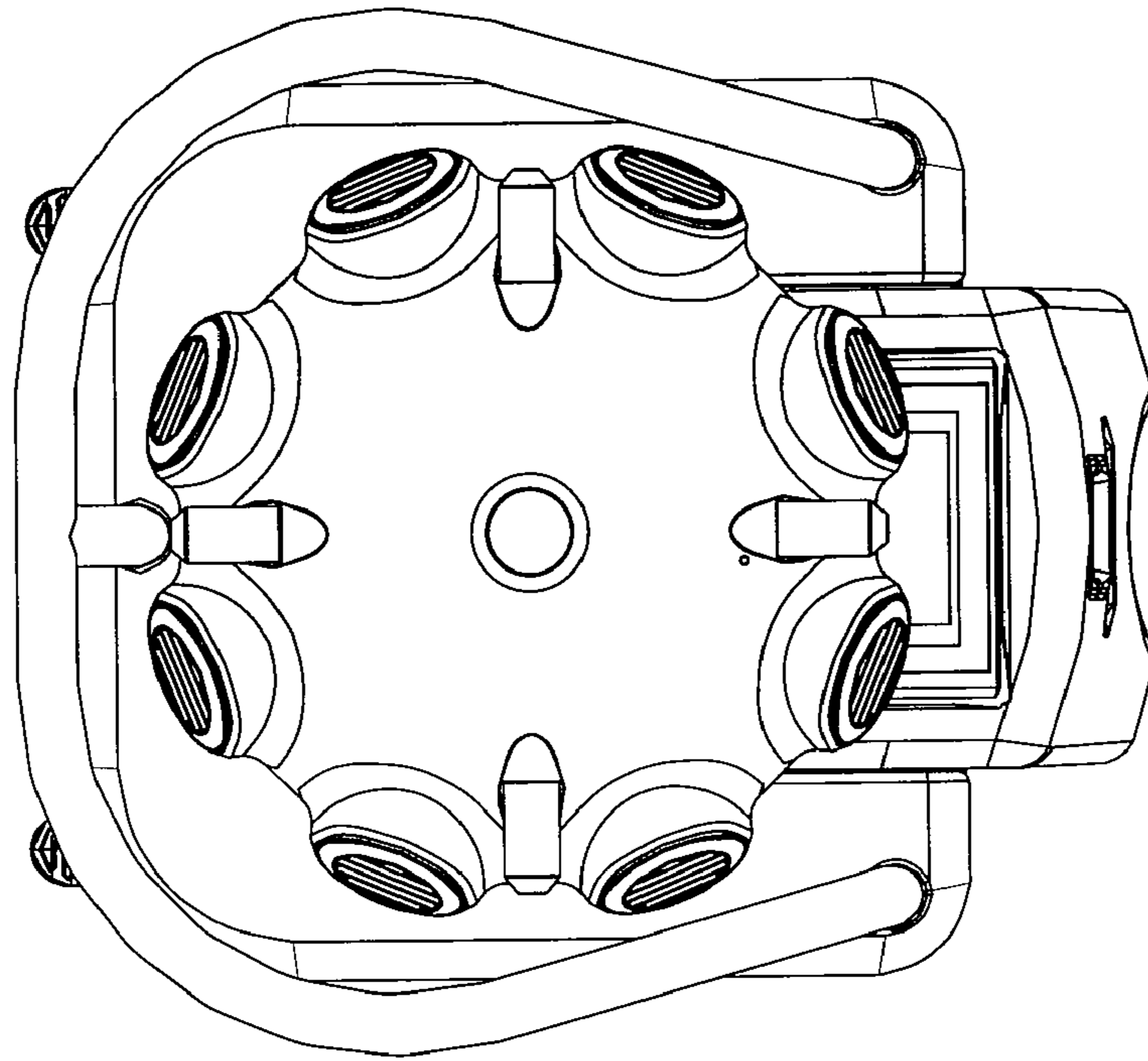


FIG. 23

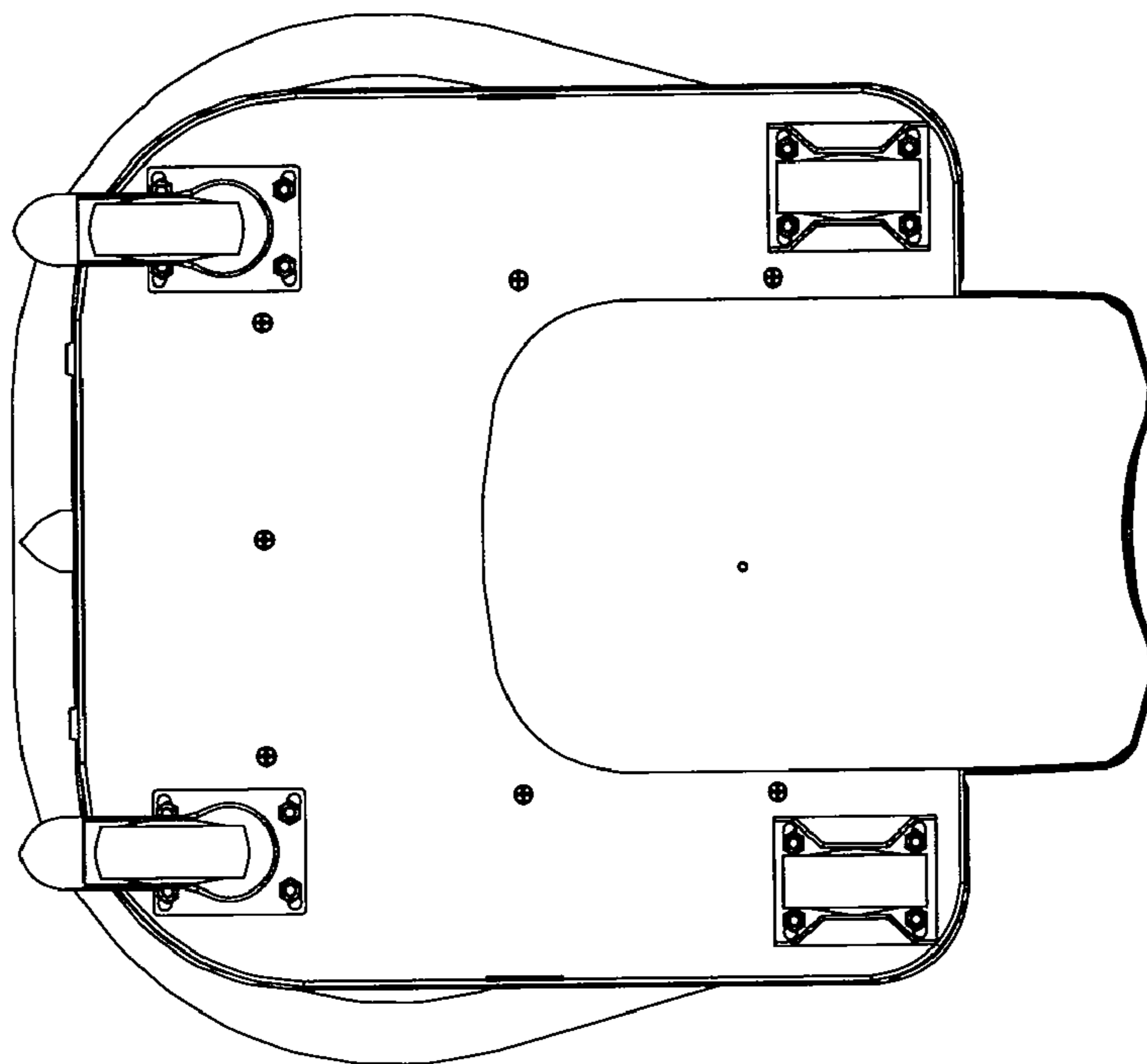


FIG. 24