



US00D595822S

(12) **United States Design Patent**
Chiu

(10) **Patent No.:** **US D595,822 S**

(45) **Date of Patent:** **** Jul. 7, 2009**

(54) **WINDOW AIR CONDITIONER**

(75) Inventor: **Ming Tsung Chiu**, Chung-Ho (TW)

(73) Assignee: **New Widetech Industries Co., Ltd.**,
Taipei Hsien (TW)

(**) Term: **14 Years**

(21) Appl. No.: **29/326,814**

(22) Filed: **Oct. 24, 2008**

(51) **LOC (9) Cl.** **23-04**

(52) **U.S. Cl.** **D23/353**

(58) **Field of Classification Search** D23/351-354;
312/236; 62/259.1, 259.4, 262-263, 304;
454/330-331, 349-350

See application file for complete search history.

(56) **References Cited**

U.S. PATENT DOCUMENTS

D534,261 S * 12/2006 Oh et al. D23/353
D534,638 S * 1/2007 Ryu et al. D23/353
D539,890 S * 4/2007 Jeong et al. D23/353

D562,955 S * 2/2008 Choi D23/353

* cited by examiner

Primary Examiner—Brian N Vinson

(74) *Attorney, Agent, or Firm*—Law Offices of Khalilian Sira

(57) **CLAIM**

The ornamental design for a window air conditioner, as shown and described.

DESCRIPTION

FIG. 1 is a top perspective view of a window air conditioner showing my new design;

FIG. 2 is a front view thereof;

FIG. 3 is a rear view thereof;

FIG. 4 is a left view thereof;

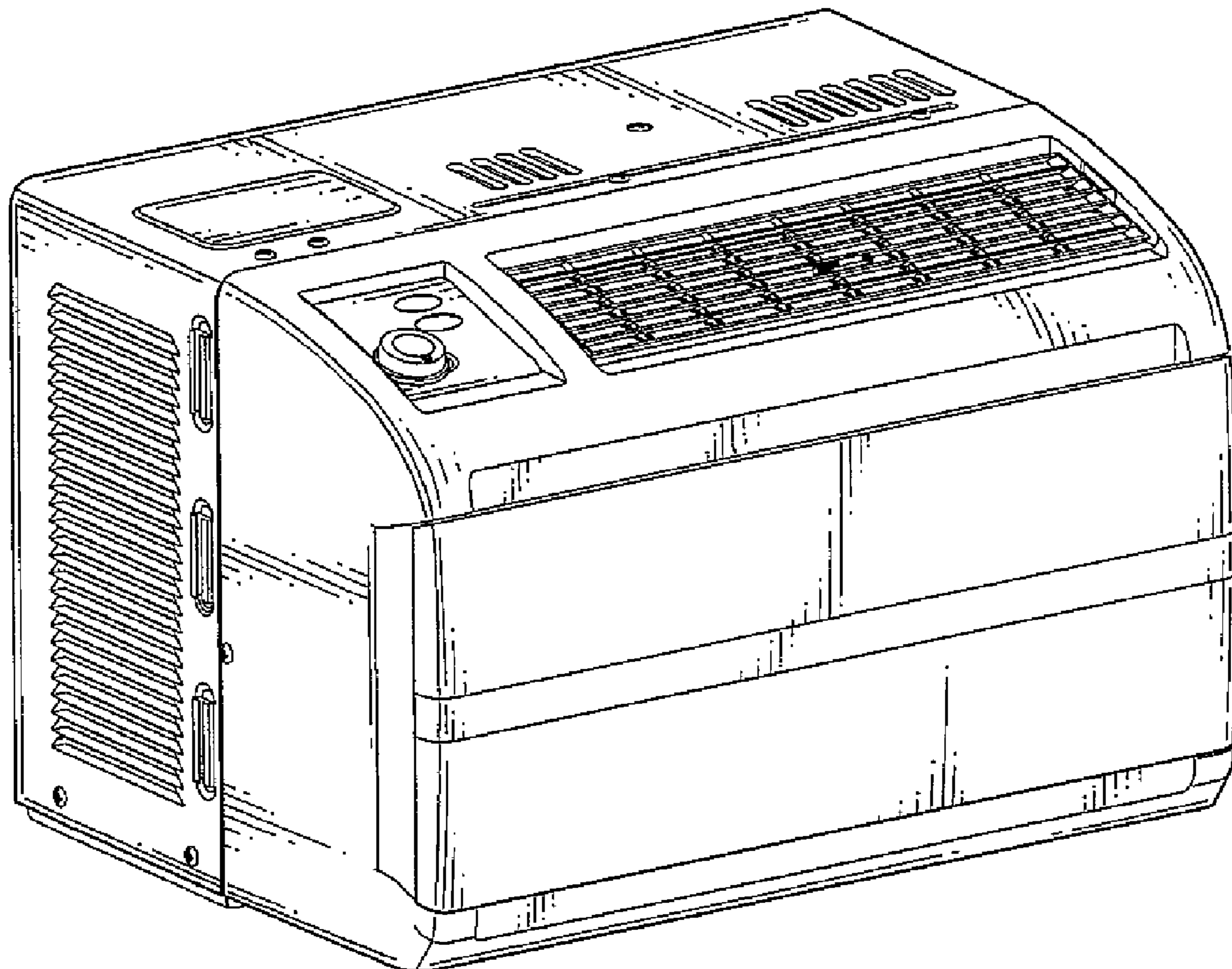
FIG. 5 is a right view thereof;

FIG. 6 is a top view thereof;

FIG. 7 is a bottom view thereof; and,

FIG. 8 is a bottom perspective view thereof.

1 Claim, 5 Drawing Sheets



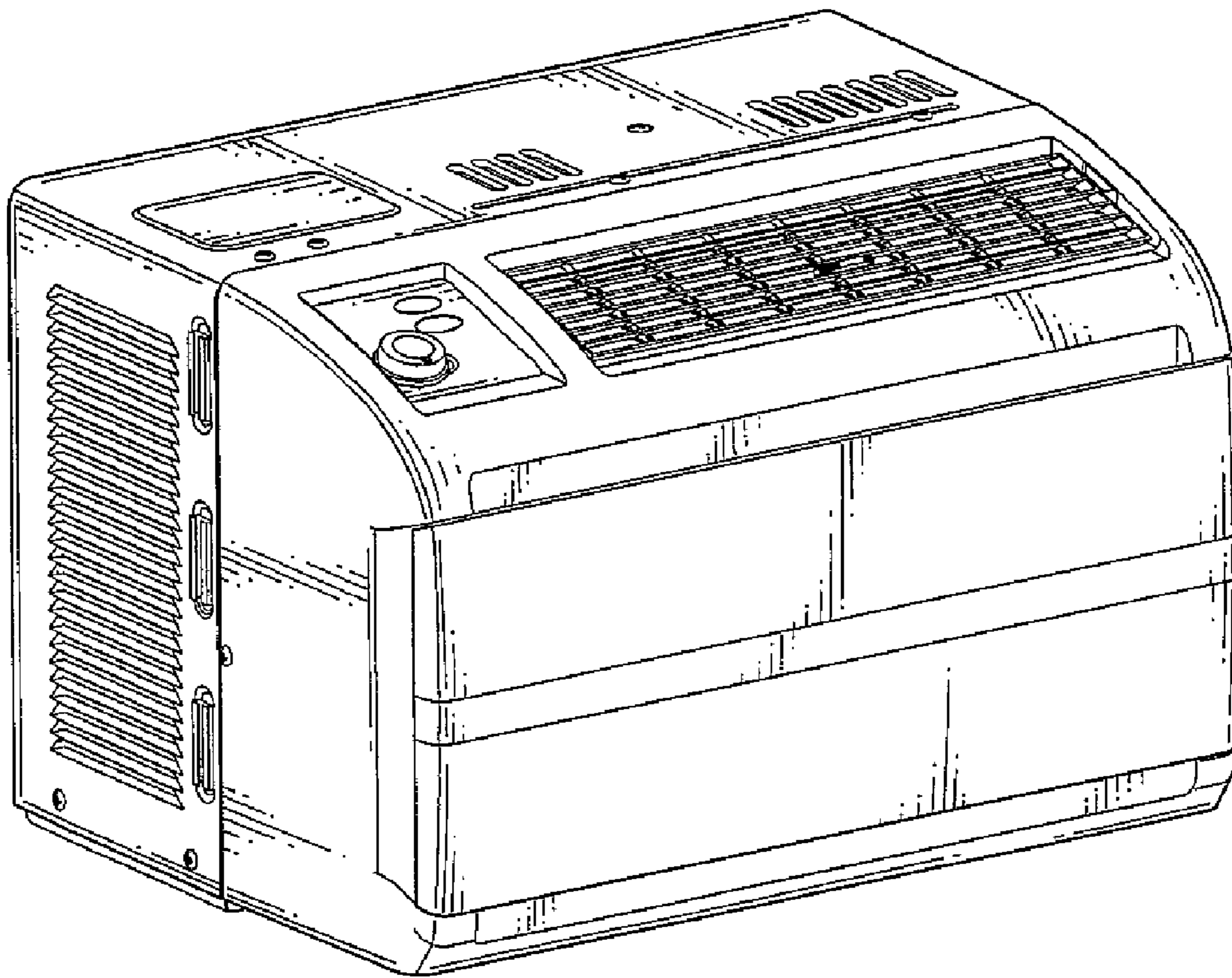


FIG. 1

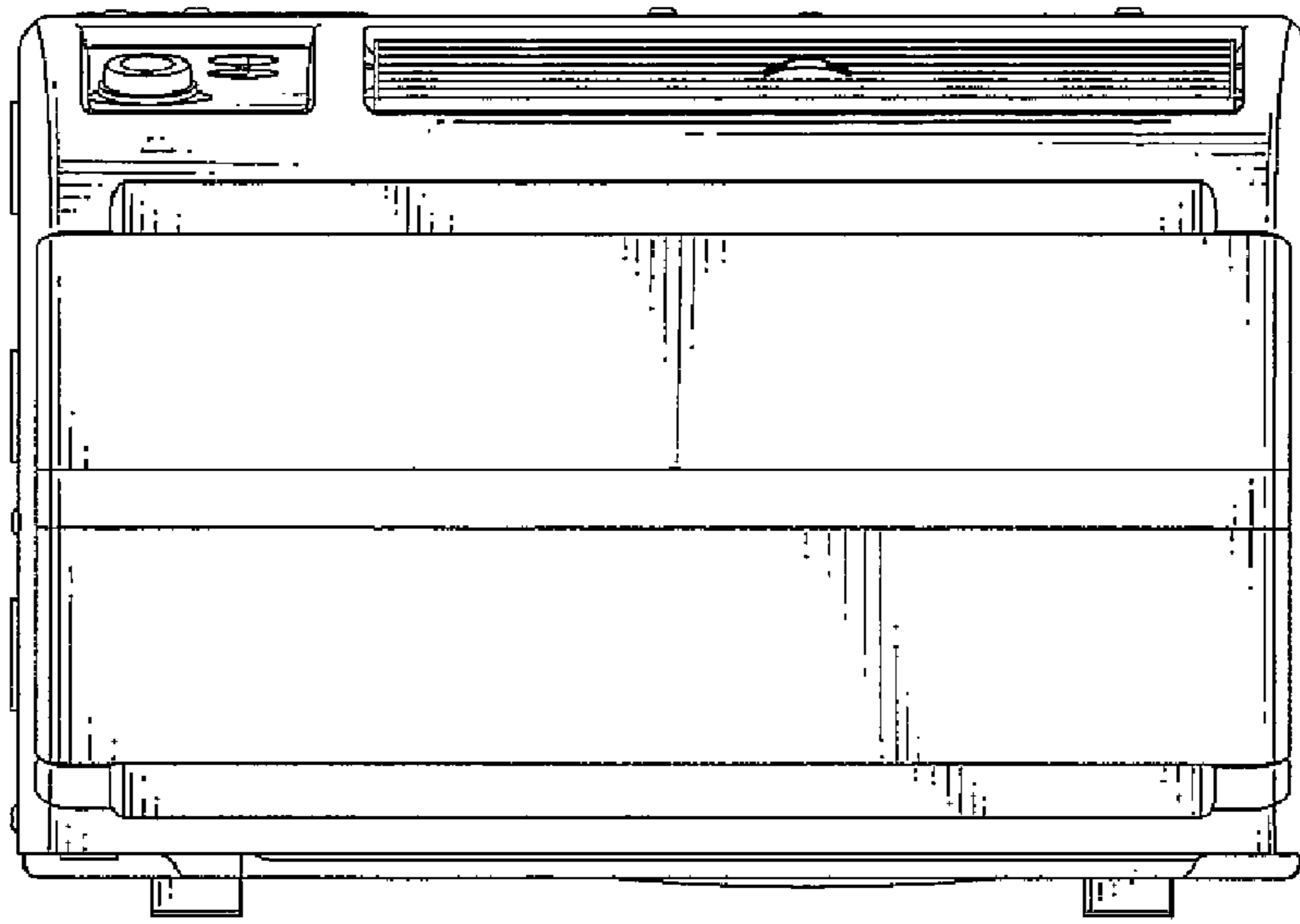


FIG. 2

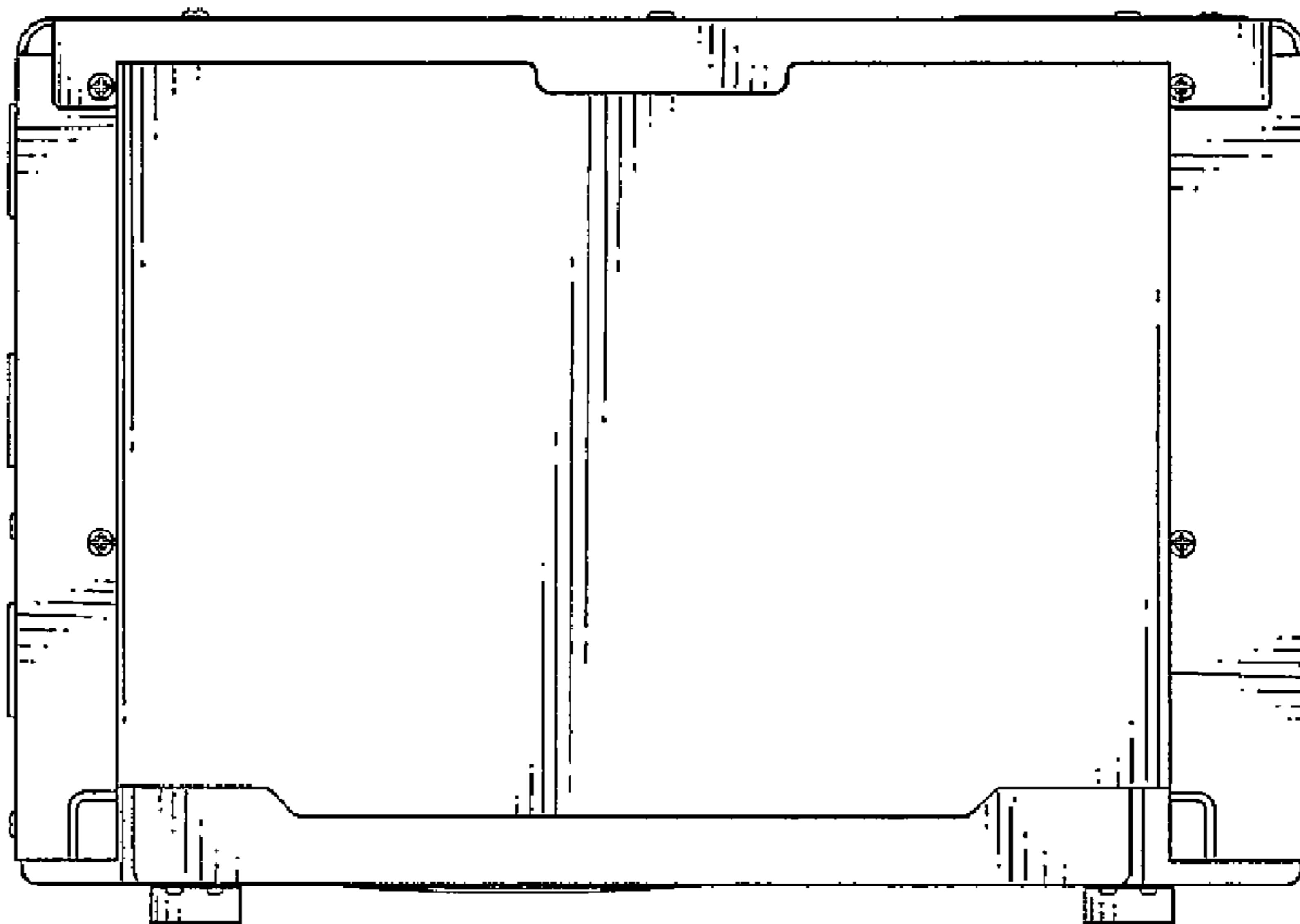


FIG. 3

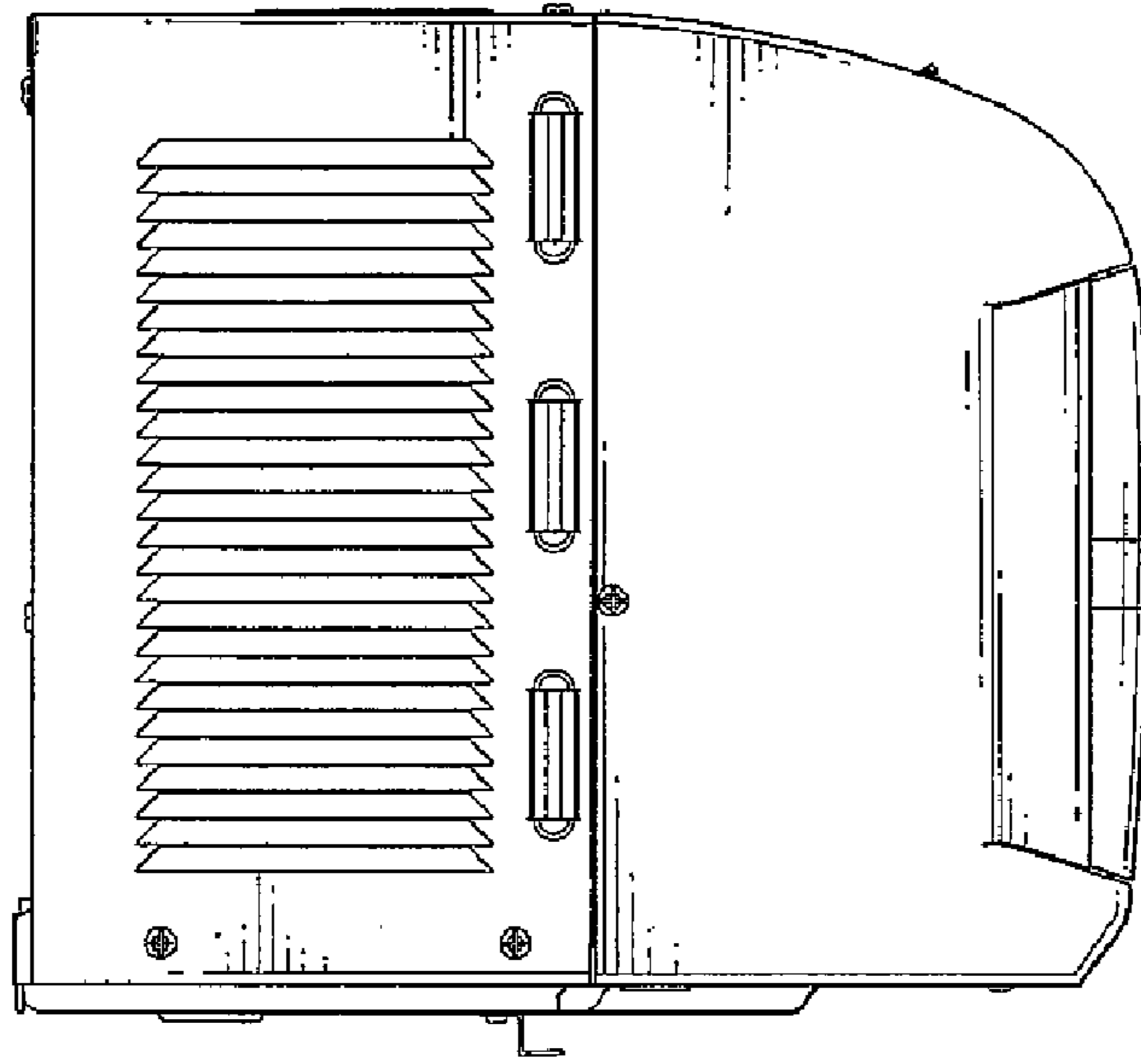


FIG. 4

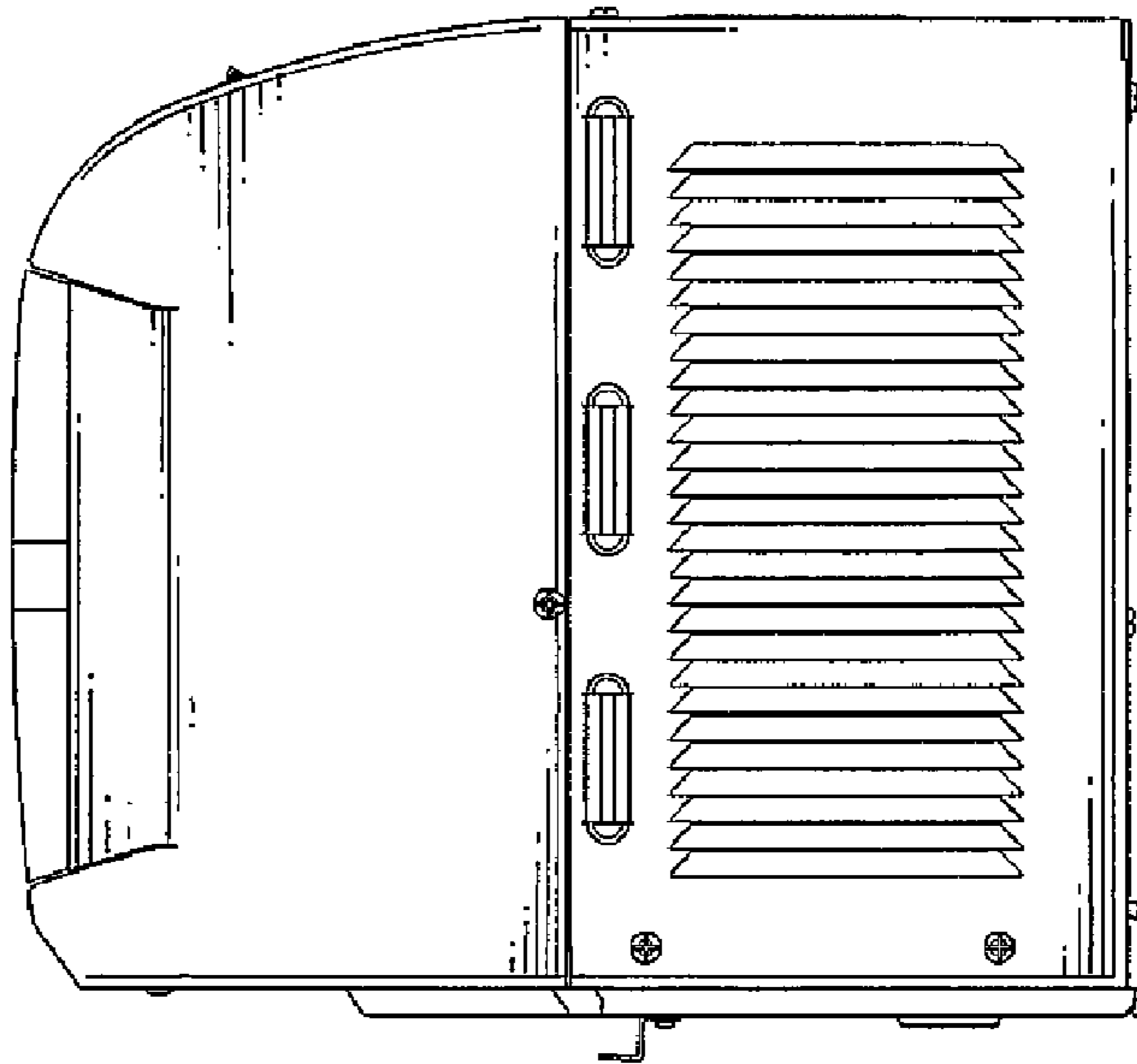


FIG. 5

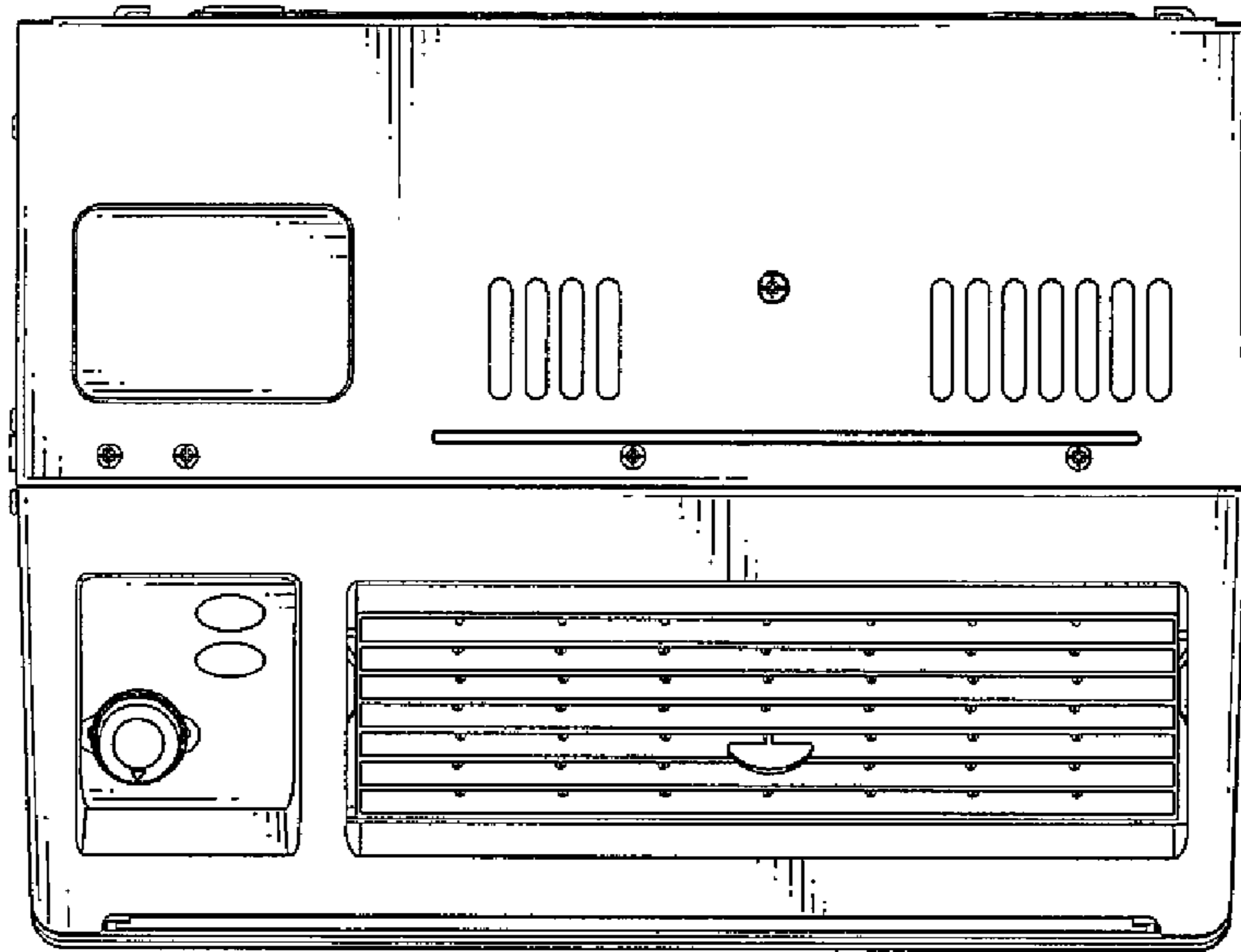


FIG. 6

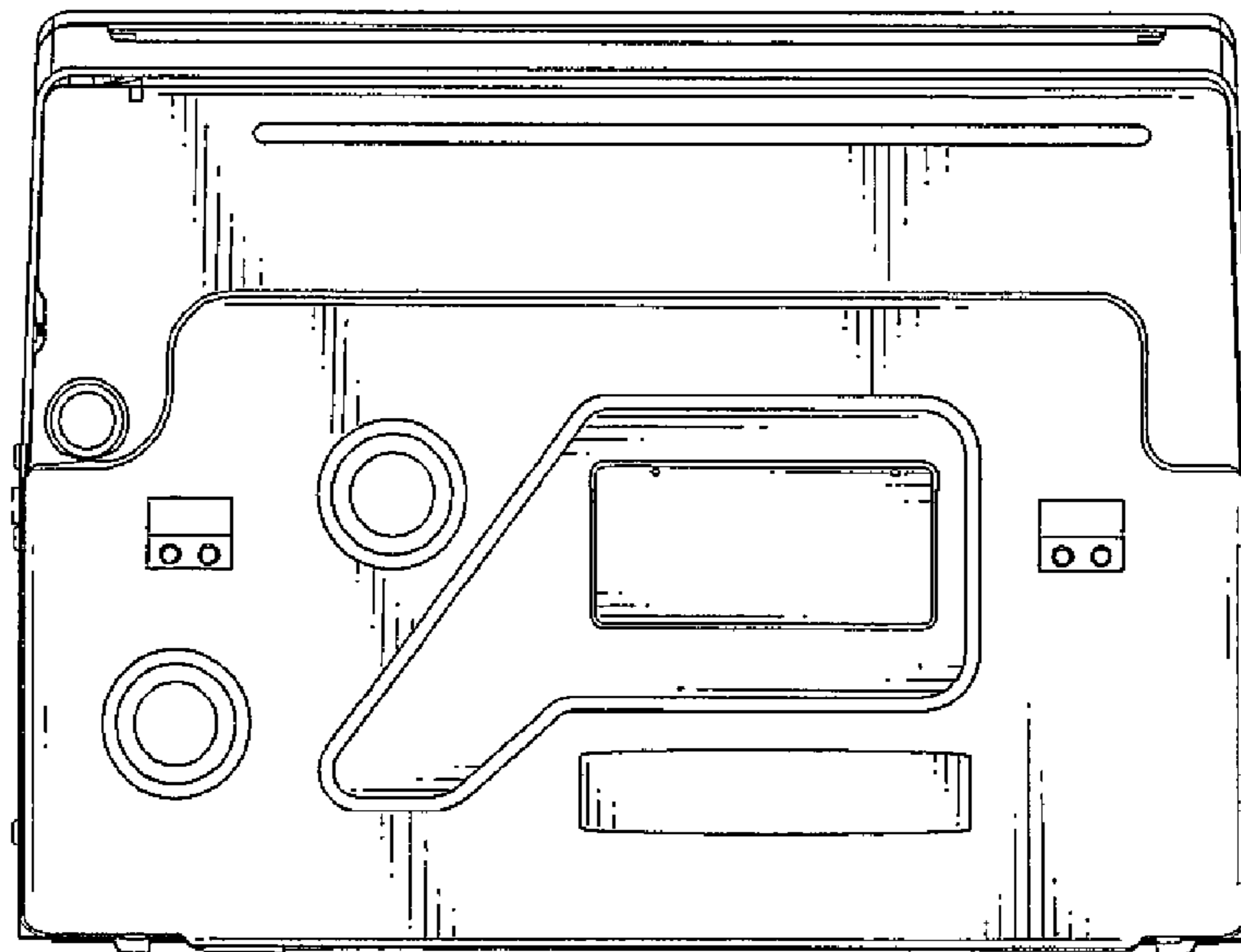


FIG. 7

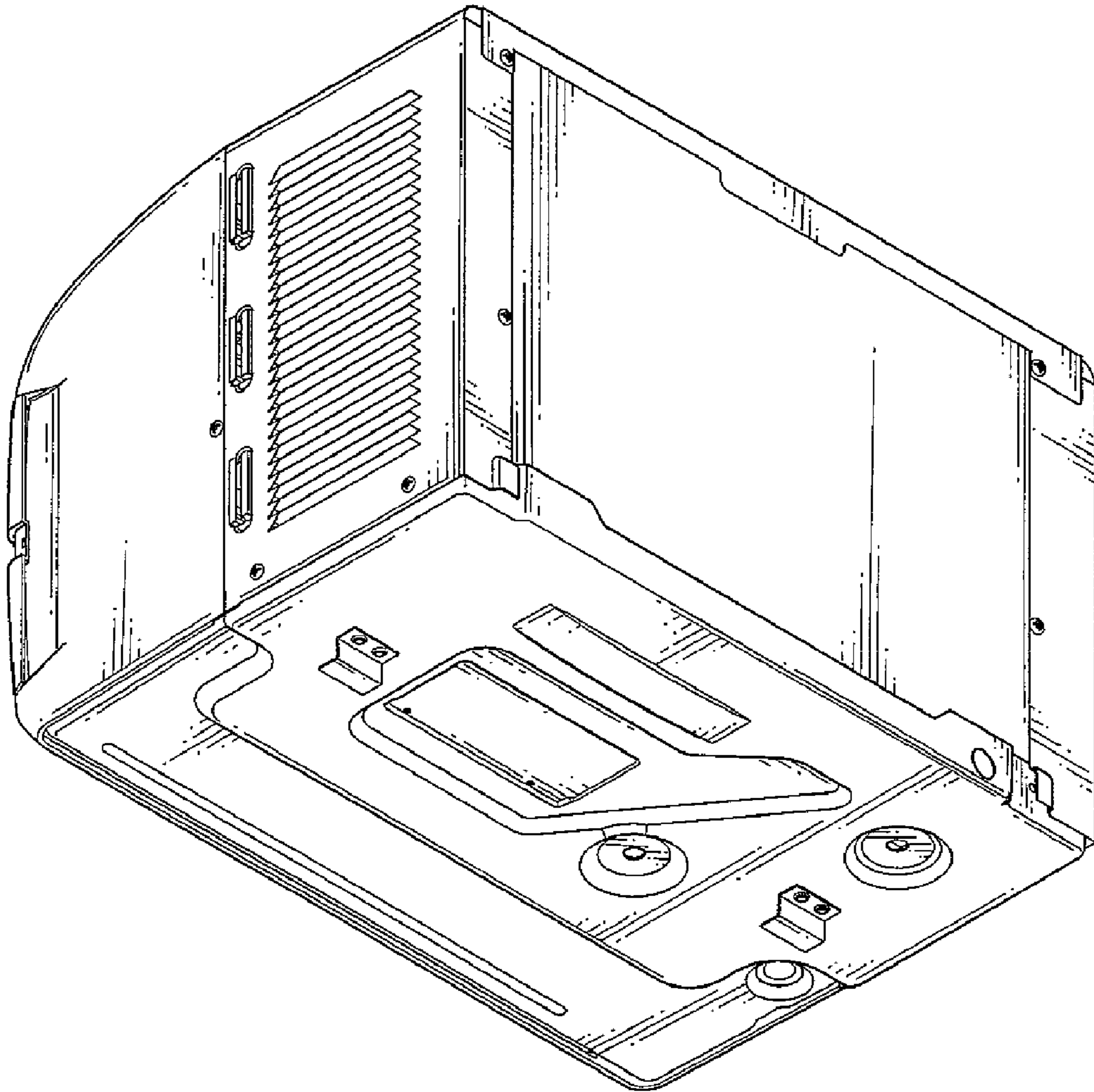


FIG. 8