



US00D595820S

(12) **United States Design Patent**  
**Davis**

(10) **Patent No.:** **US D595,820 S**

(45) **Date of Patent:** **\*\* Jul. 7, 2009**

(54) **COMMODE**

(76) **Inventor:** **Connie S. Davis**, 5315 Briar Tree Dr.,  
Dallas, TX (US) 75248

(\*\*) **Term:** **14 Years**

(21) **Appl. No.:** **29/275,592**

(22) **Filed:** **Dec. 29, 2006**

(51) **LOC (9) Cl.** ..... **23-02**

(52) **U.S. Cl.** ..... **D23/309**

(58) **Field of Classification Search** ..... D23/295,  
D23/301, 303, 309, 299; 4/664, 300, 420,  
4/DIG. 15; D6/334-336, 381, 492

See application file for complete search history.

(56) **References Cited**

**U.S. PATENT DOCUMENTS**

D66,697 S *	2/1925	McCargar	.....	D6/379
D78,918 S *	7/1929	Bauer	.....	D6/381
3,887,234 A *	6/1975	Curtis et al.	.....	D6/492
D465,679 S *	11/2002	Hammonds et al.	.....	D6/501
D501,340 S *	2/2005	Grossman et al.	.....	D6/492
D509,374 S *	9/2005	Adair et al.	.....	D6/381
D516,337 S *	3/2006	Reza-Hadden	.....	D6/381
D548,470 S *	8/2007	Lowsky	.....	D6/334

D556,305 S *	11/2007	Genord et al.	.....	D23/309
D557,532 S *	12/2007	True et al.	.....	D6/366
D567,532 S *	4/2008	Lamb et al.	.....	D6/381

**OTHER PUBLICATIONS**

Consumer Medhelp, Inc., Bathroom Safety—Bedside  
Commodes—Featuring: The Uplift Commode Assist, [http://www.  
consumermedhelp.com/commodes.html](http://www.consumermedhelp.com/commodes.html), 11 pages, Houston, Texas.

\* cited by examiner

*Primary Examiner*—Robert A Delehanty

(74) *Attorney, Agent, or Firm*—Haynes and Boone, LLP

(57) **CLAIM**

The ornamental design for a commode, as shown and  
described.

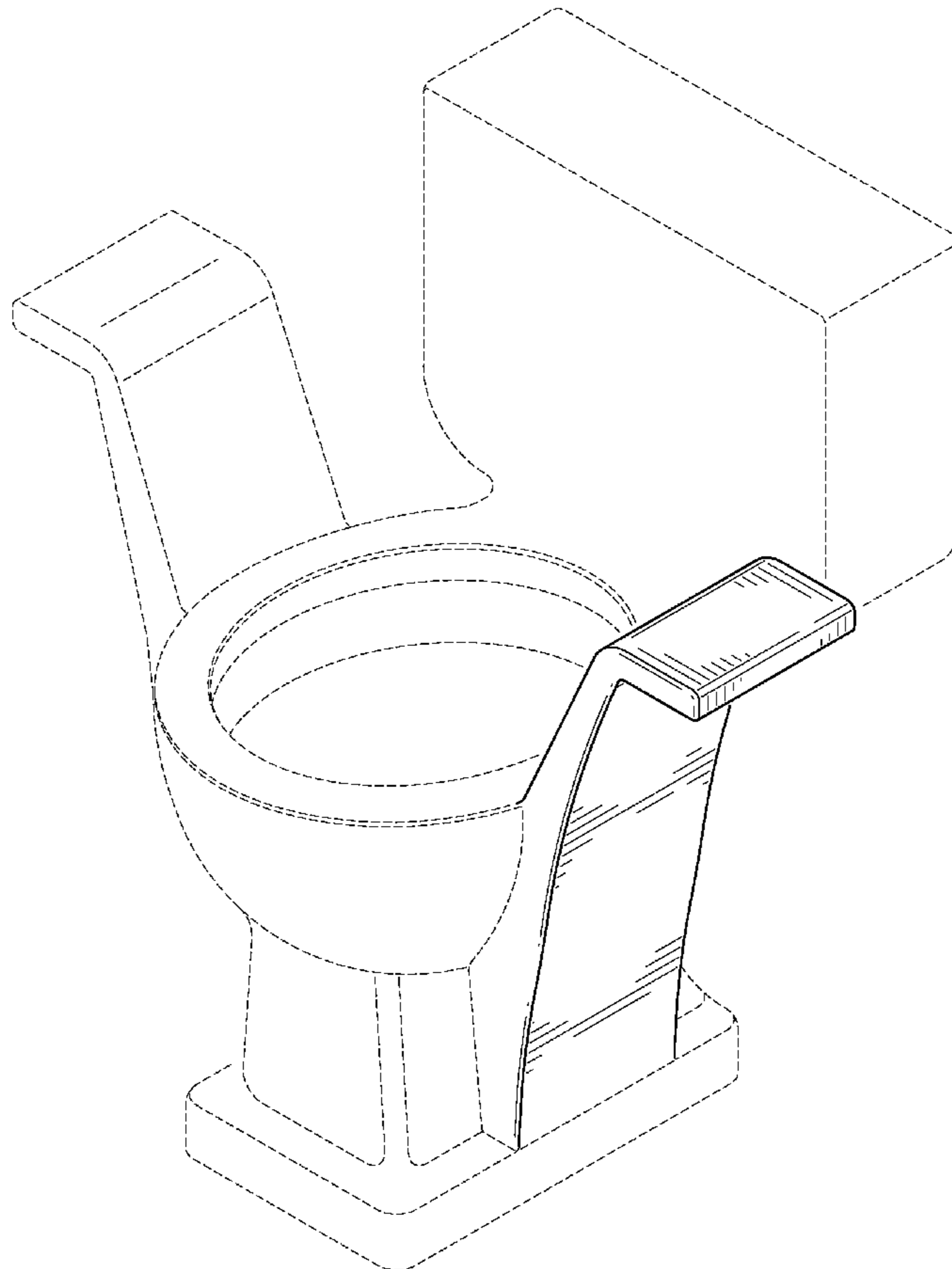
**DESCRIPTION**

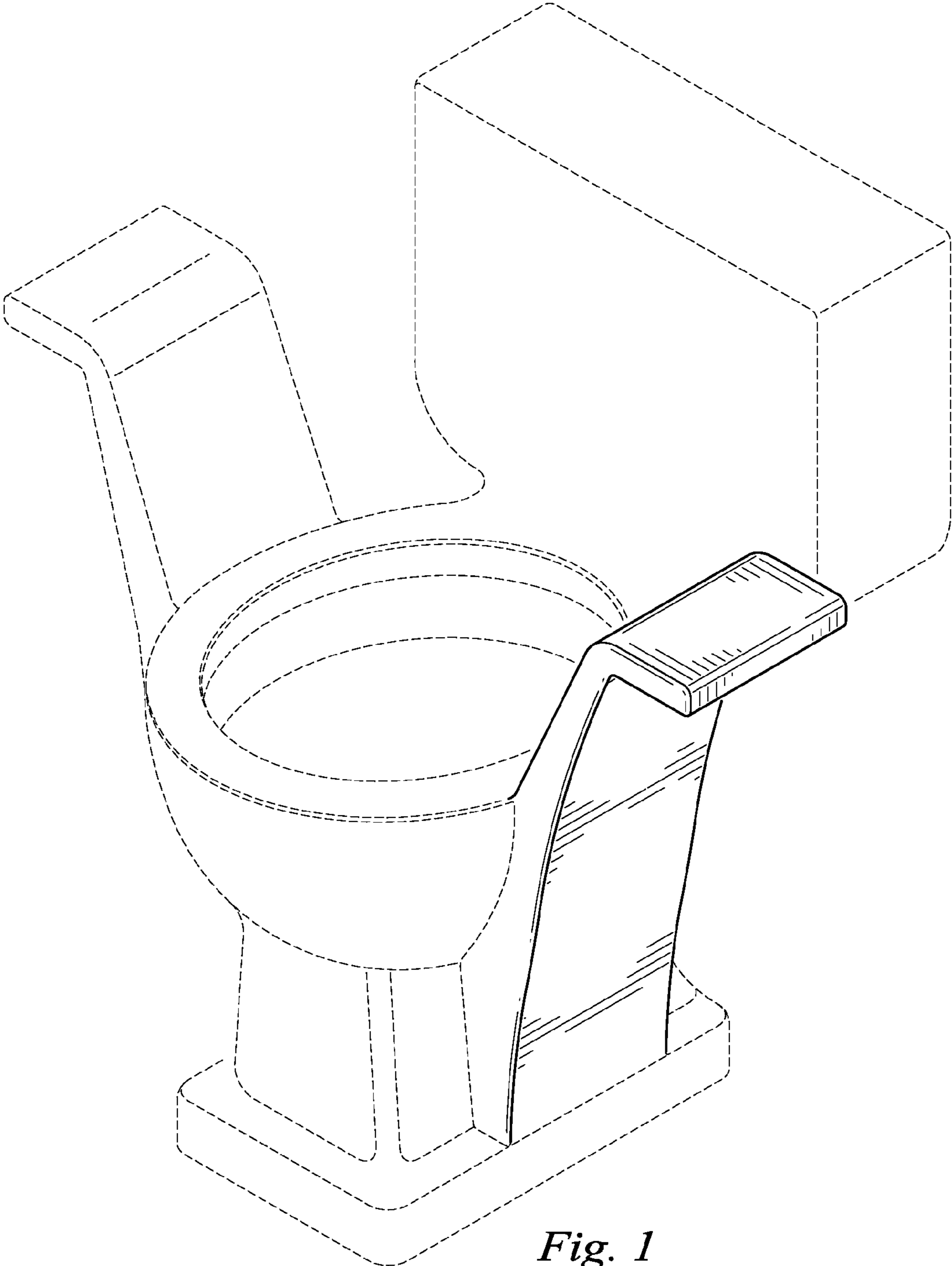
FIG. 1 is an isometric view of a commode showing my new  
design; the broken lines which define the bounds of the  
claimed design form no part thereof; and,

FIG. 2 is an elevation view thereof, shown broken away for  
clarity of illustration thereof.

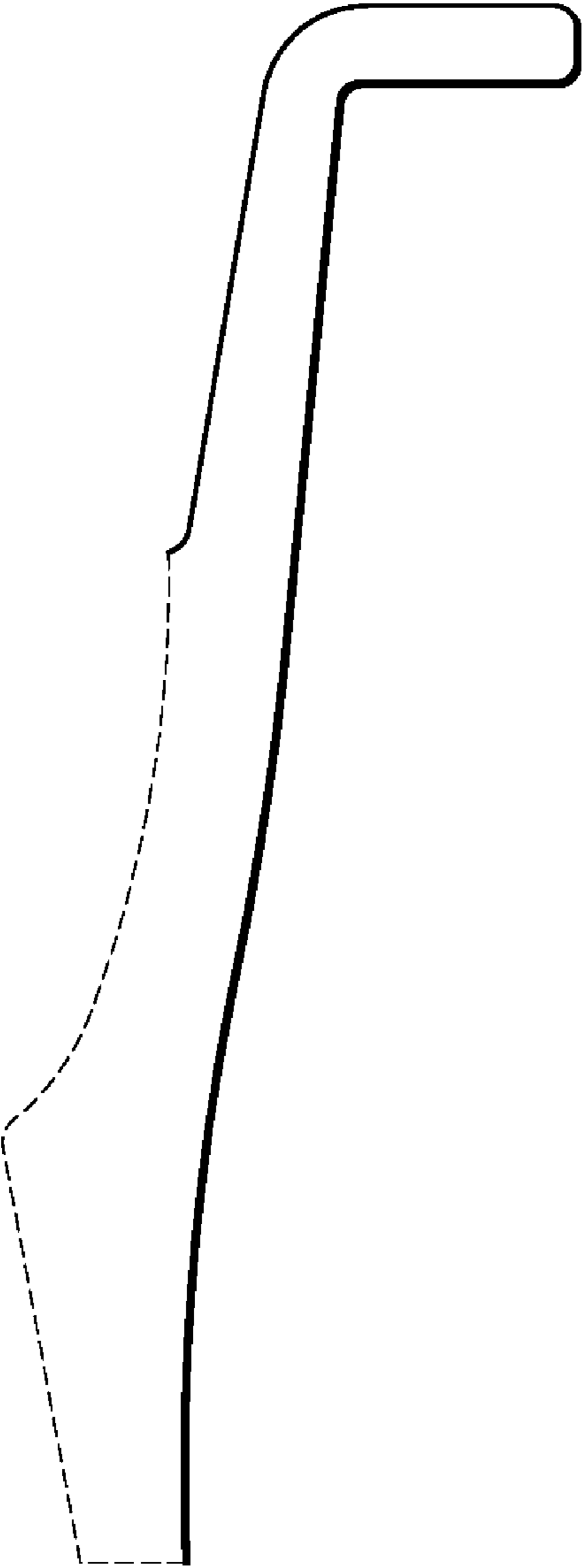
The broken lines showing of the body of a commode are for  
illustrative purposes and form no part of the claimed design.

**1 Claim, 2 Drawing Sheets**





*Fig. 1*



*Fig. 2*