

US00D595819S

(12) **United States Design Patent**
Davis

(10) **Patent No.:** **US D595,819 S**

(45) **Date of Patent:** **** Jul. 7, 2009**

(54) **COMMODE**

(76) **Inventor:** **Connie S. Davis**, 5315 Briar Tree Dr.,
Dallas, TX (US) 75248

(**) **Term:** **14 Years**

(21) **Appl. No.:** **29/265,810**

(22) **Filed:** **Sep. 7, 2006**

(51) **LOC (9) Cl.** **23-02**

(52) **U.S. Cl.** **D23/309**

(58) **Field of Classification Search** D23/295,
D23/301, 303, 309, 299; 4/664, 300, 420,
4/DIG. 15; D6/334-336, 381, 492, 500-501,
D6/355

See application file for complete search history.

(56) **References Cited**

U.S. PATENT DOCUMENTS

D66,697 S *	2/1925	McCargar	D6/379
D78,918 S *	7/1929	Bauer	D6/381
3,887,234 A *	6/1975	Curtis et al.	D6/492
D465,679 S *	11/2002	Hammonds et al.	D6/501
D501,340 S *	2/2005	Grossman et al.	D6/492
D509,374 S *	9/2005	Adair et al.	D6/381
D516,337 S *	3/2006	Reza-Hadden	D6/381
D548,470 S *	8/2007	Lowsky	D6/334

D556,305 S *	11/2007	Genord et al.	D23/309
D557,532 S *	12/2007	True et al.	D6/366
D567,532 S *	4/2008	Lamb et al.	D6/381

OTHER PUBLICATIONS

Consumer Medhelp, Inc., Bathroom Safety—Bedside
Commodes—Featuring: The Uplift Commode Assist, [http://www.
consumermedhelp.com/commodes.html](http://www.consumermedhelp.com/commodes.html), 11 pages, Houston, Texas.

* cited by examiner

Primary Examiner—Robert A Delehanty

(74) *Attorney, Agent, or Firm*—Haynes and Boone, LLP

(57) **CLAIM**

The ornamental design for a commode, as shown and
described.

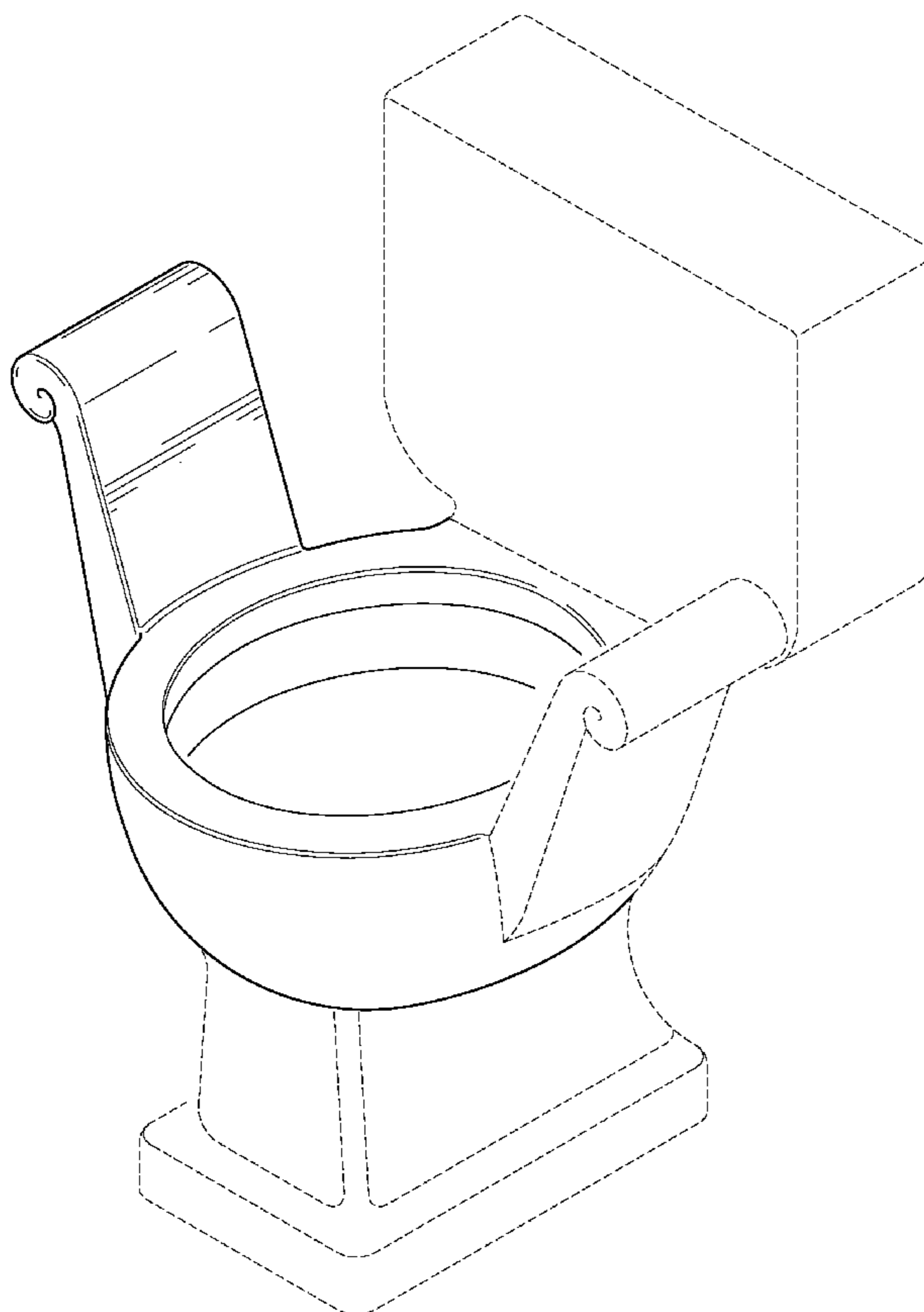
DESCRIPTION

FIG. 1 is an isometric view of a commode showing my new
design; the broken lines which define the bounds of the
claimed design form no part thereof; and,

FIG. 2 is an elevation view thereof, shown broken away for
clarity of illustration thereof.

The broken lines showing of the base and tank of a commode
are for illustrative purposes and form no part of the claimed
design.

1 Claim, 1 Drawing Sheet



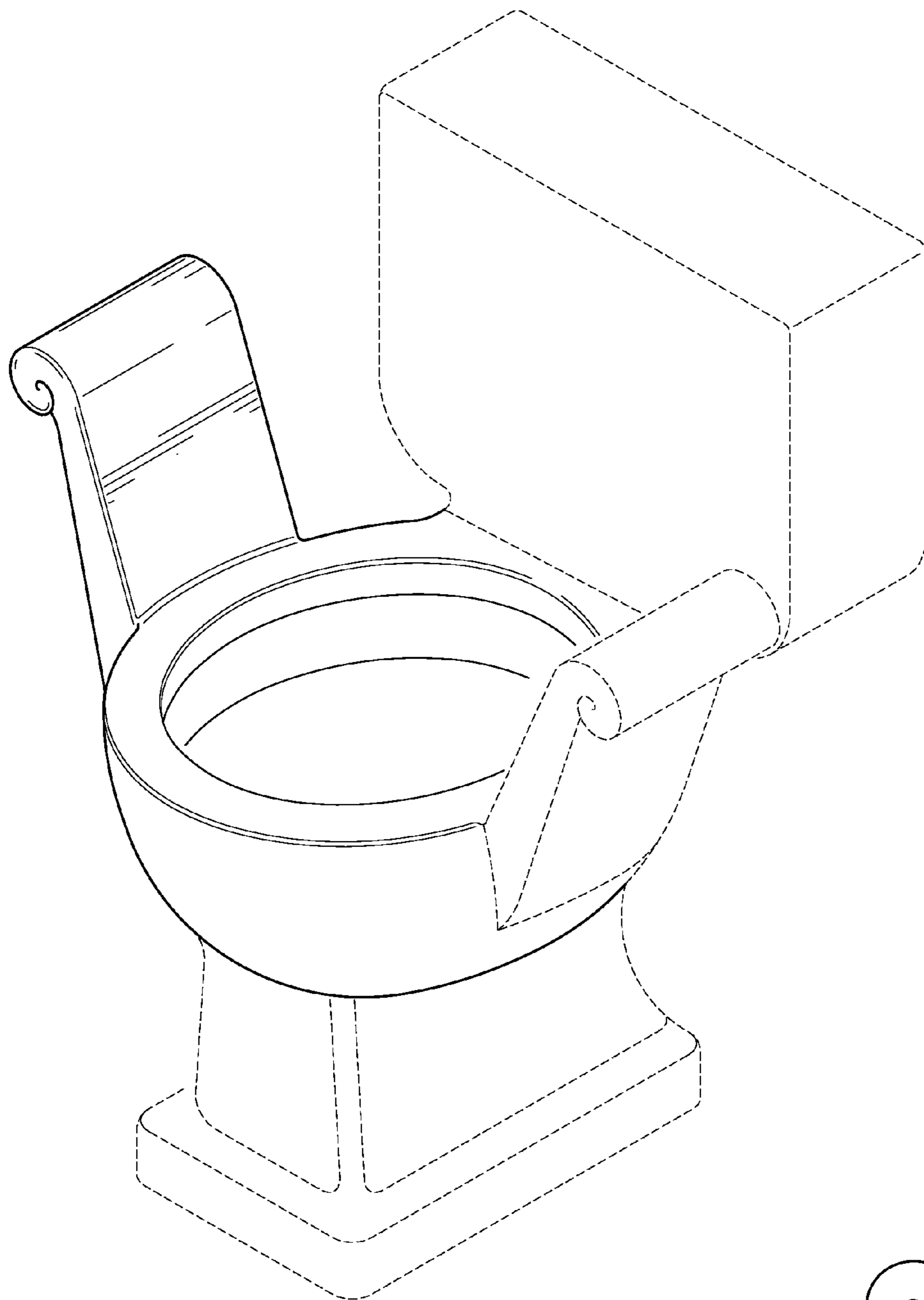


Fig. 1

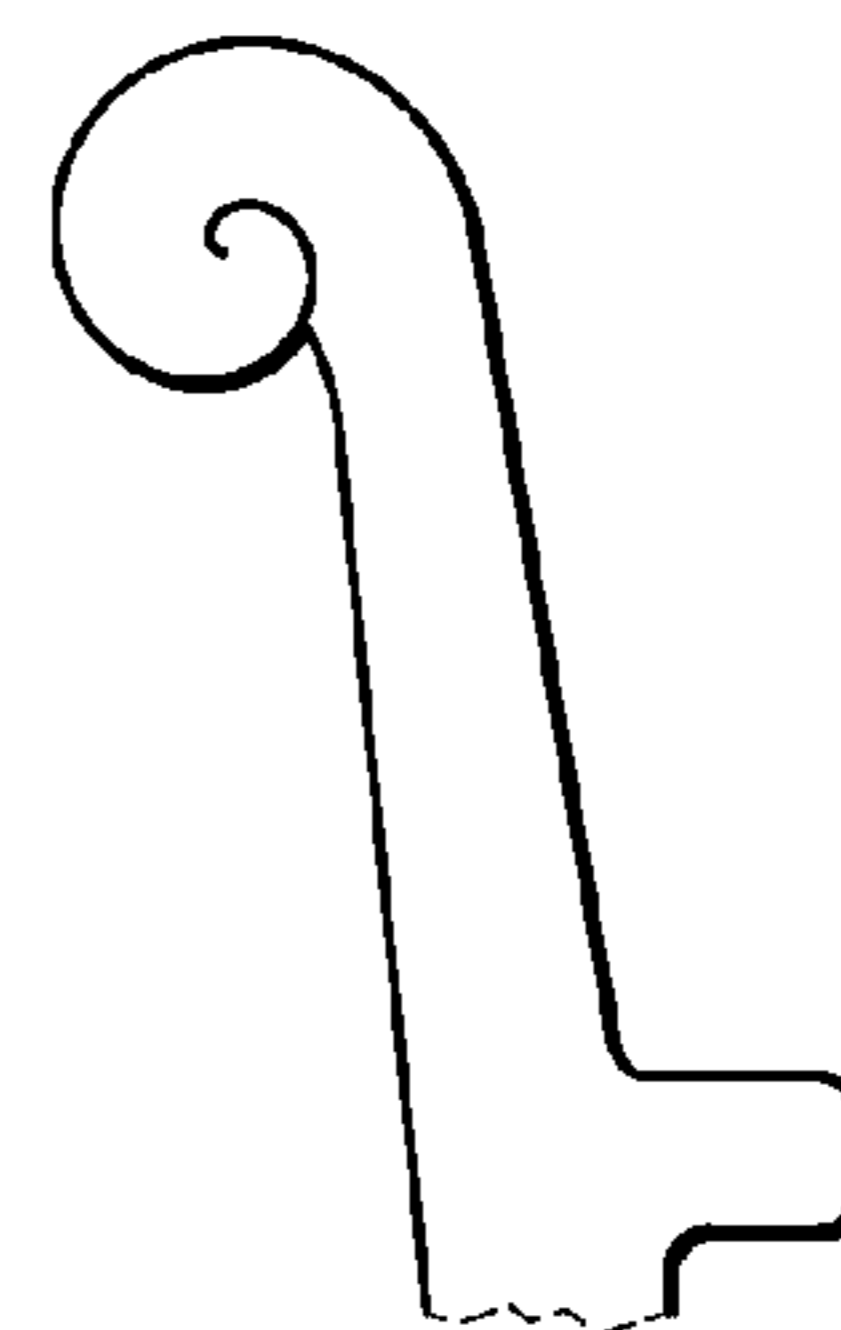


Fig. 2