



US00D595816S

(12) **United States Design Patent**
Flores

(10) **Patent No.:** **US D595,816 S**
(45) **Date of Patent:** **** Jul. 7, 2009**

(54) **BATHTUB**
(76) Inventor: **Ronald R. Flores**, 18056 Rd. 400,
Madera, CA (US) 93638
(**) Term: **14 Years**
(21) Appl. No.: **29/307,415**
(22) Filed: **Apr. 18, 2008**

Primary Examiner—Robert A Delehanty
(74) *Attorney, Agent, or Firm*—Philip L. Bateman

(57) **CLAIM**

The ornamental design for a bathtub, as shown and described.

(51) **LOC (9) Cl.** **23-02**
(52) **U.S. Cl.** **D23/277**
(58) **Field of Classification Search** D23/293,
D23/275–280.1, 303, 304–306; D24/204;
4/663, 538–539, 541.1, 546, 586, 574.1
See application file for complete search history.

DESCRIPTION

FIG. 1 is a front and right side perspective view of a bathtub showing my new design;
FIG. 2 is a rear and left side perspective view thereof;
FIG. 3 is a top plan view thereof;
FIG. 4 is a front elevation view thereof;
FIG. 5 is a left side elevation view thereof;
FIG. 6 is a rear elevation view thereof;
FIG. 7 is a sectional view thereof taken along line 7—7 of FIG. 4; and,
FIG. 8 is a detail of FIG. 7.

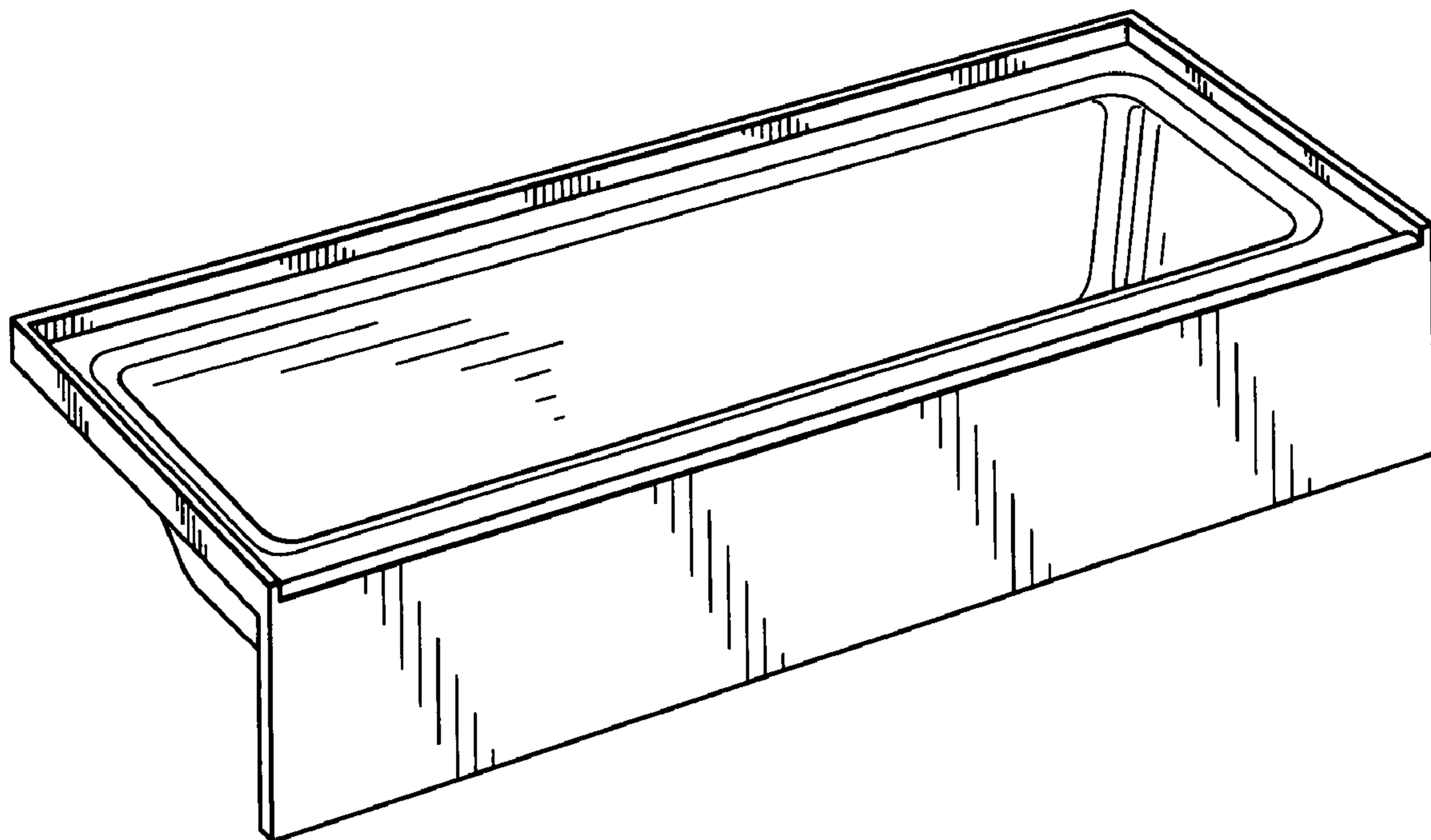
(56) **References Cited**

U.S. PATENT DOCUMENTS

3,616,466	A *	11/1971	Davis	D23/283
D278,844	S *	5/1985	Stairs, Jr.	D23/277
D540,926	S	4/2007	Flores	D23/304
D547,832	S *	7/2007	Kohler et al.	D23/277

* cited by examiner

1 Claim, 3 Drawing Sheets



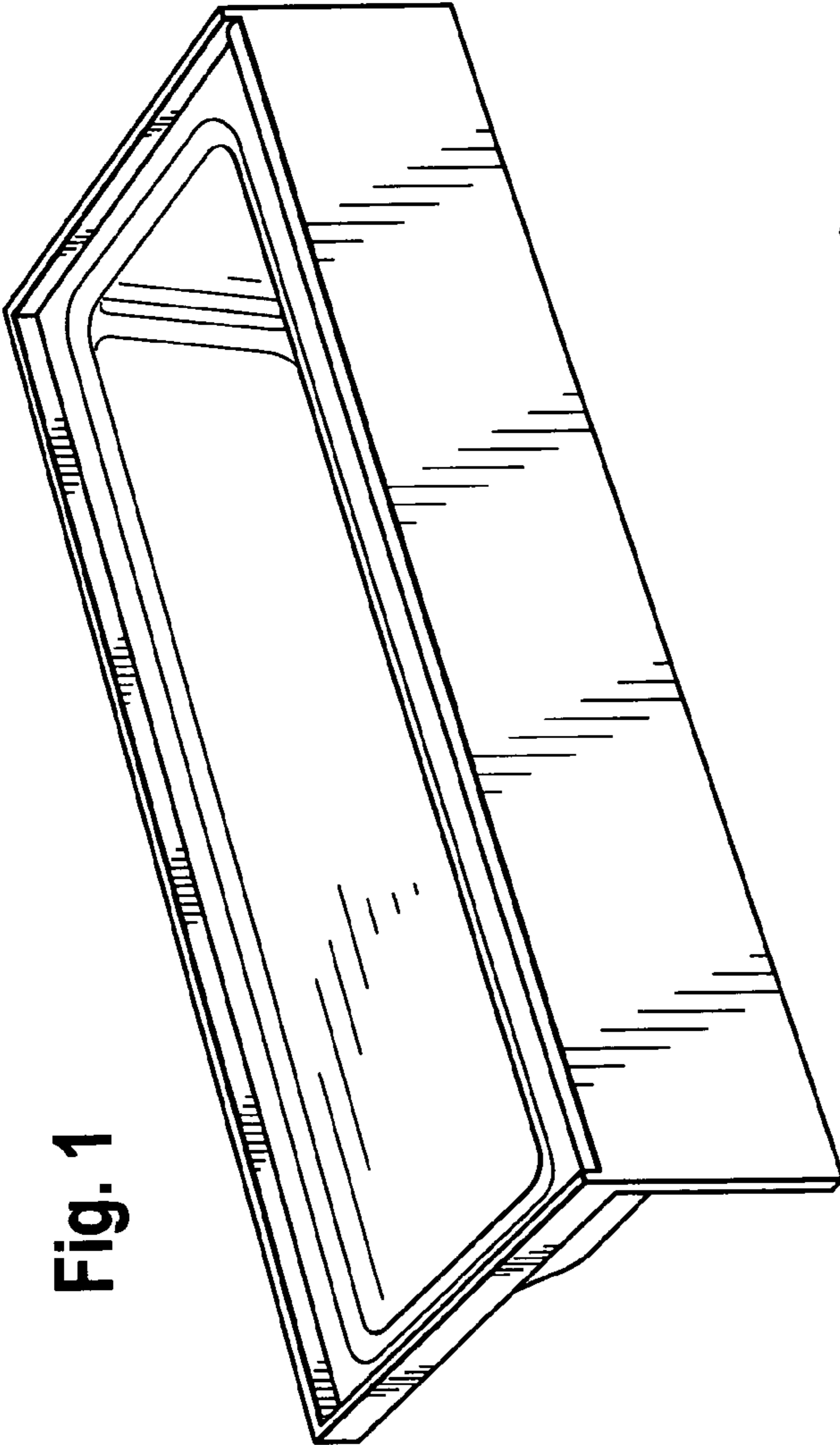
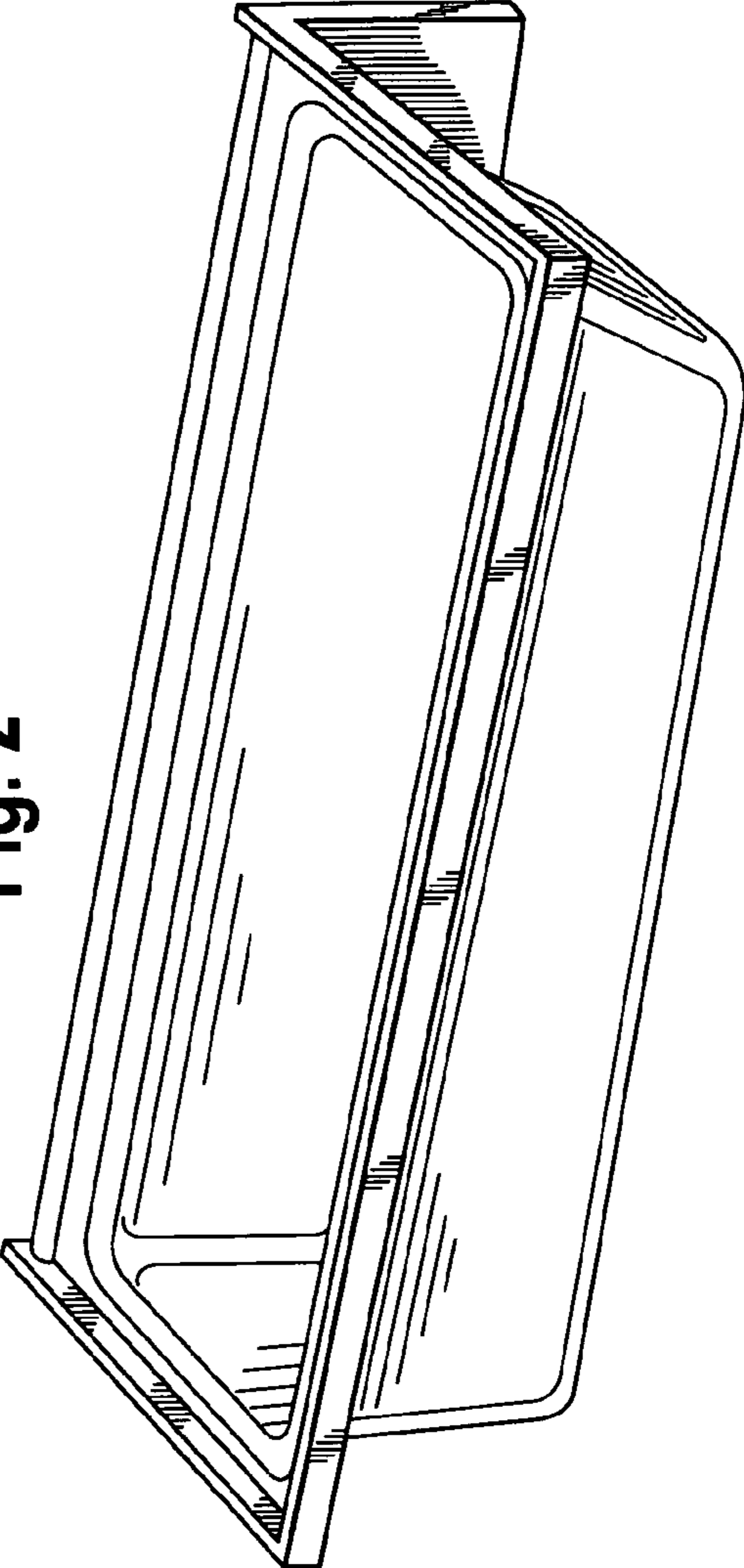


Fig. 1

Fig. 2



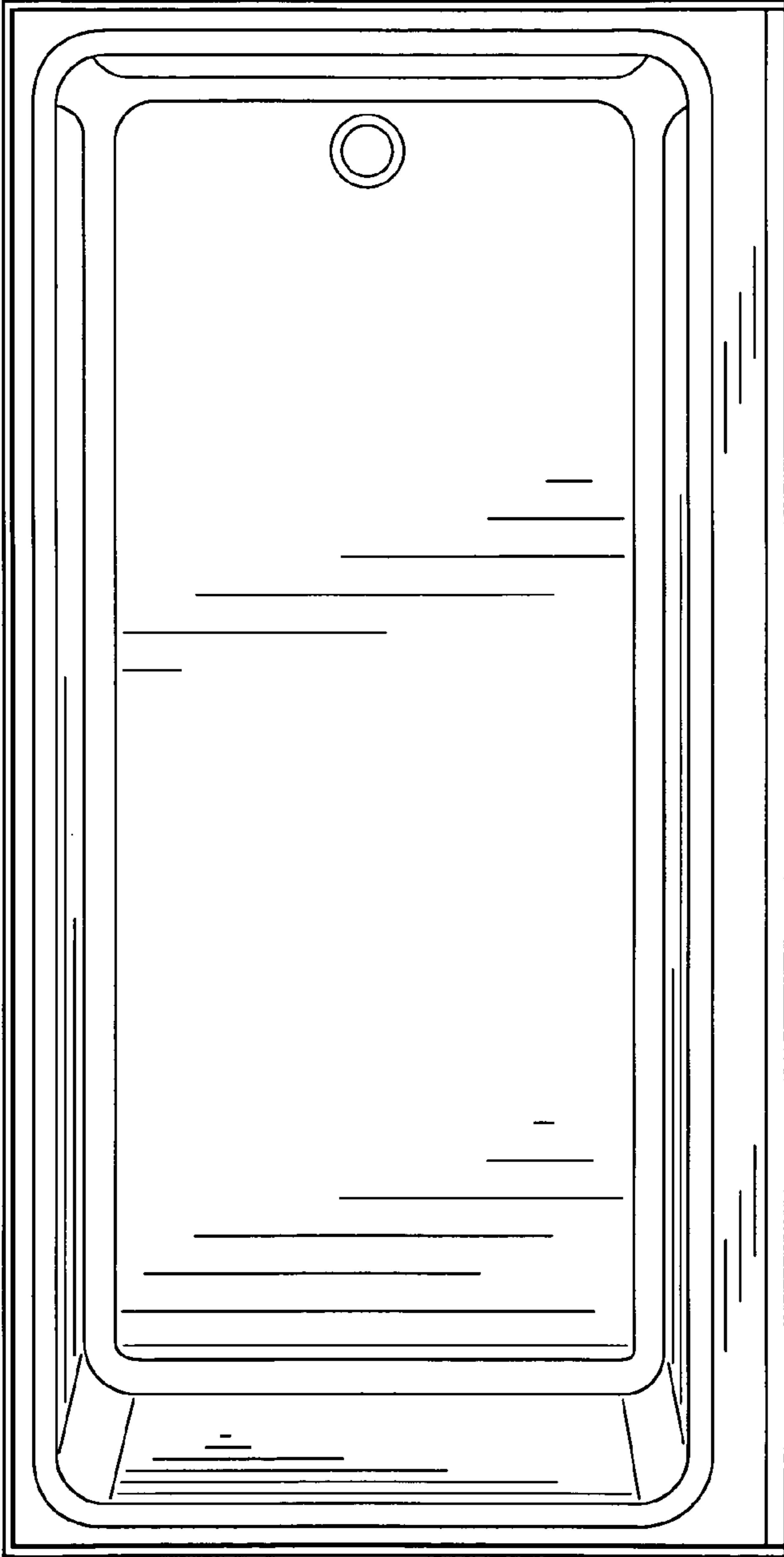


Fig. 3

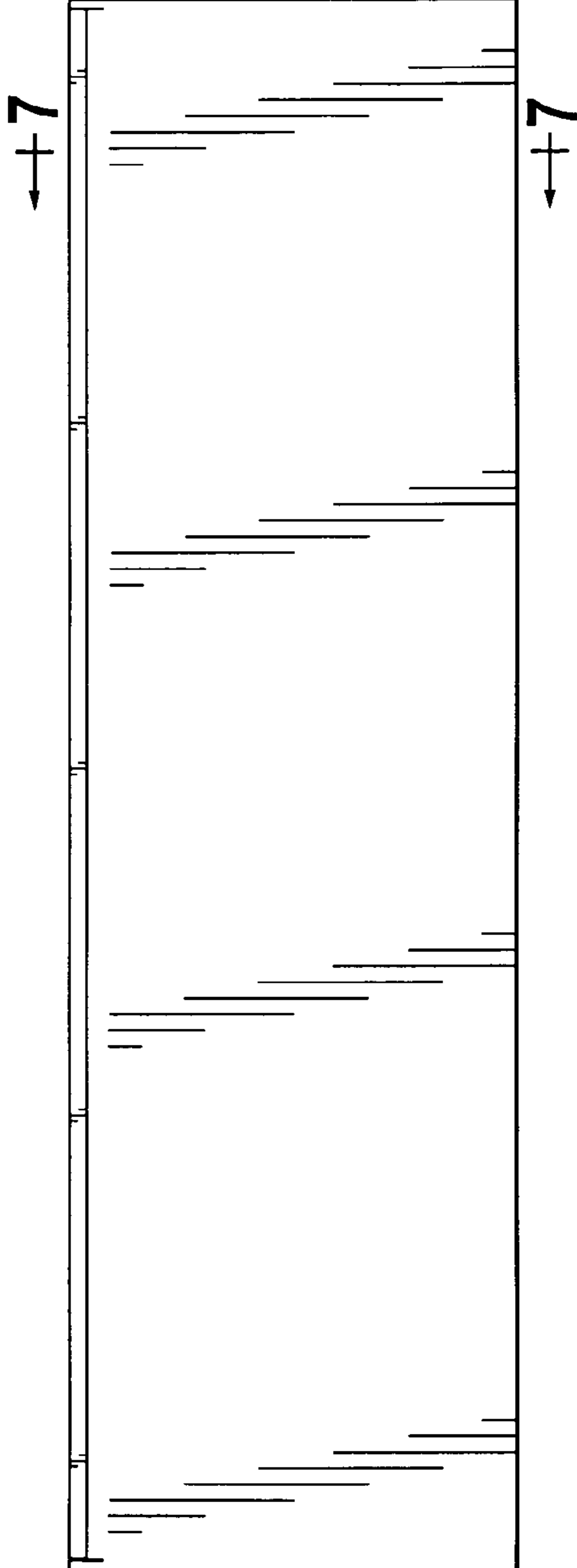


Fig. 4

Fig. 5

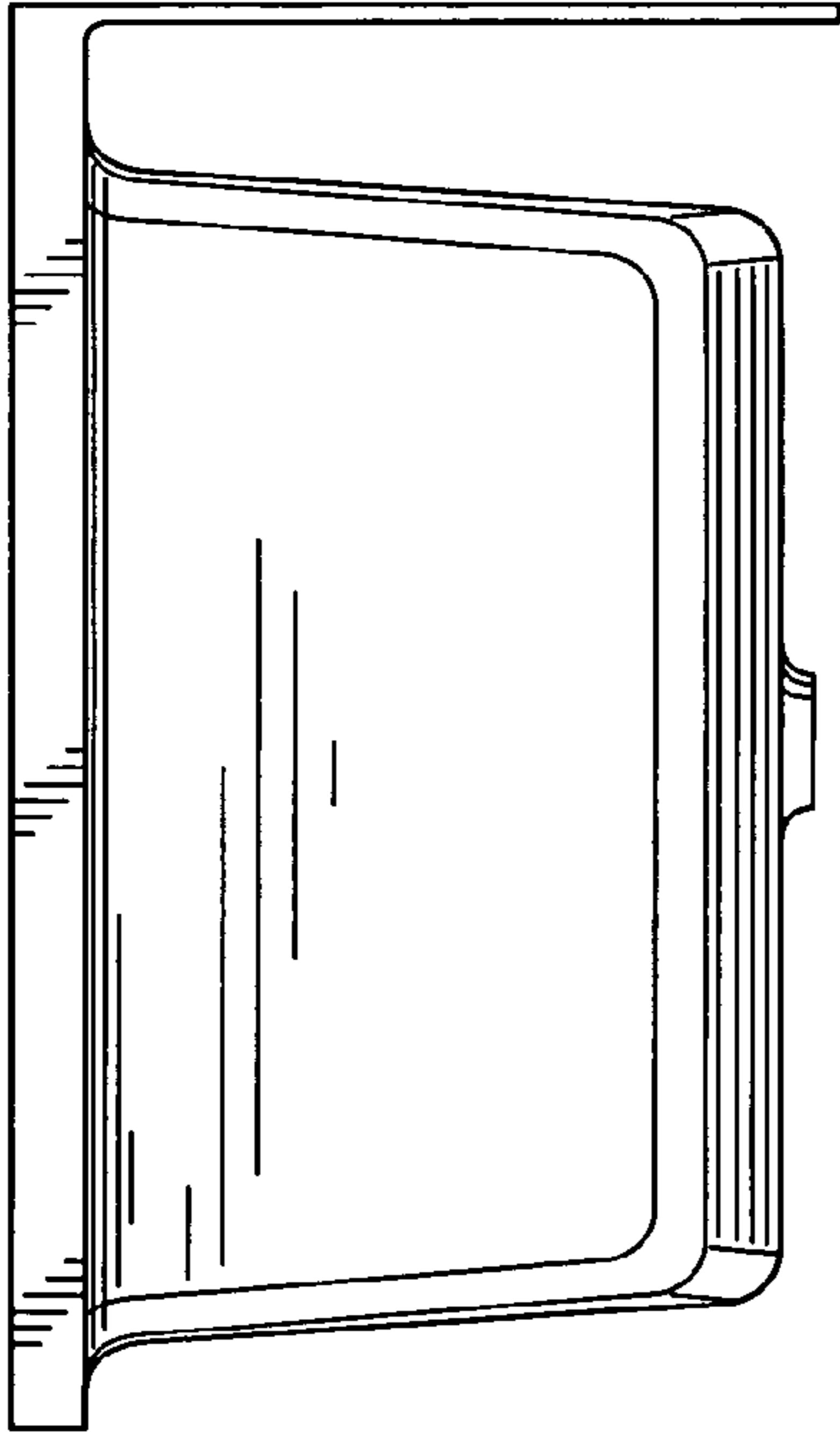


Fig. 7

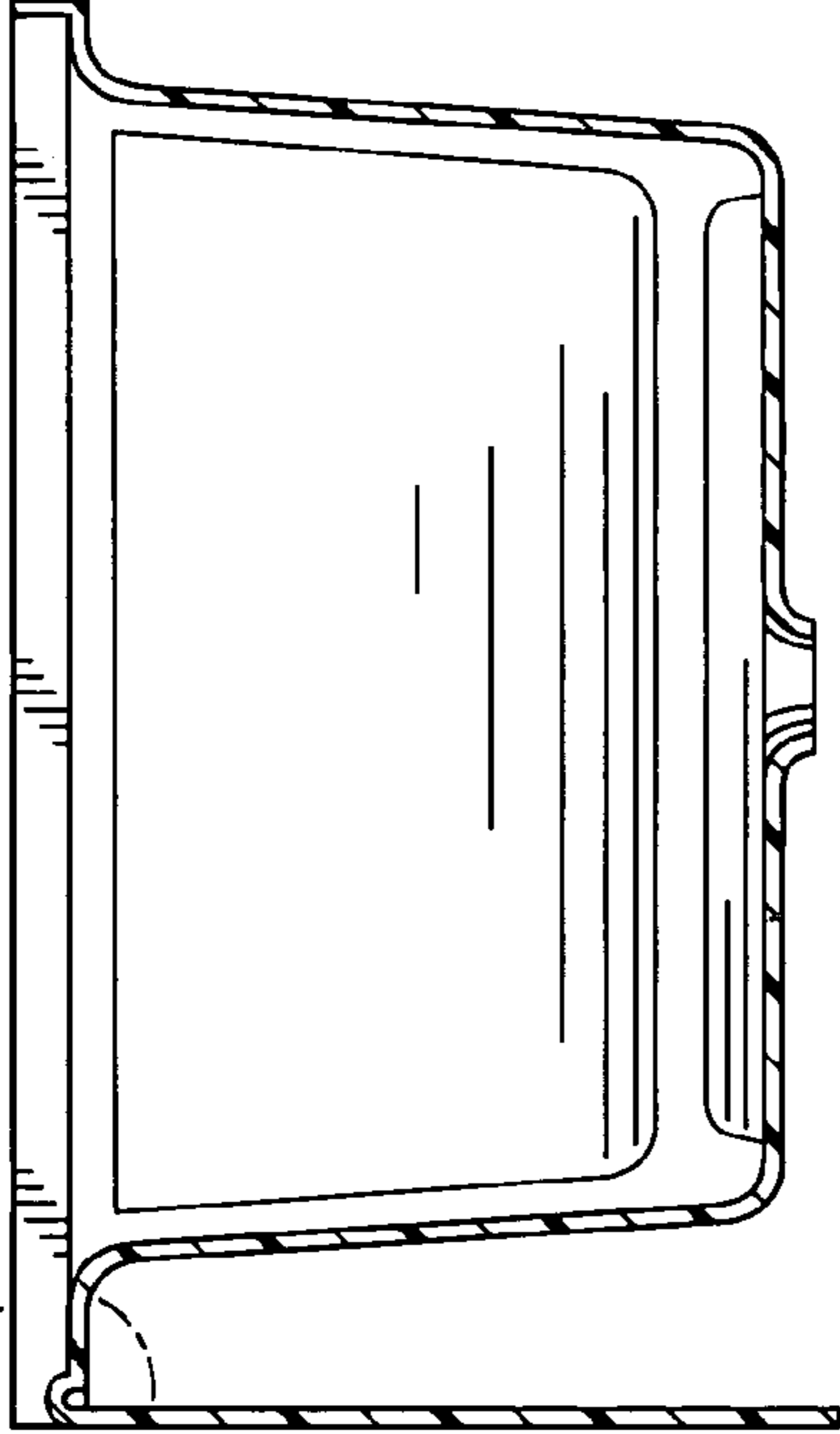


Fig. 8

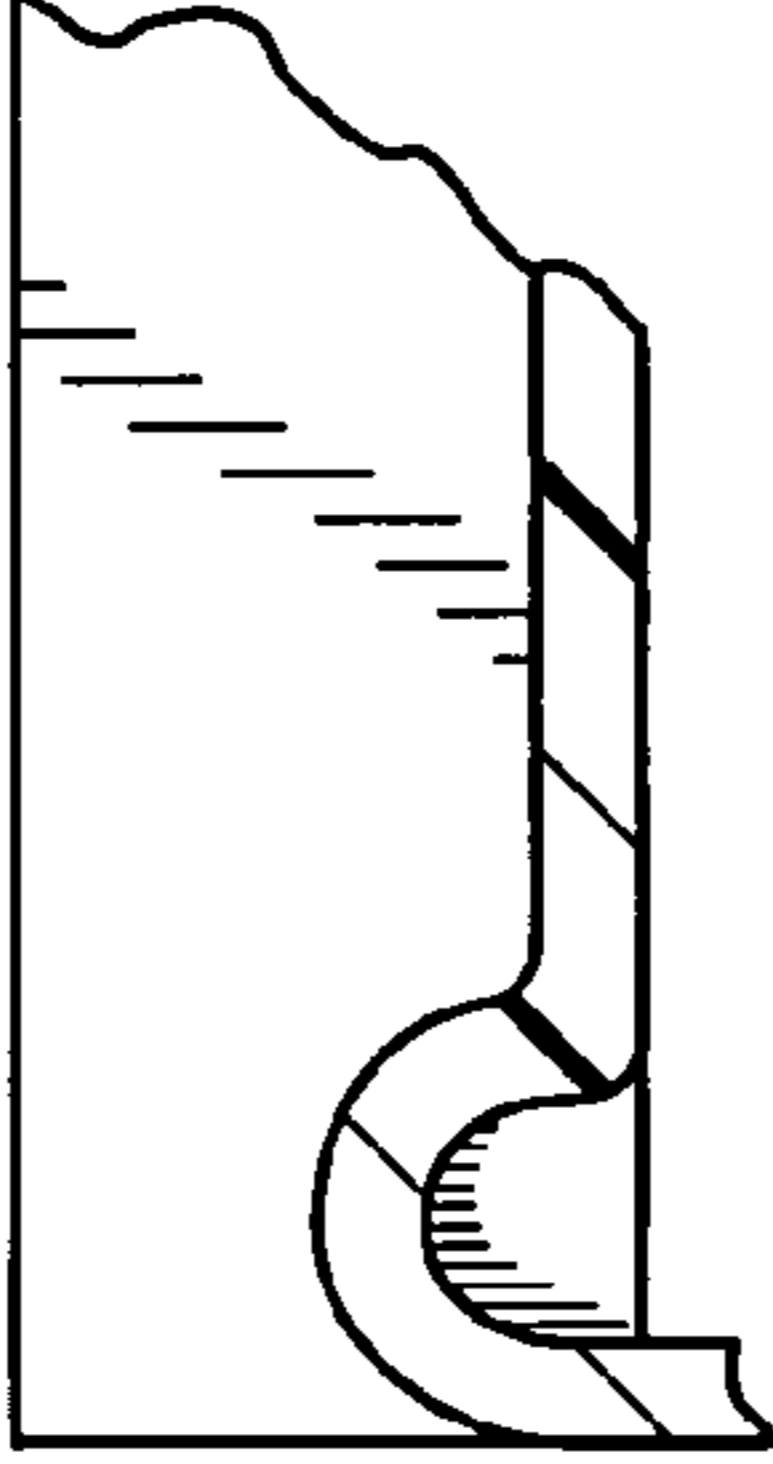


Fig. 8

Fig. 6

