



US00D595815S

(12) **United States Design Patent**
Pierce et al.

(10) **Patent No.:** **US D595,815 S**
(45) **Date of Patent:** **** Jul. 7, 2009**

(54) **PIPE COUPLING**

(75) Inventors: **John W. Pierce**, Nazareth, PA (US);
Douglas R. Dole, Whitehouse Station,
NJ (US); **William A. Nagle**, Laureldale,
PA (US); **Scott D. Madara**, Nazareth,
PA (US)

(73) Assignee: **Victaulic Company**, Easton, PA (US)

(**) Term: **14 Years**

(21) Appl. No.: **29/329,902**

(22) Filed: **Dec. 23, 2008**

Related U.S. Application Data

(62) Division of application No. 29/278,192, filed on Mar. 21, 2007, now Pat. No. Des. 583,914.

(51) **LOC (9) Cl.** **23-01**

(52) **U.S. Cl.** **D23/262**

(58) **Field of Classification Search** D23/213,
D23/249, 257, 259, 260, 261, 262, 263, 264,
D23/265, 266, 267, 268; D15/7; D8/396;
4/675-678; 403/291, 300; 285/1, 53, 112,
285/340, 367, 373, 404, 915; 261/DIG. 22;
239/428.5

See application file for complete search history.

(56) **References Cited**

U.S. PATENT DOCUMENTS

D142,057 S *	8/1945	Baxter	D23/265
D142,834 S *	11/1945	Campbell	D23/265
D168,928 S *	3/1953	English	D23/265
2,752,173 A *	6/1956	Krooss	285/232
4,408,788 A *	10/1983	Beukema	285/419
D287,532 S *	12/1986	Jones et al.	D23/265

4,896,902 A *	1/1990	Weston	285/93
D334,050 S *	3/1993	Foxlee	D23/263
D339,975 S *	10/1993	Bird et al.	D8/354
5,911,446 A *	6/1999	McLennan et al.	285/104
6,076,861 A *	6/2000	Ikeda	285/112
7,090,259 B2 *	8/2006	Dole	285/367
D558,307 S *	12/2007	Gibb et al.	D23/265
D560,764 S *	1/2008	Gibb et al.	D23/265
D568,451 S *	5/2008	Gibb et al.	D23/262
D570,458 S *	6/2008	Gibb et al.	D23/262
2005/0242585 A1 *	11/2005	Dole et al.	285/367

* cited by examiner

Primary Examiner—Cathron C Brooks

Assistant Examiner—Michael A Pratt

(74) *Attorney, Agent, or Firm*—Ballard Spahr Andrews and Ingersoll, LLP

(57) **CLAIM**

We claim the ornamental design for a pipe coupling, as shown and described.

DESCRIPTION

FIG. 1 is an isometric view of our design for a pipe coupling; FIG. 2 is a front view of the design for the pipe coupling shown in FIG. 1, the rear view being identical;

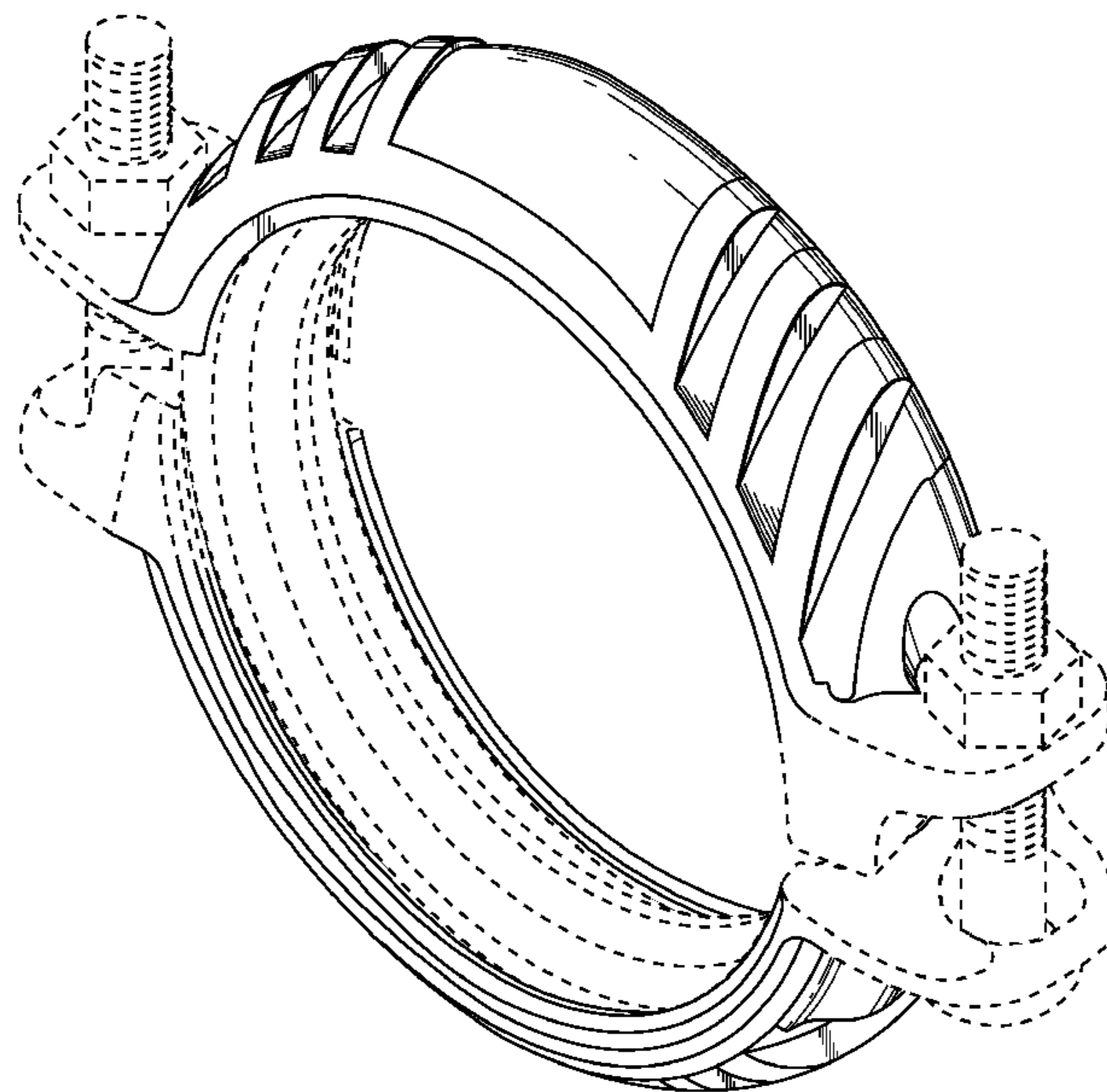
FIG. 3 is a top view of the design for the pipe coupling shown in FIG. 1;

FIG. 4 is a bottom view of the design for the pipe coupling shown in FIG. 1; and,

FIG. 5 is a left side view of the design for the pipe coupling shown in FIG. 1, the right side view being identical.

The broken line showing of portions of the pipe coupling in FIGS. 1-5 forms no part of the claimed design.

1 Claim, 2 Drawing Sheets



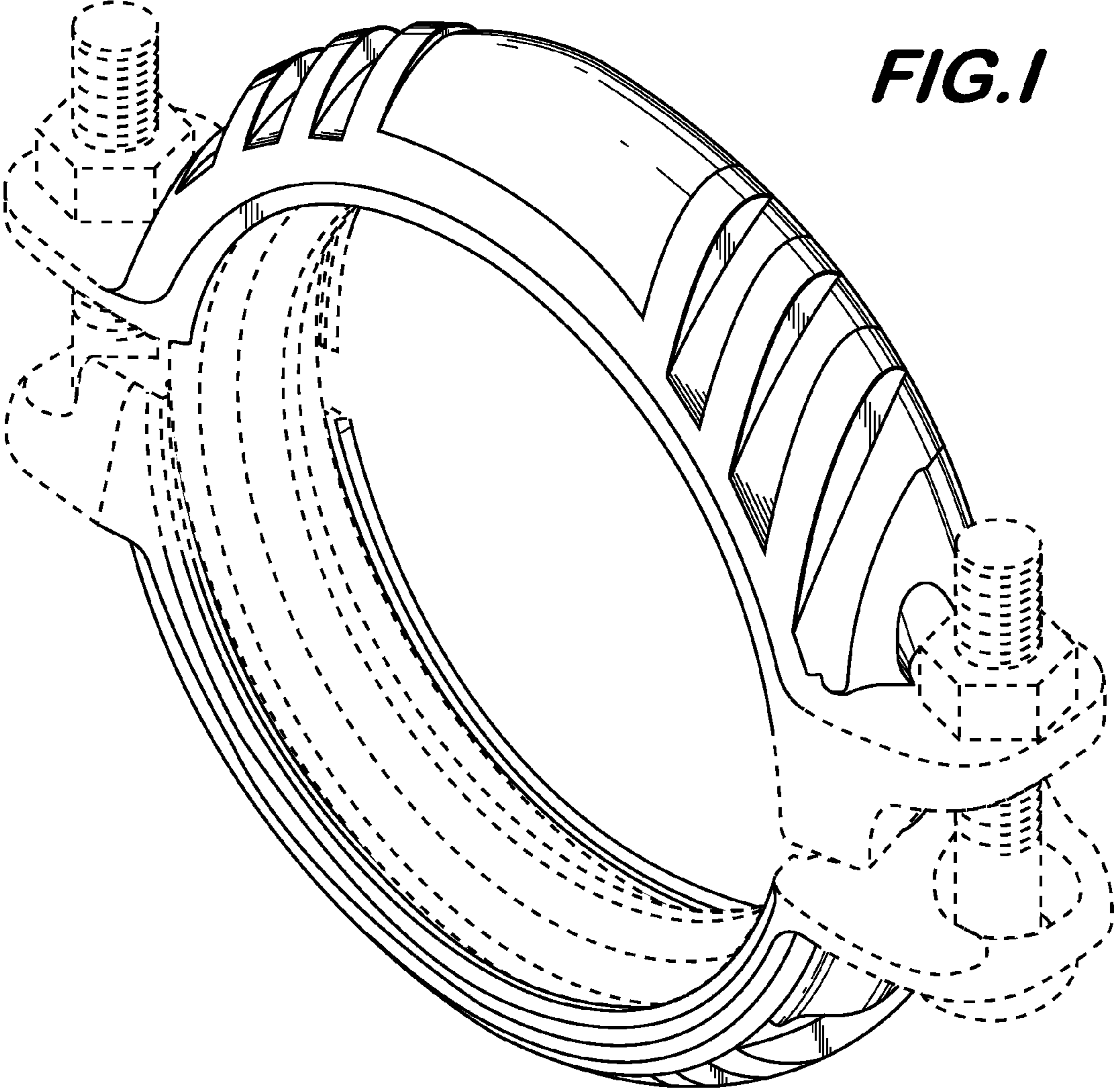


FIG. 1

