



US00D595811S

(12) **United States Design Patent**
Stadtler

(10) **Patent No.:** **US D595,811 S**
(45) **Date of Patent:** **** Jul. 7, 2009**

(54) **FRICTIONALLY ENGAGED FLAT FLOW
REGULATORY ATTACHMENT**

(75) Inventor: **Georg Stadtler**, Mullheim (DE)

(73) Assignee: **Neoperl GmbH**, Mullheim (DE)

(**) Term: **14 Years**

(21) Appl. No.: **29/322,149**

(22) Filed: **Jul. 30, 2008**

(30) **Foreign Application Priority Data**

Feb. 11, 2008 (EM) 000876388

(51) **LOC (9) Cl.** **23-01**

(52) **U.S. Cl.** **D23/249; D23/388**

(58) **Field of Classification Search** D23/249,
D23/238, 260, 261, 213, 209, 387, 386, 393,
D23/388, 389, 385, 370, 354, 397; 454/309,
454/275, 276, 277, 284, 287-289, 290, 291;
404/2, 4; D25/156, 153; 239/533.1

See application file for complete search history.

(56) **References Cited**

U.S. PATENT DOCUMENTS

4,274,330 A * 6/1981 Witten et al. 454/276
4,319,520 A * 3/1982 Lanting et al. 454/290
D279,601 S * 7/1985 Sexton D23/388
D286,575 S * 11/1986 Saunders D25/156
D302,019 S * 7/1989 Dehlen D25/156
D315,790 S * 3/1991 Koessler D23/388
D377,389 S * 1/1997 Phillips et al. D23/261

D382,549 S * 8/1997 Yoshimoto D23/388
5,733,191 A * 3/1998 Lam et al. 454/290
D406,363 S * 3/1999 Molnar D25/156
D462,757 S * 9/2002 Pettit D23/388
D508,561 S * 8/2005 Raspotnig D23/393
2006/0239773 A1 * 10/2006 Meyers 404/2

* cited by examiner

Primary Examiner—T. Chase Nelson

Assistant Examiner—David G Muller

(74) *Attorney, Agent, or Firm*—Volpe and Koenig, P.C.

(57) **CLAIM**

The ornamental design for a frictionally engaged flat flow regulator attachment, as shown and described.

DESCRIPTION

FIG. 1 is a top, left, front perspective view of the frictionally engaged flat flow regulator attachment according to my design;

FIG. 2 is a bottom, right, rear perspective view thereof;

FIG. 3 is a top plan view thereof;

FIG. 4 is a front elevational view thereof, the rear elevational view being identical thereto;

FIG. 5 is a bottom plan view thereof; and,

FIG. 6 is a right side elevational view thereof, the left side elevational view being identical thereto.

The broken lines depict portions of the invention that form no part of the claimed design.

1 Claim, 2 Drawing Sheets

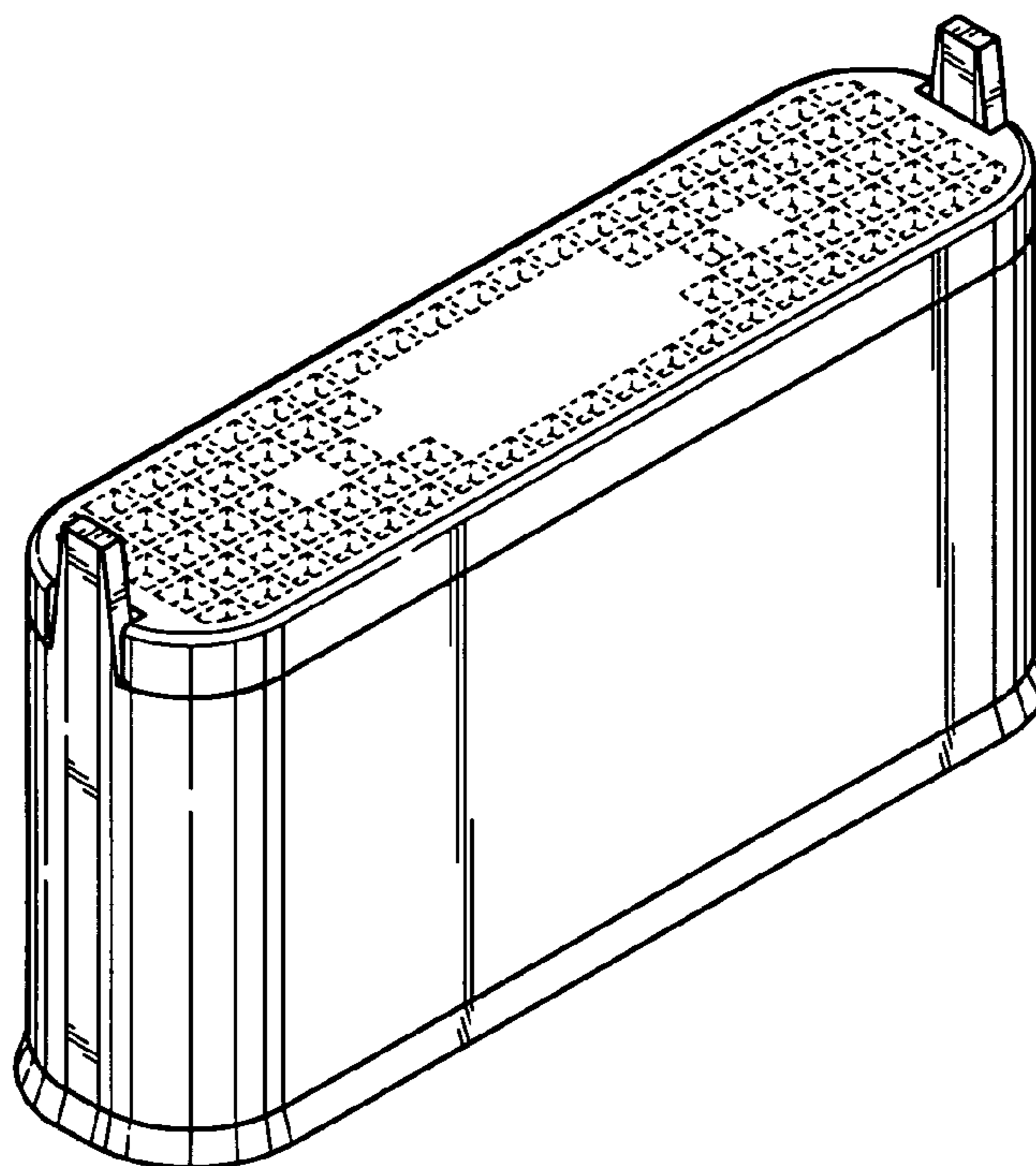


FIG. 1

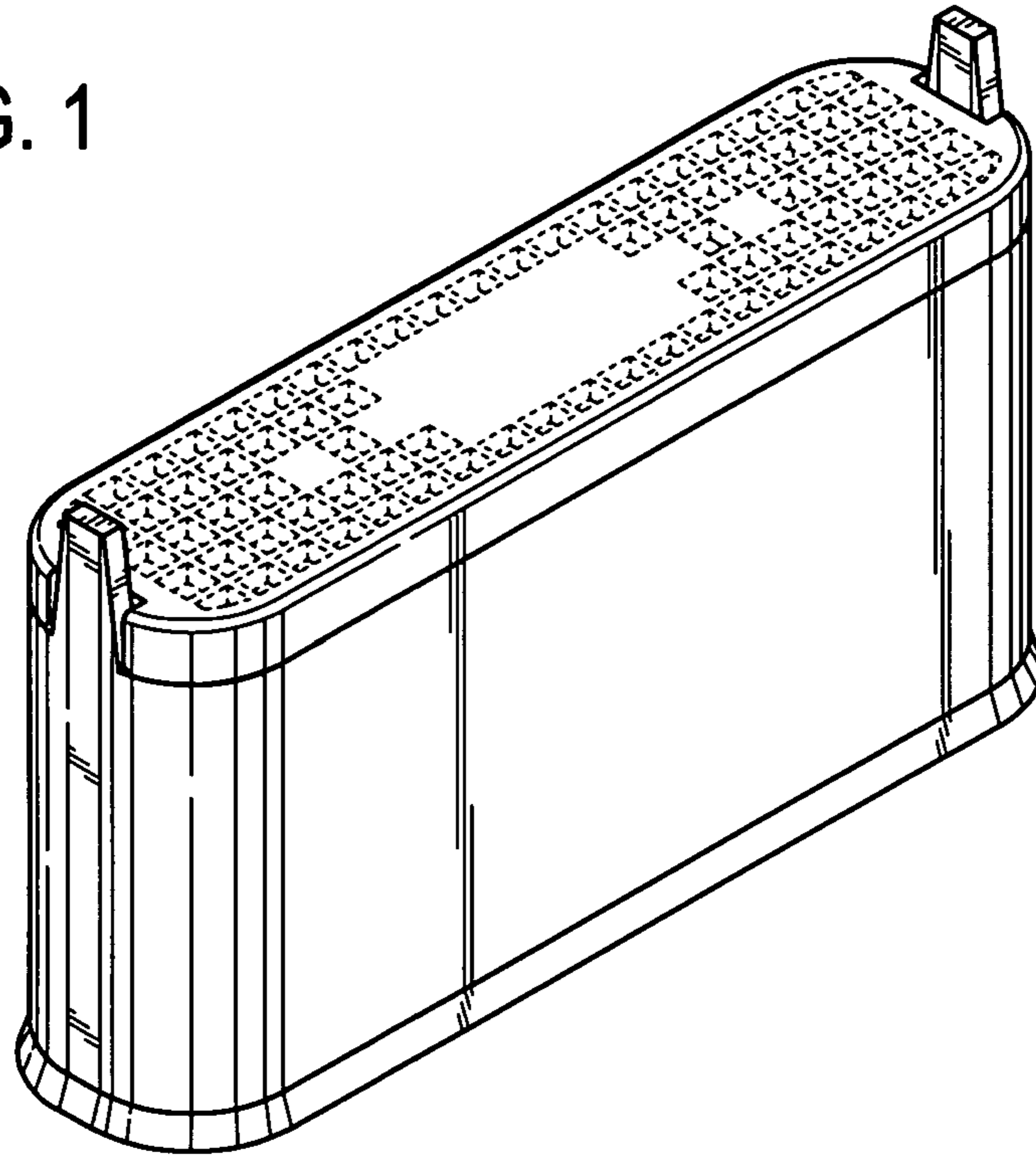


FIG. 2

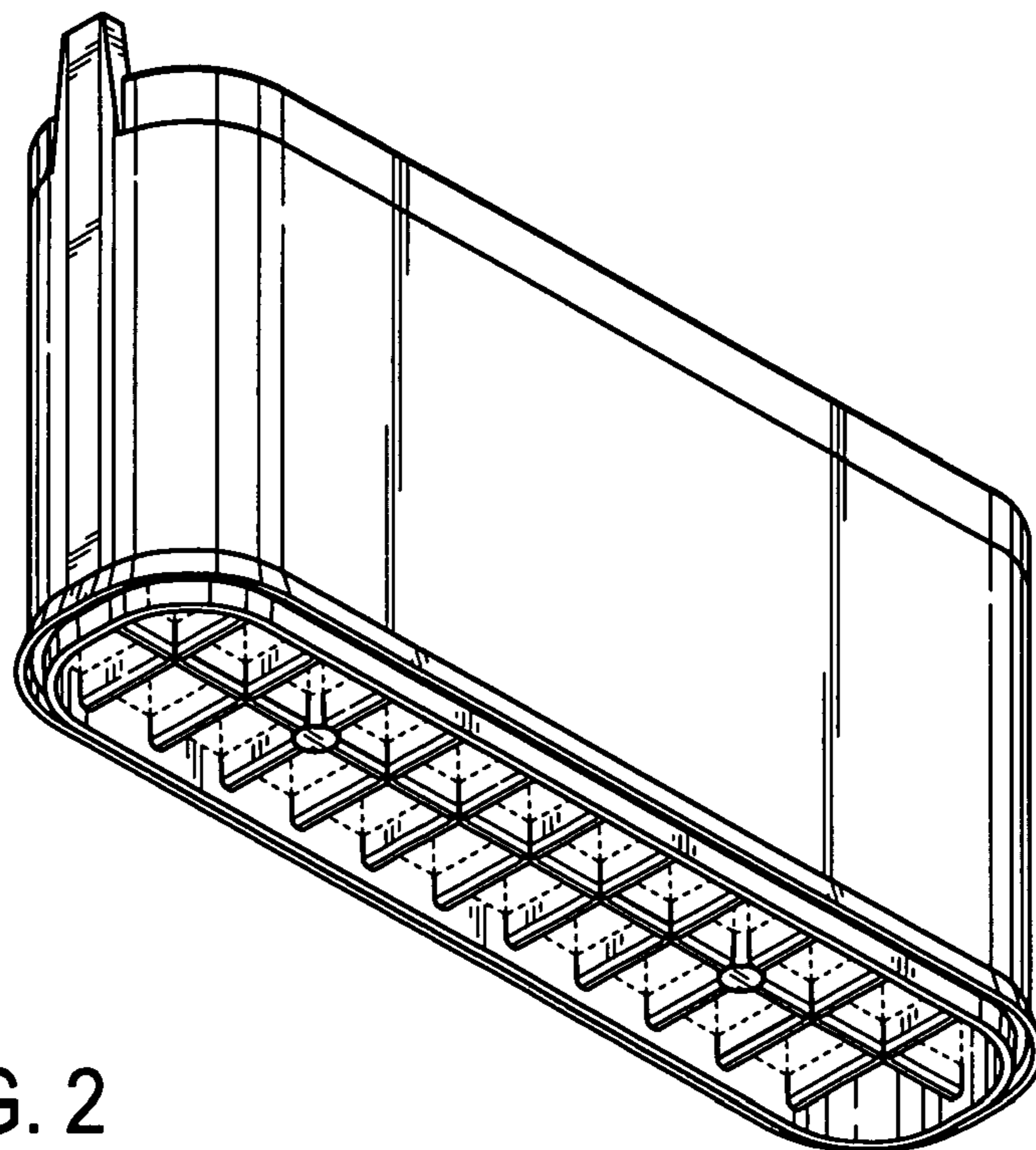


FIG. 3

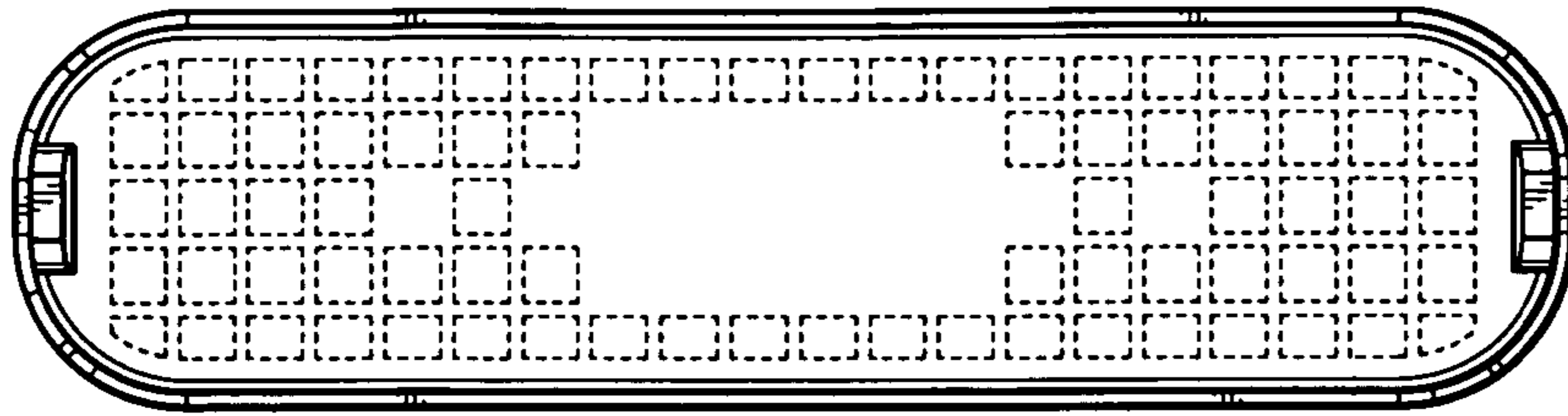


FIG. 4

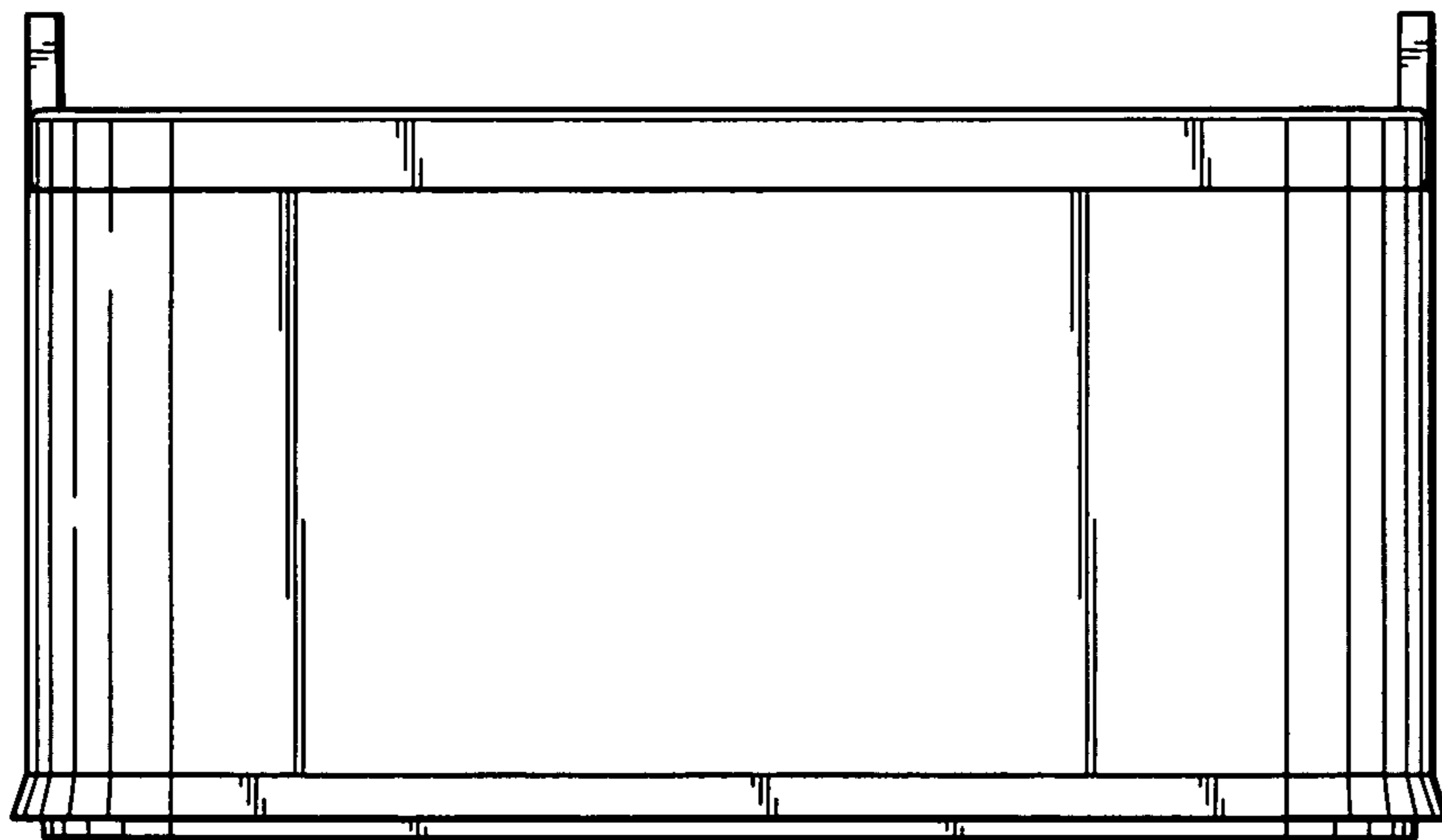


FIG. 6

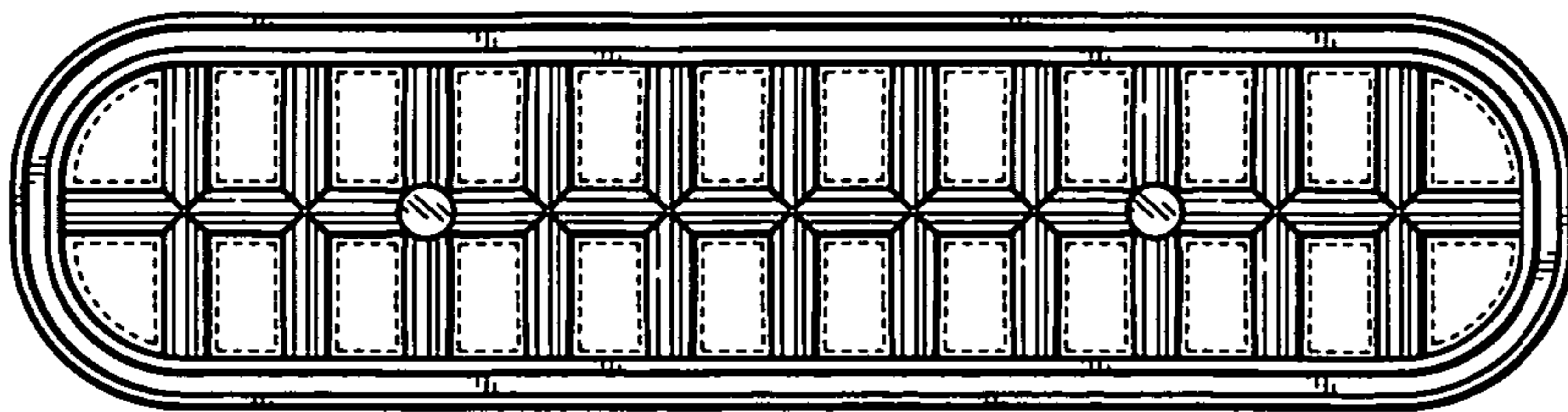
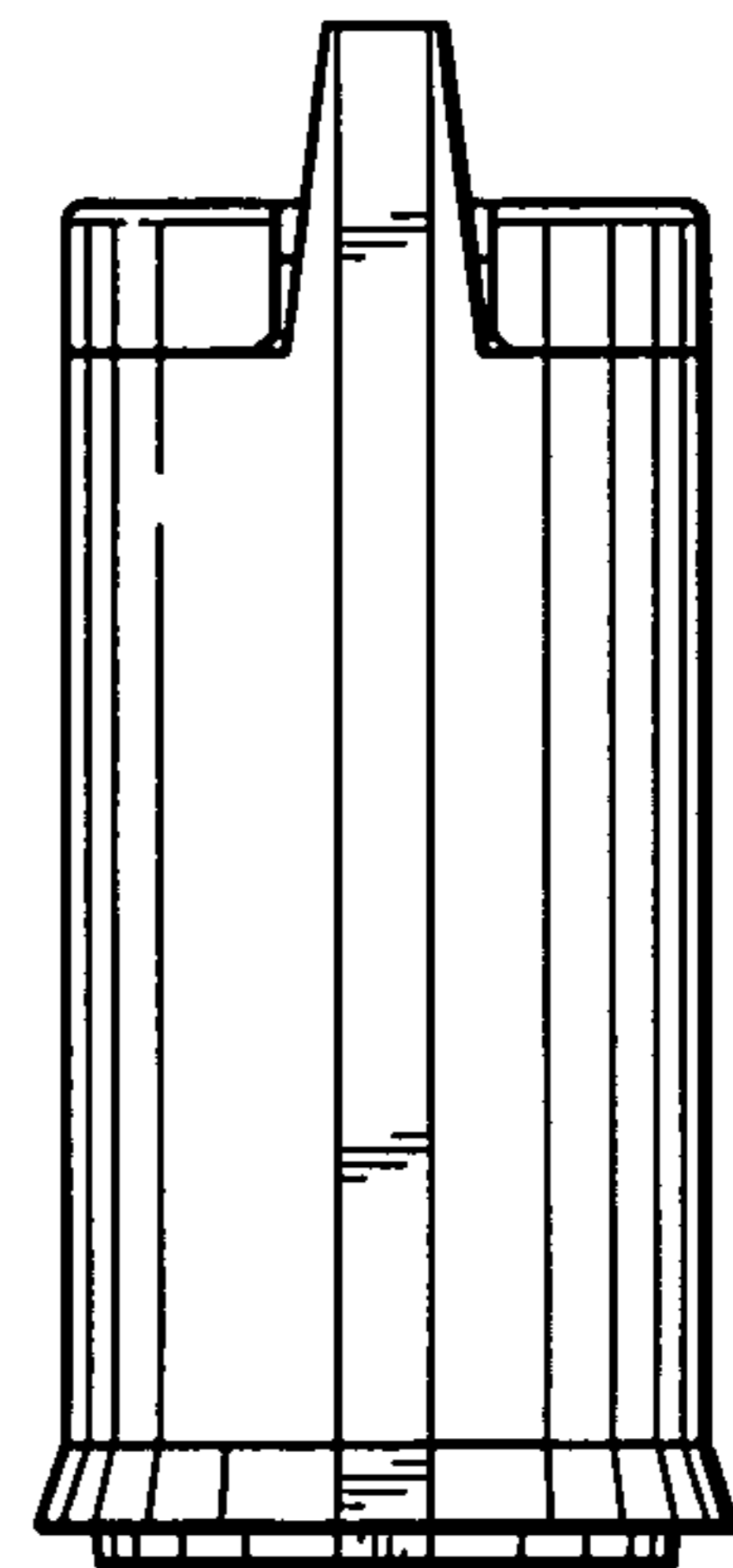


FIG. 5