



US00D595810S

(12) **United States Design Patent**  
**Miyazoe**

(10) **Patent No.:** **US D595,810 S**  
(45) **Date of Patent:** **\*\* Jul. 7, 2009**

(54) **ELECTROMAGNETIC VALVE**

(75) Inventor: **Shinji Miyazoe**, Tsukubamirai (JP)

(73) Assignee: **SMC Corporation**, Chiyoda-ku, Tokyo (JP)

(\*\*) Term: **14 Years**

(21) Appl. No.: **29/310,768**

(22) Filed: **Sep. 9, 2008**

(30) **Foreign Application Priority Data**

Mar. 24, 2008 (JP) ..... 2008-007176

(51) **LOC (9) Cl.** ..... **23-01**

(52) **U.S. Cl.** ..... **D23/233**

(58) **Field of Classification Search** ..... D23/233-237,  
D23/244-249; D15/5, 7, 199; 137/554,  
137/557, 560, 861, 882, 884, 269, 270, 271,  
137/343, 625.64; 251/596.13, 596.16, 331,  
251/219, 15, 130, 129.04

See application file for complete search history.

(56) **References Cited**

**U.S. PATENT DOCUMENTS**

D414,545 S \* 9/1999 Hayashi et al. .... D23/233  
D424,166 S \* 5/2000 Hayashi et al. .... D23/233  
D428,111 S \* 7/2000 Hayashi et al. .... D23/233  
D479,308 S \* 9/2003 Hayashi et al. .... D23/233  
D479,738 S \* 9/2003 Hayashi et al. .... D23/233  
D532,865 S \* 11/2006 Miyazoe et al. .... D23/233

D533,628 S \* 12/2006 Miyazoe et al. .... D23/233  
D545,945 S \* 7/2007 Miyazoe ..... D23/233  
D563,507 S \* 3/2008 Kato et al. .... D23/233  
D563,514 S \* 3/2008 Mita et al. .... D23/233  
D563,516 S \* 3/2008 Mita et al. .... D23/233  
D564,631 S \* 3/2008 Miyazoe et al. .... D23/233

\* cited by examiner

*Primary Examiner*—Joel A. Sincavage

*Assistant Examiner*—Maurice Stevens

(74) *Attorney, Agent, or Firm*—Yokoi & Co., U.S.A., Inc.;  
Peter Ganjian

(57) **CLAIM**

The ornamental design for an electromagnetic valve, as shown and described.

**DESCRIPTION**

FIG. 1 shows a front view of an electromagnetic valve showing my new design;

FIG. 2 shows a rear view thereof;

FIG. 3 shows a right side view thereof;

FIG. 4 shows a left side view thereof;

FIG. 5 shows a top view thereof;

FIG. 6 shows a bottom view thereof;

FIG. 7 shows a top, front and left side perspective view thereof; and,

FIG. 8 shows a bottom, rear and right side perspective view thereof.

**1 Claim, 8 Drawing Sheets**

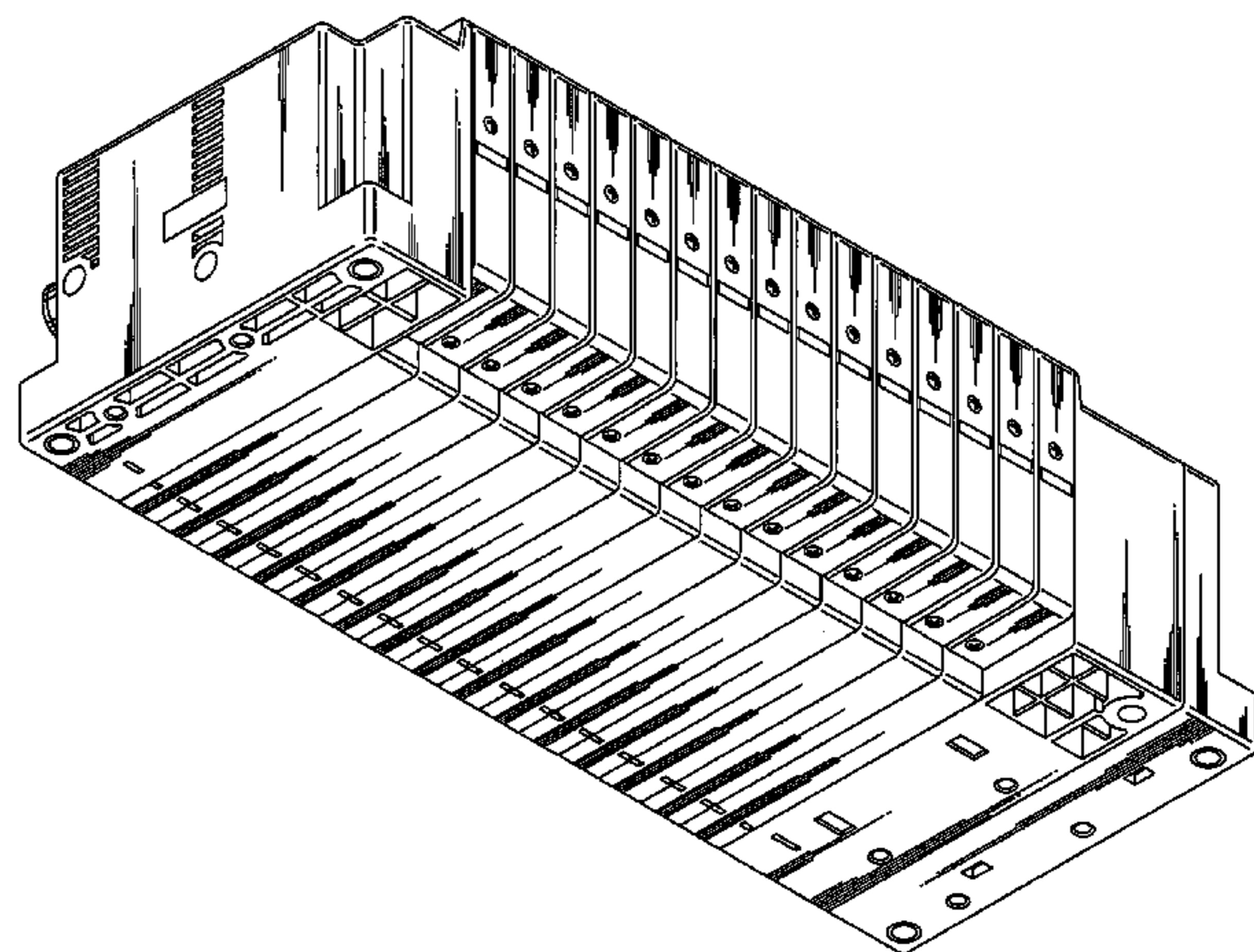
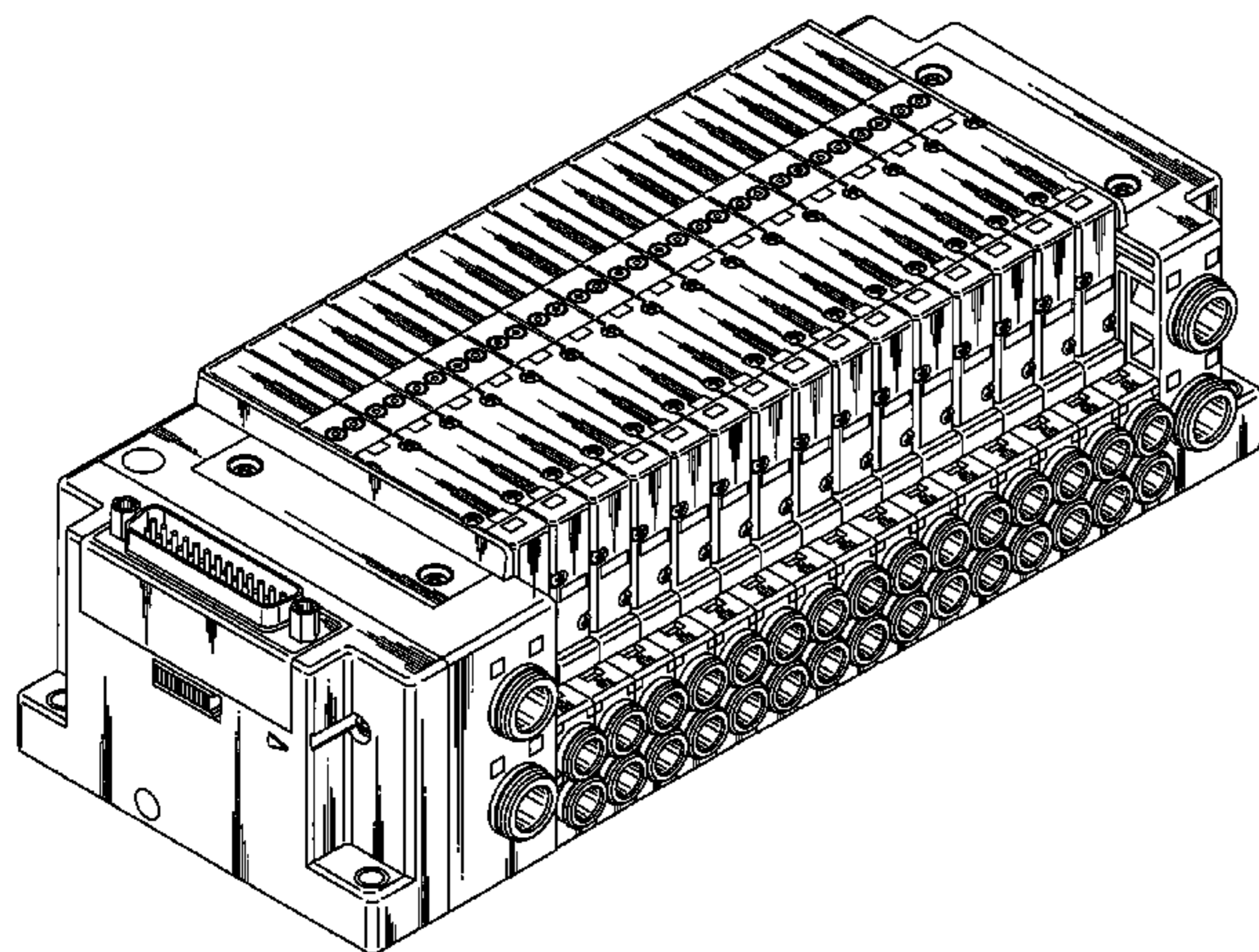


FIG. 1

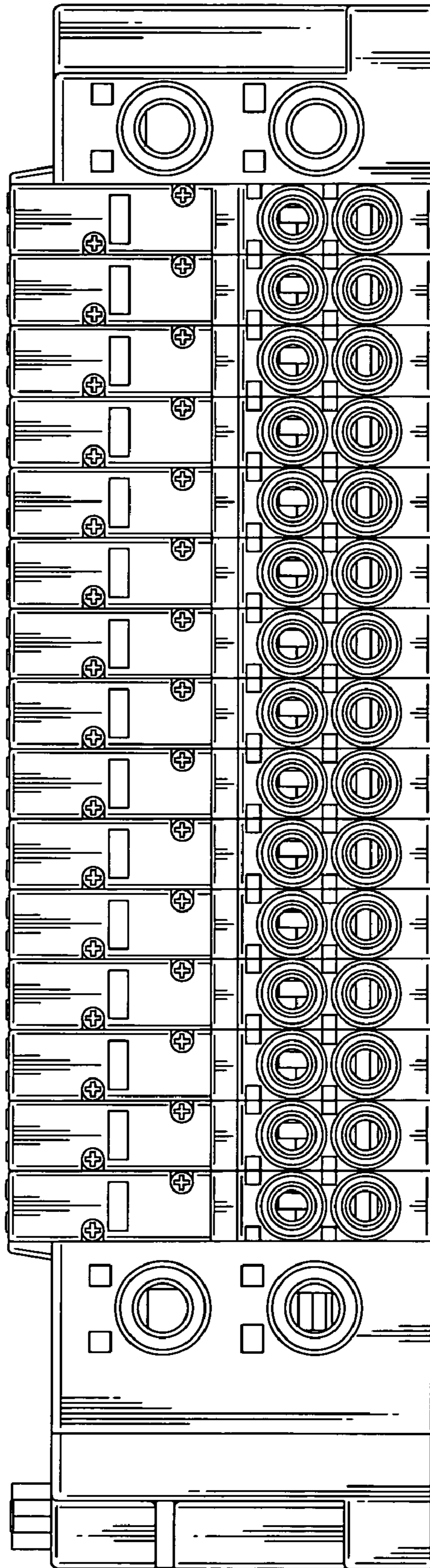


FIG. 2

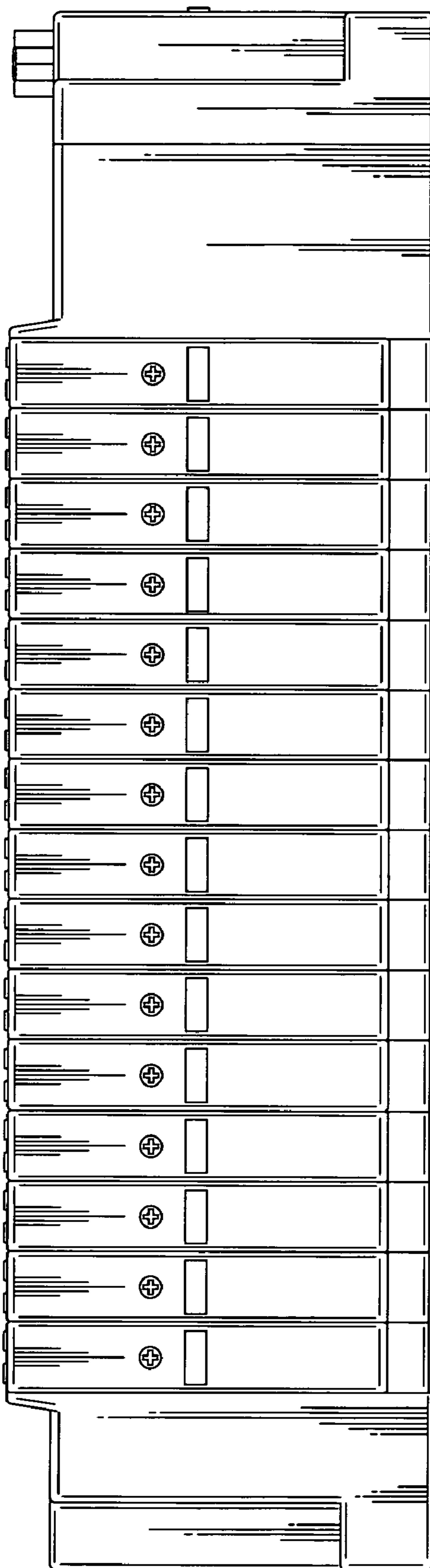


FIG. 3

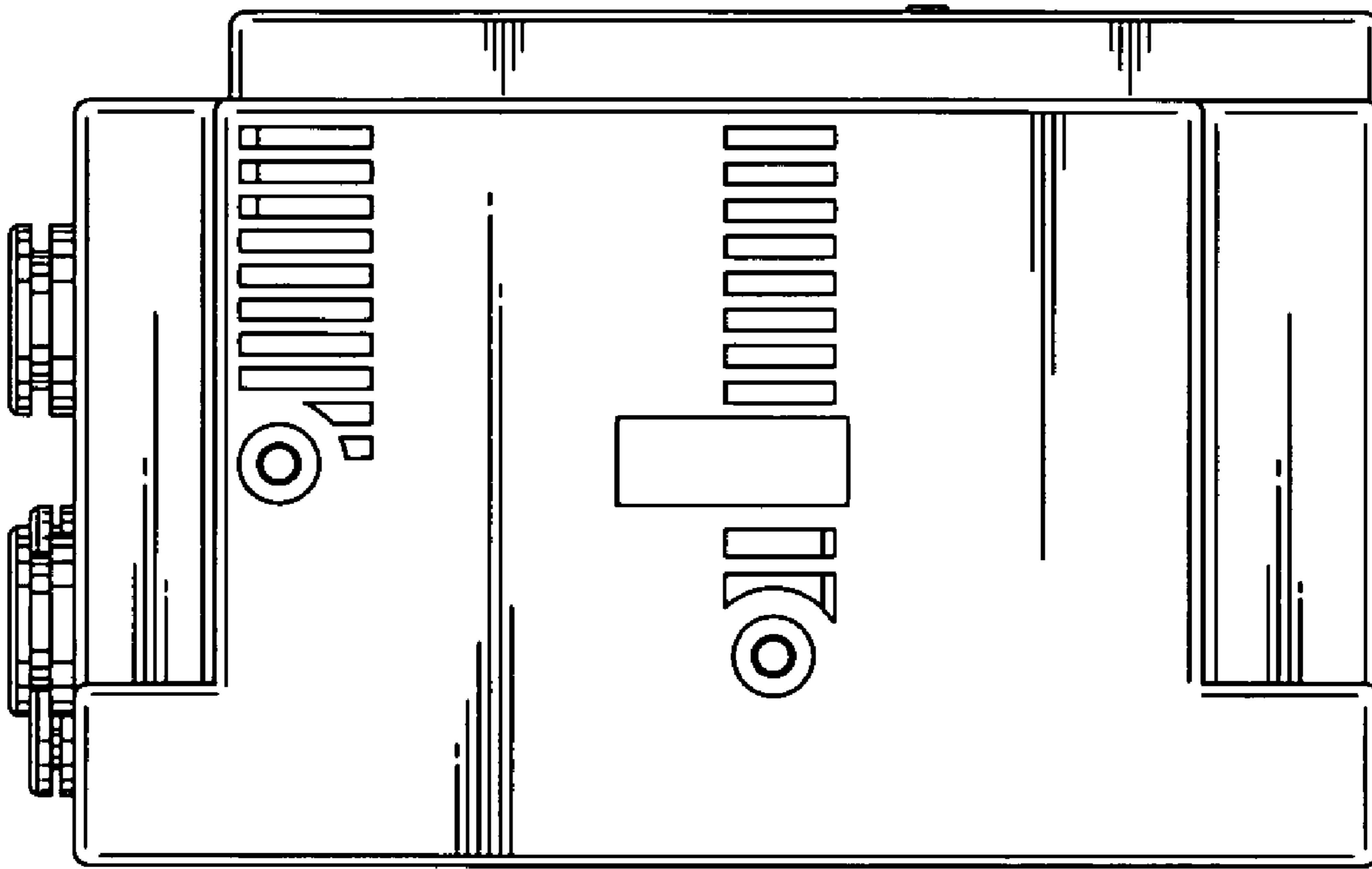




FIG. 4

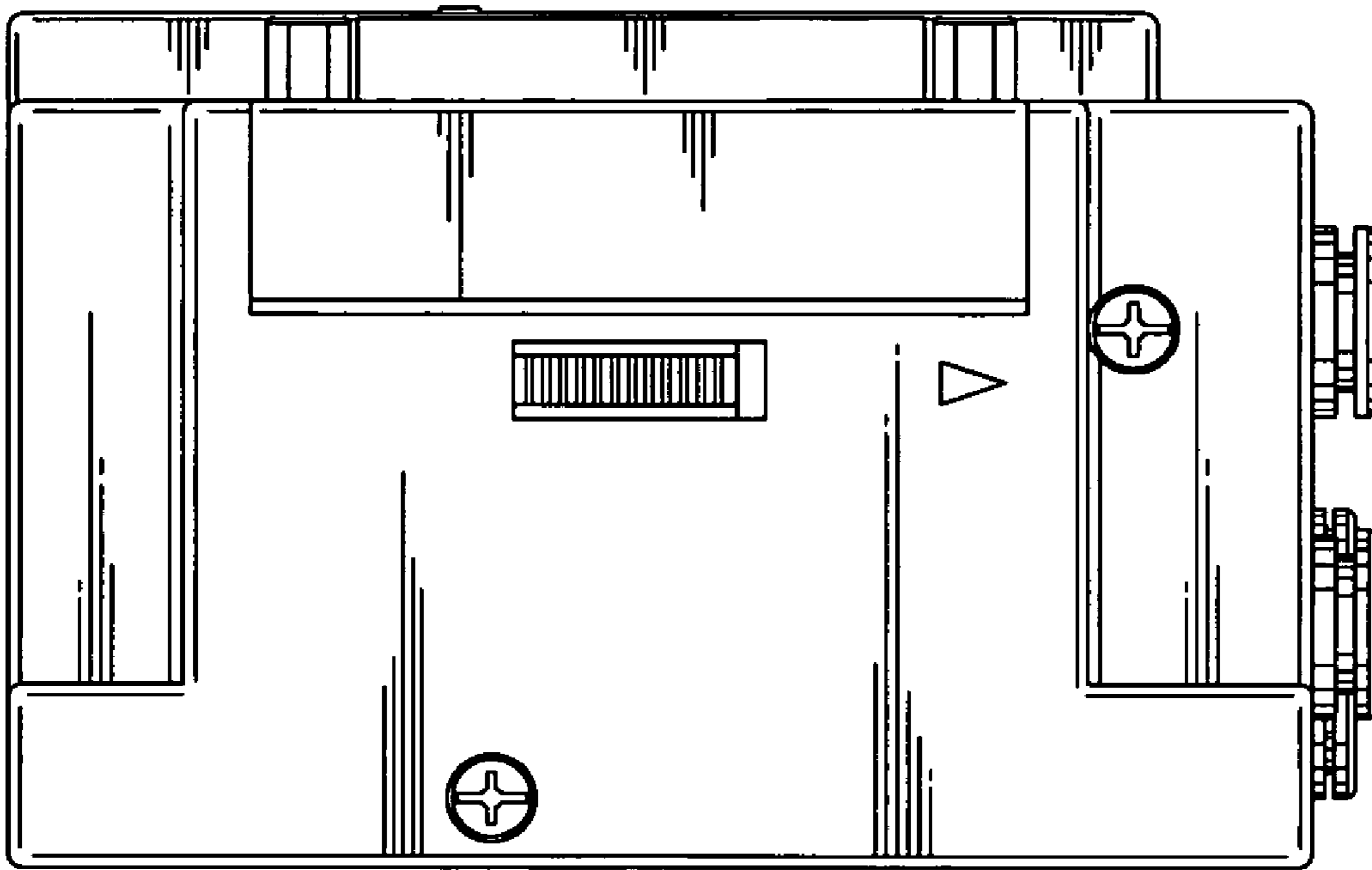


FIG. 5

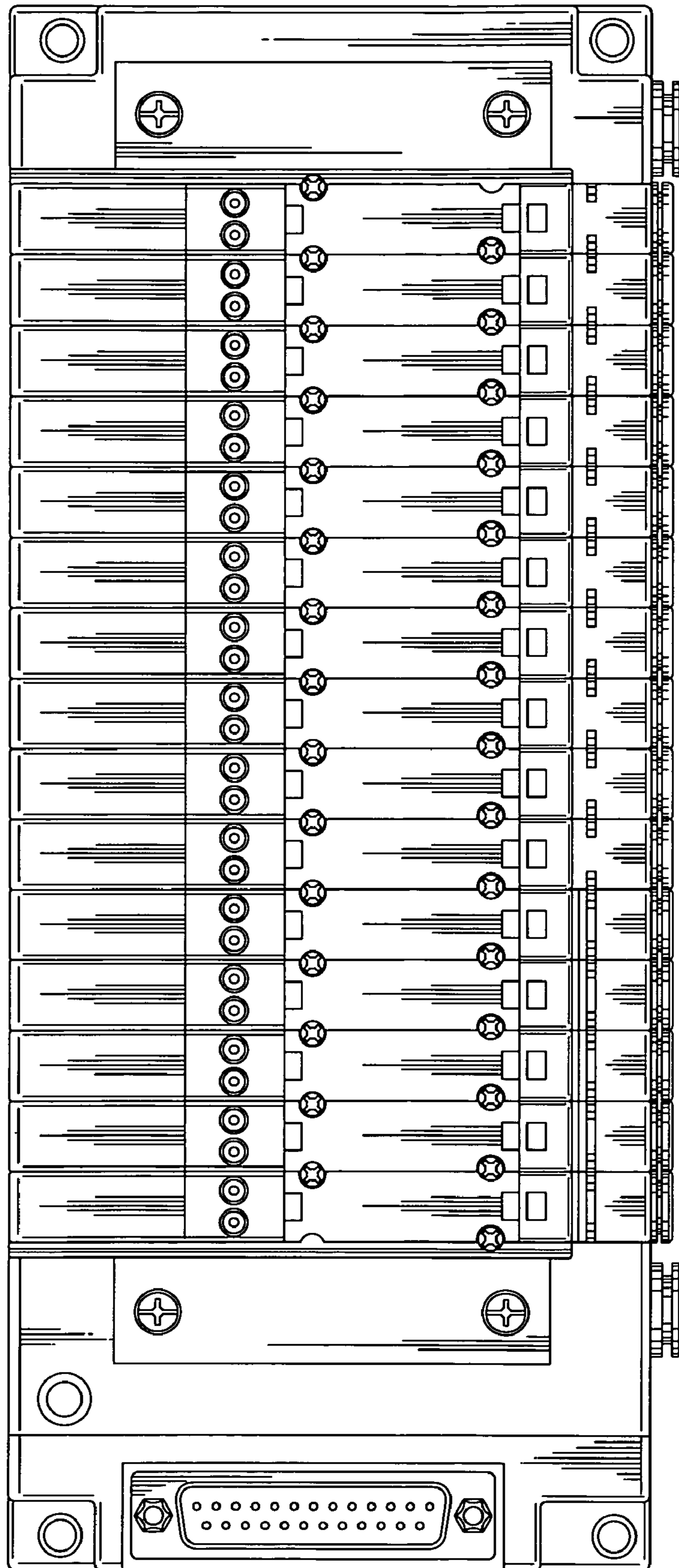


FIG. 6

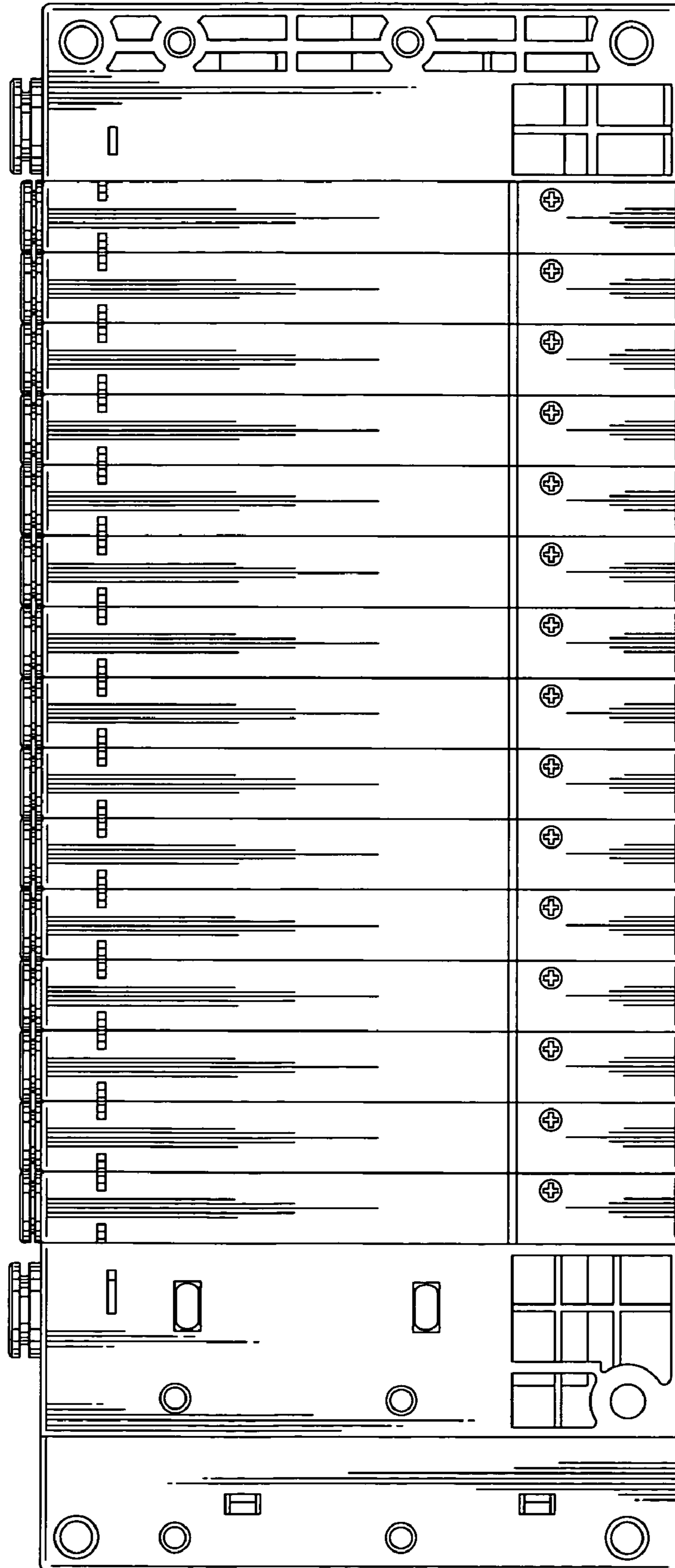


FIG. 7

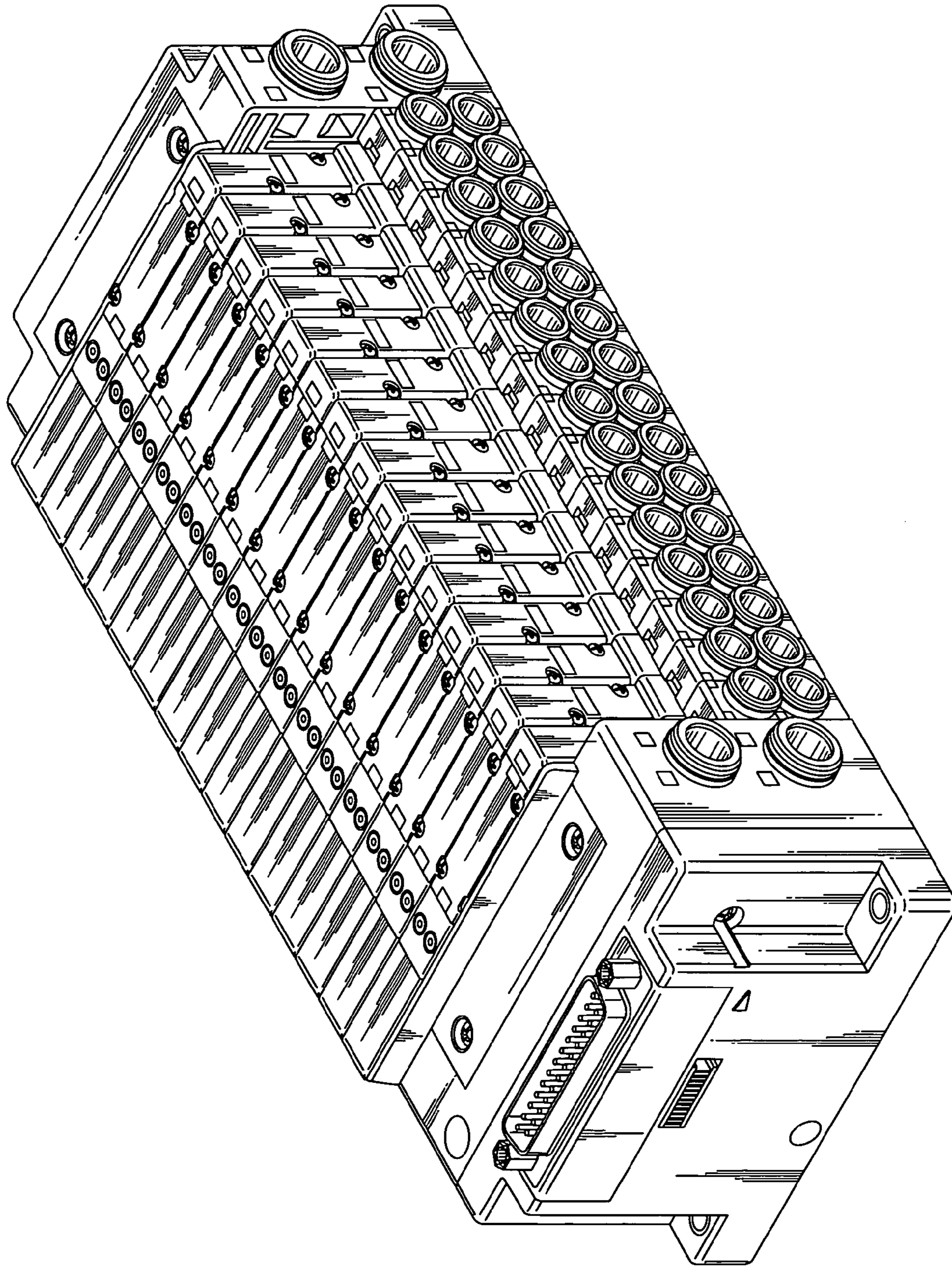




FIG. 8

