



US00D595809S

(12) **United States Design Patent**
Madsen et al.

(10) **Patent No.:** **US D595,809 S**
(45) **Date of Patent:** **** Jul. 7, 2009**

(54) **FLUID DISTRIBUTION EQUIPMENT**

(75) Inventors: **Karsten Schack Madsen**, Odense C (DK); **Per Phillip**, Vissenbjerg (DK); **Elise Mortensen**, Kolding (DK); **Soren Borg**, Egtved (DK)

(73) Assignee: **Alfa Laval Kolding A/S**, Kolding (DK)

(**) Term: **14 Years**

(21) Appl. No.: **29/273,130**

(22) Filed: **Feb. 27, 2007**

(30) **Foreign Application Priority Data**

Aug. 30, 2006 (EM) 000581806

(51) **LOC (9) Cl.** **23-01**

(52) **U.S. Cl.** **D23/233**

(58) **Field of Classification Search** D23/233-237,
D23/244-249, 225, 213; 417/411; 137/140,
137/636.3, 636.2, 625.4, 625.41, 625.17,
137/625.65

See application file for complete search history.

(56) **References Cited**

U.S. PATENT DOCUMENTS

1,382,412 A * 6/1921 Campbell 251/129.03
7,335,002 B2 * 2/2008 Vicars 417/360
2002/0079006 A1 * 6/2002 Entwistle et al. 137/625.65
2005/0056327 A1 * 3/2005 Daut et al. 137/625.65
2006/0124182 A1 * 6/2006 Kim 137/625.65

2006/0225797 A1 * 10/2006 Armiroli et al. 137/625.65
2007/0056644 A1 * 3/2007 Boddy 137/625.65

* cited by examiner

Primary Examiner—Ian Simmons

Assistant Examiner—Maurice Stevens

(74) *Attorney, Agent, or Firm*—Collard & Roe, P.C.

(57) **CLAIM**

The ornamental design for fluid distribution equipment, as shown and described.

DESCRIPTION

FIG. 1 shows a front view of my design for fluid distribution equipment;

FIG. 2 shows a side view thereof;

FIG. 3 shows a rear view thereof;

FIG. 4 shows an opposite side view thereof;

FIG. 5 shows a front perspective view from the bottom thereof;

FIG. 6 shows a top view thereof;

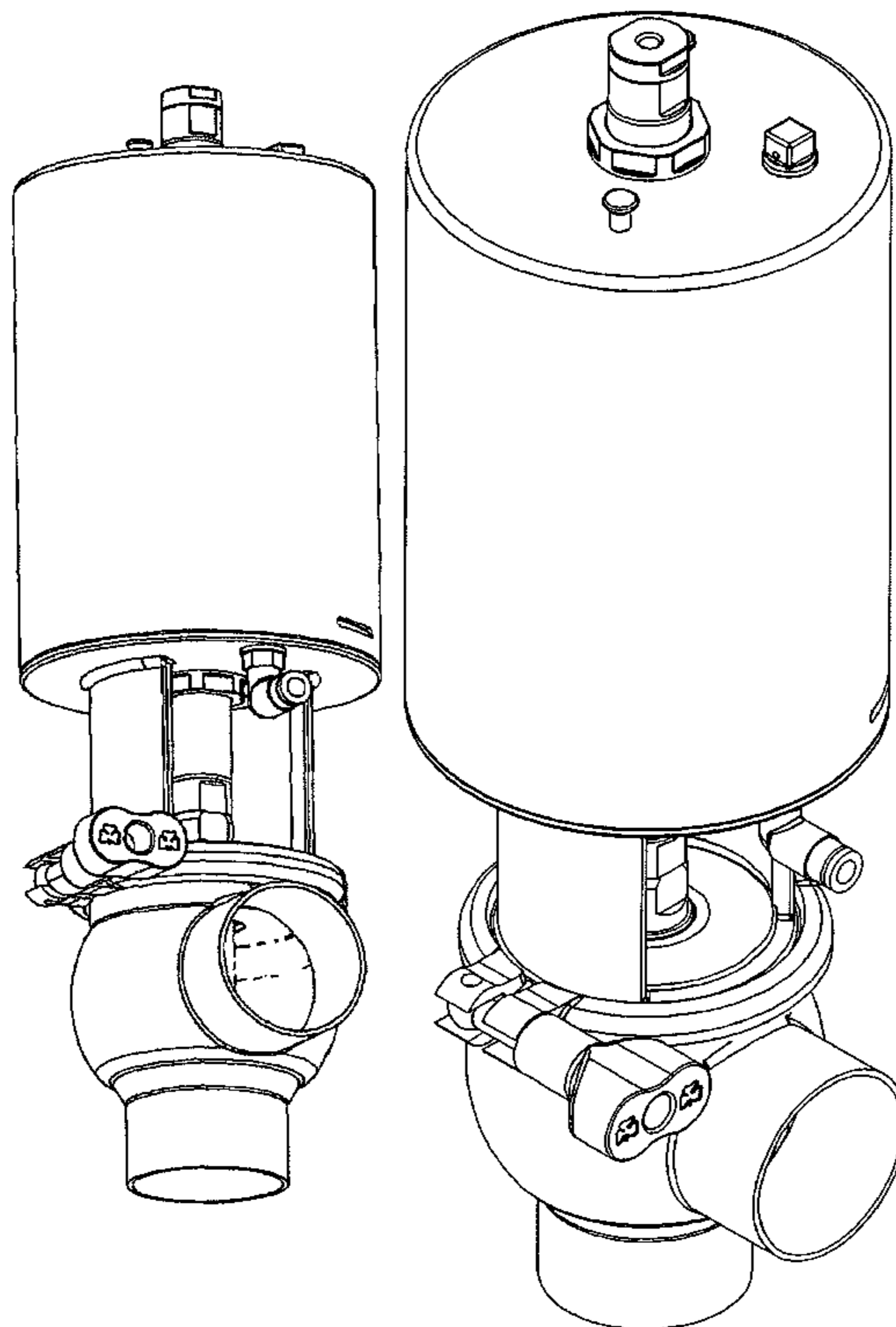
FIG. 7 shows a front perspective view from the top thereof;

FIG. 8 shows a side perspective view from the top thereof; and,

FIG. 9 shows a bottom perspective view from the bottom thereof.

The areas shown in broken lines form no part of the claimed invention.

1 Claim, 9 Drawing Sheets



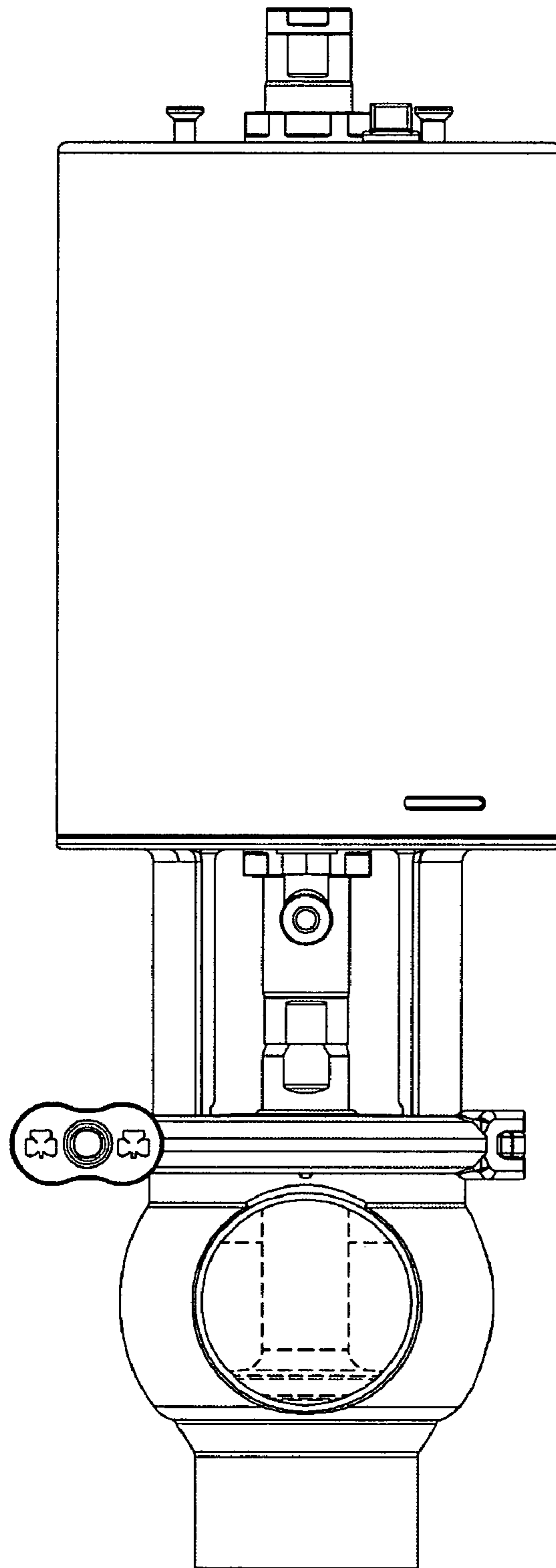


FIG. 1

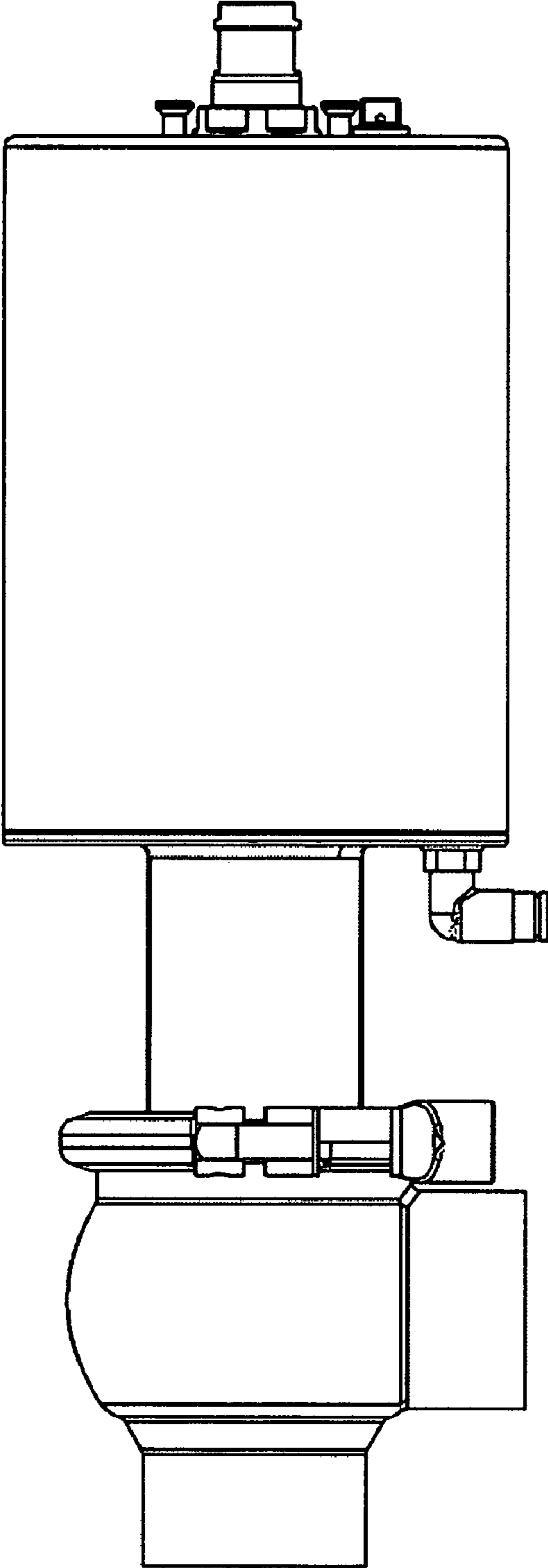


FIG. 2

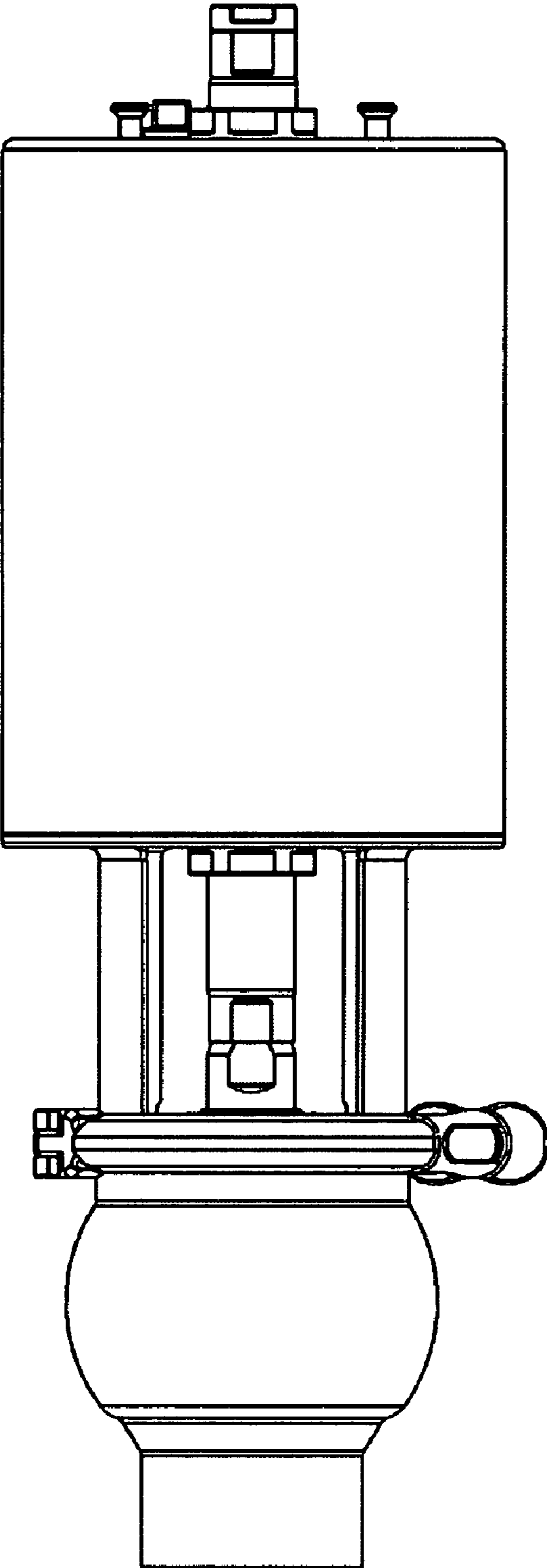


FIG. 3

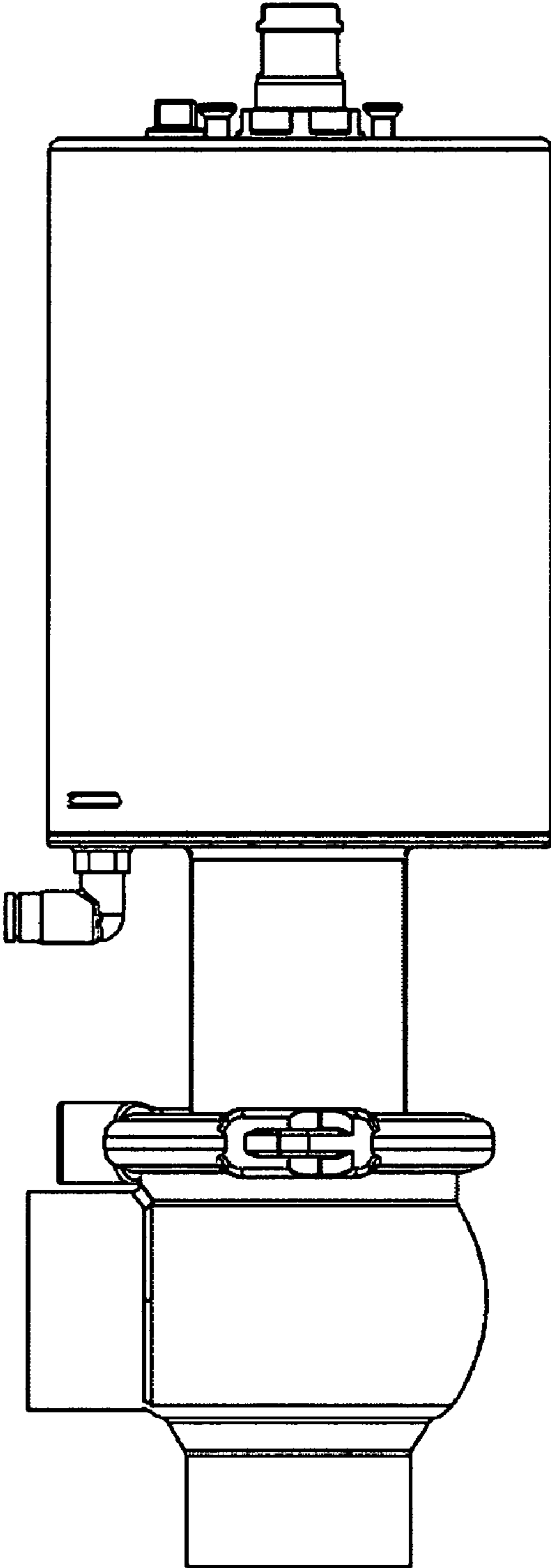


FIG. 4

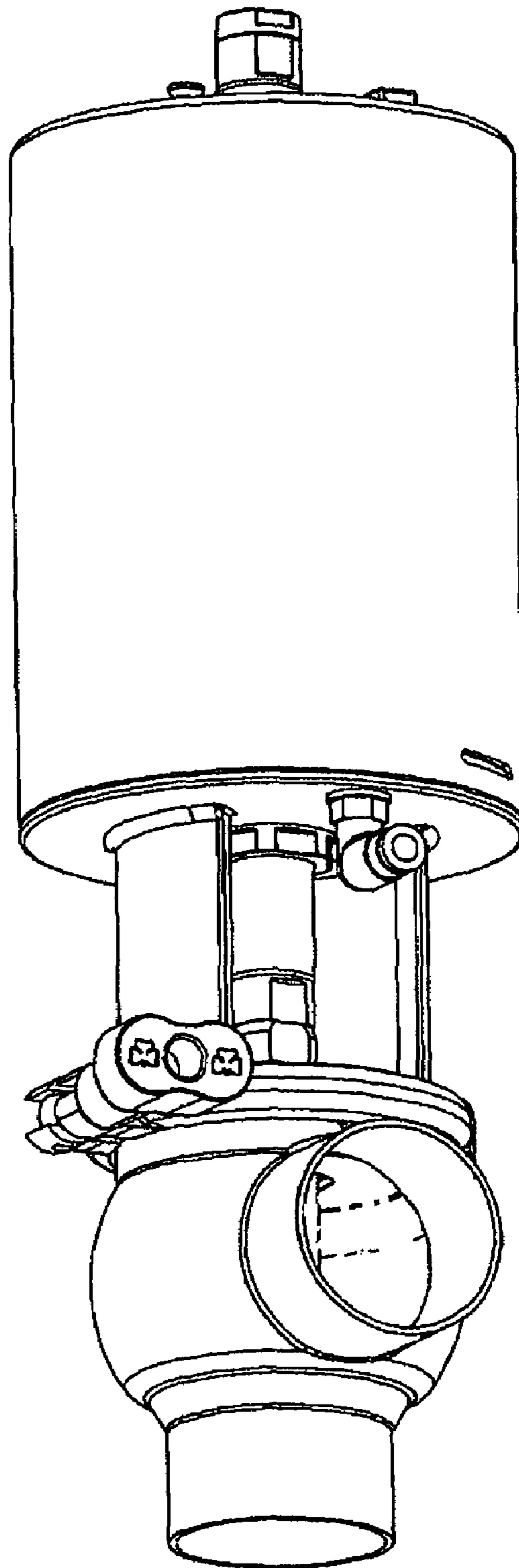


FIG. 5

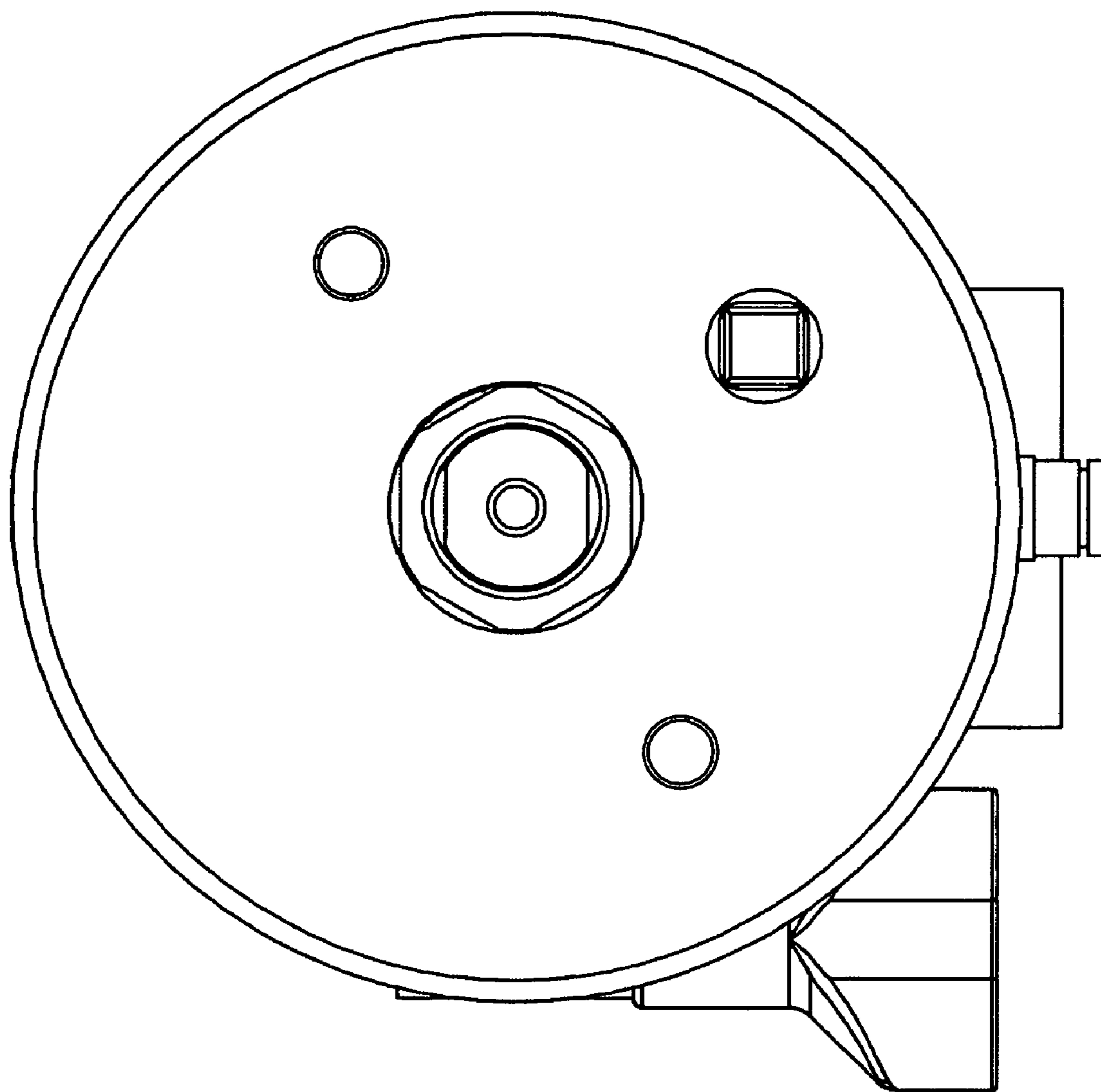


FIG. 6

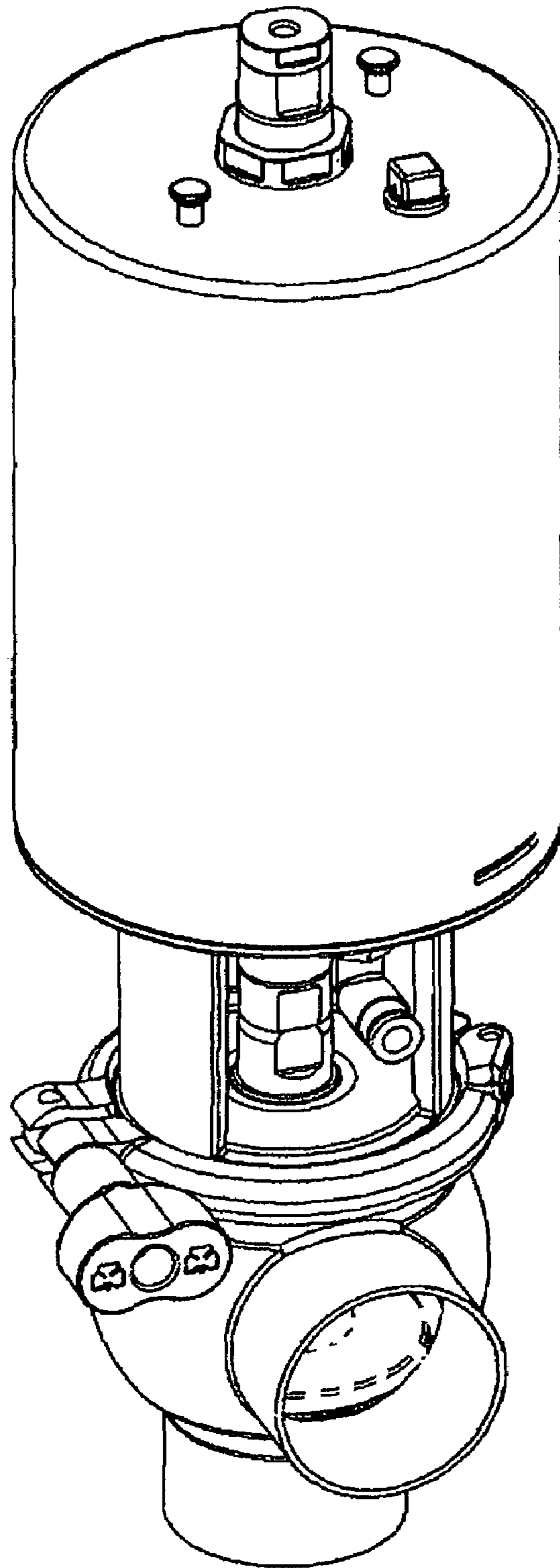


FIG. 7

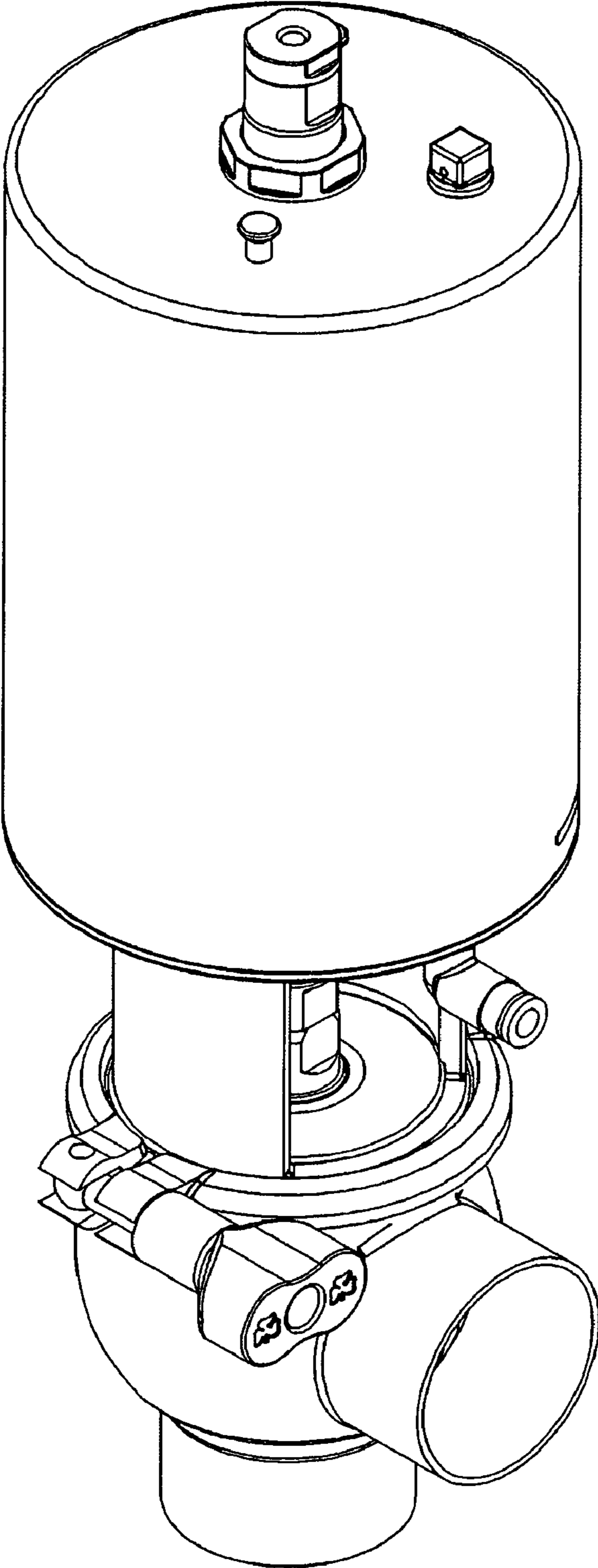


FIG. 8

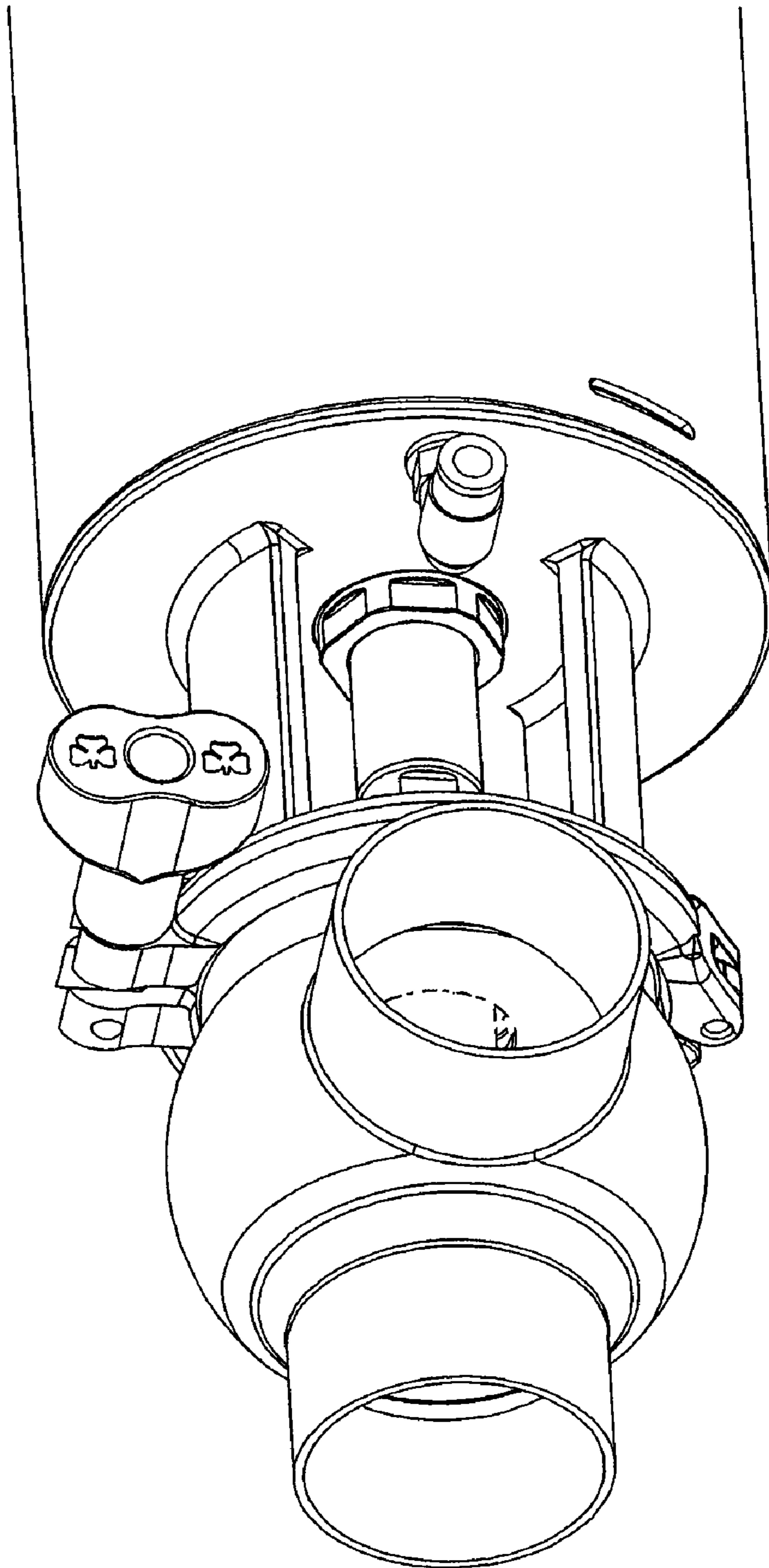


FIG. 9