



US00D595808S

(12) **United States Design Patent**
Baltes

(10) **Patent No.:** **US D595,808 S**

(45) **Date of Patent:** **** Jul. 7, 2009**

(54) **FISHING ROD AND BEVERAGE HOLDER**

D461,521 S * 8/2002 Krueger D22/147
D499,789 S * 12/2004 Bridgewater D22/147

(75) Inventor: **Michael Baltes**, Hobe Sound, FL (US)

* cited by examiner

(73) Assignee: **MTB Designs, Inc.**, Hobe Sound, FL (US)

Primary Examiner—Catherine R Oliver
(74) *Attorney, Agent, or Firm*—McHale & Slavin, P.A.

(*) Notice: This patent is subject to a terminal disclaimer.

(57) **CLAIM**

(**) Term: **14 Years**

The ornamental design for a fishing rod and beverage holder, as shown and described.

(21) Appl. No.: **29/323,480**

DESCRIPTION

(22) Filed: **Aug. 26, 2008**

(51) **LOC (9) Cl.** **22-05**

FIG. 1 is a top perspective view of the fishing rod and beverage holder of the instant invention;

(52) **U.S. Cl.** **D22/147**

FIG. 2 is a top perspective view thereof;

(58) **Field of Classification Search** D22/147–148,
D22/138–139; 43/16–17, 18.1, 18.5, 19,
43/21.2; 248/156, 511, 530–532, 545; D11/182;
D6/552–553

FIG. 3 is a right side view thereof, the left side view being a mirror image thereof;

See application file for complete search history.

FIG. 4 is a rear view thereof;

FIG. 5 is a front view thereof;

FIG. 6 is a top view thereof; and,

FIG. 7 is a bottom view thereof.

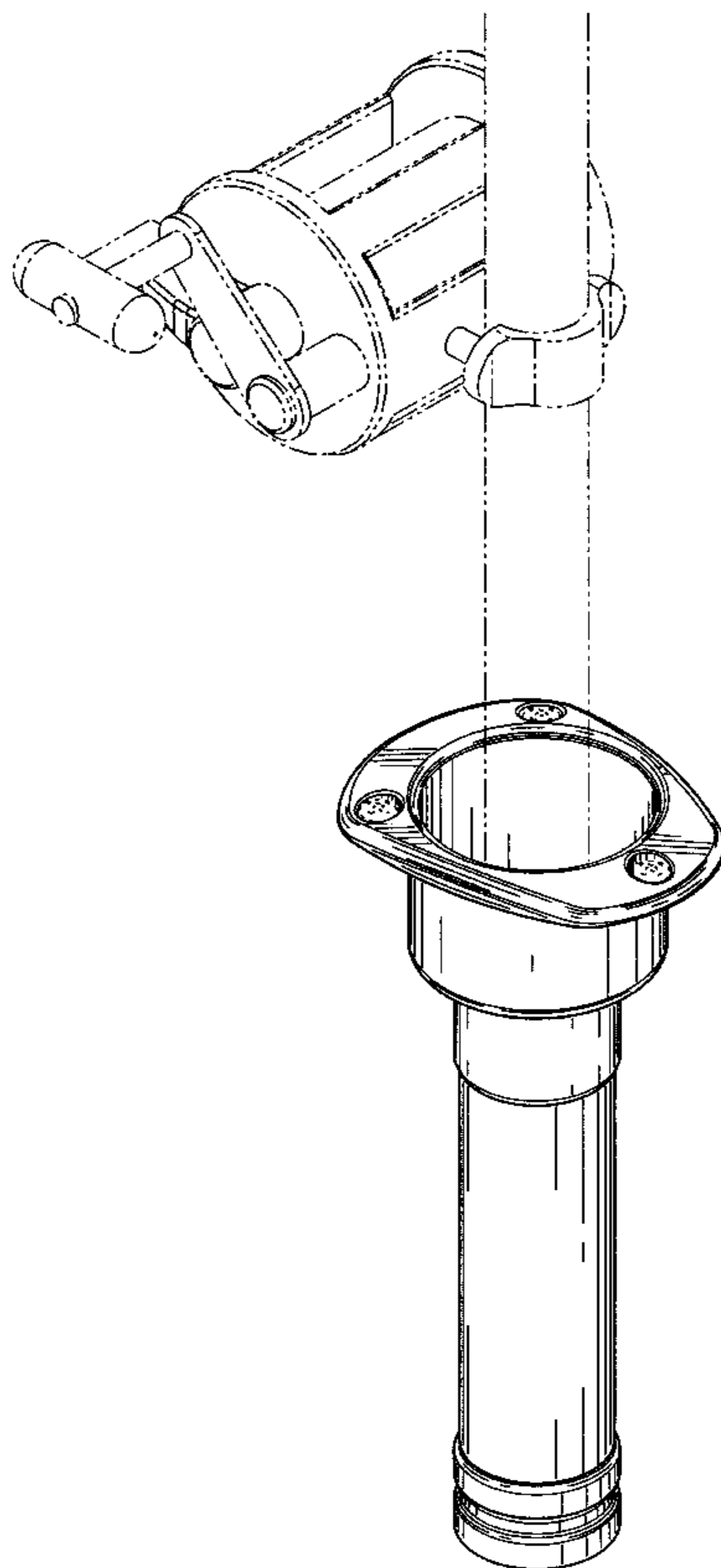
The portions of the Figures shown in broken lines are for illustrative purposes only and form no part of the claimed design.

(56) **References Cited**

U.S. PATENT DOCUMENTS

- D352,342 S * 11/1994 Arck D22/147
- D377,387 S * 1/1997 Mathewson D22/147
- D390,308 S * 2/1998 Sieland et al. D22/147
- D399,367 S * 10/1998 Sieland et al. D22/147

1 Claim, 4 Drawing Sheets



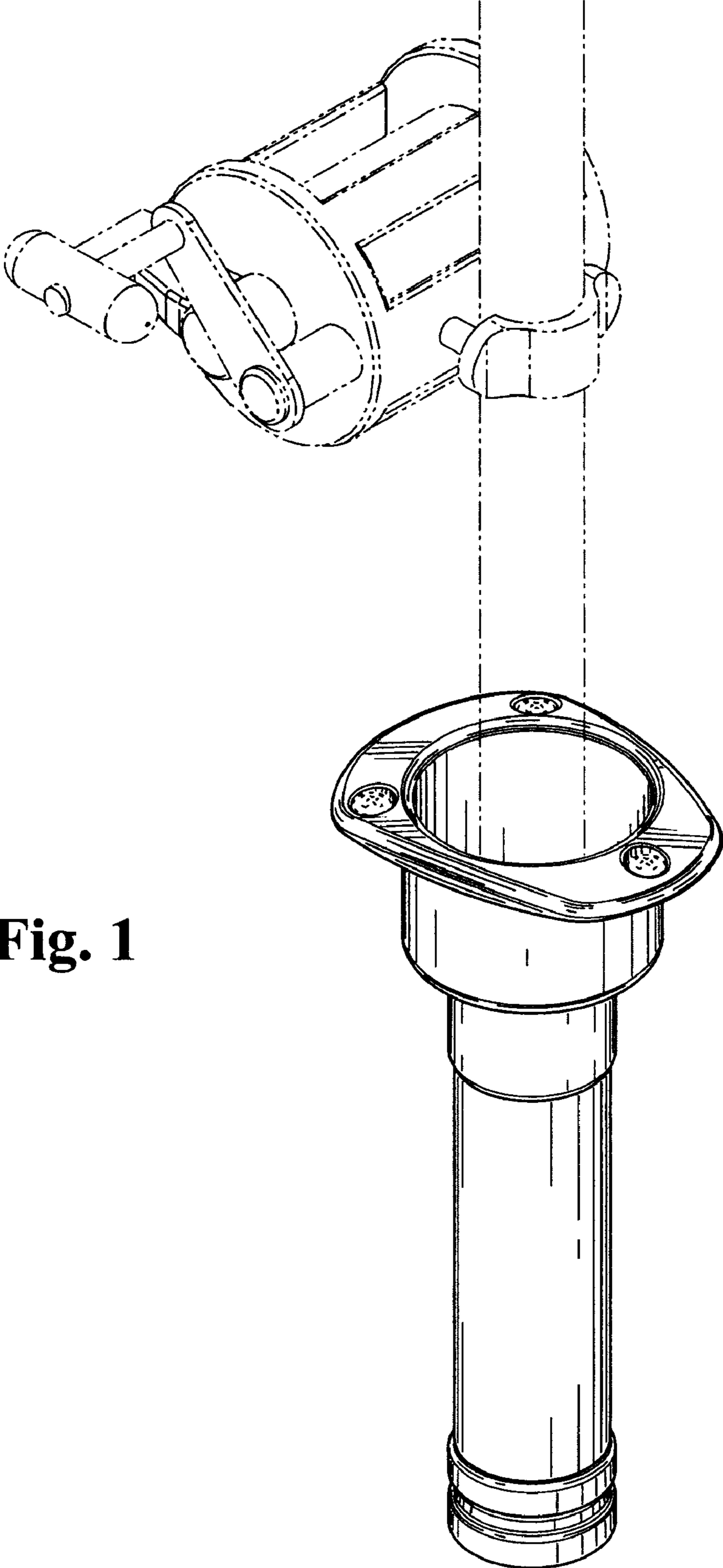


Fig. 1

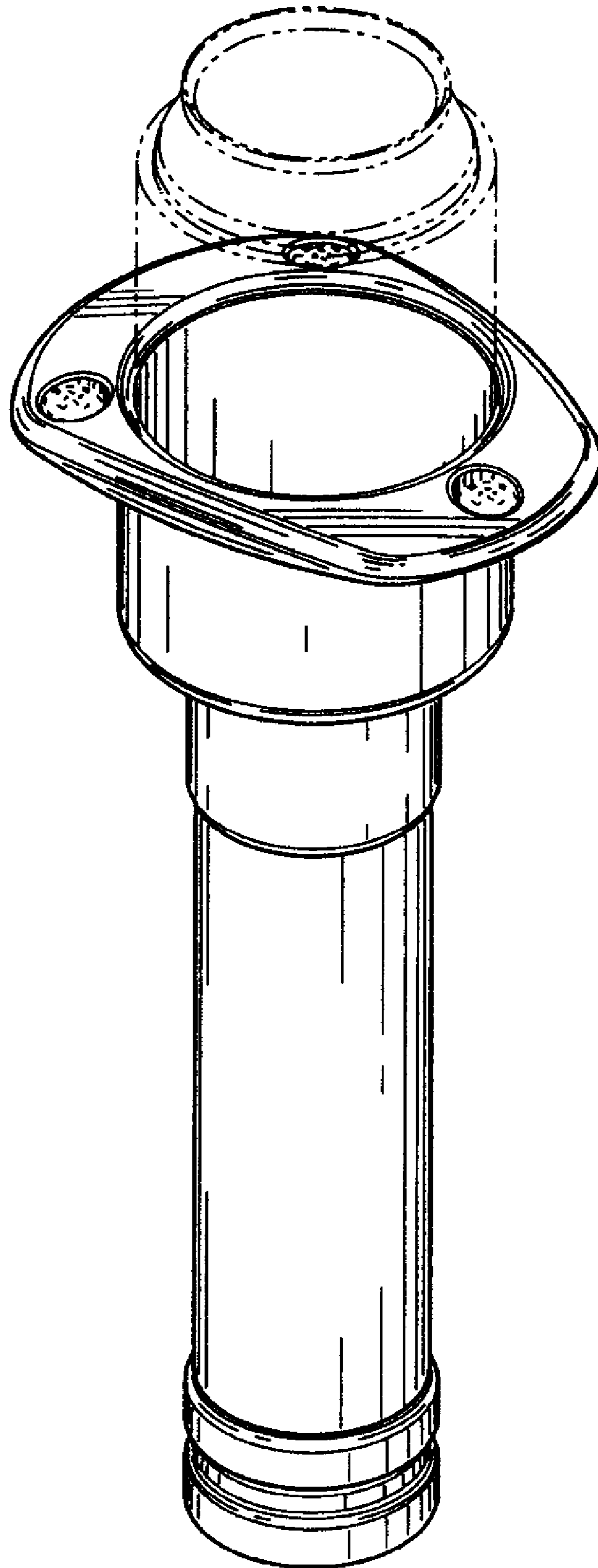


Fig. 2

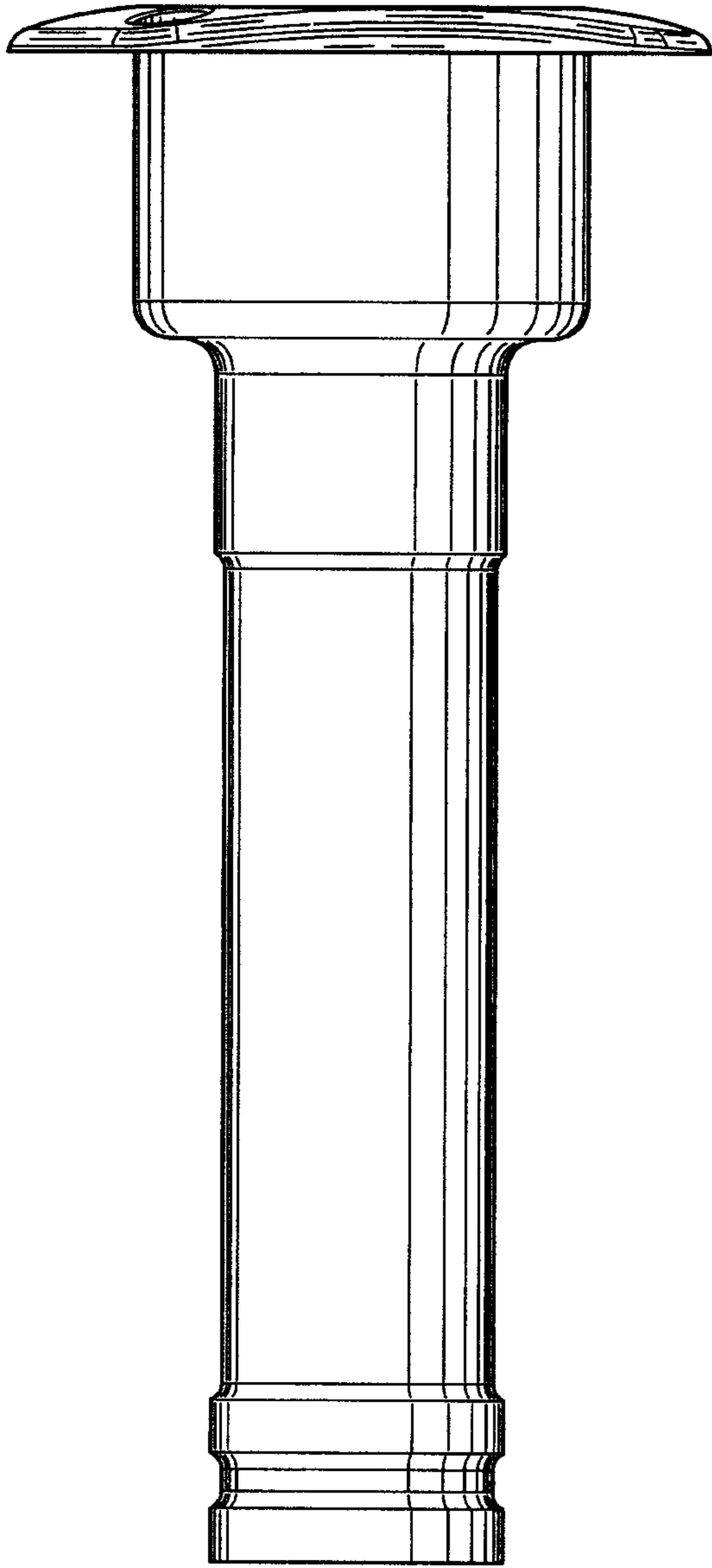


Fig. 3

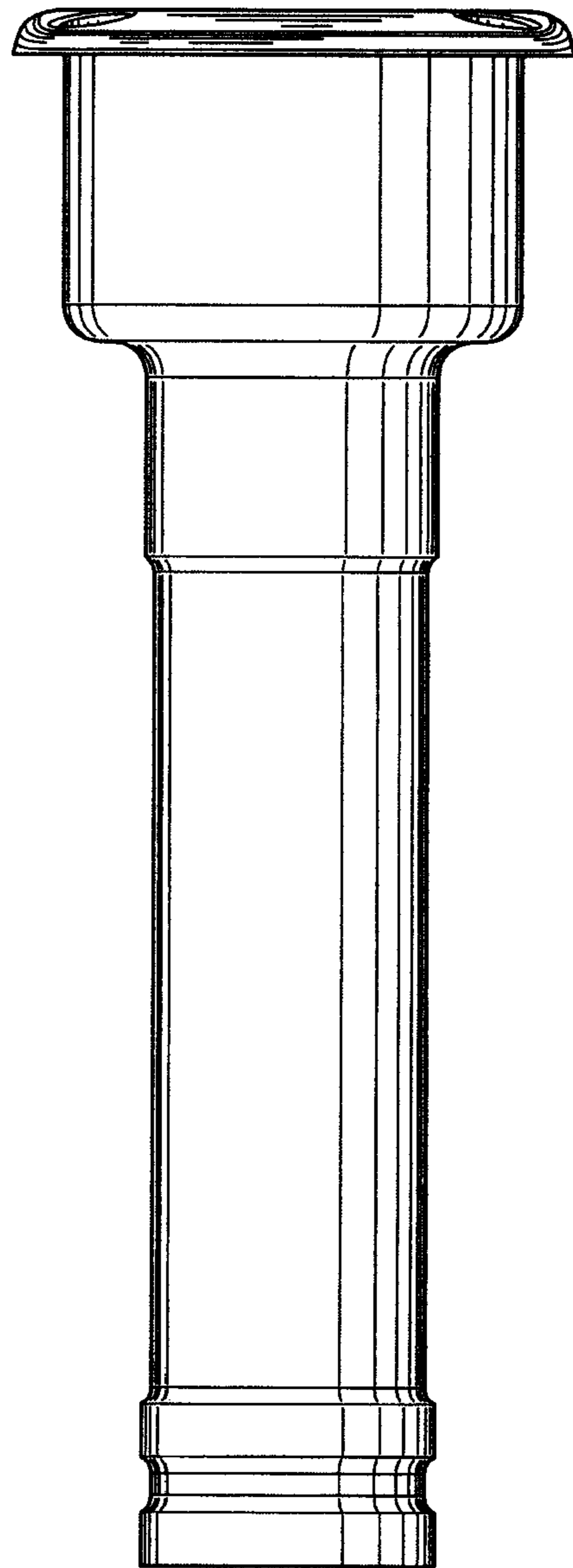


Fig. 4

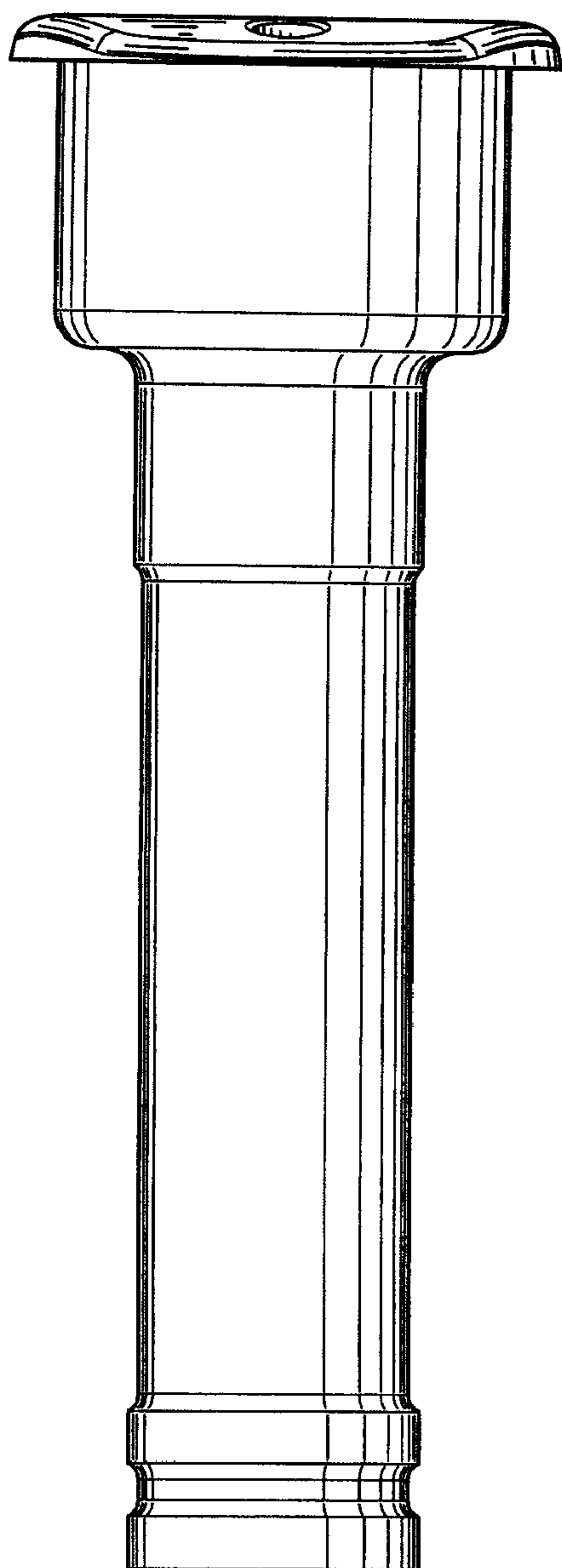


Fig. 5

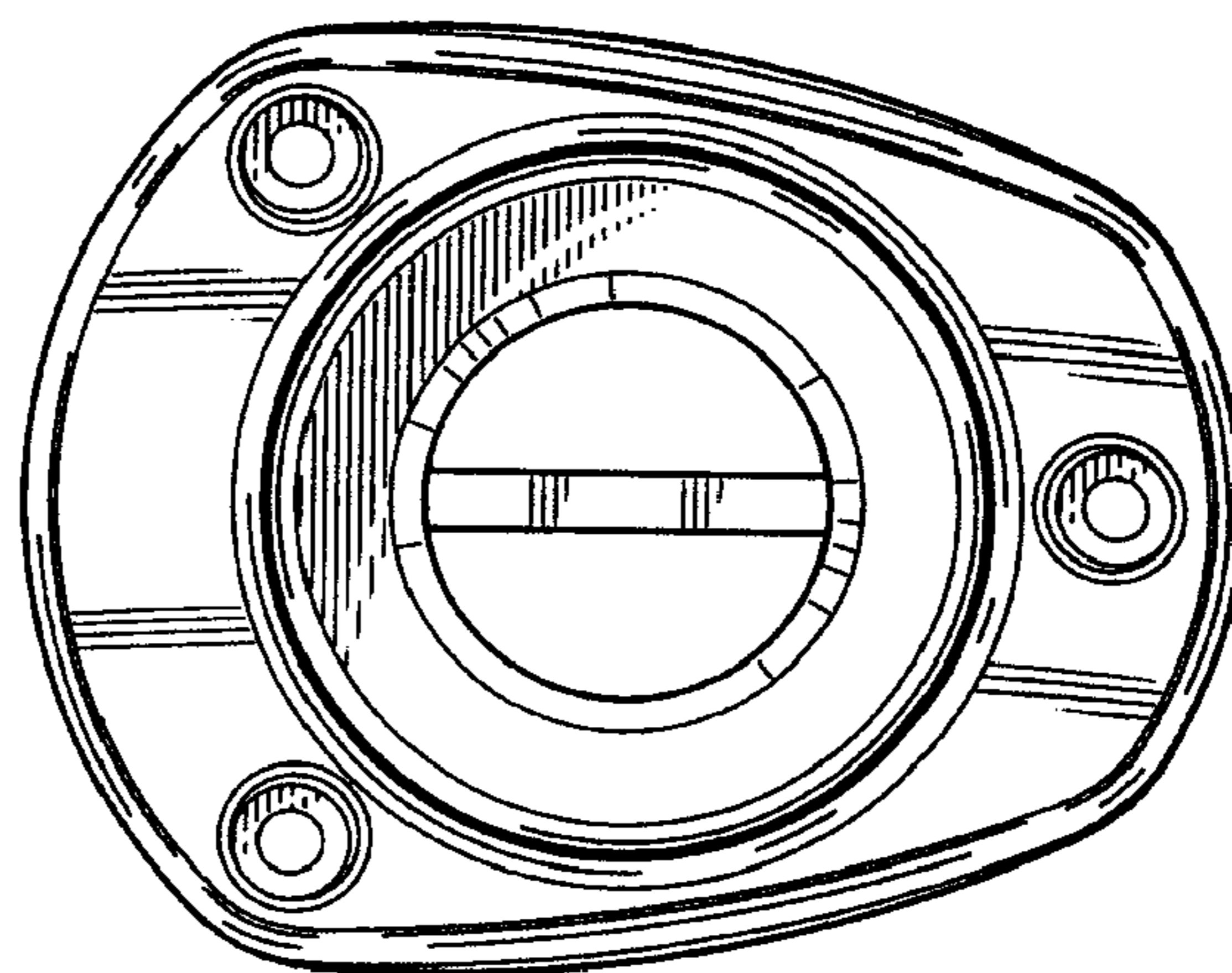


Fig. 6

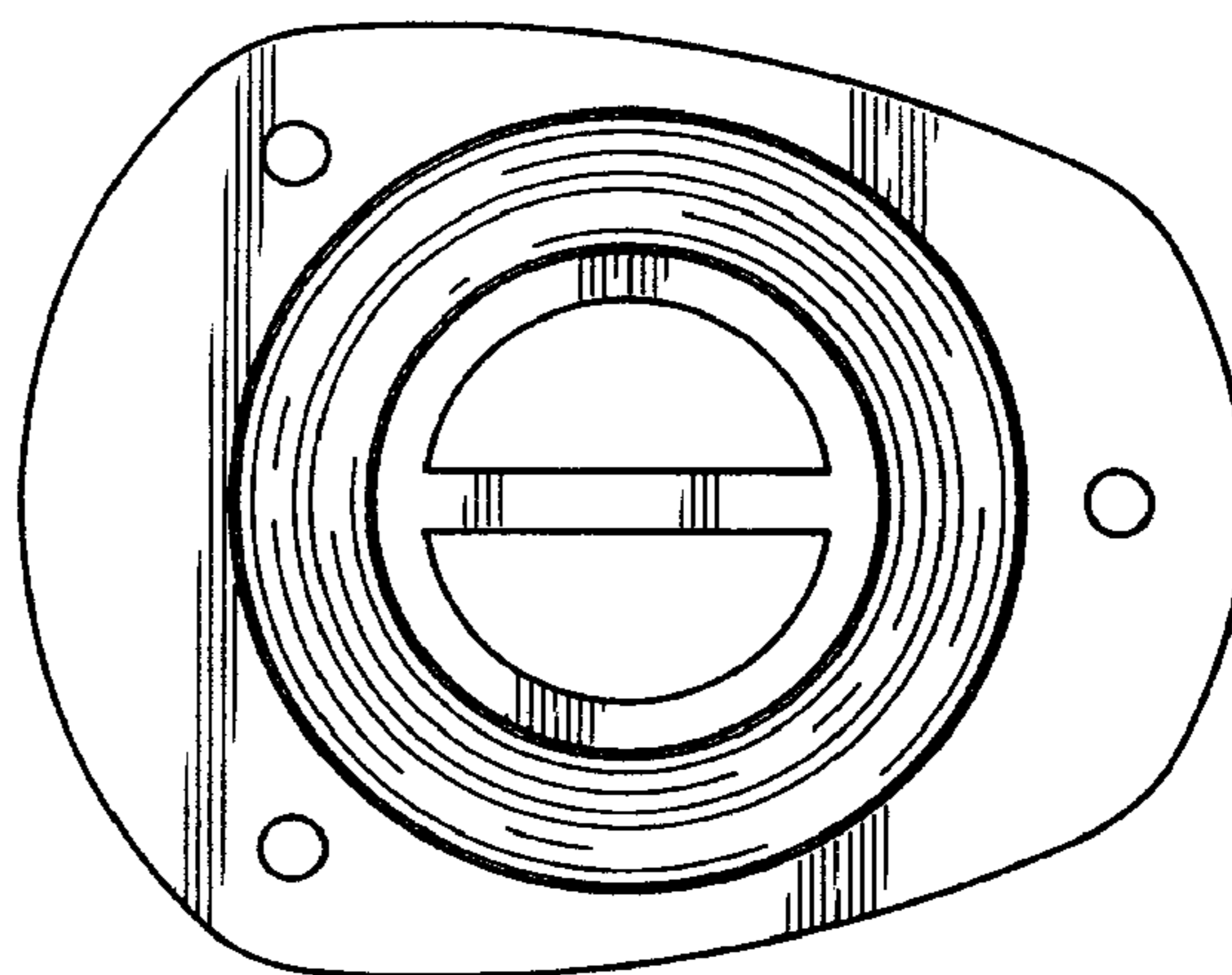


Fig. 7