



US00D595806S

(12) **United States Design Patent**
Nago

(10) **Patent No.:** **US D595,806 S**
(45) **Date of Patent:** **** Jul. 7, 2009**

(54) **FISHING REEL**

(75) Inventor: **Akira Nago**, Osaka (JP)

(73) Assignee: **Shimano Inc.**, Osaka (JP)

(**) Term: **14 Years**

(21) Appl. No.: **29/326,904**

(22) Filed: **Oct. 27, 2008**

(30) **Foreign Application Priority Data**

Jun. 19, 2008 (JP) 2008-015662

(51) **LOC (9) Cl.** **22-05**

(52) **U.S. Cl.** **D22/140**

(58) **Field of Classification Search** D22/140-141,
D22/137-139; 242/223, 310, 314, 370; 43/19-21
See application file for complete search history.

(56) **References Cited**

U.S. PATENT DOCUMENTS

D572,336 S *	7/2008	Asano et al.	D22/140
D578,178 S *	10/2008	Sekimoto et al.	D22/140
D579,075 S *	10/2008	Sekimoto et al.	D22/140
D583,010 S *	12/2008	Gray	D22/140

* cited by examiner

Primary Examiner—Catherine R Oliver
(74) *Attorney, Agent, or Firm*—Global IP Counselors, LLP

(57) **CLAIM**

The ornamental design for a fishing reel, as shown and described.

DESCRIPTION

FIG. 1 is a top left side perspective view of a fishing reel in accordance with my new design;

FIG. 2 is a bottom right side perspective view of the fishing reel of FIG. 1;

FIG. 3 is top right side perspective view of the fishing reel of FIG. 1;

FIG. 4 is a top plan view of the fishing reel of FIG. 1;

FIG. 5 is a bottom plan view of the fishing reel of FIG. 1;

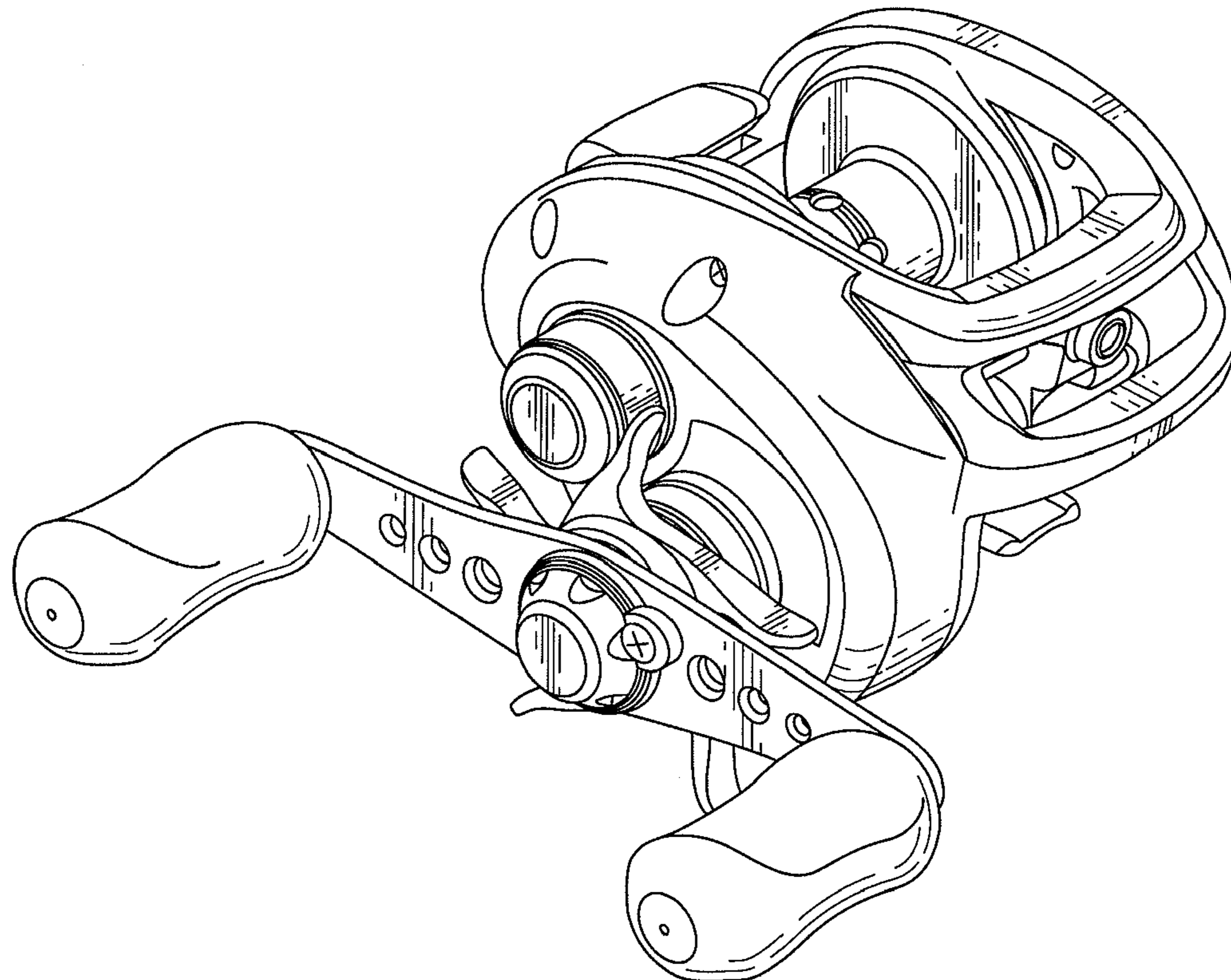
FIG. 6 is a front end elevational view of the fishing reel of FIG. 1;

FIG. 7 is a rear end elevational view of the fishing reel of FIG. 1;

FIG. 8 is a left side elevational view of the fishing reel of FIG. 1; and,

FIG. 9 is a right side elevational view of the fishing reel of FIG. 1.

1 Claim, 5 Drawing Sheets



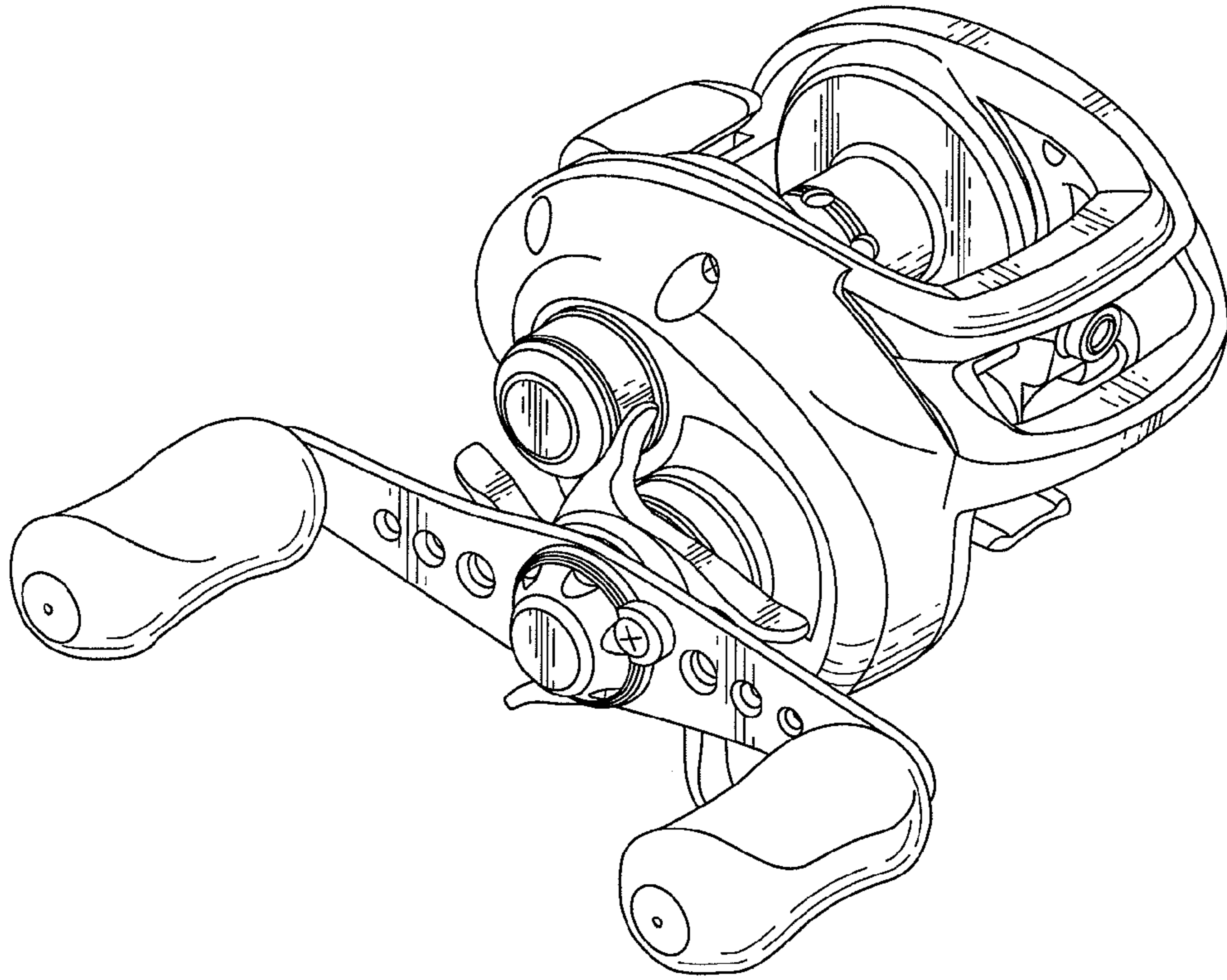


FIG. 1

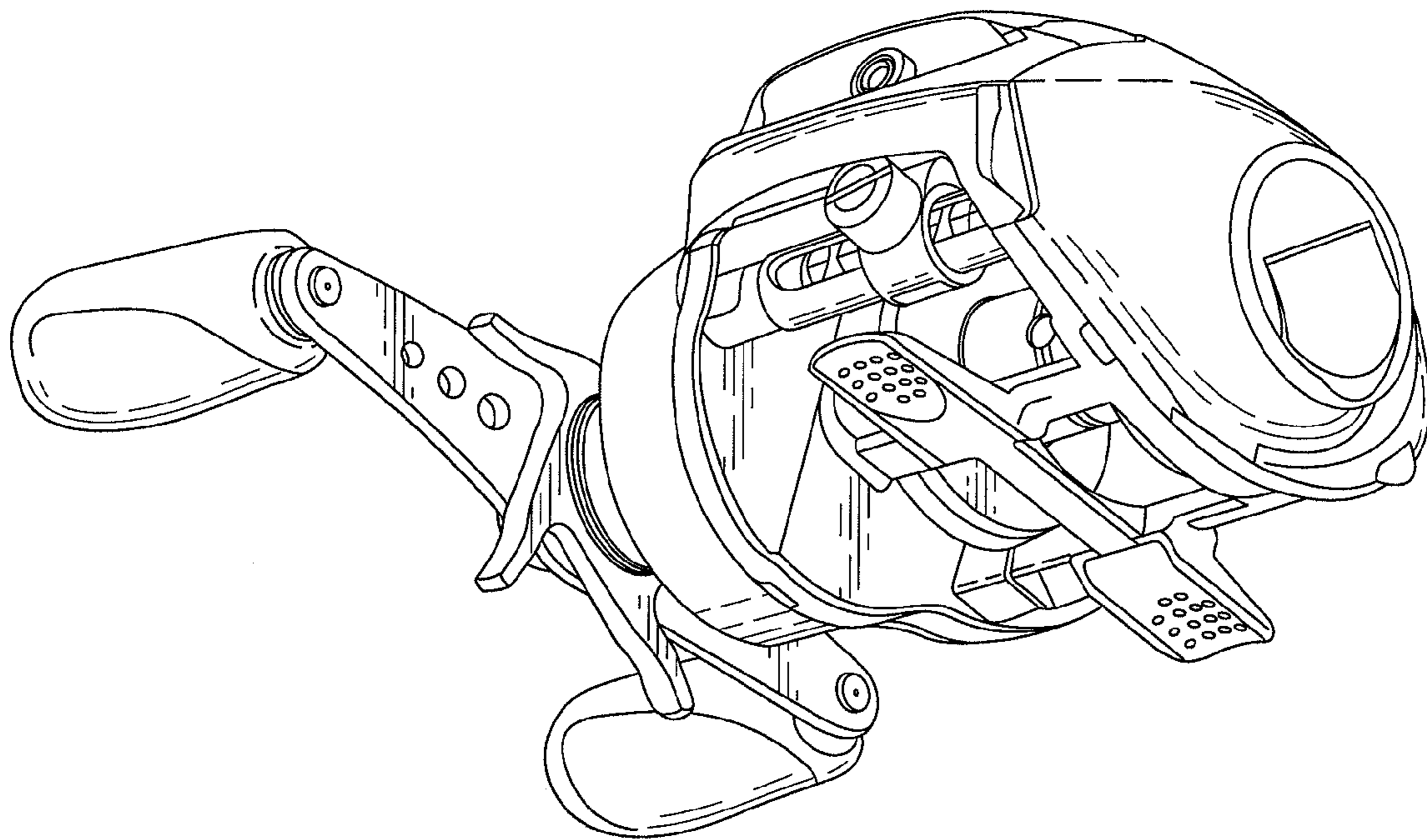


FIG. 2

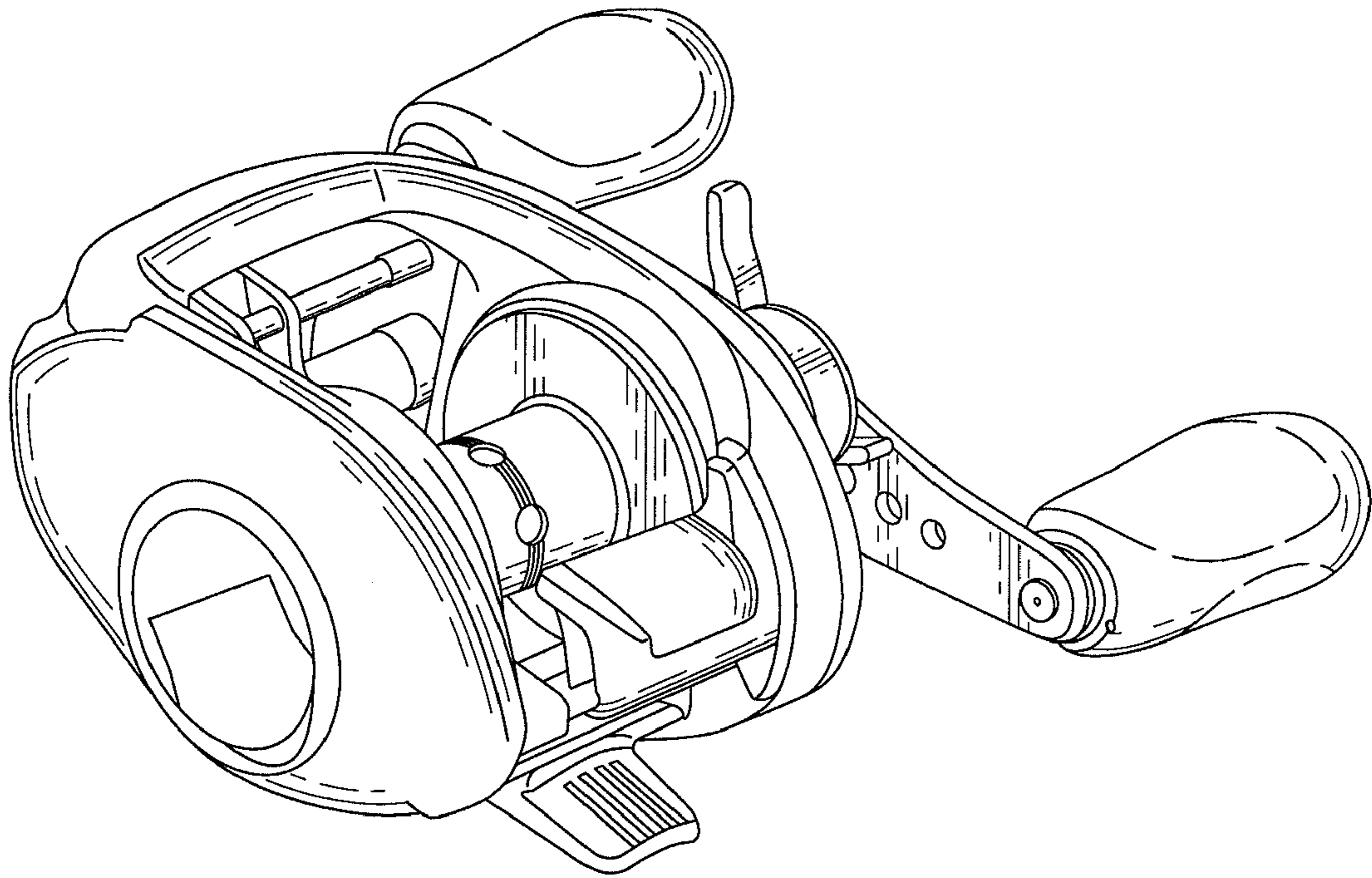


FIG. 3

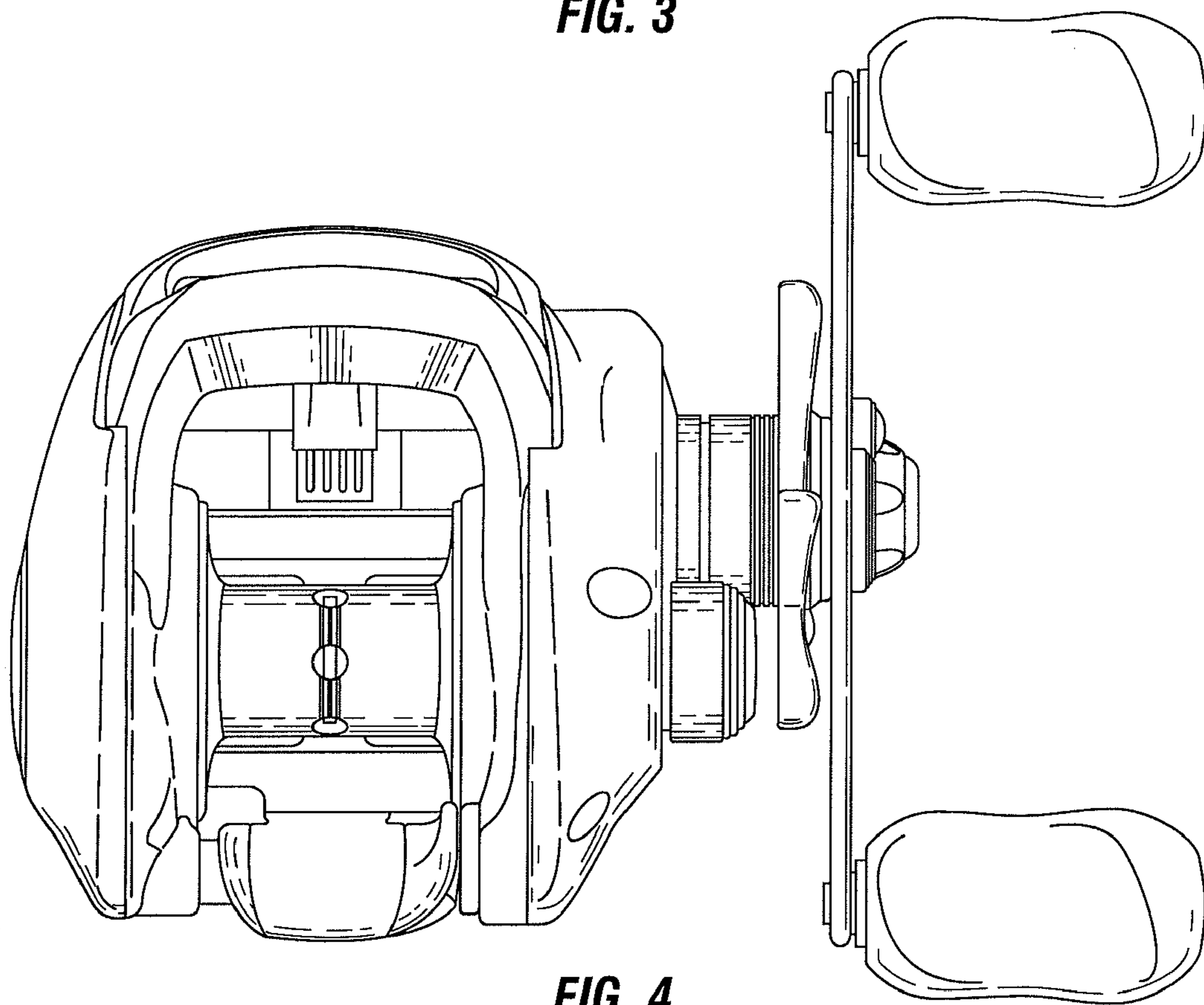


FIG. 4

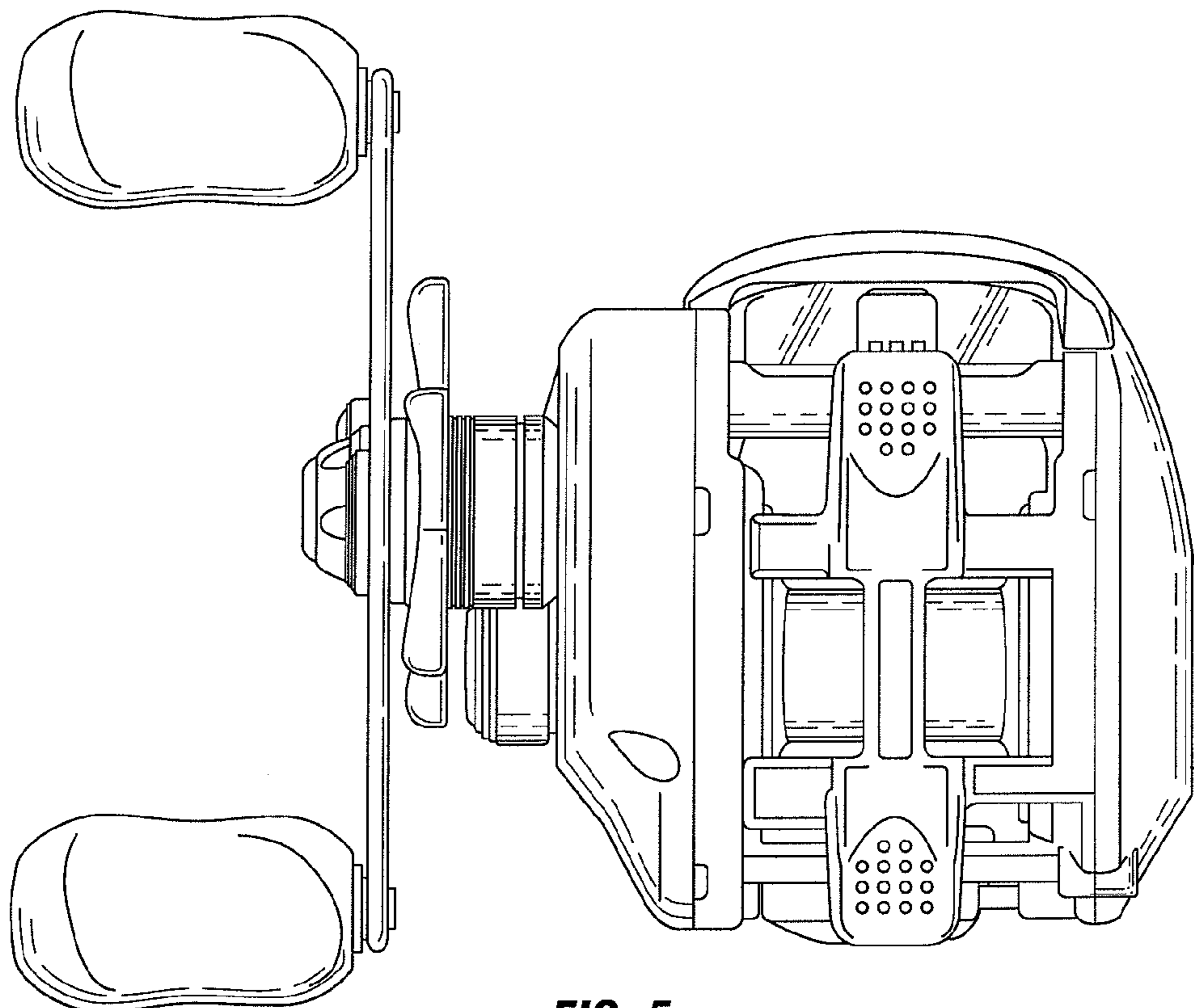


FIG. 5

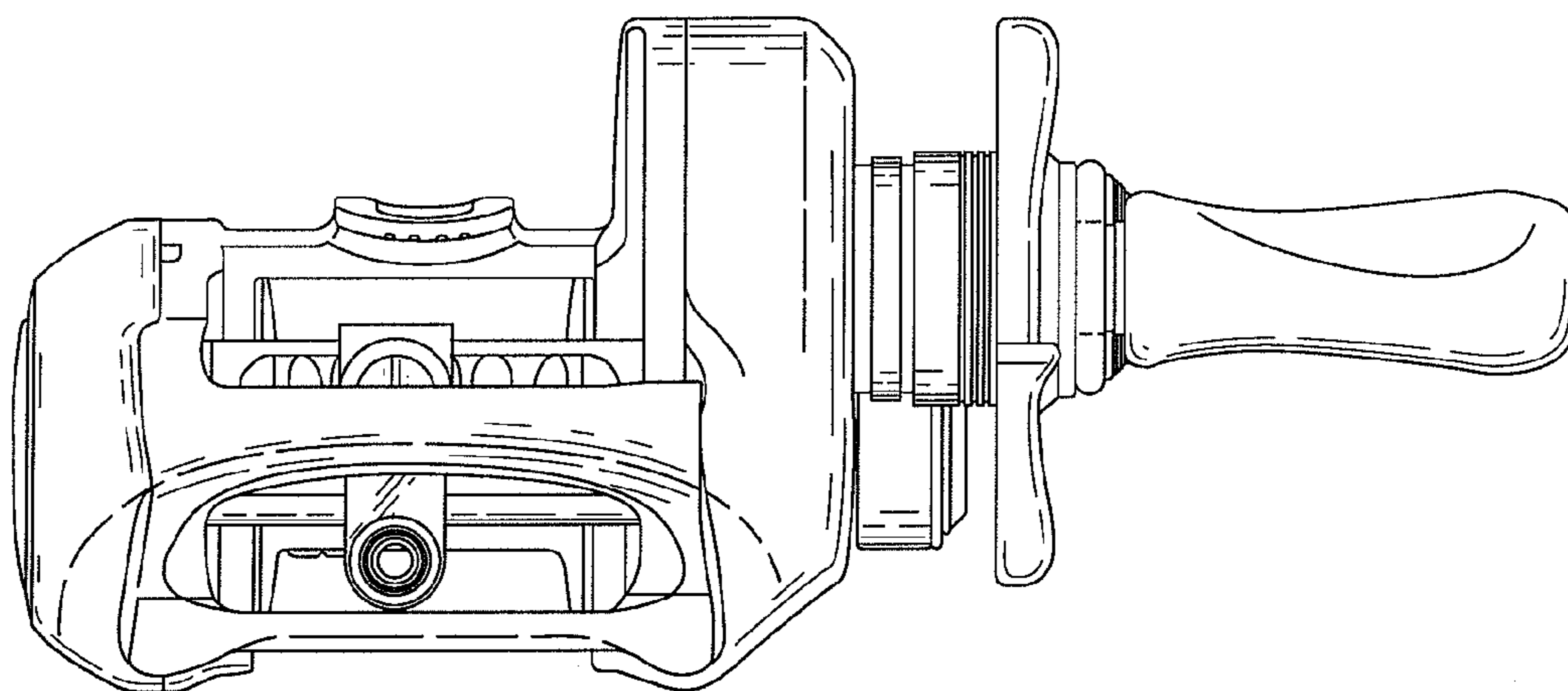


FIG. 6

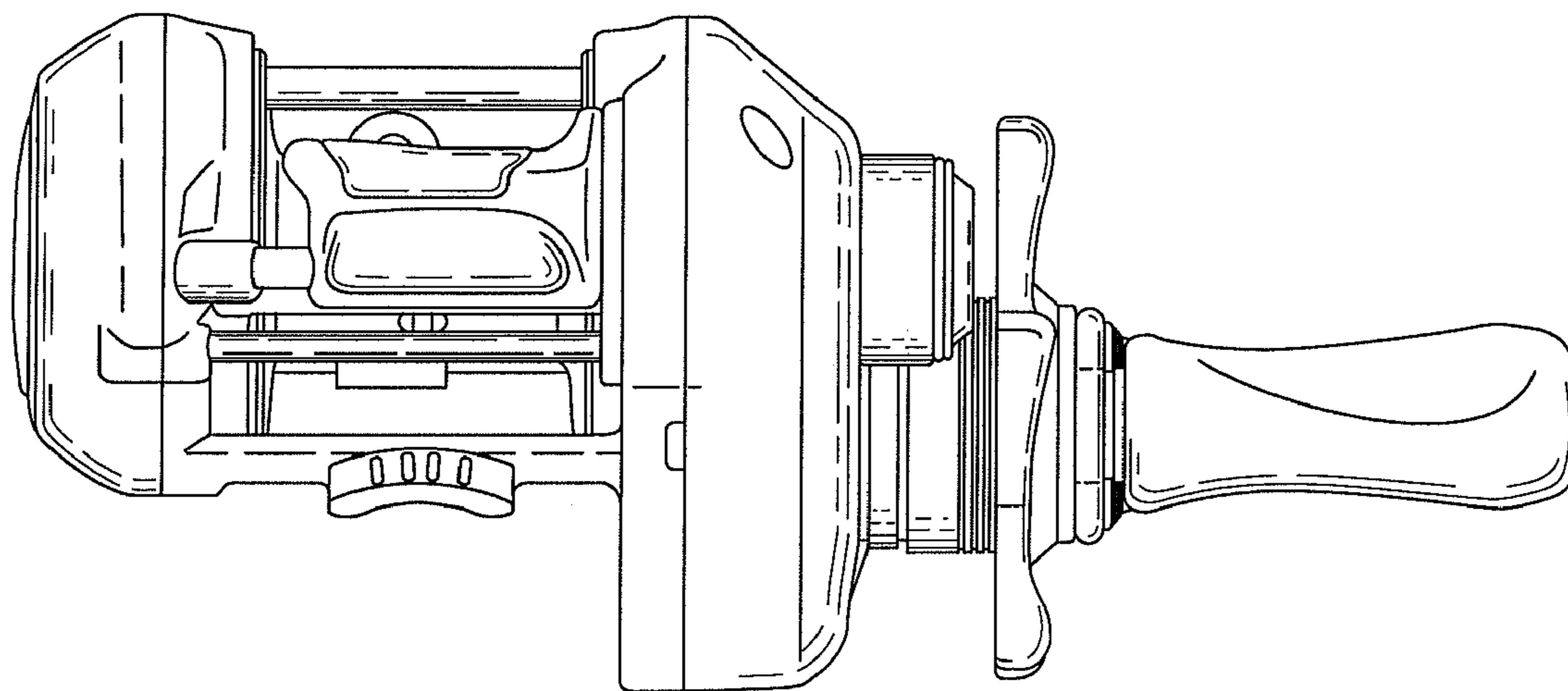


FIG. 7

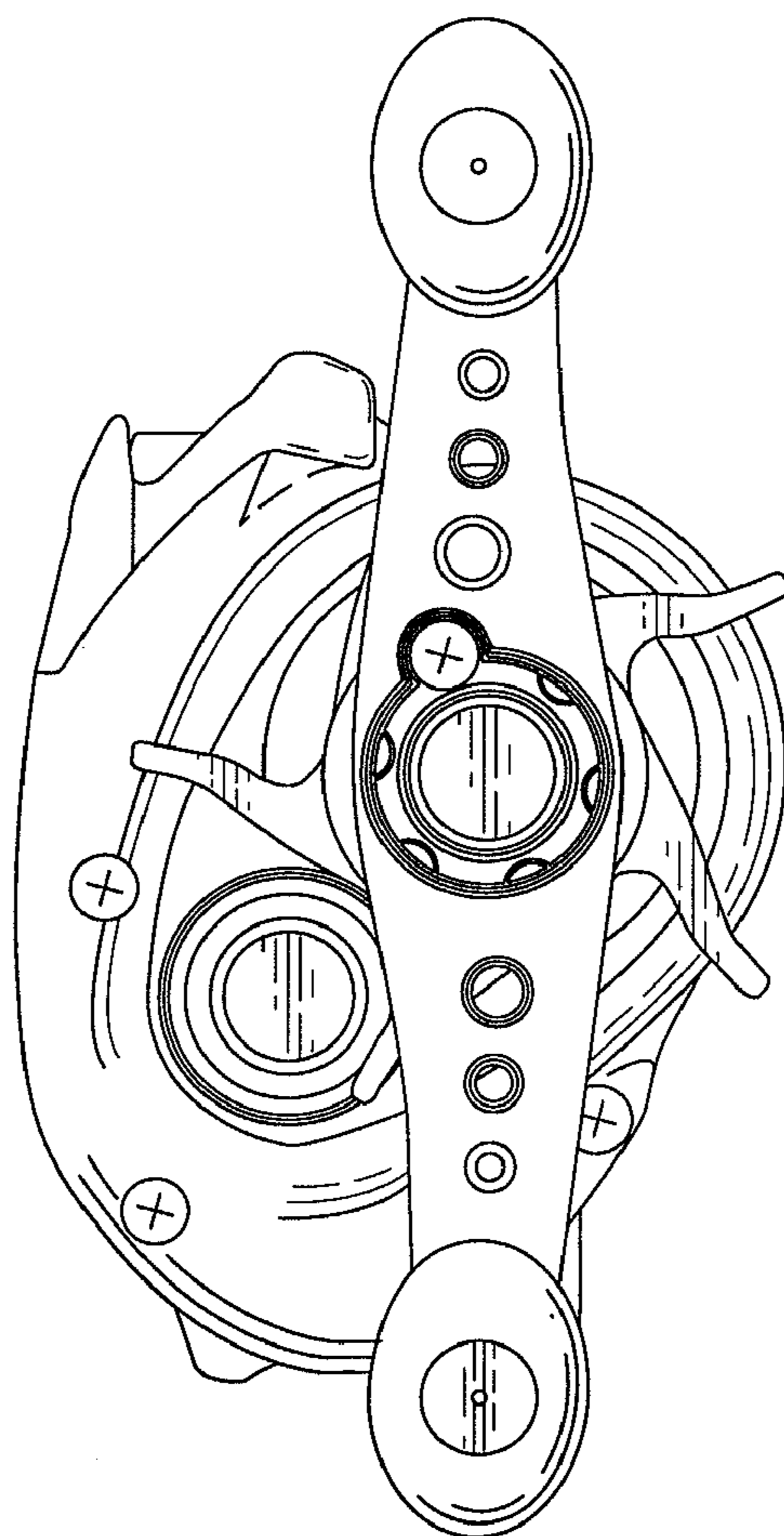


FIG. 8

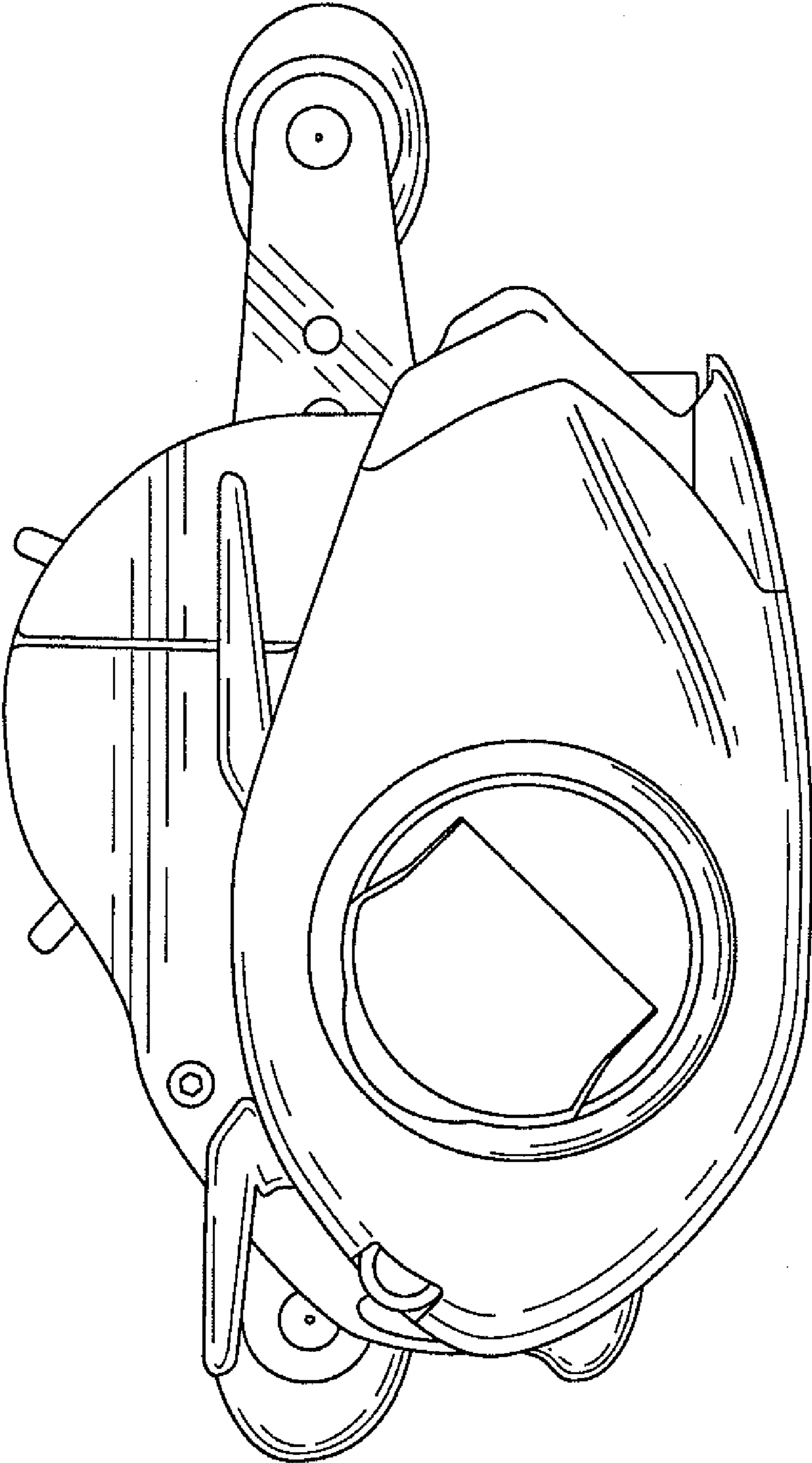


FIG. 9