



US00D595805S

(12) **United States Design Patent**
Itamura

(10) **Patent No.:** **US D595,805 S**
(45) **Date of Patent:** **** Jul. 7, 2009**

(54) **BAIT HOLDER**

(76) Inventor: **John Itamura**, 3359 Zenobia Way,
Sacramento, CA (US) 95834

(**) Term: **14 Years**

(21) Appl. No.: **29/327,994**

(22) Filed: **Nov. 17, 2008**

(51) **LOC (9) Cl.** **22-05**

(52) **U.S. Cl.** **D22/136**

(58) **Field of Classification Search** D22/136,
D22/134, 149, 199; 43/55, 54.1, 57, 100,
43/102; D3/260; 206/315.11

See application file for complete search history.

(56) **References Cited**

U.S. PATENT DOCUMENTS

2,384,101	A *	9/1945	Kruse	43/55
2,597,002	A *	5/1952	Johnson et al.	43/55
2,697,296	A *	12/1954	Steele	43/55
3,220,140	A *	11/1965	Shirley, Sr.	43/55
D438,931	S *	3/2001	Gomez	D22/136
D496,980	S *	10/2004	Tyson	D22/136
D507,621	S *	7/2005	Beech	D22/136

* cited by examiner

Primary Examiner—Catherine R Oliver

(57) **CLAIM**

The ornamental design for a bait holder, as shown and described.

DESCRIPTION

FIG. 1 is an upper perspective view of a bait holder showing my new design.

FIG. 2 is a front view of a bait holder showing my new design.

FIG. 3 is a side view of a bait holder showing my new design.

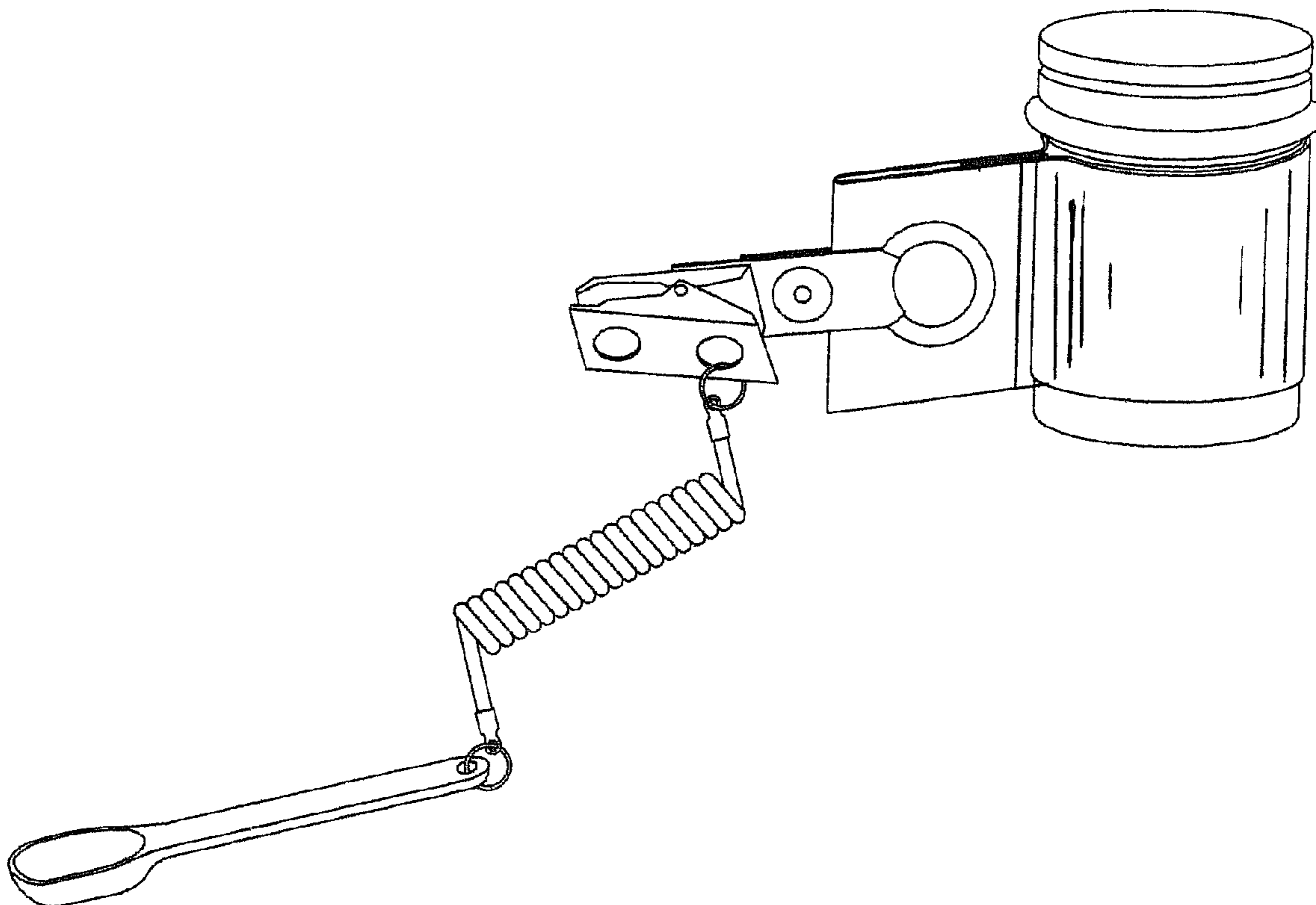
FIG. 4 is a rear view of a bait holder showing my new design.

FIG. 5 is a top view of a bait holder showing my new design; and,

FIG. 6 is a bottom view of a bait holder showing my new design.

Any shading and cross-hatching are not features of the design but are utilized to illustrate the surface contours of the bait holder in the drawings.

1 Claim, 6 Drawing Sheets



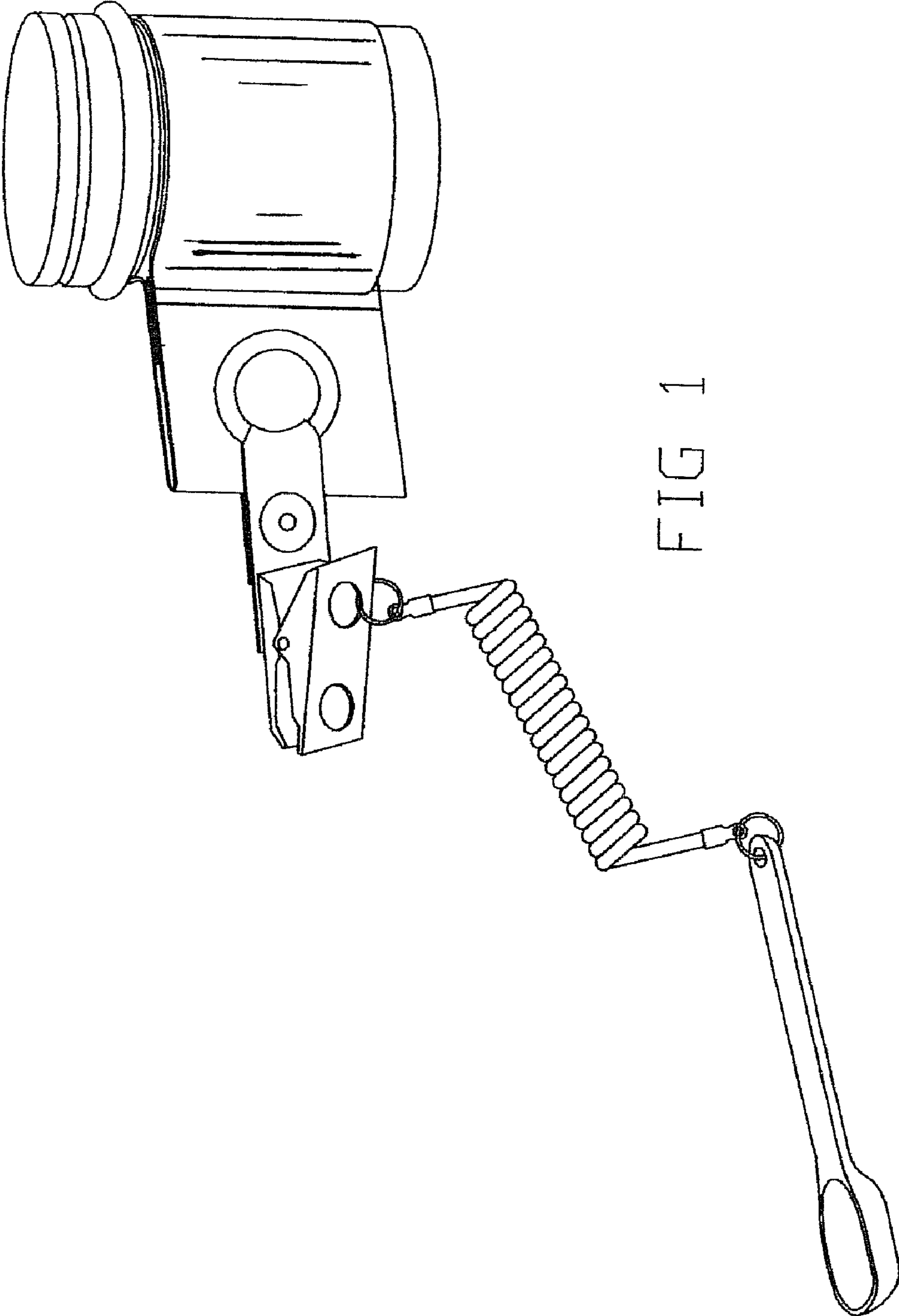


FIG 1

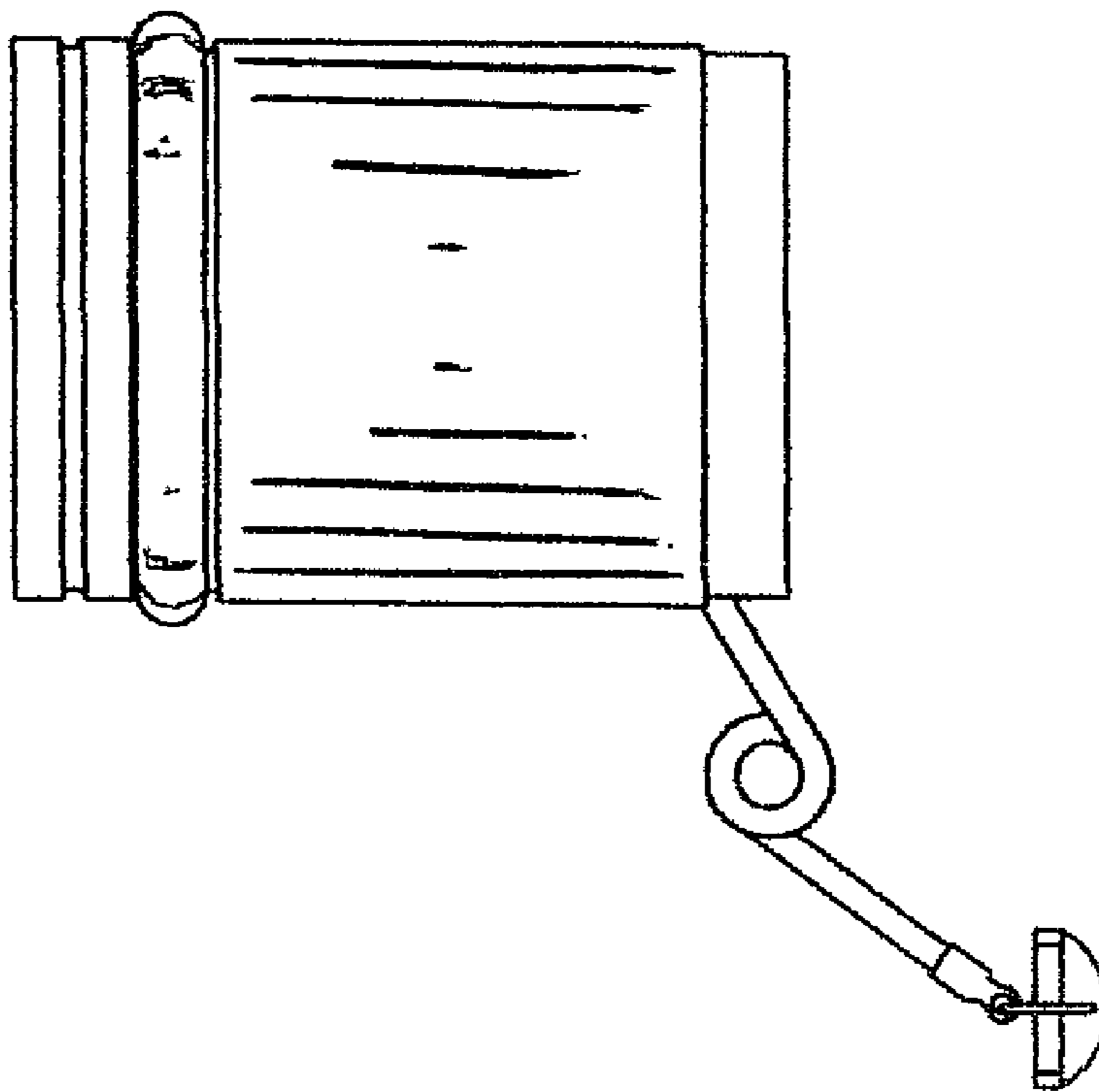


FIG 2

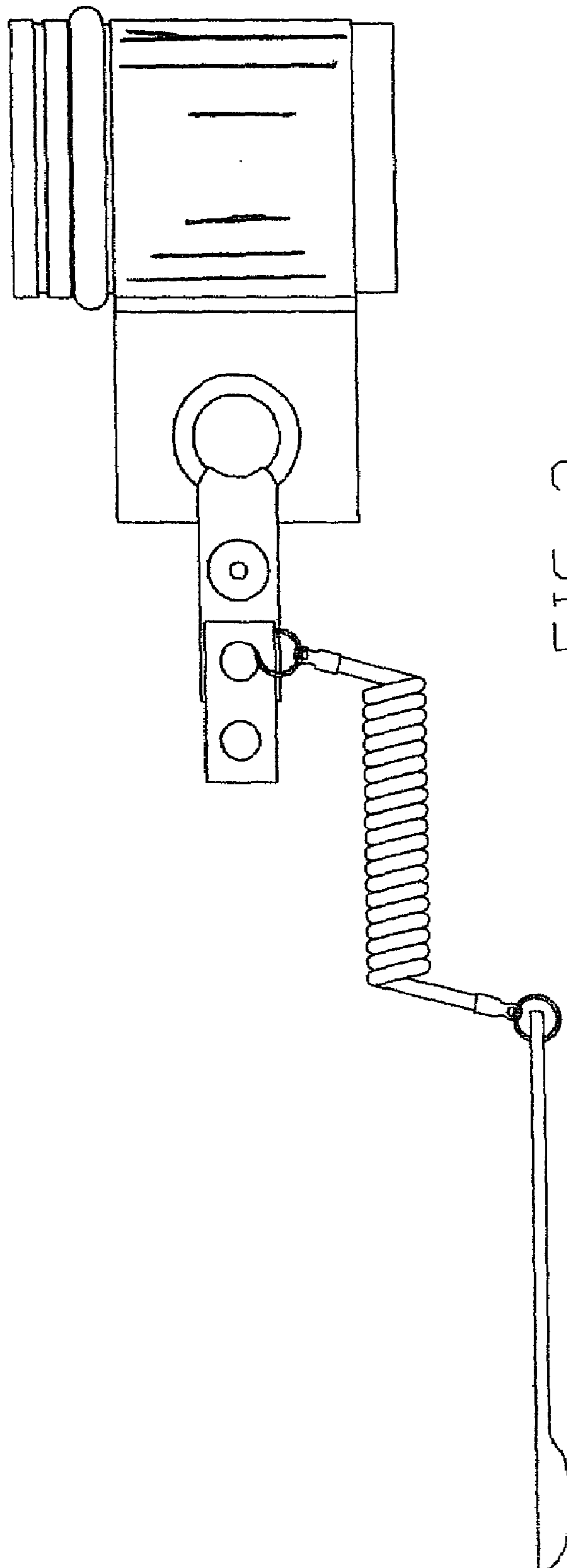


FIG 3

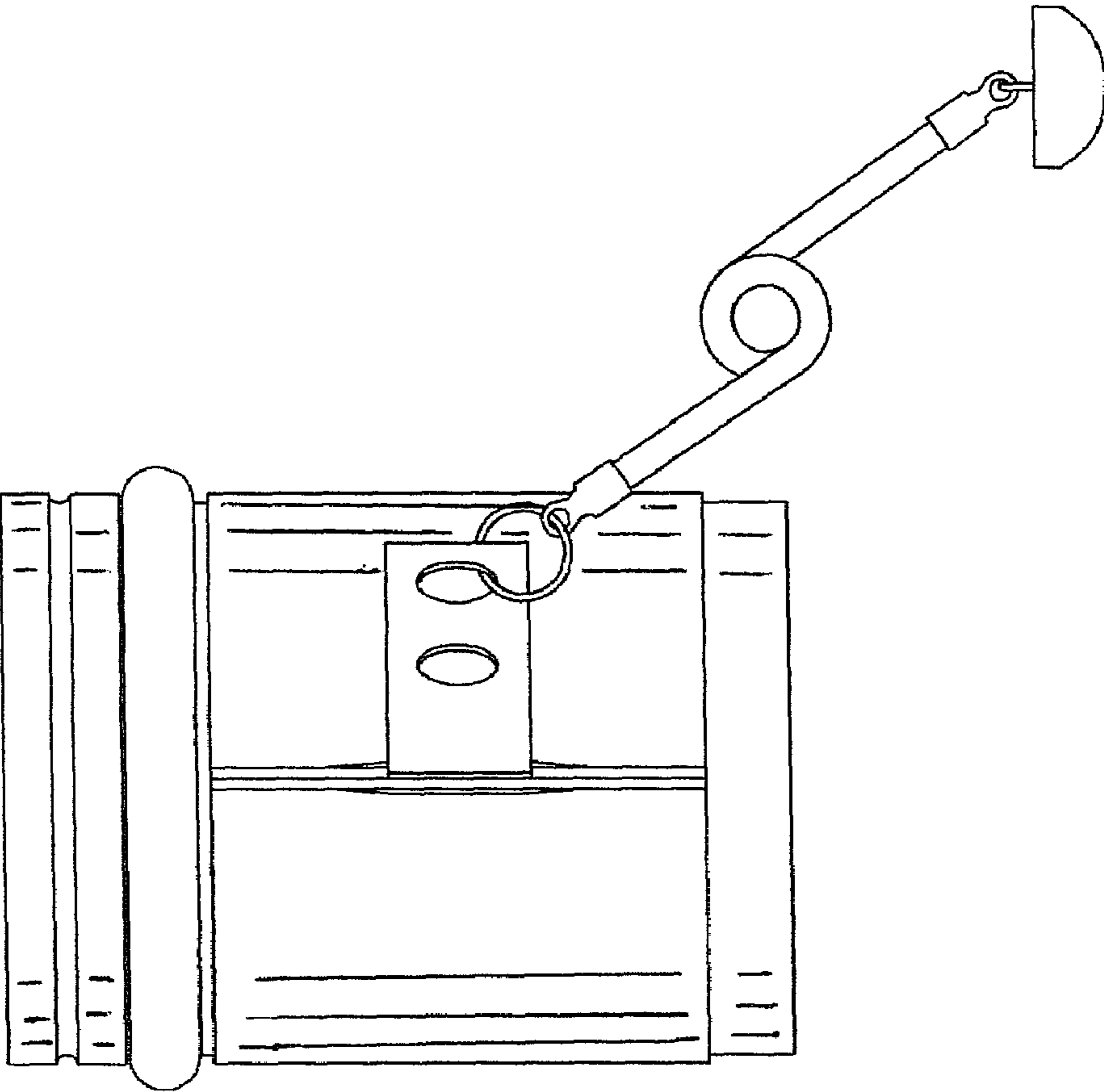


FIG 4

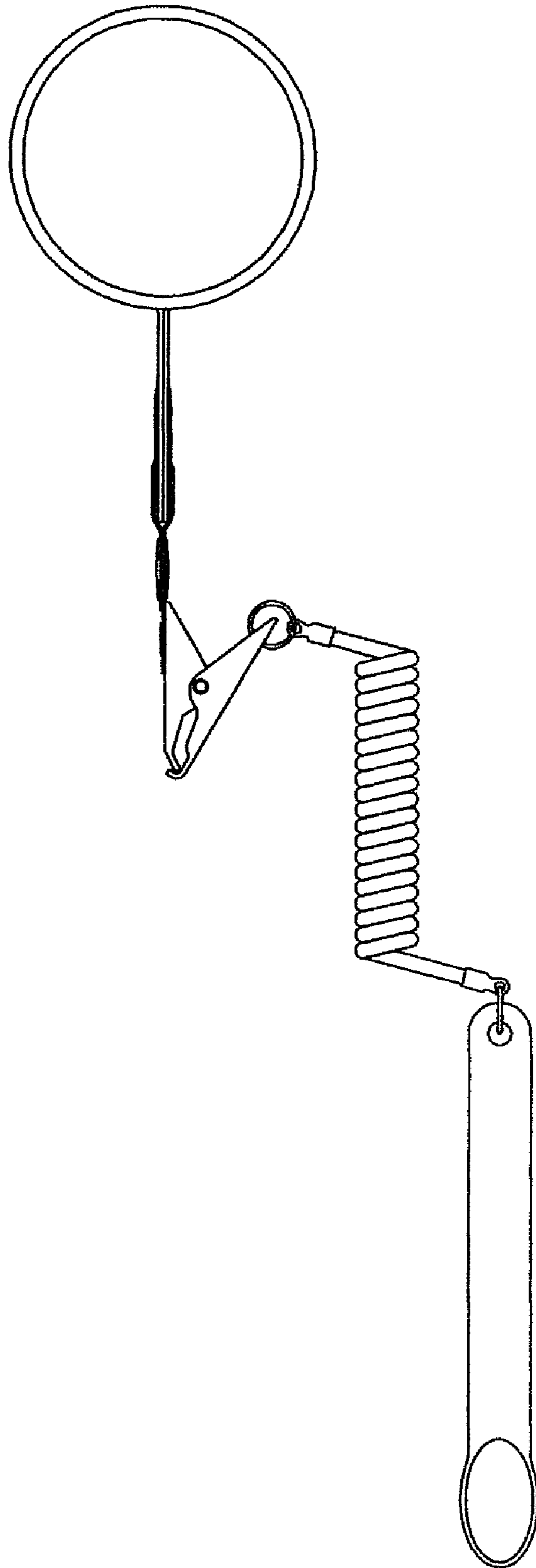


FIG 5

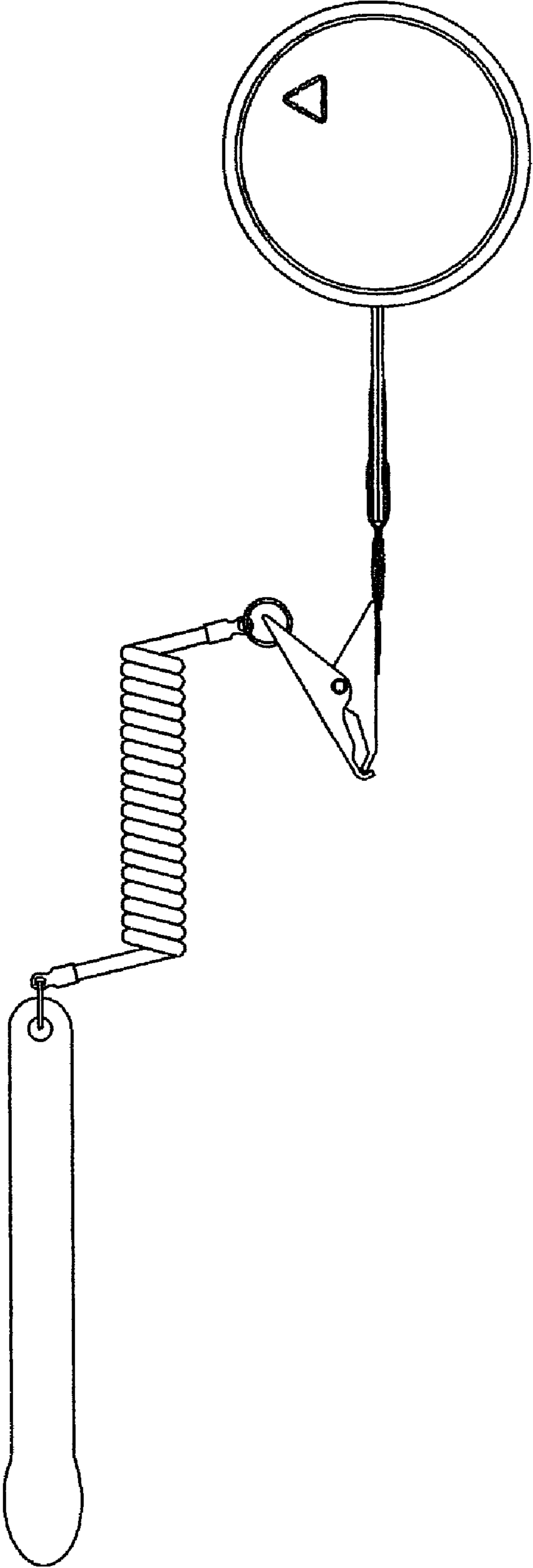


FIG 6