



US00D595804S

(12) **United States Design Patent**
Tollefson et al.

(10) **Patent No.:** **US D595,804 S**

(45) **Date of Patent:** **** Jul. 7, 2009**

(54) **ANIMAL GUARD**

(75) Inventors: **Steve Tollefson**, Mineral Wells, TX
(US); **John Morgan**, Mineral Wells, TX
(US)

(73) Assignee: **Cantex, Inc.**, Forth Worth, TX (US)

(**) Term: **14 Years**

(21) Appl. No.: **29/317,627**

(22) Filed: **May 2, 2008**

(51) **LOC (9) Cl.** **22-06**

(52) **U.S. Cl.** **D22/120**

(58) **Field of Classification Search** D22/120,
D22/119, 199; 43/1, 58, 60, 133, 134, 98,
43/124

See application file for complete search history.

(56) **References Cited**

U.S. PATENT DOCUMENTS

1,177,867 A 4/1916 Johnson

(Continued)

FOREIGN PATENT DOCUMENTS

GB 2 202 692 A 9/1988

OTHER PUBLICATIONS

Critter Guard, Inc. Critter Guard. The Solution to Squirrel Caused Power Outages [online]. [retrieved on Jan. 2, 2008]; Retrieved from the internet: <URL: <http://www.critterguard.org/product.htm>>.

Midsun Group, Inc. E/Barrier™. A de-energized applied polycarbonate barrier used to prevent inadvertent contact by animals and birds on distribution and substation equipment [online]; [retrieved on Jan. 2, 2008]; Retrieved from the internet: <URL: <http://www.midsungroup.com>>.

Critter Guard, Inc. Safety—Critters Awire The Solution to Squirrel Caused Power Outages [online]; [retrieved on Jan. 2, 2008]; Retrieved from the internet: <URL: http://www.critterguard.org/article_publicpower.htm>.

Midsun Group, Inc. E/Products. Insulating Products—Squirrel, Raccoon, Birds, Snake outage protection [online]. [retrieved on Jan. 8, 2008] Retrieved from the internet: <URL: http://www.midsungroup.com/new_page_5.htm>.

Primary Examiner—Catherine R Oliver

(74) *Attorney, Agent, or Firm*—Miles & Stockbridge P.C.; David R. Schaffer, Esq.

(57) **CLAIM**

The ornamental design for an animal guard, as shown and described.

DESCRIPTION

FIG. 1 is a top perspective view of the exterior of the animal guard in a closed configuration.

FIG. 2 is a right side view of the exterior of the animal guard in a closed configuration.

FIG. 3 is a left side view of the exterior of the animal guard in a closed configuration.

FIG. 4 is a top view of the exterior of the animal guard in a closed configuration.

FIG. 5 is a bottom view of the exterior of the animal guard in a closed configuration.

FIG. 6 is a front side view of the exterior of the animal guard in a closed configuration.

FIG. 7 is a rear view of the exterior of the animal guard in a closed configuration.

FIG. 8 is a top perspective view of the exterior of the animal guard in an open configuration.

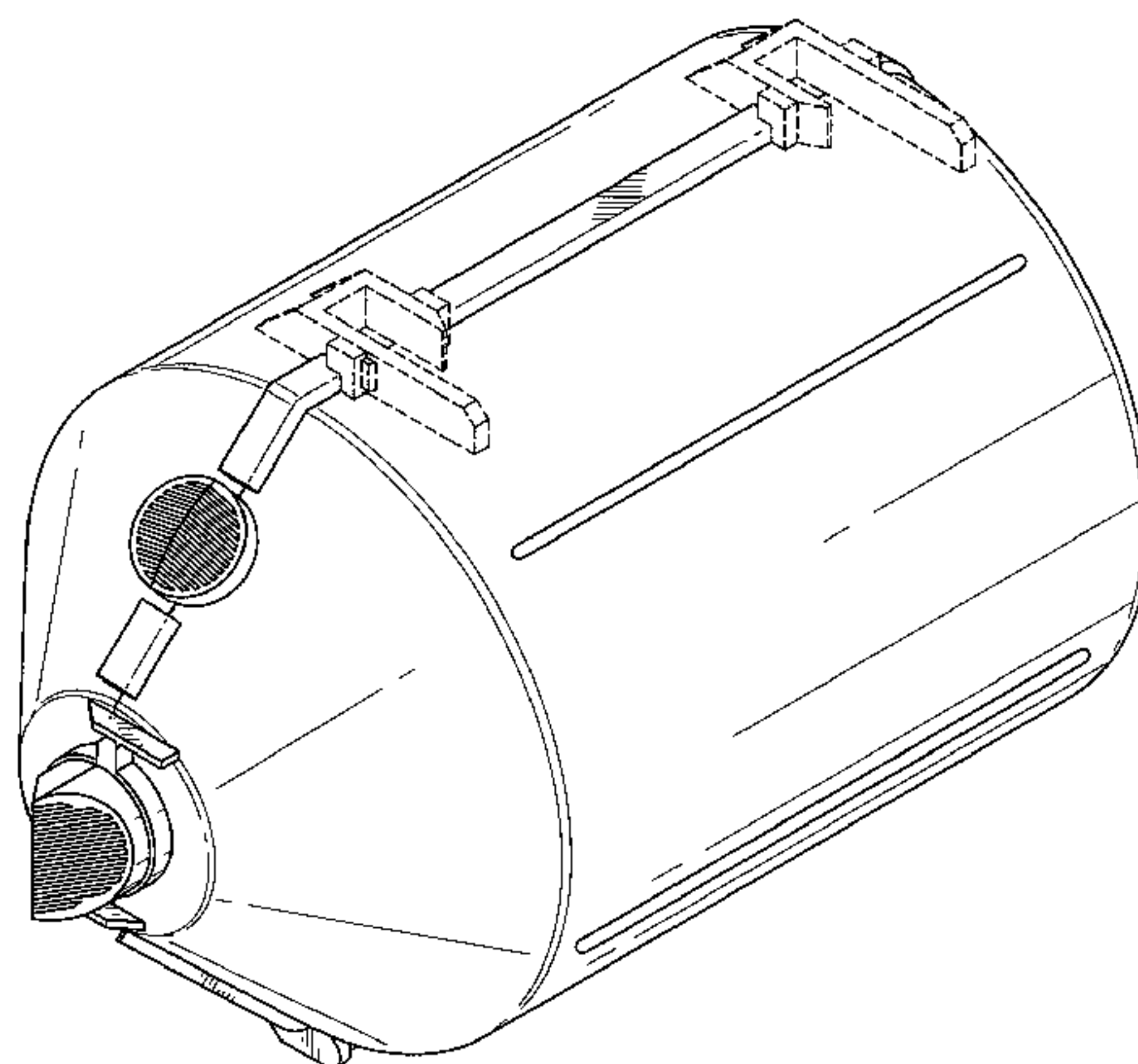
FIG. 9 is a top perspective view of the interior of the animal guard in an open configuration.

FIG. 10 is a side view of the exterior of the animal guard in an open configuration; and,

FIG. 11 is a side view of the interior of the animal guard in an open configuration.

The broken lines showing side closures in the figures are for illustration purposes only and form no part of the claimed design.

1 Claim, 9 Drawing Sheets



US D595,804 S

Page 2

| U.S. PATENT DOCUMENTS | | | | | |
|-----------------------|-----|----------------------------------|--------------|------|-----------------------------|
| 2,834,829 | A | 5/1958 Broverman | 6,005,196 | A | 12/1999 Spillyards |
| 2,875,267 | A | 2/1959 Sutton | 6,255,597 | B1 | 7/2001 Bowling et al. |
| 3,042,736 | A | 7/1962 Salisbury | 6,291,774 | B1 | 9/2001 Williams |
| 3,223,776 | A | 12/1965 Piasecki | 6,486,785 | B1 | 11/2002 Hoth |
| 3,274,526 | A | 9/1966 Emanuelson | 6,559,748 | B1 | 5/2003 Nakano |
| 3,484,541 | A | 12/1969 Campbell | 6,571,517 | B2 | 6/2003 Wulff et al. |
| 3,846,725 | A | 11/1974 Mears, Jr. | 6,995,313 | B1 | 2/2006 Barnett et al. |
| 4,845,307 | A | 7/1989 Cumming | 7,001,202 | B2 | 2/2006 Robbins |
| 4,985,599 | A | 1/1991 Eggleston | 7,075,015 | B1 | 7/2006 Rauckman |
| 5,153,383 | A | 10/1992 Whited et al. | 7,201,600 | B2 | 4/2007 Sokol et al. |
| 5,293,721 | A | 3/1994 Richard et al. | 7,301,096 | B2 | 11/2007 Strong et al. |
| 5,379,545 | A * | 1/1995 Gall et al. 43/131 | 7,309,837 | B1 | 12/2007 Rauckman |
| D357,458 | S | 4/1995 Tisbo | 7,441,989 | B2 * | 10/2008 Fleming 43/58 |
| 5,650,594 | A | 7/1997 Urnovitz | 2007/0131447 | A1 | 6/2007 Rauckman |
| D413,154 | S * | 8/1999 Wylie et al. D22/120 | 2007/0261875 | A1 | 11/2007 Kjerrumgaard |

* cited by examiner

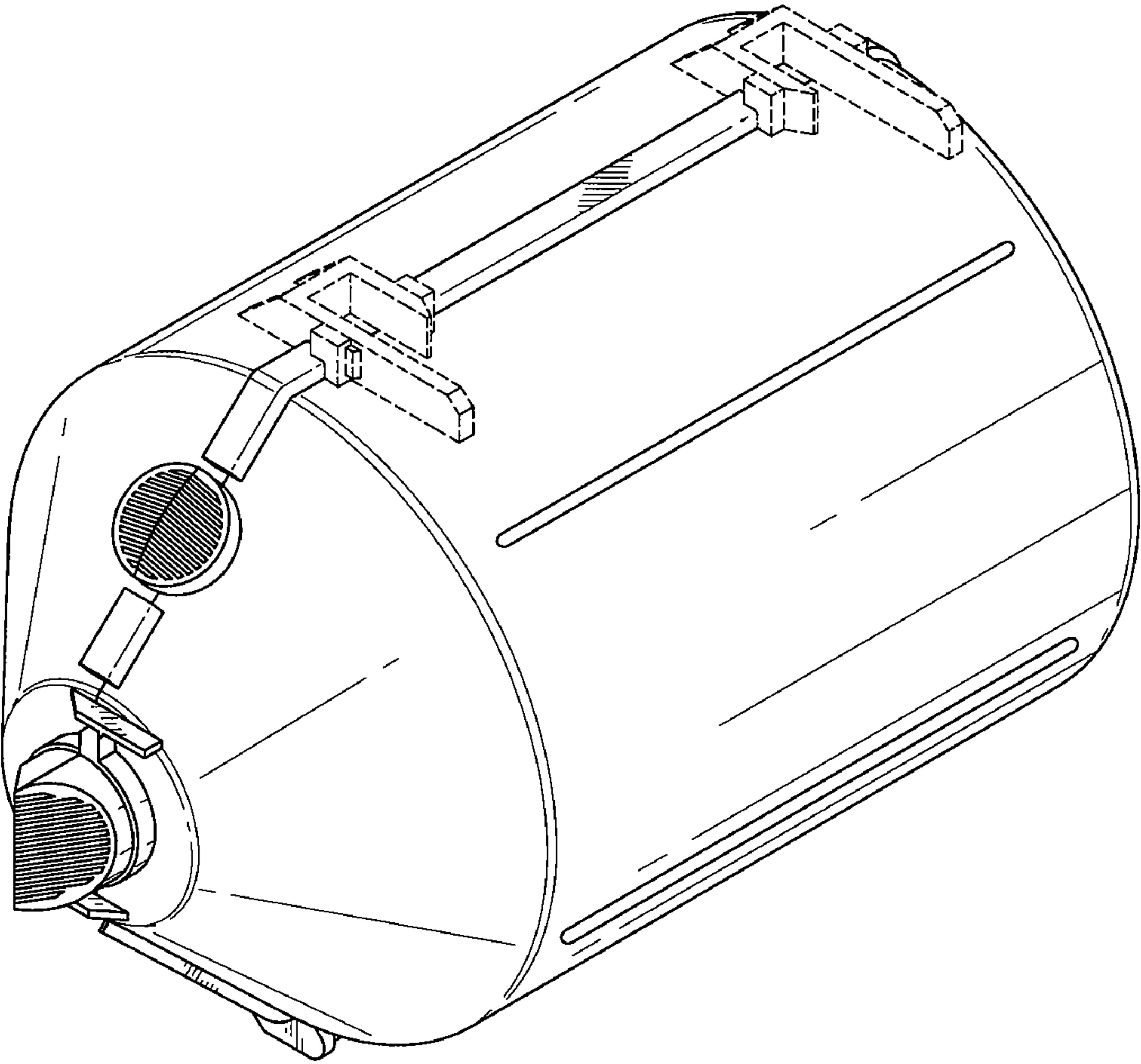


FIG. 1

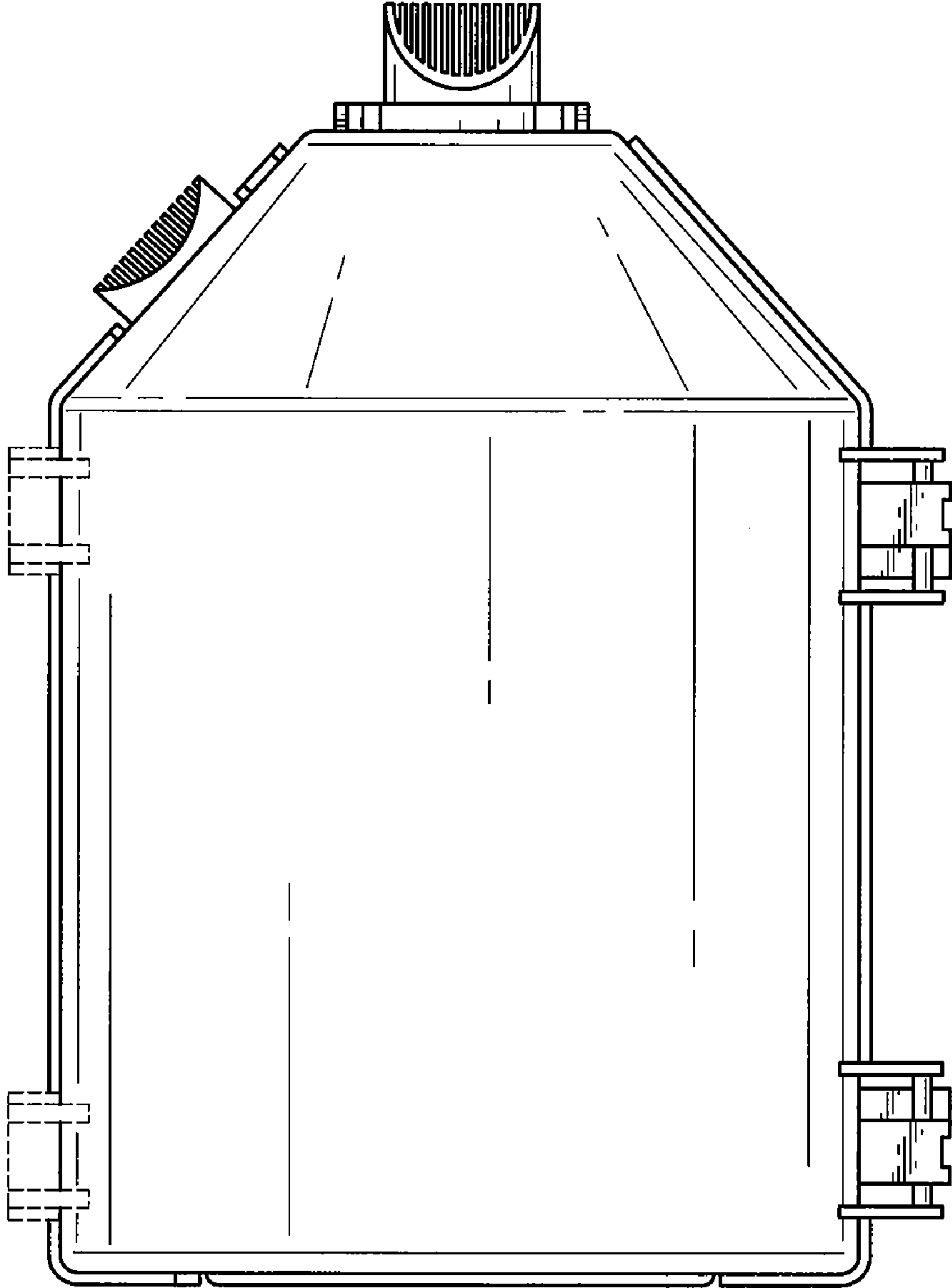


FIG. 2

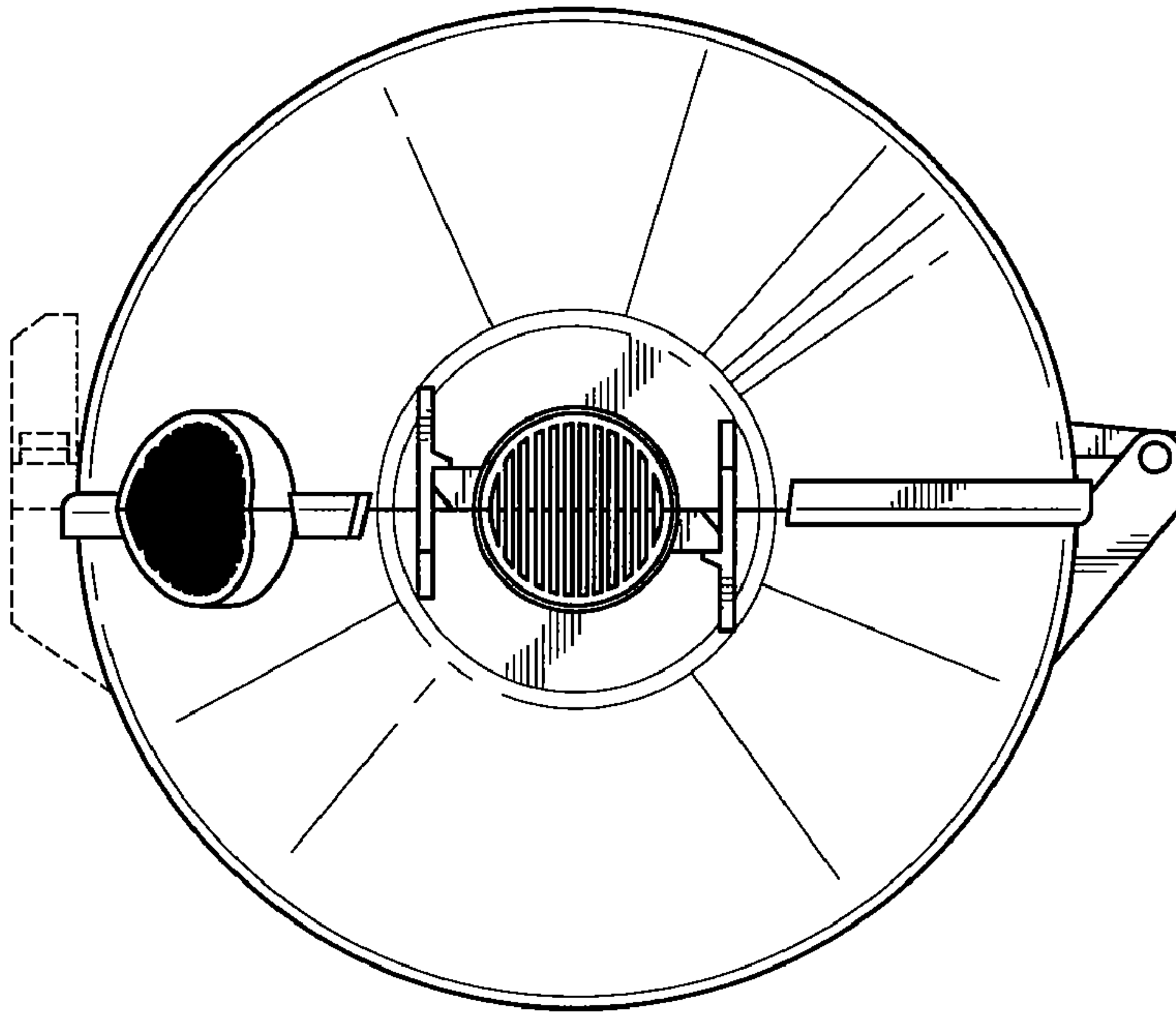


FIG. 4

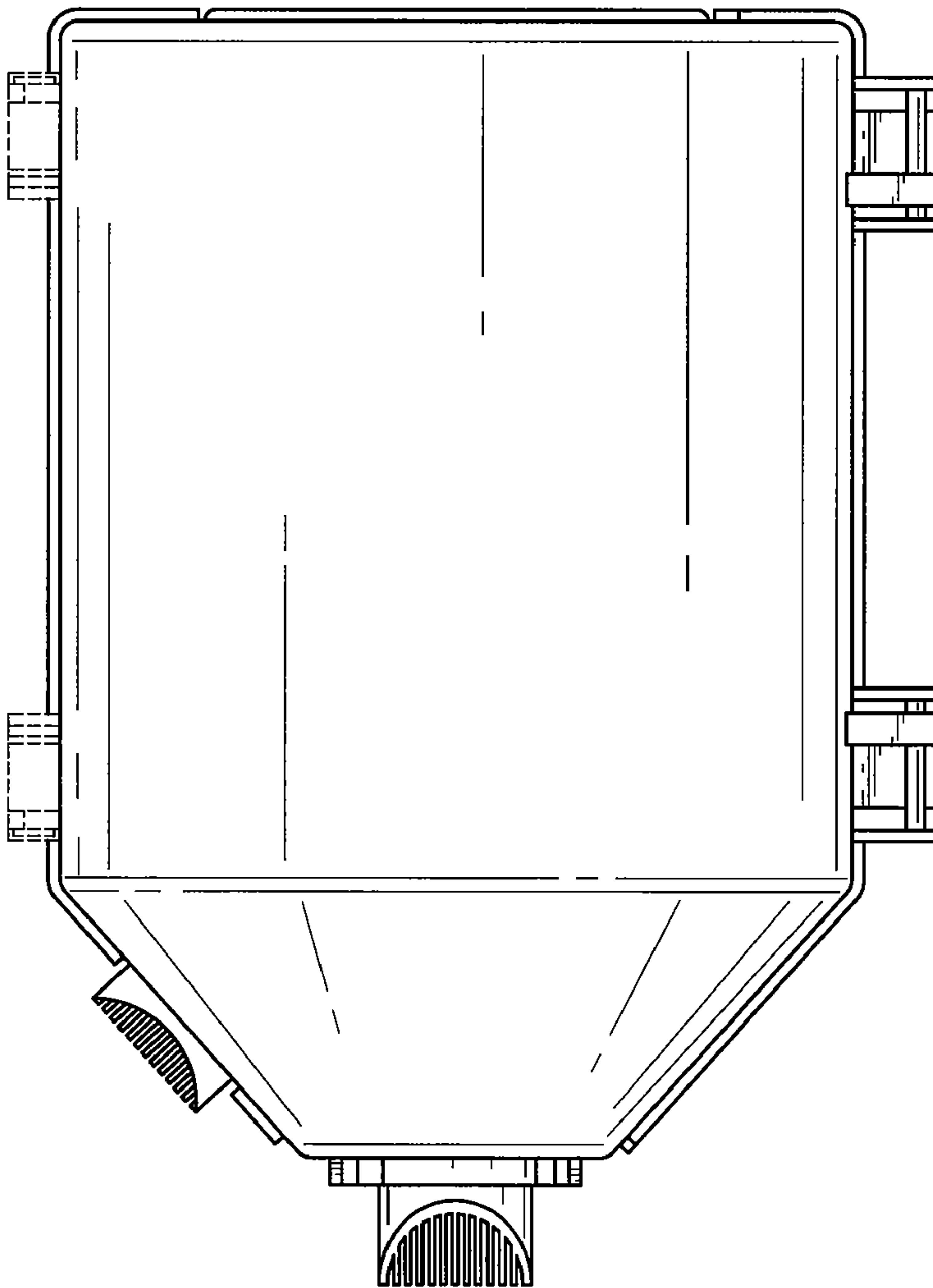


FIG. 3

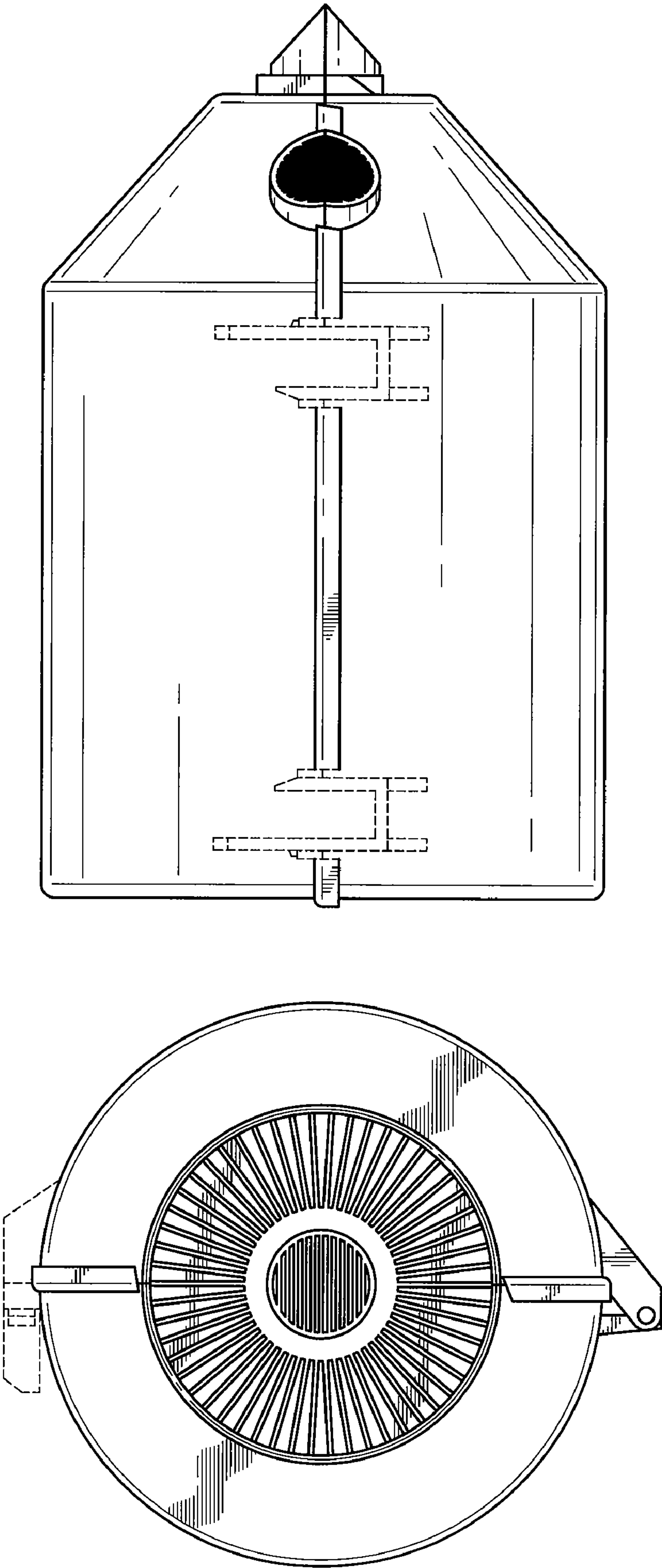


FIG. 6

FIG. 5

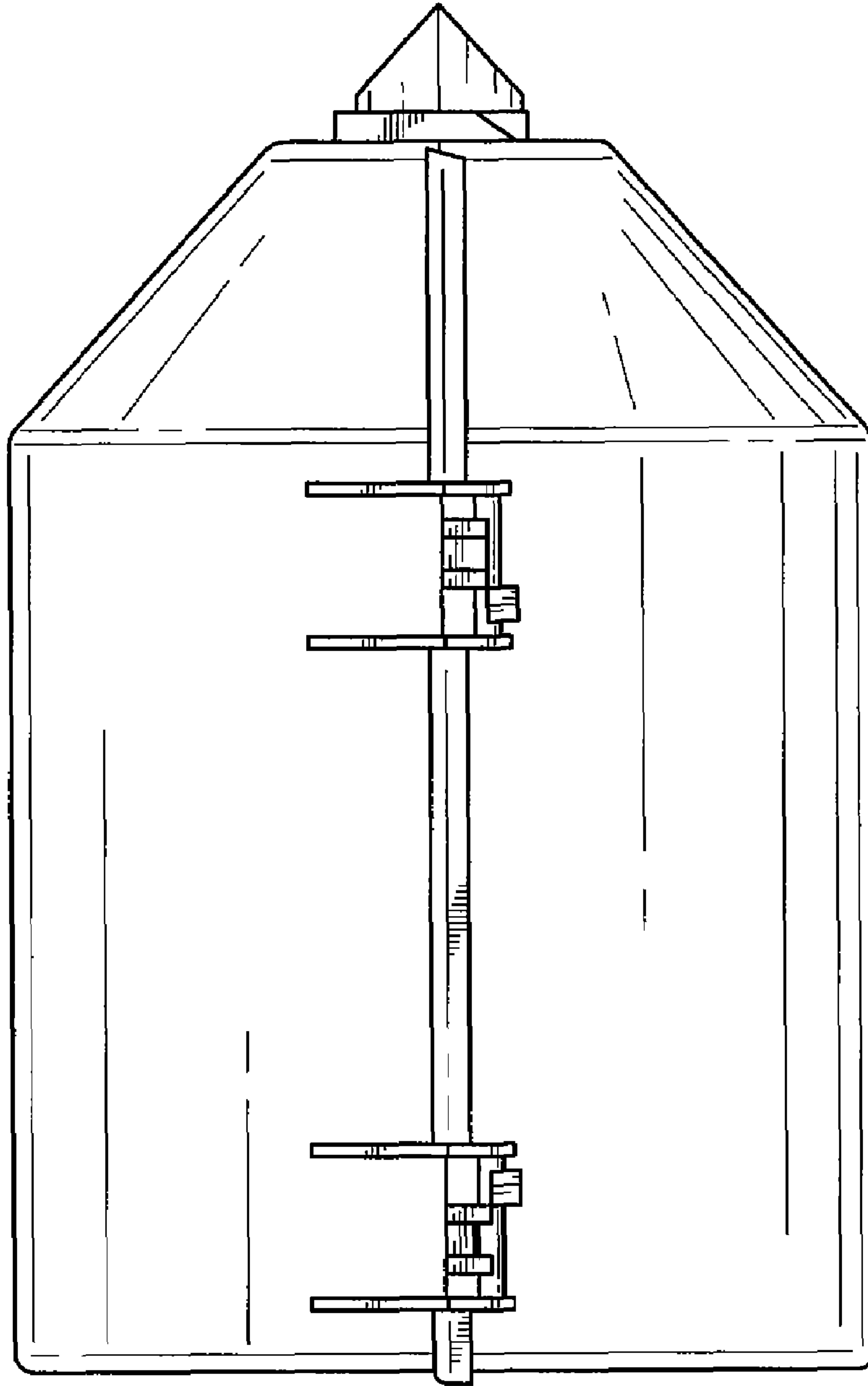


FIG. 7

FIG. 8

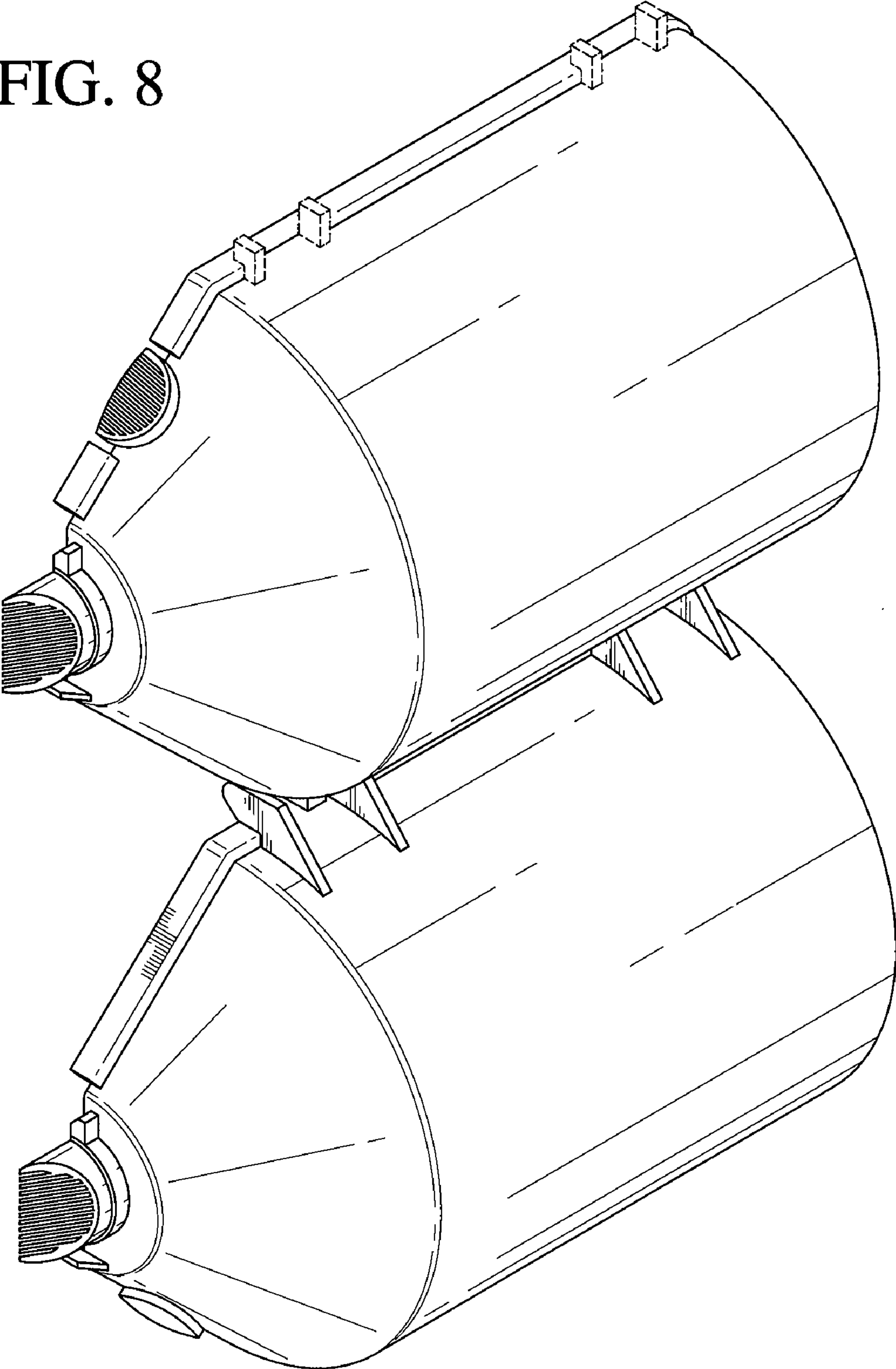
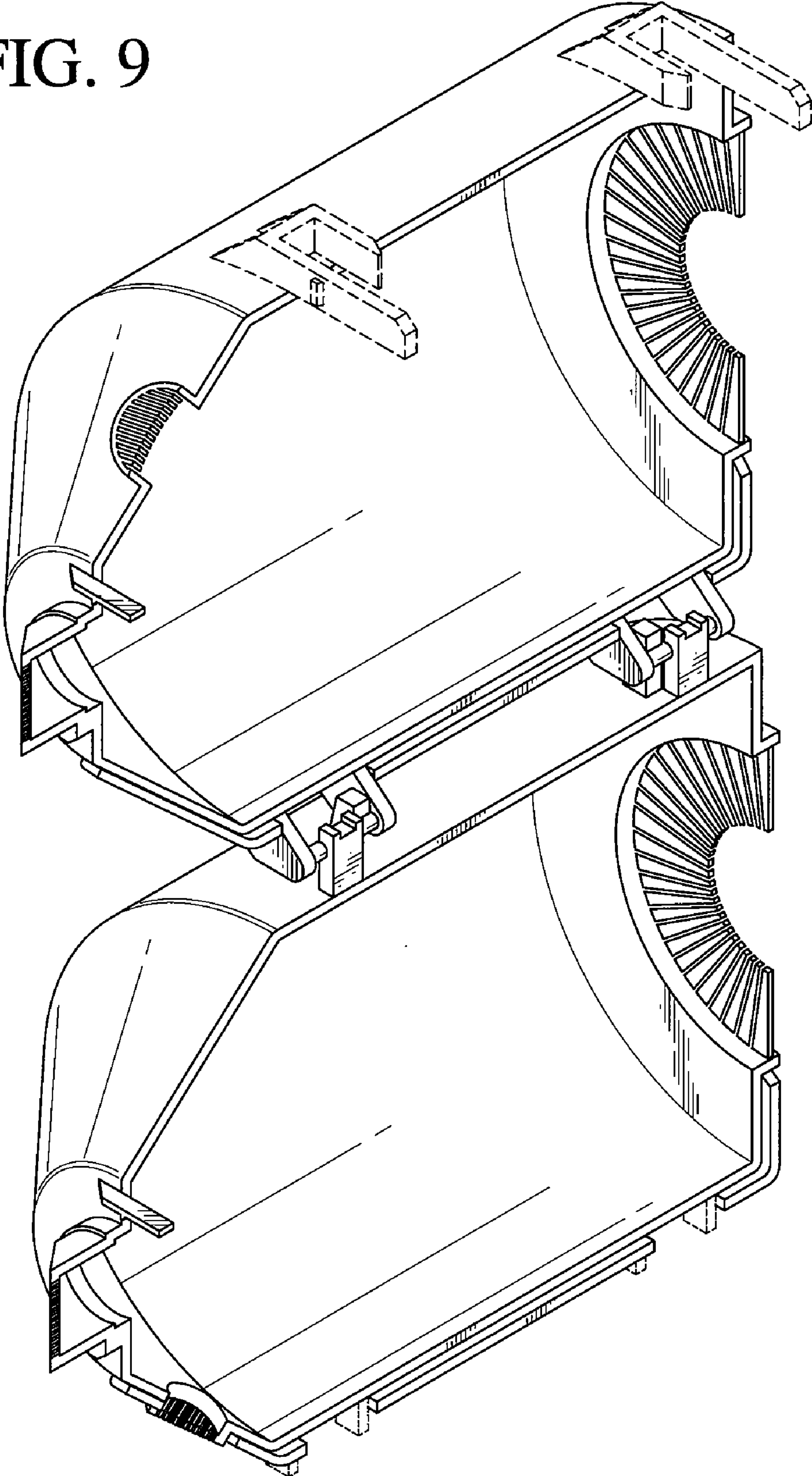


FIG. 9



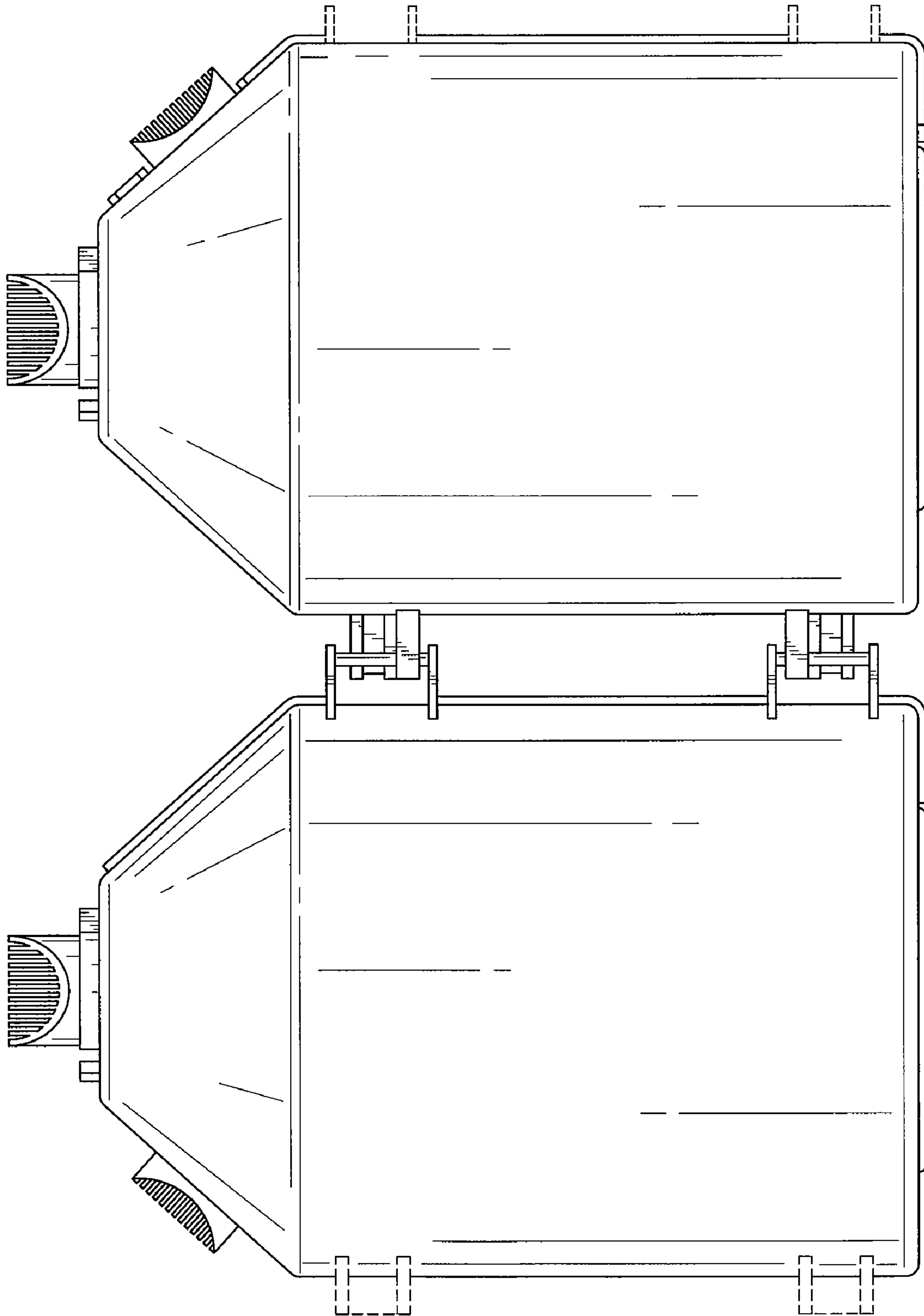


FIG. 10

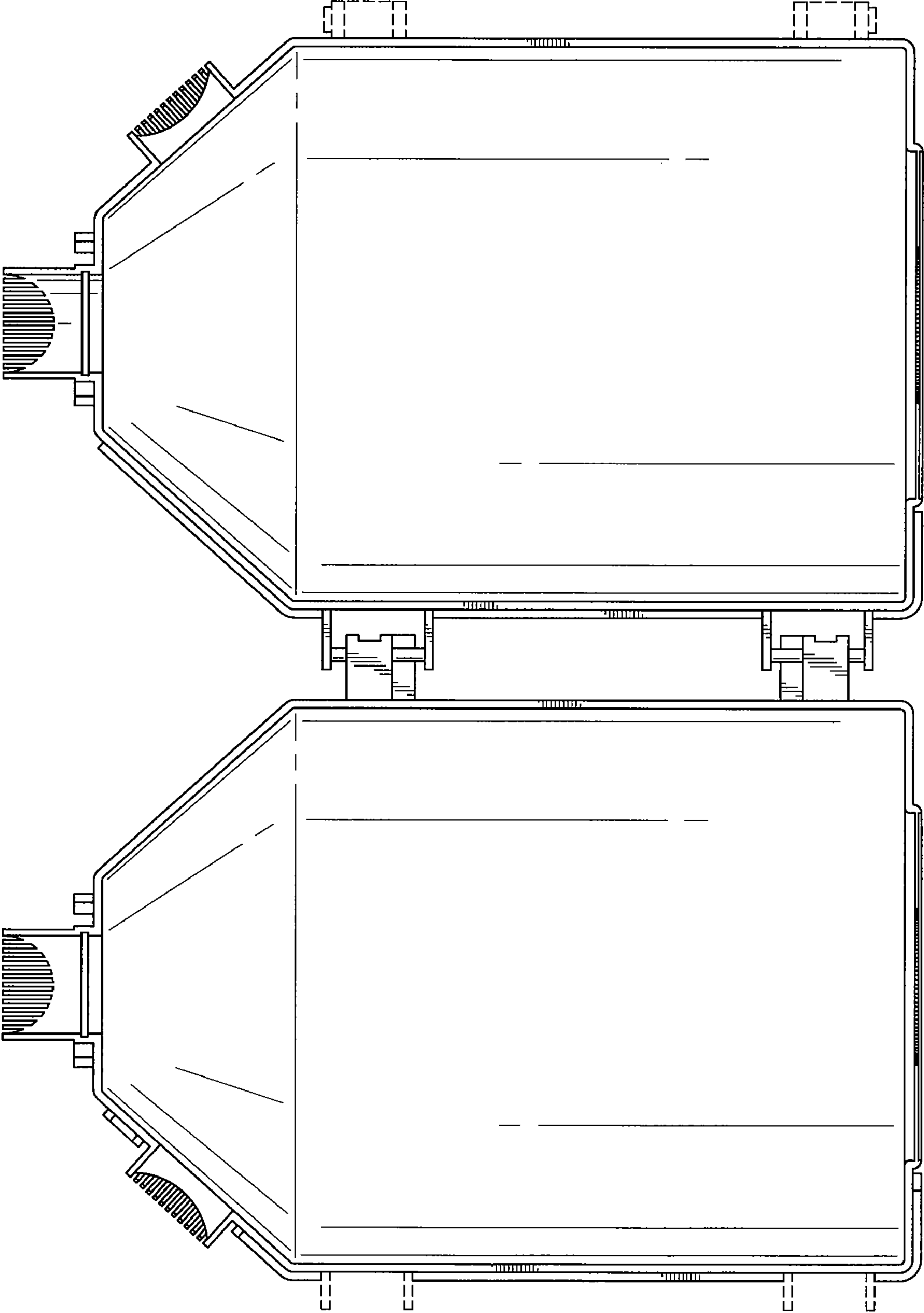


FIG. 11