



US00D595802S

(12) **United States Design Patent**
Boulton et al.

(10) **Patent No.:** **US D595,802 S**
(45) **Date of Patent:** **** Jul. 7, 2009**

(54) **INFLATABLE AMUSEMENT DEVICE**

(75) Inventors: **Sky Boulton**, Pleasant Hill, CA (US);
James Yang, Pleasant Hill, CA (US);
Joseph Yang, Napa, CA (US)

(73) Assignee: **Vortex International Enterprises**,
Fairfield, CA (US)

(**) Term: **14 Years**

(21) Appl. No.: **29/322,325**

(22) Filed: **Aug. 1, 2008**

(51) **LOC (9) Cl.** **21-02**

(52) **U.S. Cl.** **D21/835**

(58) **Field of Classification Search** D21/814,
D21/818-821, 835; 472/116-117; 482/35-36
See application file for complete search history.

(56) **References Cited**

U.S. PATENT DOCUMENTS

| | | | | |
|--------------|---------|--------------|-------|---------|
| D328,326 S * | 7/1992 | Kuan | | D21/818 |
| D340,965 S * | 11/1993 | Lee | | D21/818 |
| D389,217 S * | 1/1998 | Rubio et al. | | D21/814 |
| D422,667 S * | 4/2000 | Lau | | D21/814 |
| D423,624 S * | 4/2000 | Motosko | | D21/814 |
| D437,022 S * | 1/2001 | Gourchounian | | D21/835 |
| D437,023 S * | 1/2001 | Gourchounian | | D21/835 |
| D437,380 S * | 2/2001 | Gourchounian | | D21/835 |
| D439,946 S * | 4/2001 | Gourchounian | | D21/835 |
| D440,622 S * | 4/2001 | Gourchounian | | D21/820 |
| D441,416 S * | 5/2001 | Gourchounian | | D21/820 |
| D460,141 S * | 7/2002 | Gourchounian | | D21/820 |
| D504,487 S * | 4/2005 | Peterson | | D21/835 |

| | | | | |
|--------------|---------|-----------------|-------|---------|
| D504,488 S * | 4/2005 | Peterson | | D21/835 |
| D511,363 S * | 11/2005 | Nicholson | | D21/818 |
| D522,082 S * | 5/2006 | Peterson | | D21/818 |
| D540,413 S * | 4/2007 | McKee et al. | | D21/818 |
| D556,287 S * | 11/2007 | Robinson et al. | | D21/819 |
| D556,288 S * | 11/2007 | Robinson et al. | | D21/819 |
| D556,849 S * | 12/2007 | Ferraro et al. | | D21/820 |
| D557,368 S * | 12/2007 | Berenson | | D21/818 |
| D557,369 S * | 12/2007 | Robinson | | D21/818 |

* cited by examiner

Primary Examiner—Mitchell I Siegel

(74) *Attorney, Agent, or Firm*—Cozen O'Connor

(57) **CLAIM**

We claim the ornamental design for an inflatable amusement device, as shown and described.

DESCRIPTION

FIG. 1 illustrates a front elevational view of an inflatable amusement device showing our new design;

FIG. 2 illustrates a front plan view showing our new design;

FIG. 3 illustrates a rear plan view showing our new design;

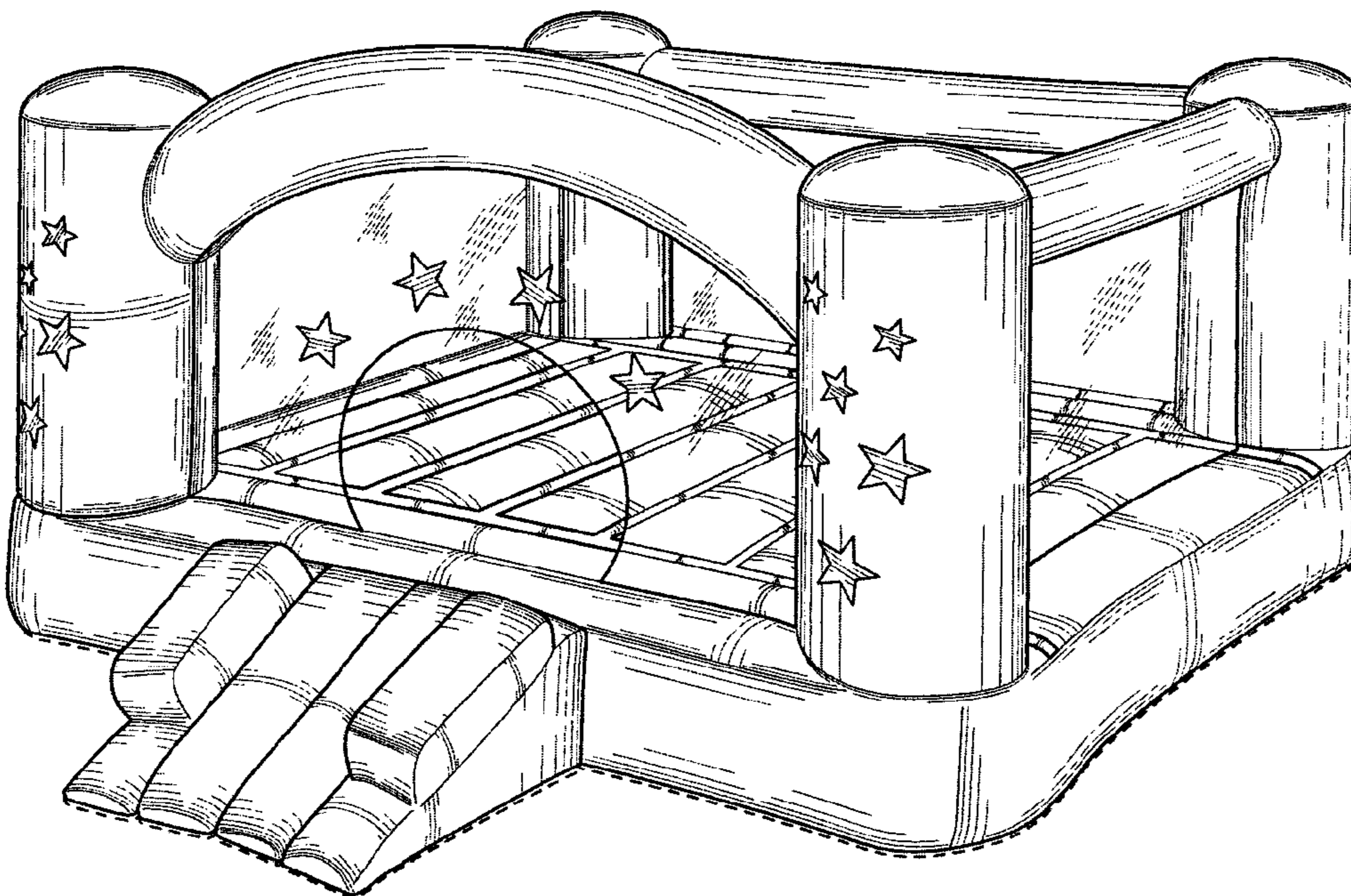
FIG. 4 illustrates a left lateral view showing our new design;

FIG. 5 illustrates a right lateral view showing our new design; and,

FIG. 6 illustrates a top elevational view showing our new design.

The broken lines of FIGS. 1-6 are for illustrative purposes only and form no part of the claimed design.

1 Claim, 6 Drawing Sheets



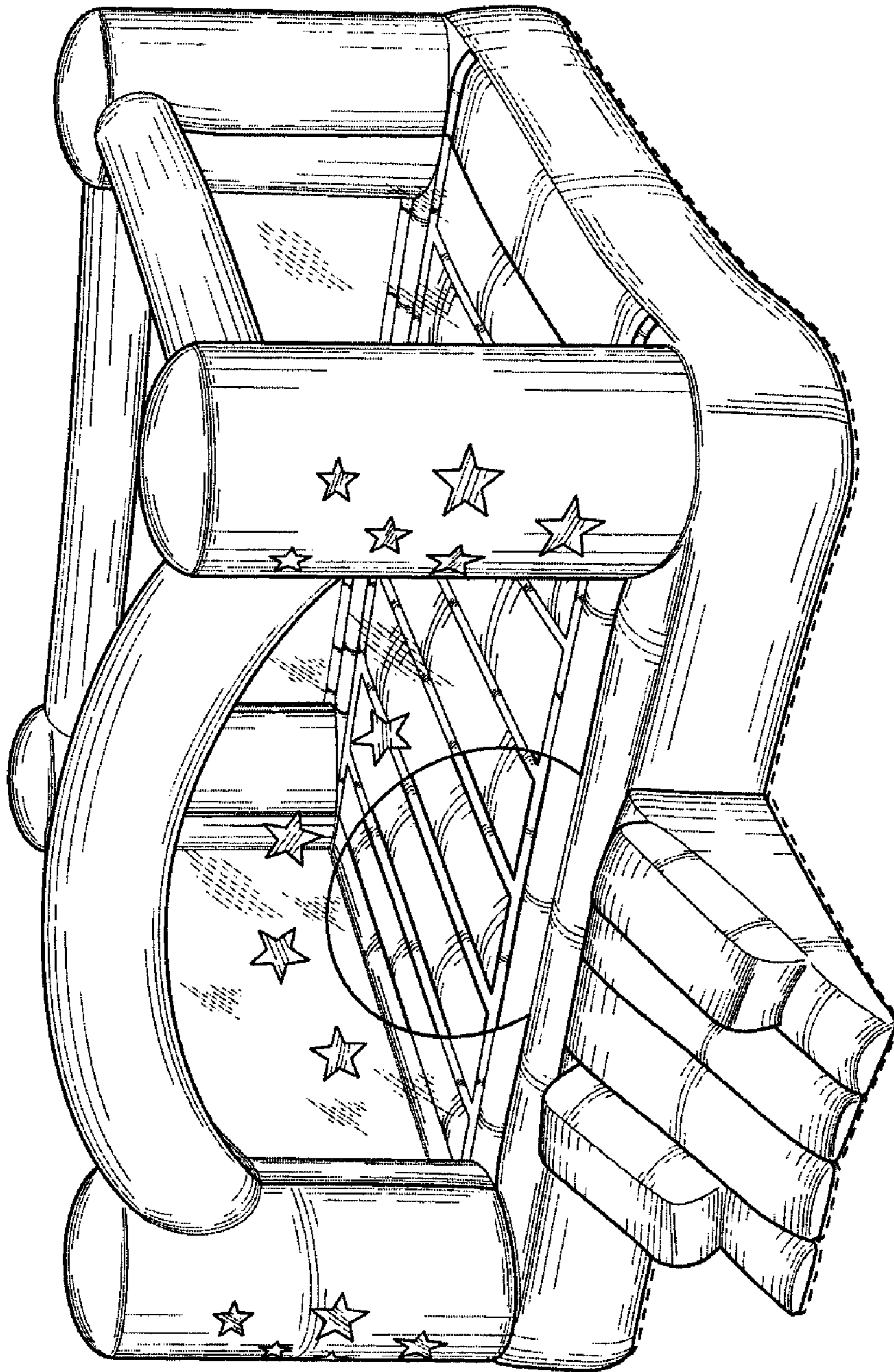


FIG. 1

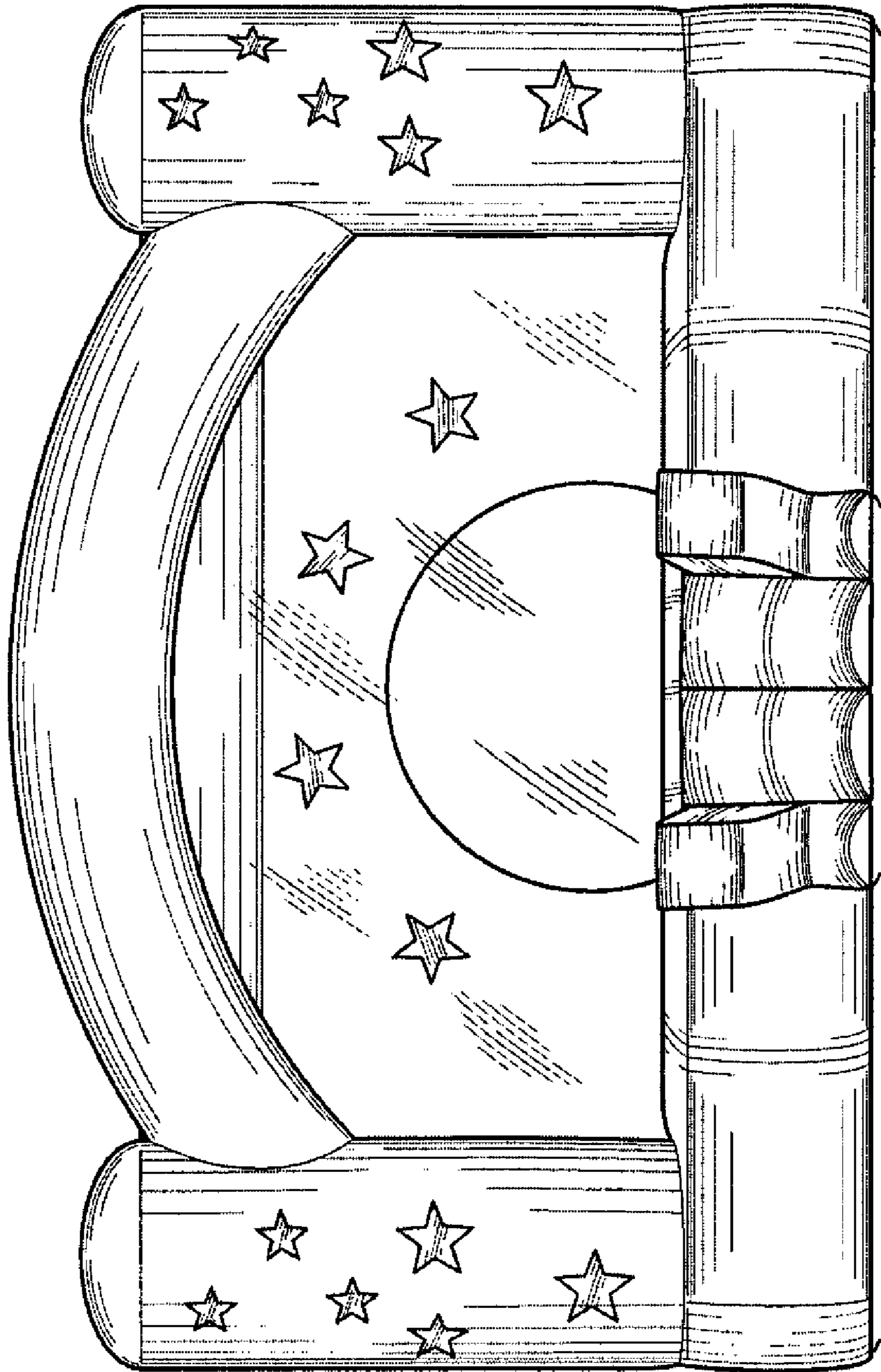


FIG. 2

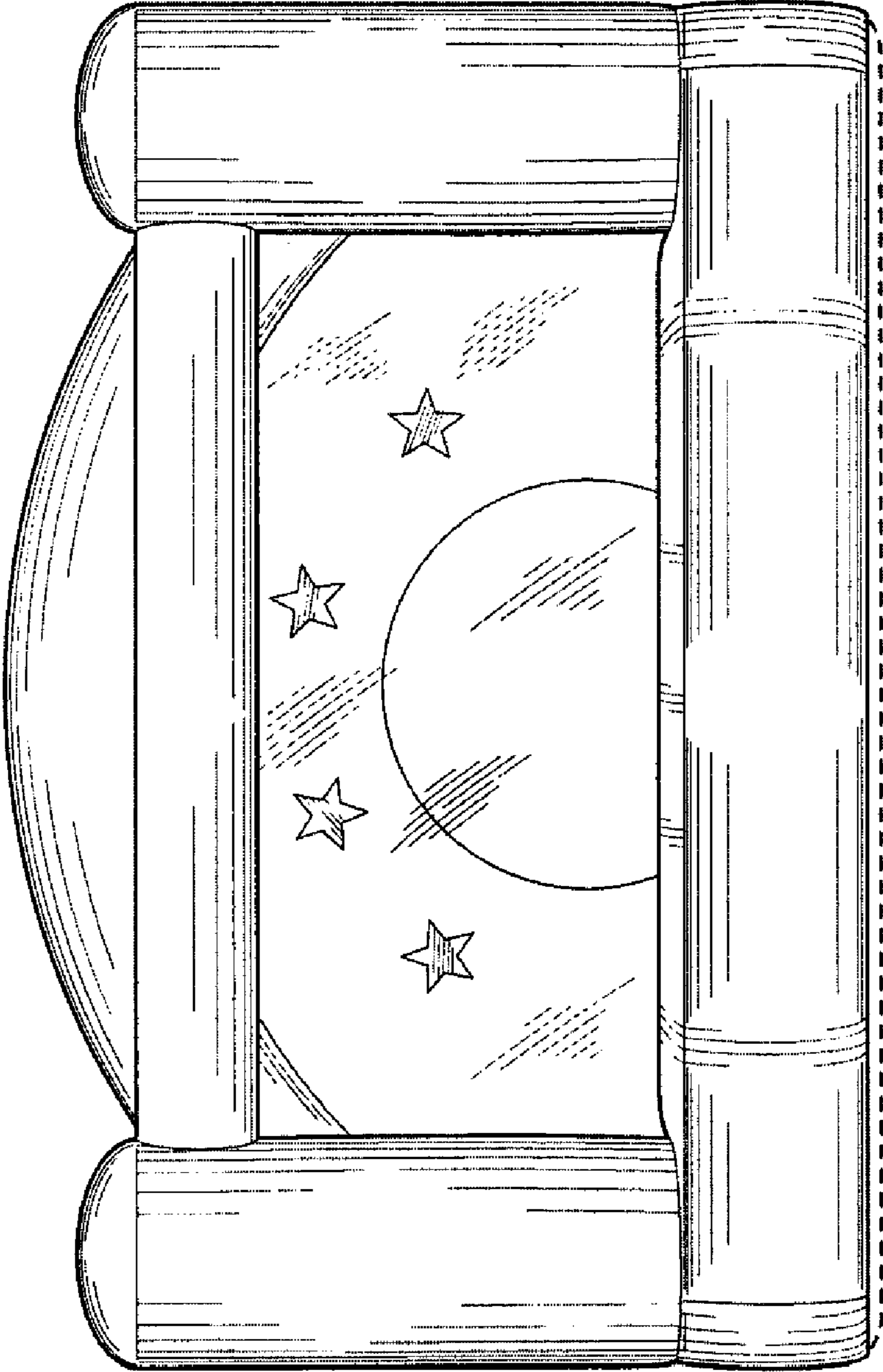


FIG. 3

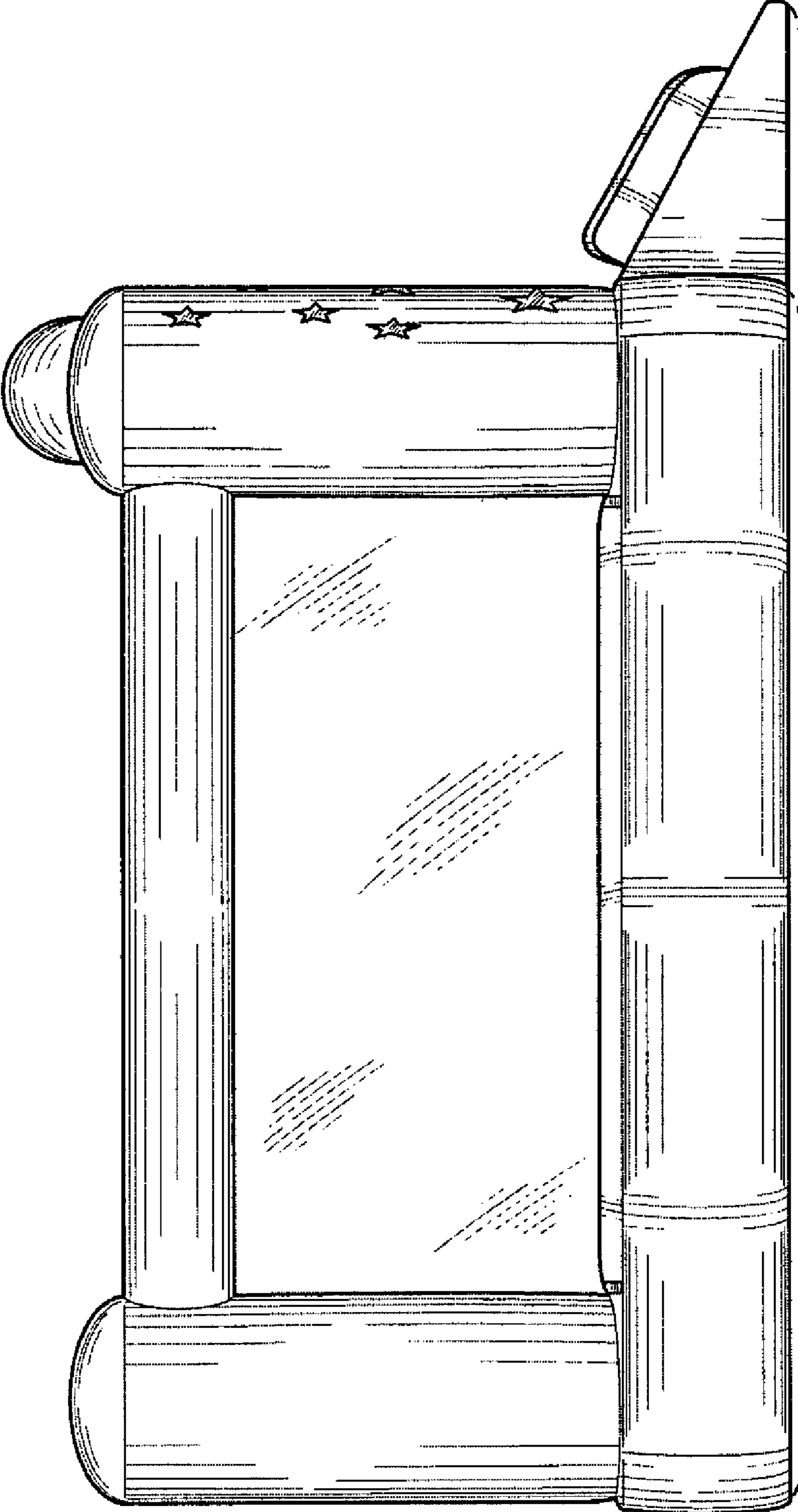


FIG. 4

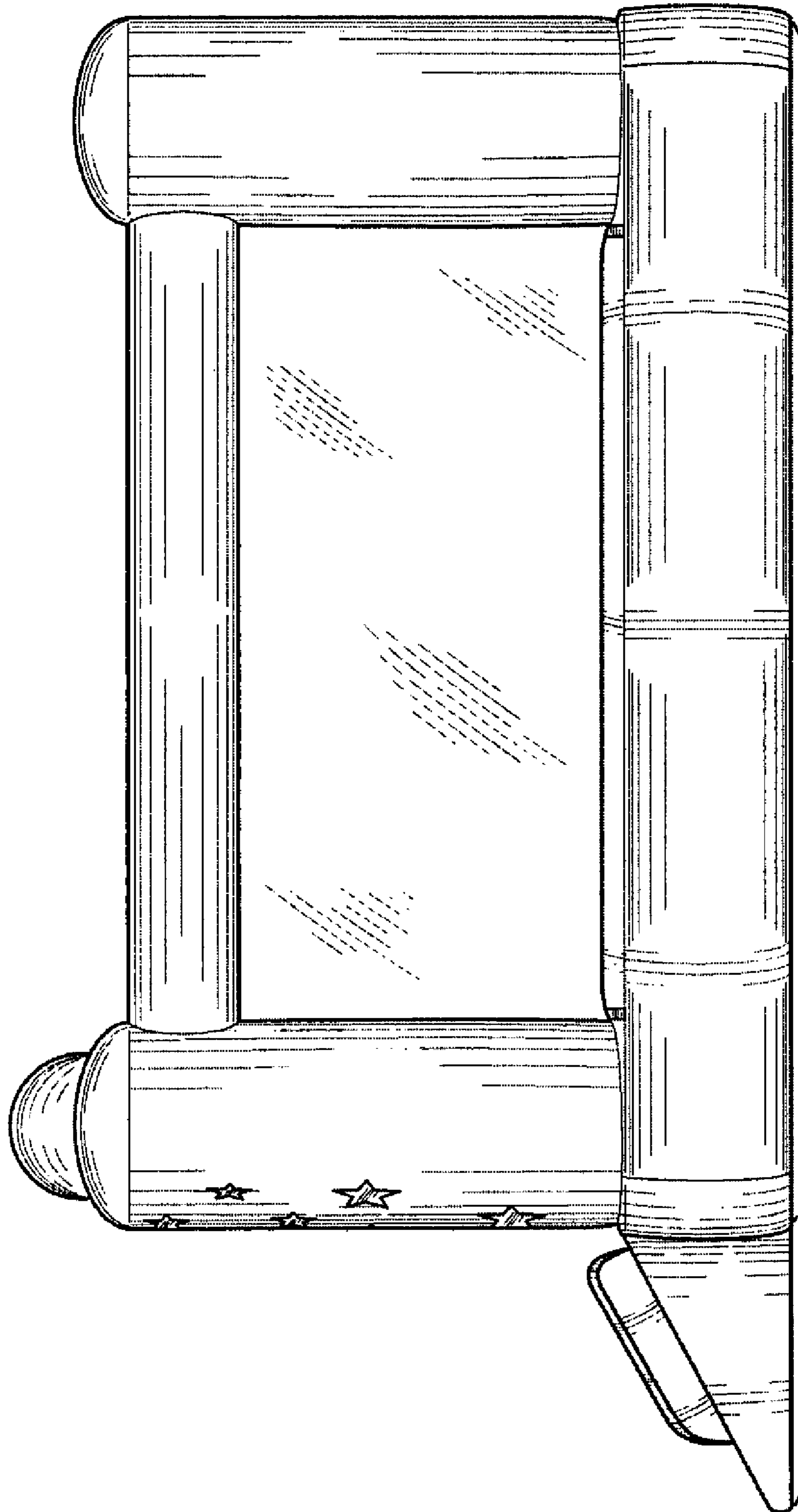


FIG. 5

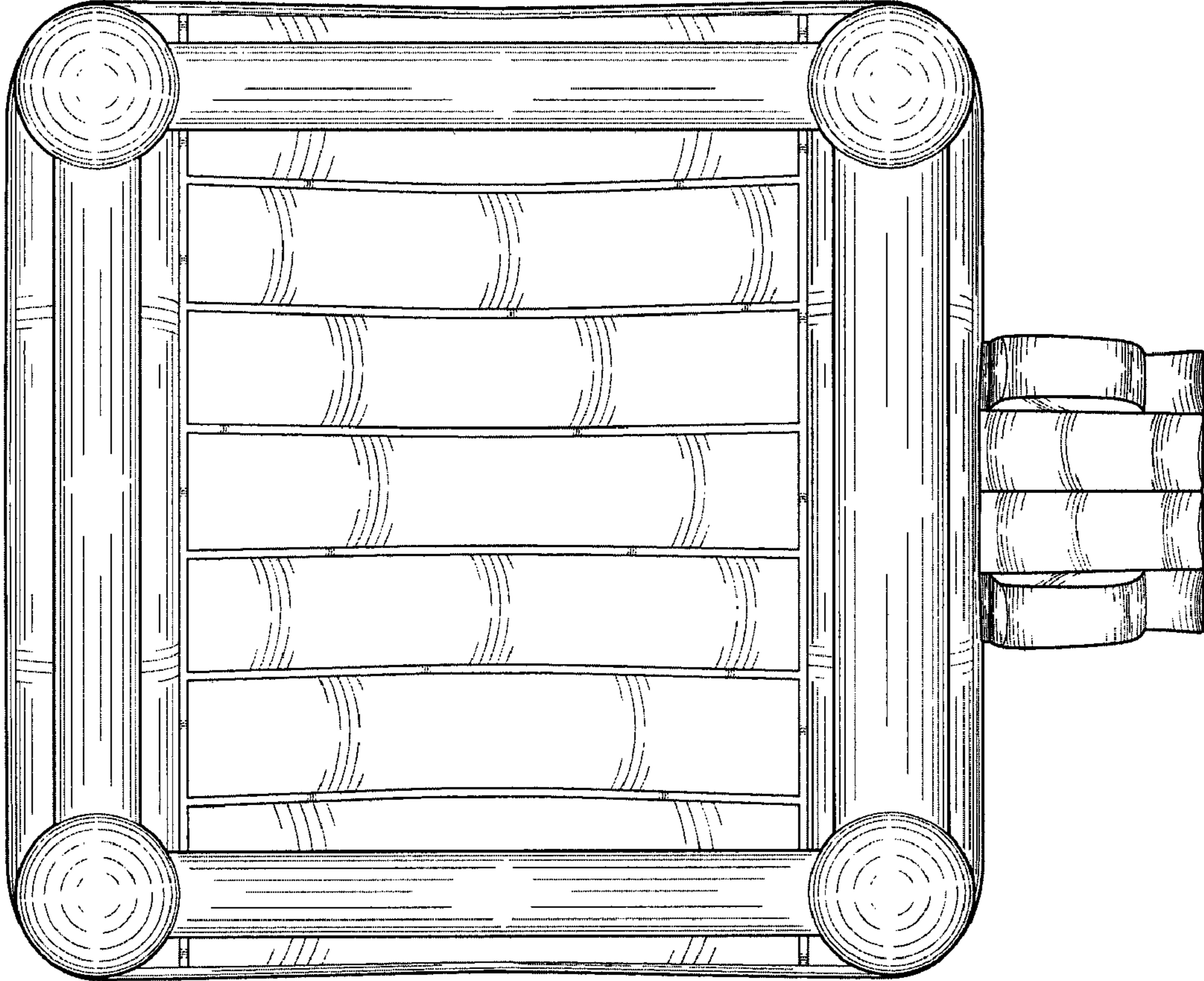


FIG. 6