

US00D595799S

(12) **United States Design Patent**
Yang

(10) **Patent No.:** **US D595,799 S**

(45) **Date of Patent:** **** Jul. 7, 2009**

(54) **GOLF CLUB GROOVE CLEANING APPARATUS**

D345,776 S * 4/1994 Williams D21/793
D477,377 S * 7/2003 D'Aguzzo D21/793
D554,726 S * 11/2007 Blanks D21/793

(76) Inventor: **Jason Ching-Hsin Yang**, 4136 West
13th Avenue, Vancouver, BC (CA) V6R
2T6

* cited by examiner

Primary Examiner—Mitchell I Siegel

(**) Term: **14 Years**

(57) **CLAIM**

(21) Appl. No.: **29/322,122**

The ornamental design for “golf club groove cleaning apparatus,” as shown and described.

(22) Filed: **Jul. 29, 2008**

DESCRIPTION

(51) **LOC (9) Cl.** **21-02**

(52) **U.S. Cl.** **D21/789**

(58) **Field of Classification Search** D21/789,
D21/793; 473/283, 408

See application file for complete search history.

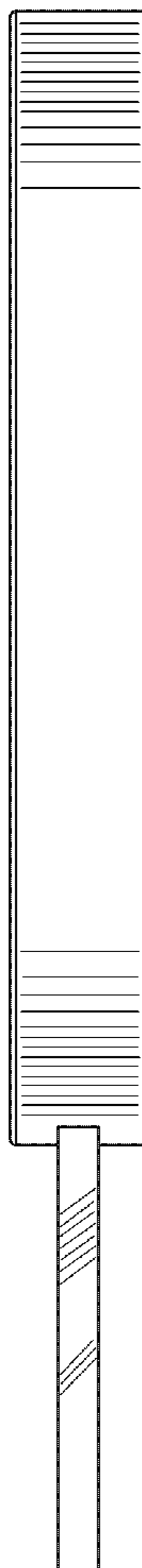
FIG. 1 is a perspective view of “golf club groove cleaning apparatus” showing my new design thereof;
FIG. 2 is a right side elevation view thereof;
FIG. 3 is a top plan view thereof;
FIG. 4 is a front side elevation view thereof;
FIG. 5 is a bottom plan view thereof;
FIG. 6 is a rear side elevation view thereof; and,
FIG. 7 is a left side elevation view thereof.

(56) **References Cited**

U.S. PATENT DOCUMENTS

3,310,879 A * 3/1967 Brzezinski et al. D21/793
D253,788 S * 12/1979 Kravich D21/793
D290,634 S * 6/1987 Shumlas D21/793

1 Claim, 4 Drawing Sheets



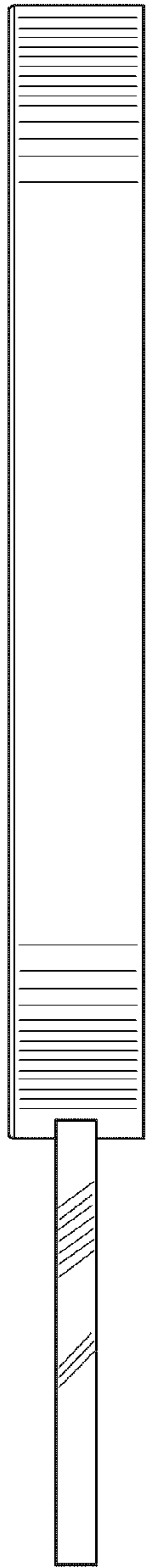


Fig. 2

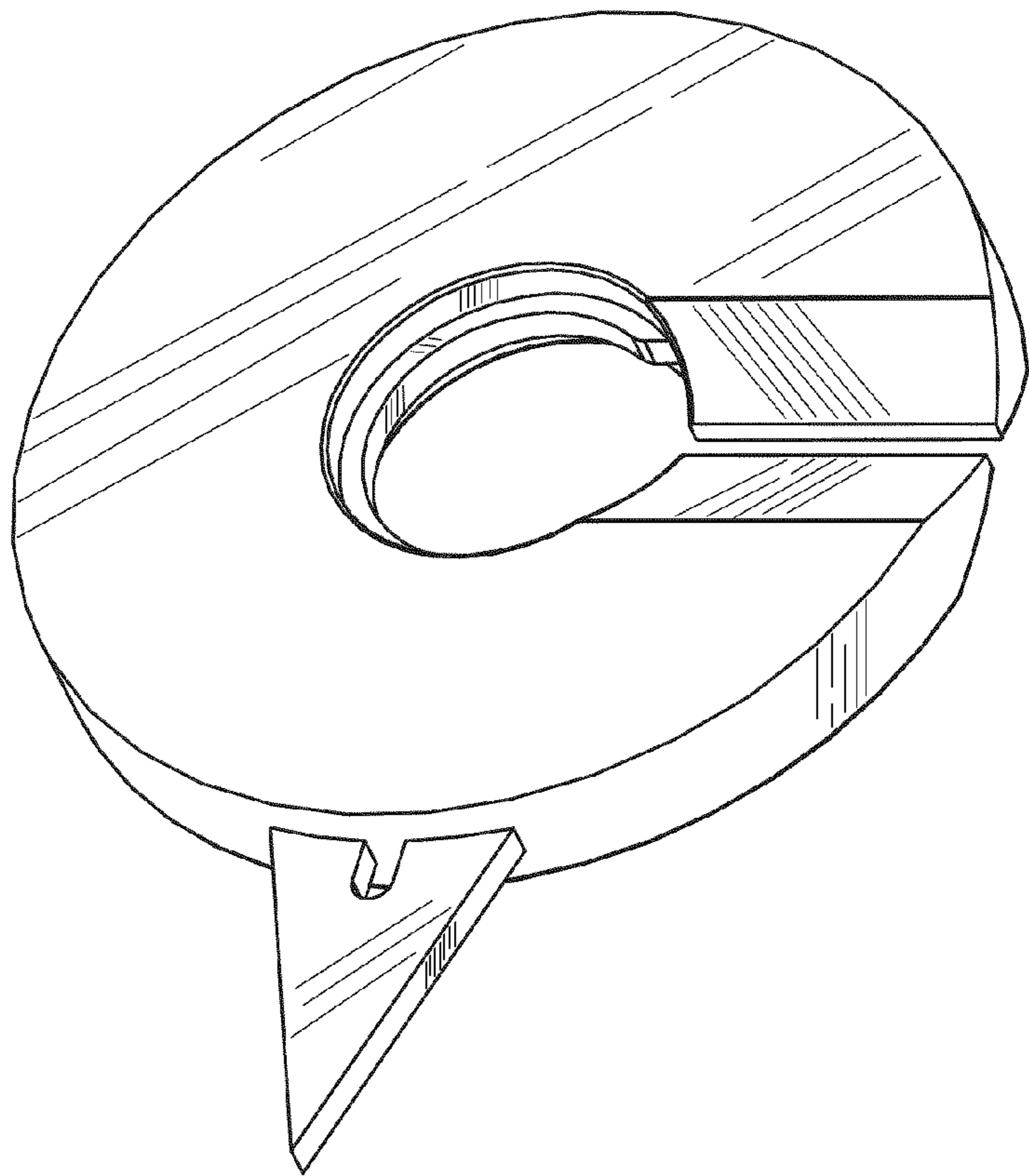


Fig. 1



Fig. 3

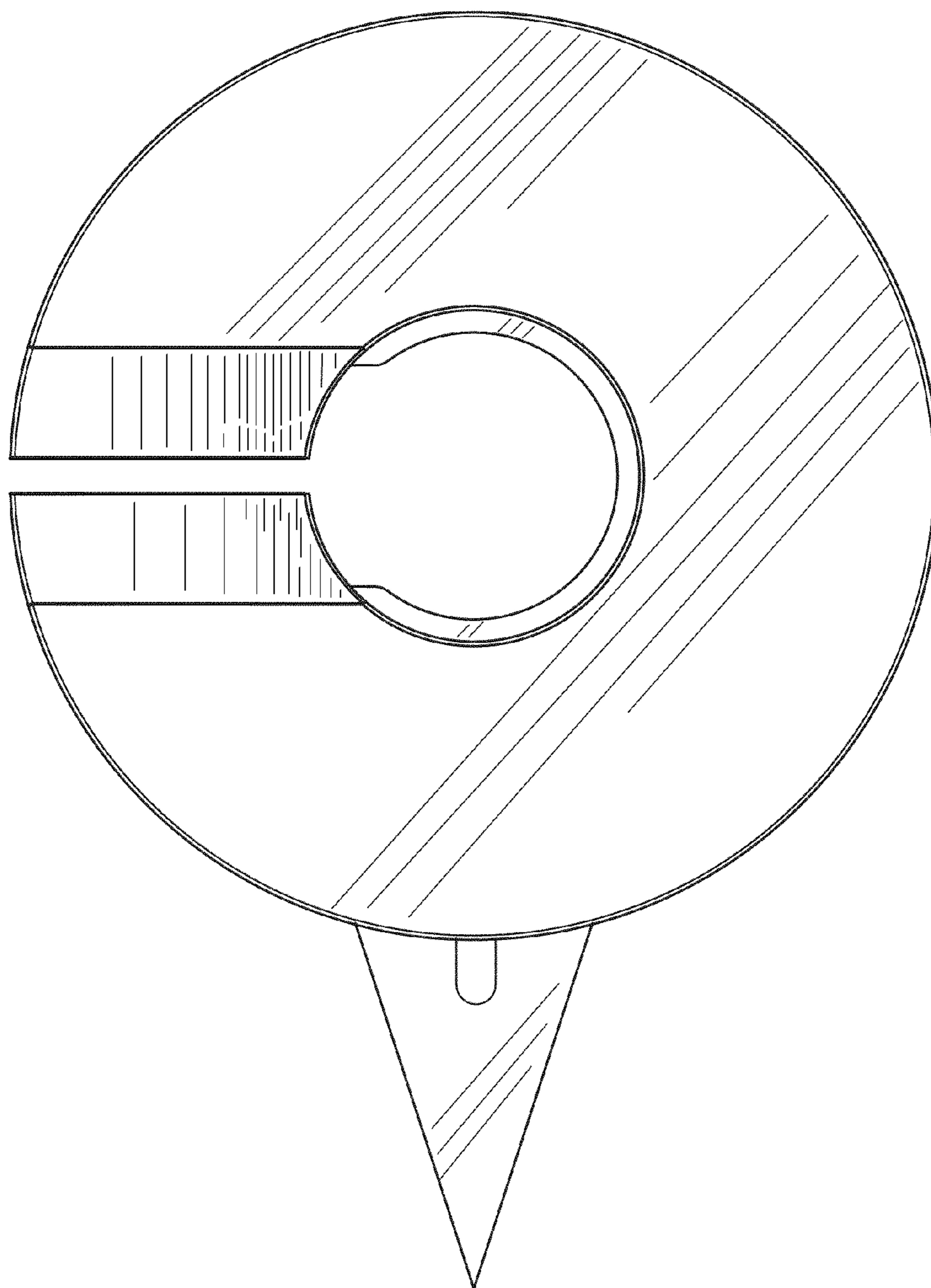


Fig. 4

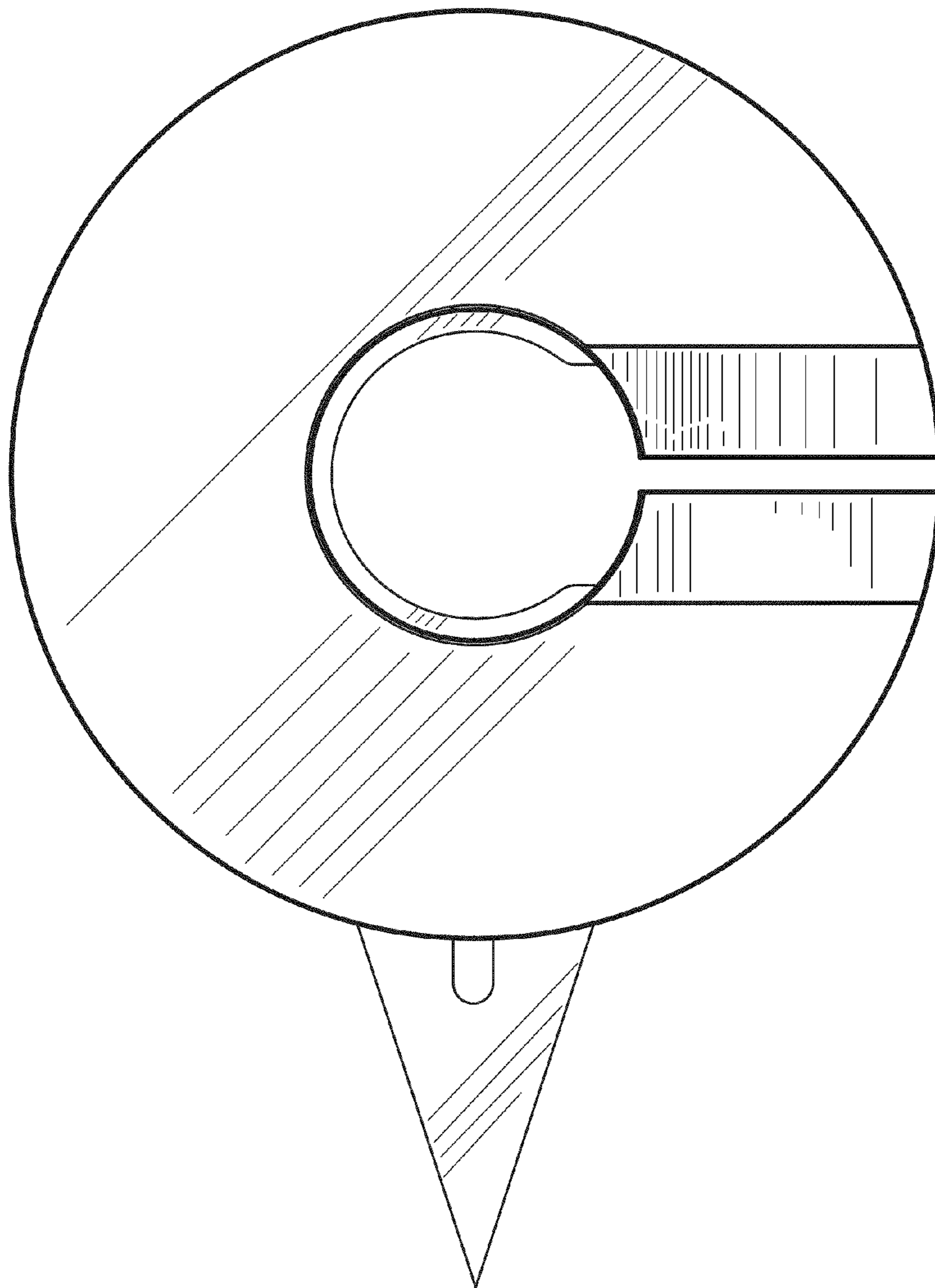


Fig. 5

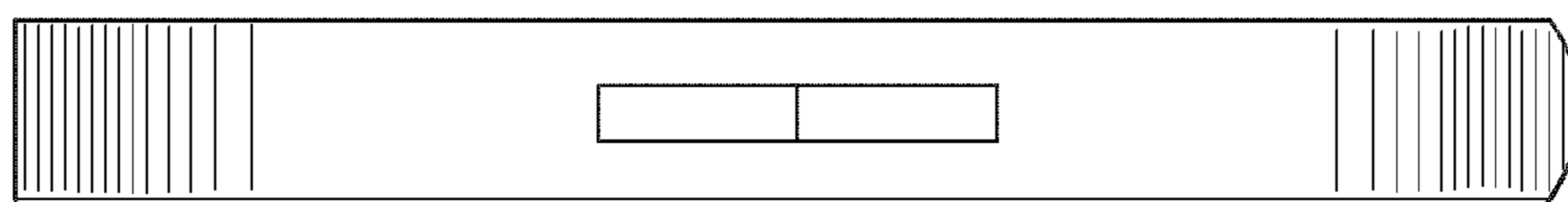


Fig. 6

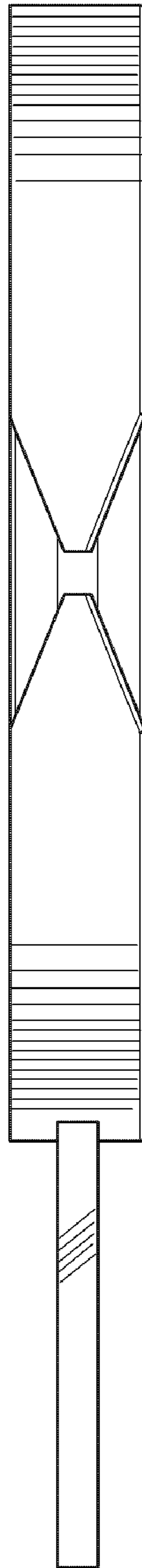


Fig. 7