



US00D595797S

(12) **United States Design Patent**
Oldknow

(10) **Patent No.:** **US D595,797 S**
(45) **Date of Patent:** **** Jul. 7, 2009**

(54) **GOLF CLUB HEAD**

(75) Inventor: **Andrew G. V. Oldknow**, Portland, OR
(US)

(73) Assignee: **NIKE, Inc.**, Beaverton, OR (US)

(**) Term: **14 Years**

(21) Appl. No.: **29/329,505**

(22) Filed: **Dec. 16, 2008**

(51) **LOC (9) Cl.** **21-02**

(52) **U.S. Cl.** **D21/759**

(58) **Field of Classification Search** D21/747-751,
D21/759; 473/324-331, 350
See application file for complete search history.

(56) **References Cited**

U.S. PATENT DOCUMENTS

5,014,993 A	5/1991	Antonious	
D327,520 S	6/1992	Antonious	
D328,482 S	8/1992	Antonious	
D332,478 S	1/1993	Antonious	
D361,358 S	8/1995	Simmons	
D398,687 S *	9/1998	Miyajima et al. D21/747
D413,369 S	8/1999	Peng	
D428,634 S *	7/2000	Nagai et al. D21/759
D428,635 S	7/2000	Nagai et al.	
D453,949 S	2/2002	Helmstetter et al.	
D509,868 S *	9/2005	Imamoto D21/747
D511,553 S	11/2005	Madore	
D512,474 S	12/2005	Madore	
D512,475 S	12/2005	Madore	
D516,152 S	2/2006	Madore	
D518,538 S *	4/2006	Ines et al. D21/747
D526,036 S *	8/2006	Nishitani D21/747
D534,609 S *	1/2007	Gilbert et al. D21/759

D539,862 S	4/2007	Nunez et al.	
D540,901 S *	4/2007	Gilbert et al. D21/759
D541,363 S *	4/2007	Gilbert et al. D21/759
D579,996 S *	11/2008	Gilbert et al. D21/747
D588,667 S *	3/2009	Oldknow D21/759
D589,105 S *	3/2009	Oldknow D21/759
D589,108 S *	3/2009	Oldknow D21/759

OTHER PUBLICATIONS

Goldsmith 97, p. 11, Goldsmith Lady Sterling.
Edwin Watts Spring 2000, p. 80, T-Zoid True Forged Irons.
Edwin Watts Holiday 2004, p. 28, Di5 Distance Irons.

* cited by examiner

Primary Examiner—Mitchell I Siegel
(74) *Attorney, Agent, or Firm*—Banner & Witcoff, Ltd.

(57) **CLAIM**

The ornamental design for a golf club head, as shown and described.

DESCRIPTION

FIG. 1 is a perspective view of a golf club head showing my new design;

FIG. 2 is a rear view thereof;

FIG. 3 is a heel end view thereof;

FIG. 4 is a bottom view thereof;

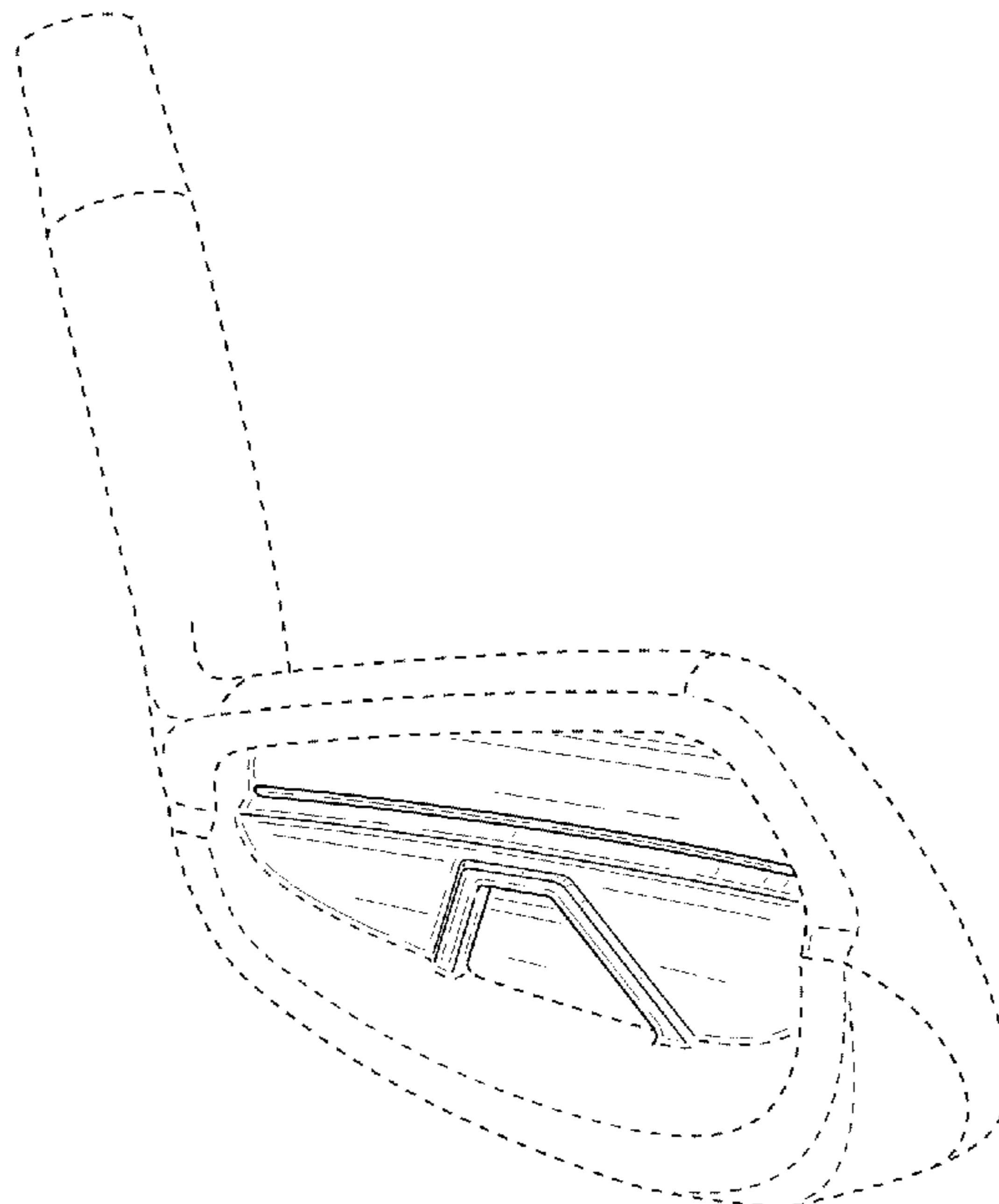
FIG. 5 is a front view thereof;

FIG. 6 is a toe end view thereof; and,

FIG. 7 is a top view thereof.

The broken line showing of the remainder of the golf club head is for environmental purposes only and forms no part of the claimed design.

1 Claim, 5 Drawing Sheets



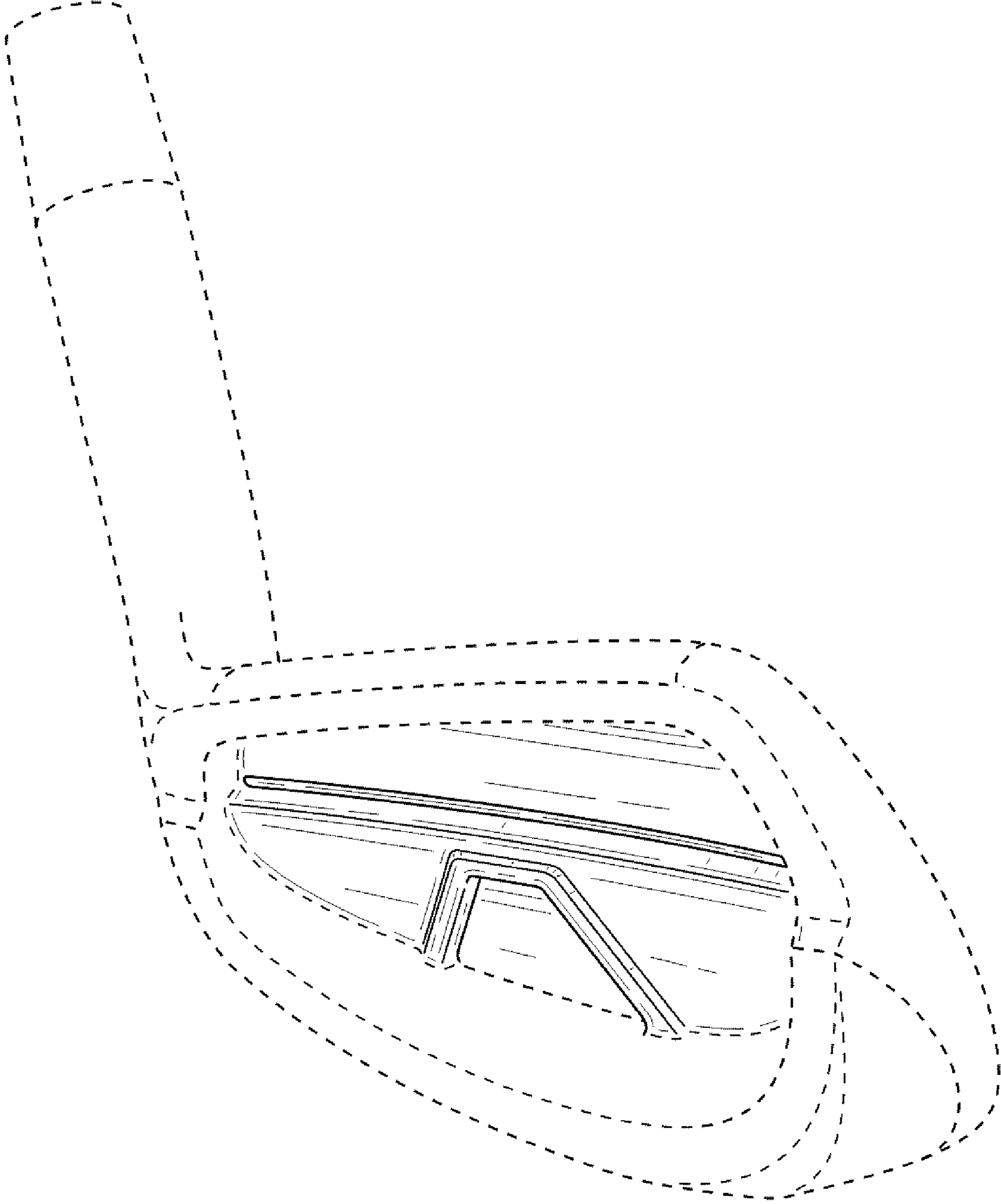


FIG. 1

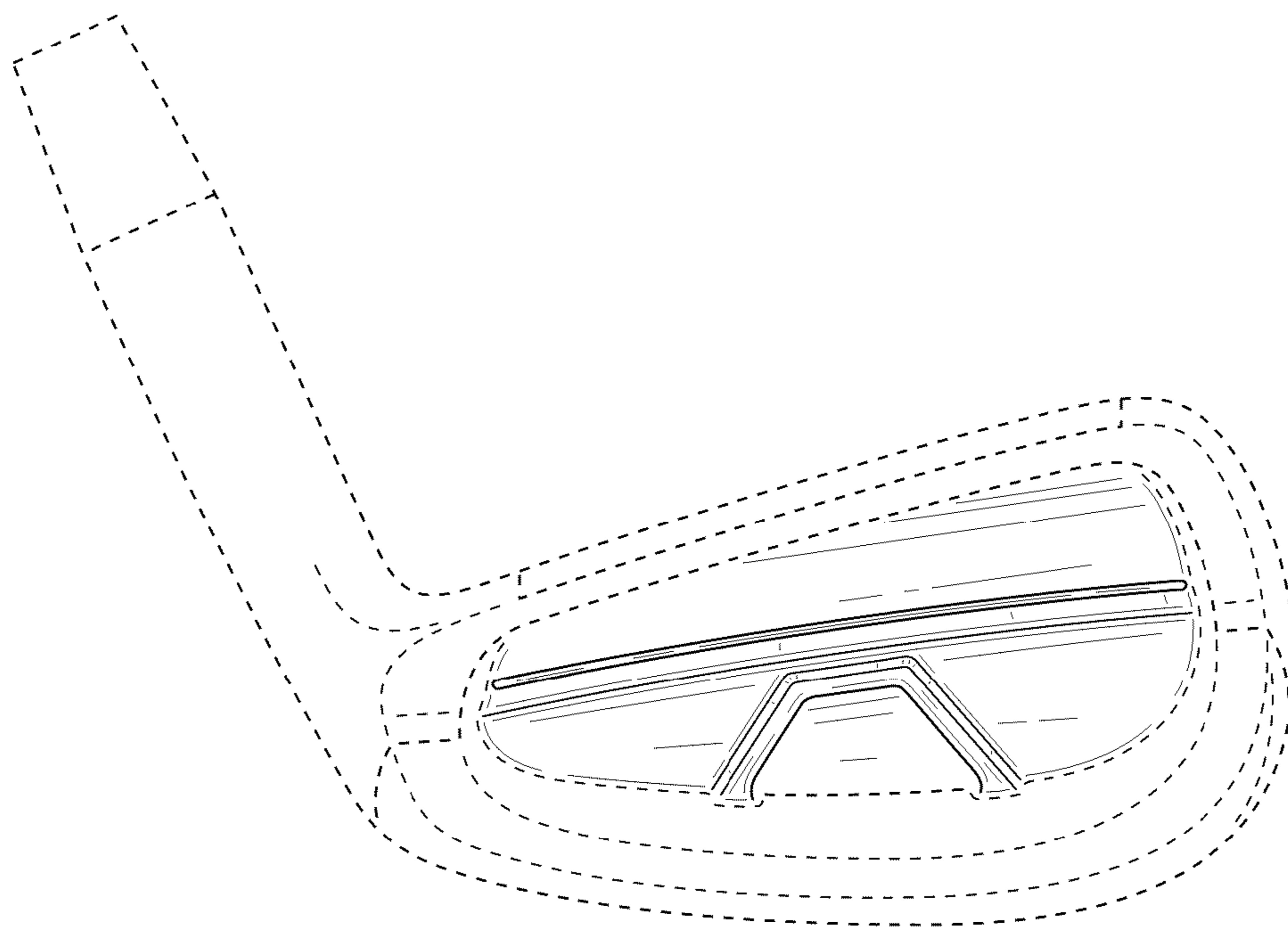


FIG. 2

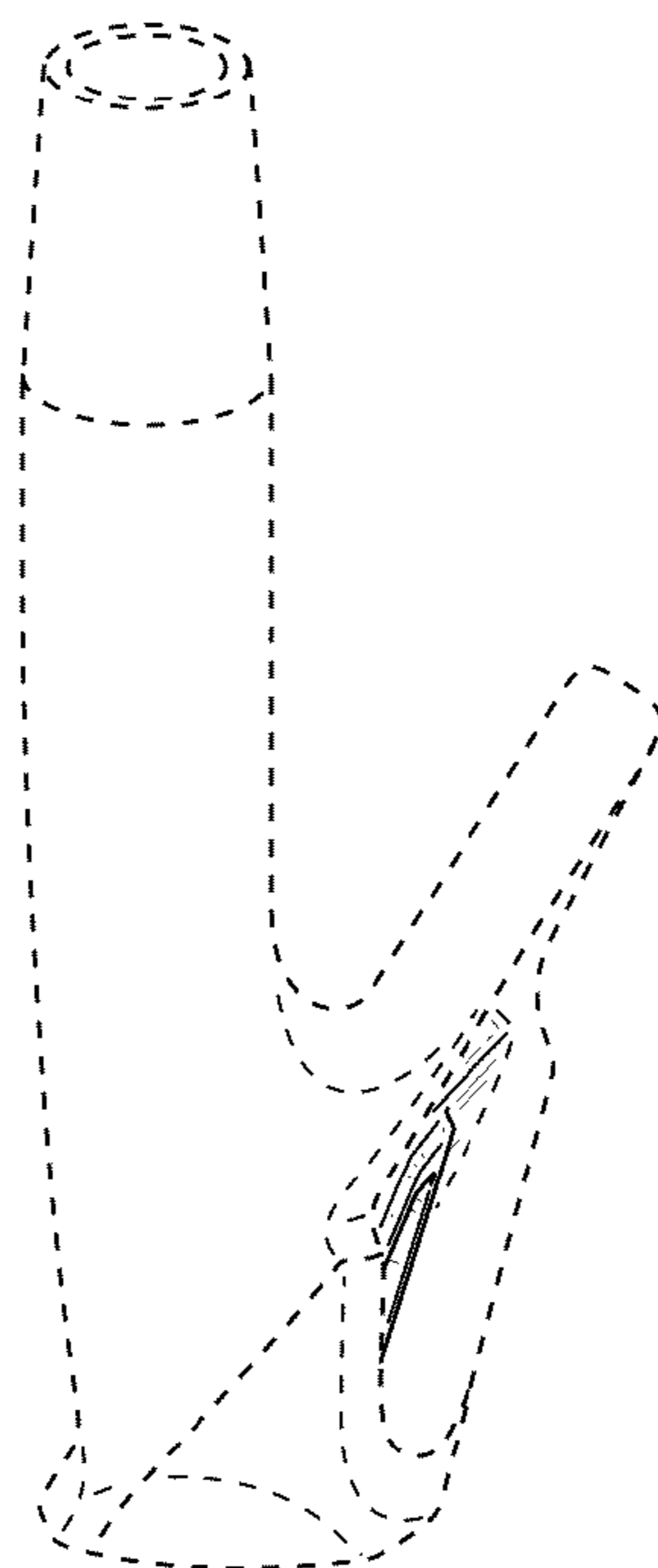


FIG. 3

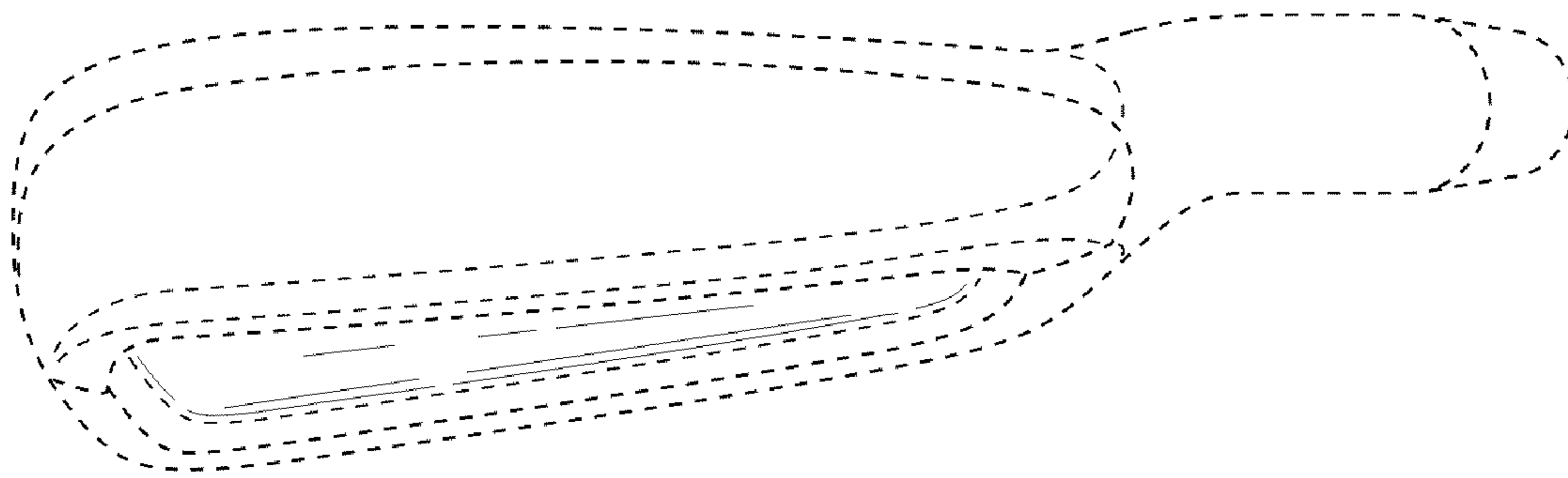


FIG. 4

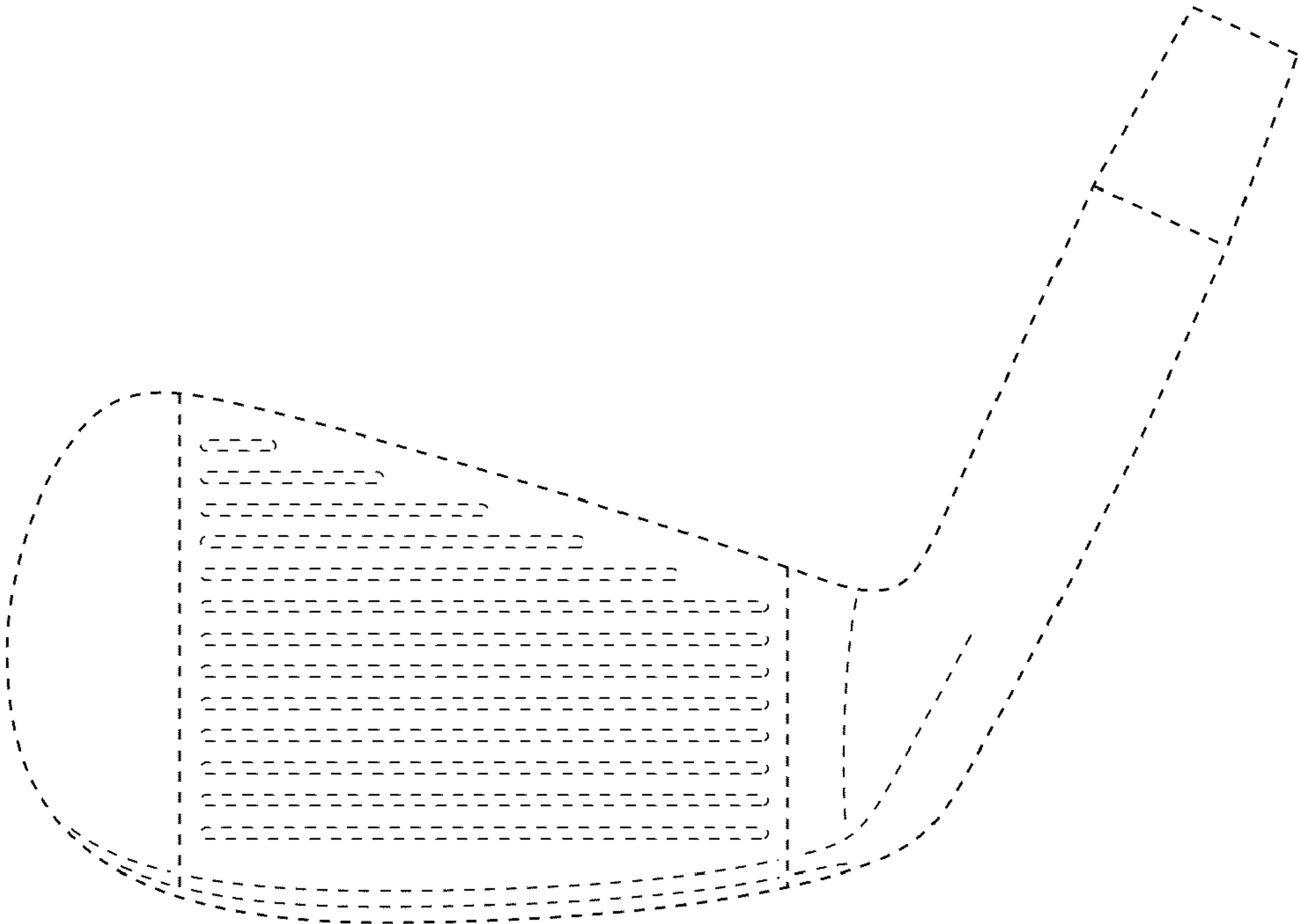


FIG. 5

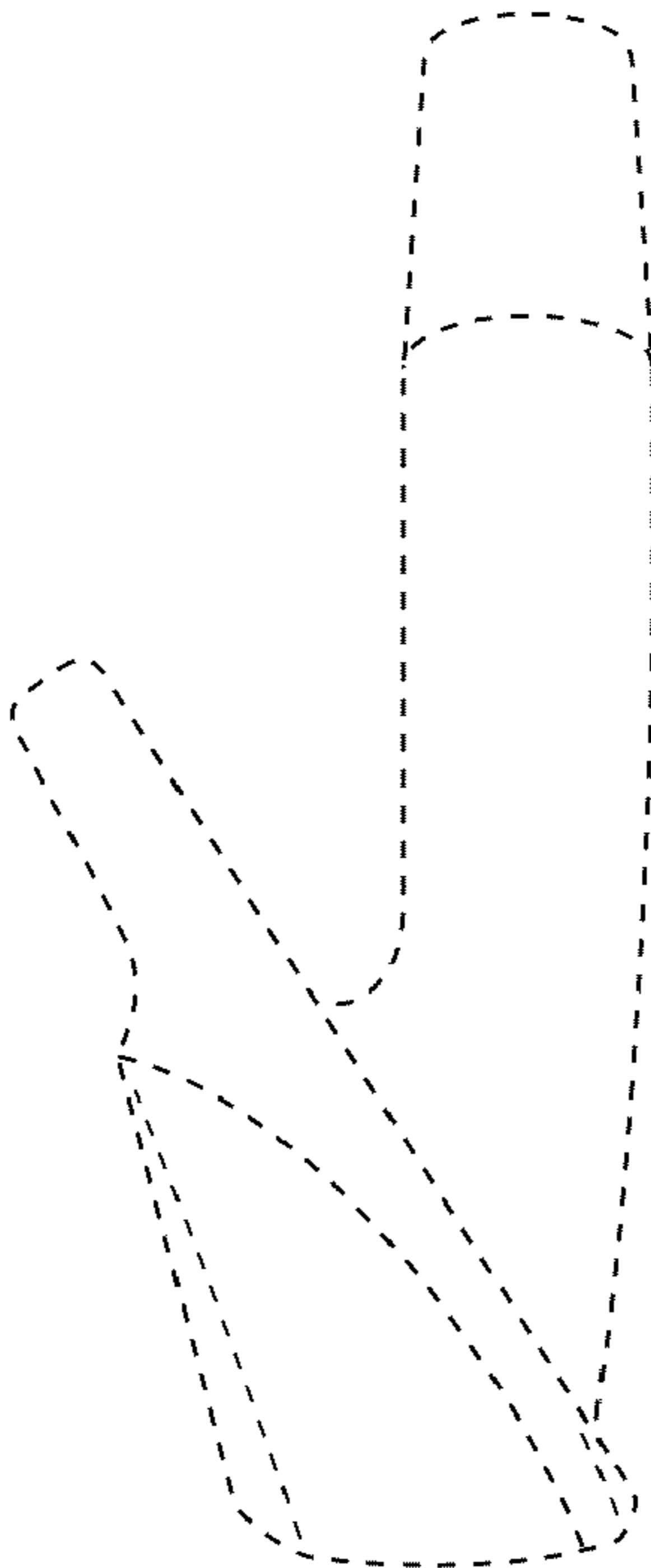


FIG. 6

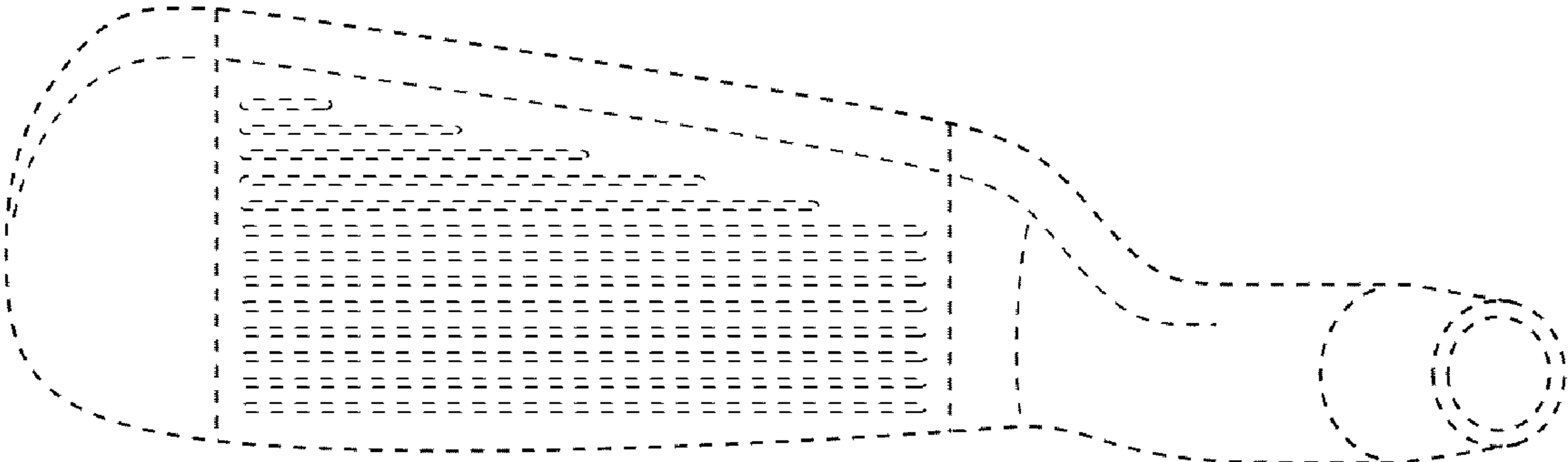


FIG. 7