



US00D595793S

(12) **United States Design Patent**
Rollinson

(10) **Patent No.:** **US D595,793 S**
(45) **Date of Patent:** **** Jul. 7, 2009**

(54) **PUTTER HEAD**

(75) Inventor: **Augustin W. Rollinson**, Carlsbad, CA
(US)

(73) Assignee: **Callaway Golf Company**, Carlsbad, CA
(US)

(**) Term: **14 Years**

(21) Appl. No.: **29/325,283**

(22) Filed: **Sep. 29, 2008**

Related U.S. Application Data

(63) Continuation-in-part of application No. 29/295,358,
filed on Sep. 27, 2007, now abandoned.

(51) **LOC (9) Cl.** **21-02**

(52) **U.S. Cl.** **D21/736**

(58) **Field of Classification Search** D21/736-746,
D21/759; 473/324-331, 340-341, 251-256
See application file for complete search history.

(56) **References Cited**

U.S. PATENT DOCUMENTS

D483,824 S *	12/2003	Tang et al.	D21/738
D496,418 S *	9/2004	Tang et al.	D21/738
D518,127 S *	3/2006	Tang et al.	D21/742
D537,135 S *	2/2007	Rollinson et al.	D21/742
D545,385 S *	6/2007	Tang et al.	D21/736

D548,296 S *	8/2007	Rollinson	D21/744
D557,361 S *	12/2007	Rollinson	D21/743
D569,462 S *	5/2008	Rollinson	D21/744
D571,879 S *	6/2008	Jones et al.	D21/736
D572,780 S *	7/2008	Rollinson	D21/744
D574,907 S *	8/2008	Jones et al.	D21/736
D575,366 S *	8/2008	Rollinson	D21/744

* cited by examiner

Primary Examiner—Mitchell I Siegel

(74) *Attorney, Agent, or Firm*—Michael A. Catania; Elaine H. Lo

(57) **CLAIM**

The ornamental design for a putter head, as shown and described.

DESCRIPTION

FIG. 1 is a top perspective view of a putter head as claimed herein

FIG. 2 is a front elevational view thereof;

FIG. 3 is a rear elevational view thereof;

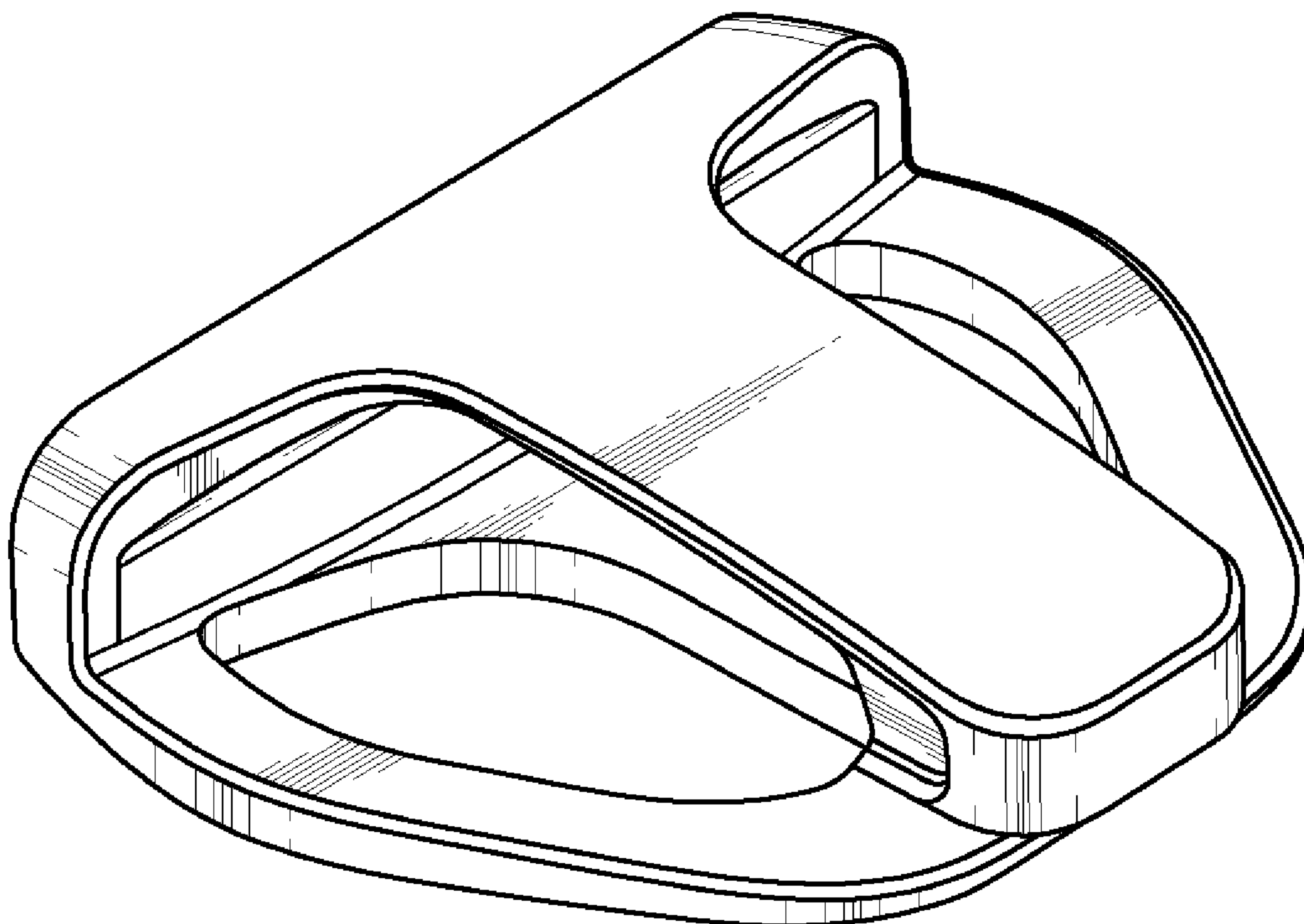
FIG. 4 is a toe elevational view thereof;

FIG. 5 is a heel elevational view thereof

FIG. 6 is a top plan view thereof; and,

FIG. 7 is a bottom plan view thereof.

1 Claim, 2 Drawing Sheets



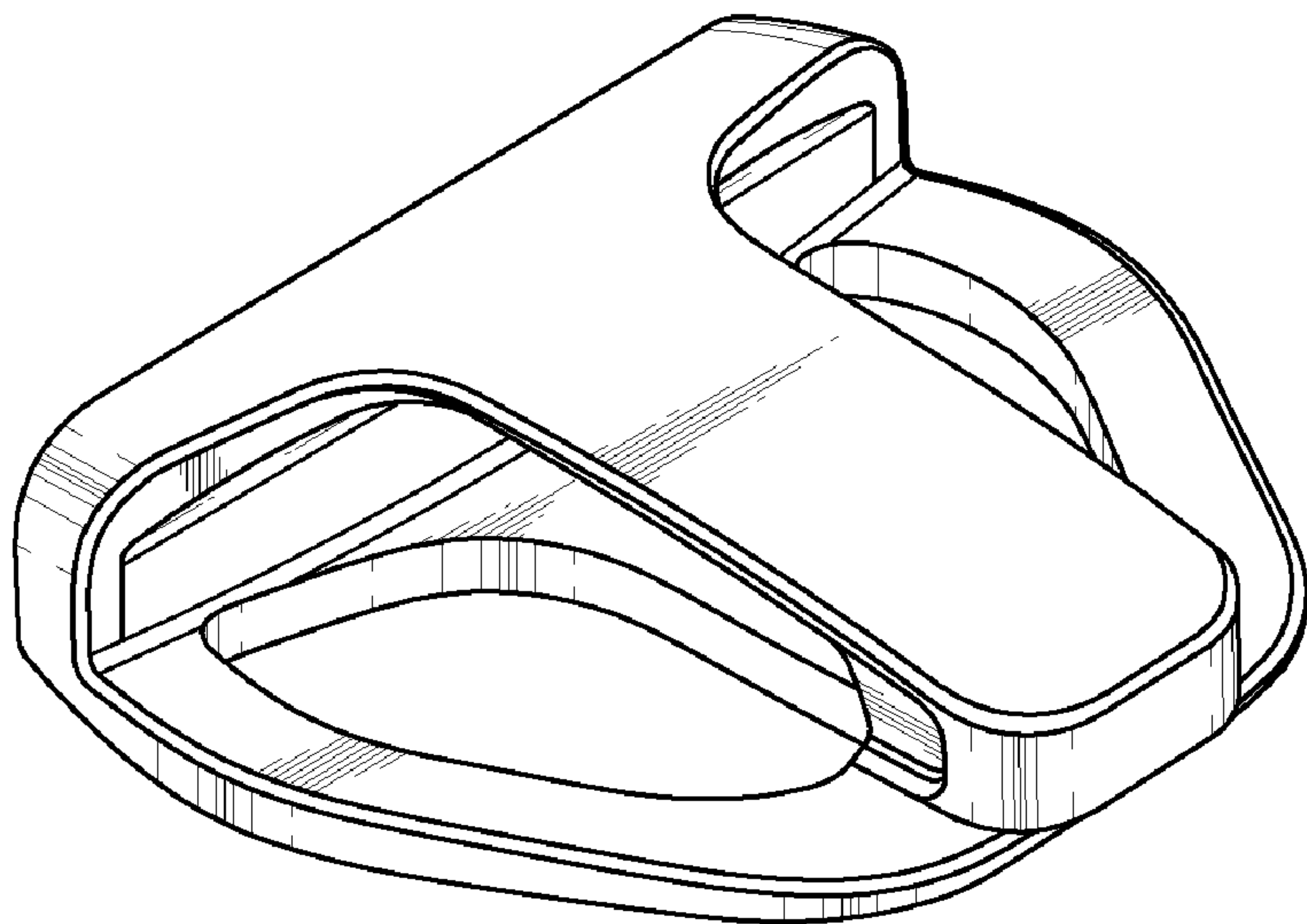


FIG. 1

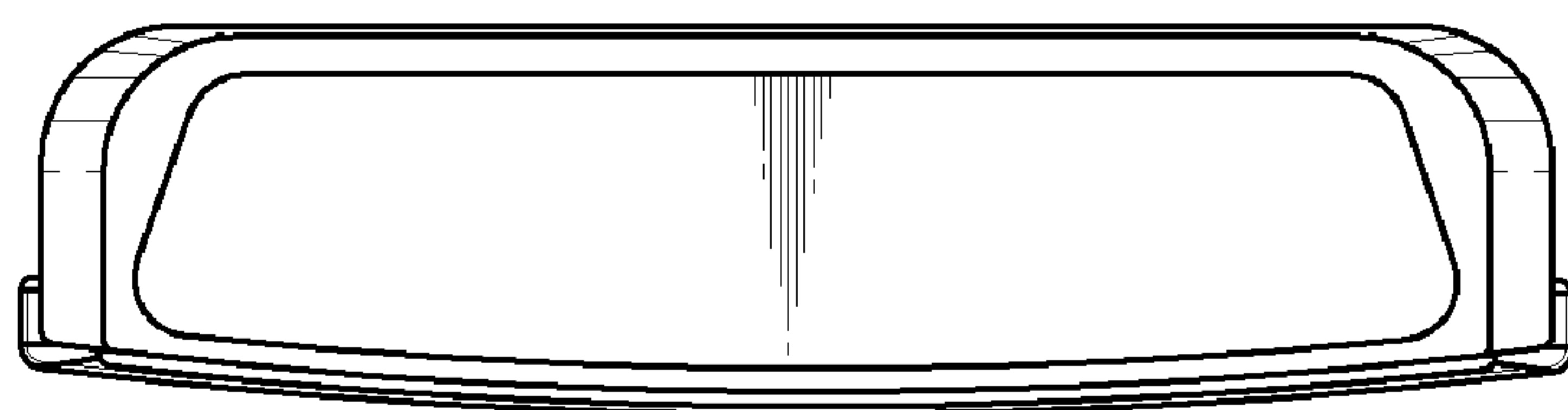


FIG. 2

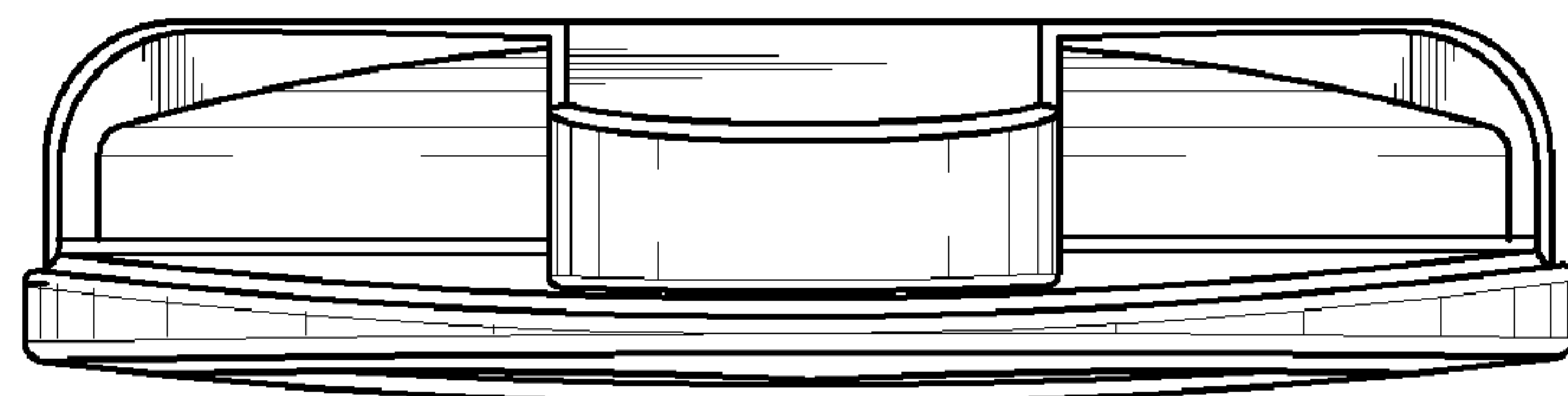


FIG. 3



FIG. 4

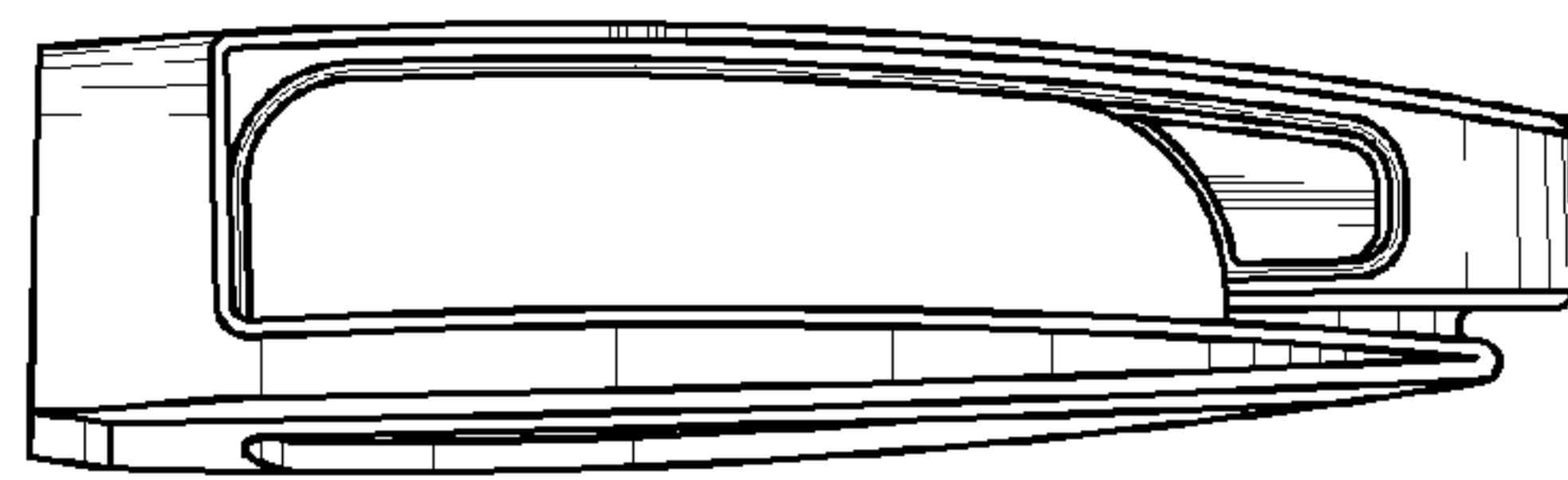


FIG. 5

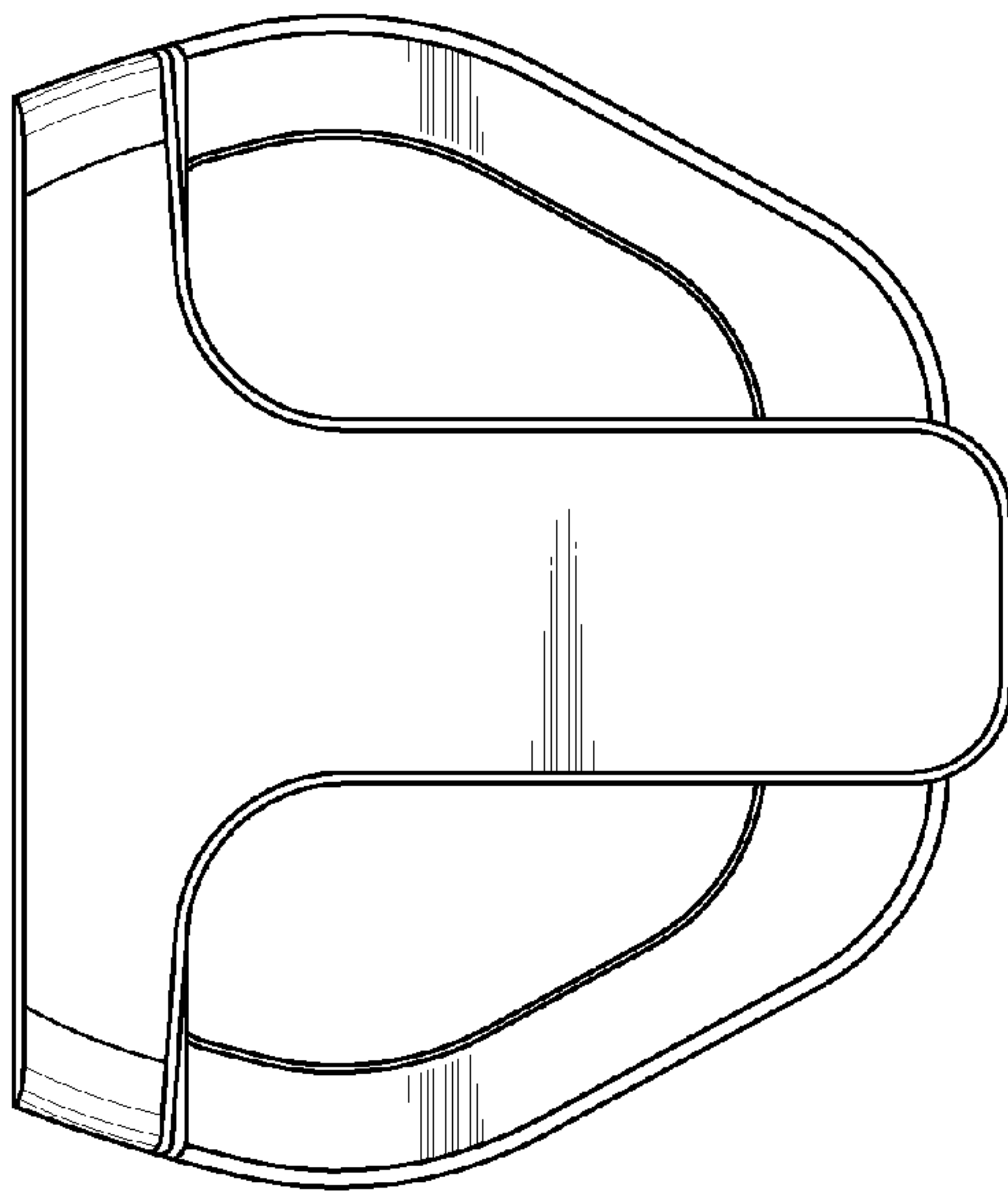


FIG. 6

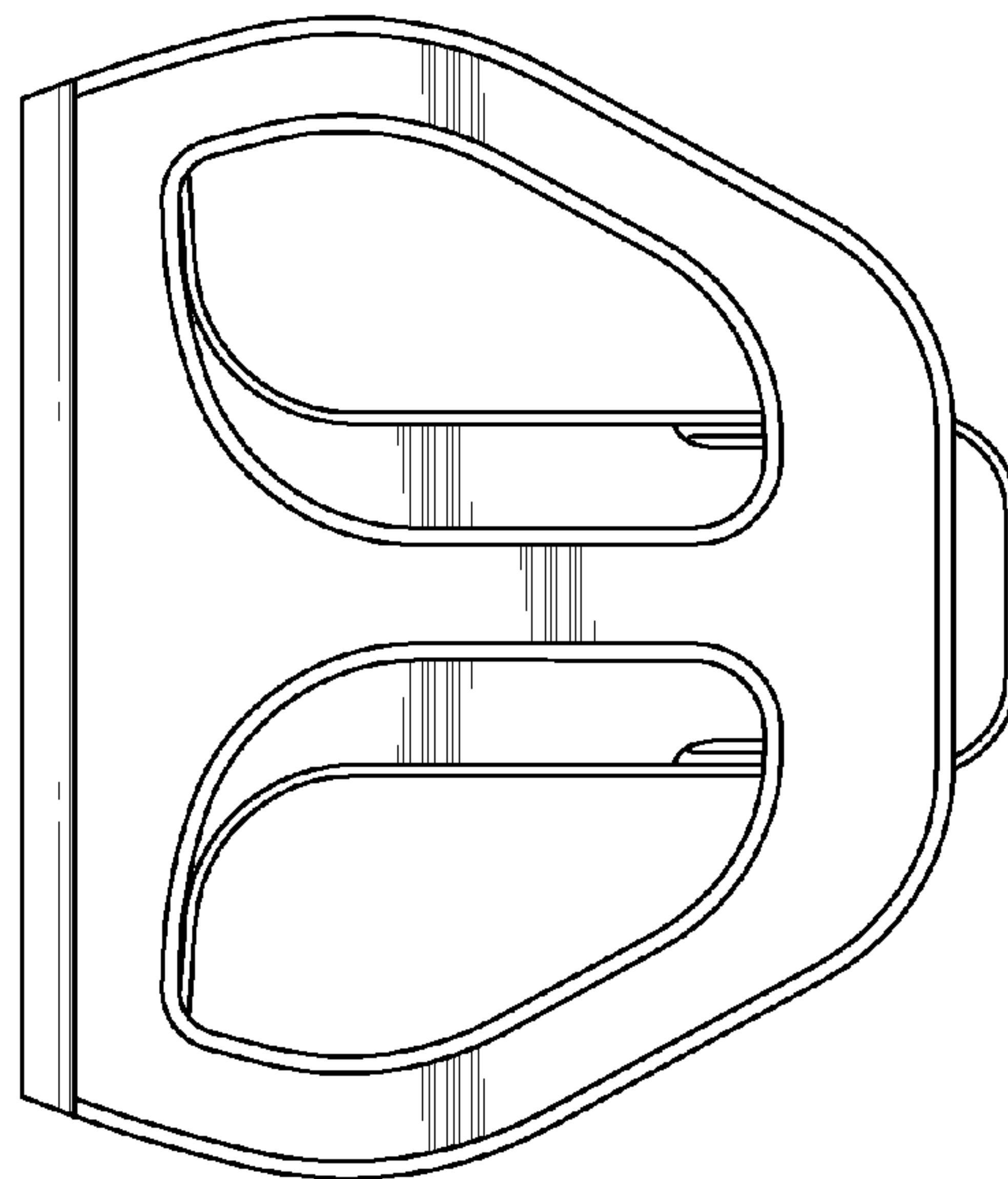


FIG. 7