



US00D595792S

(12) **United States Design Patent**
Drouin et al.

(10) **Patent No.:** **US D595,792 S**
(45) **Date of Patent:** **** Jul. 7, 2009**

(54) **HOCKEY STICK SHAFT**

(75) Inventors: **Vincent Drouin**, Montreal (CA); **Robert Timothy Pearson**, Banning, CA (US)

(73) Assignee: **Sport Maska Inc.**, Montreal (CA)

(**) Term: **14 Years**

(21) Appl. No.: **29/318,927**

(22) Filed: **May 30, 2008**

(51) **LOC (9) Cl.** **21-02**

(52) **U.S. Cl.** **D21/727**

(58) **Field of Classification Search** D21/727,
D21/756-757; 473/560-563

See application file for complete search history.

(56) **References Cited**

U.S. PATENT DOCUMENTS

649,146 A 5/1900 Tice

(Continued)

FOREIGN PATENT DOCUMENTS

CA 896691 3/1972

(Continued)

Primary Examiner—Mitchell I Siegel

(74) *Attorney, Agent, or Firm*—Osler, Hoskin & Harcourt LLP

(57) **CLAIM**

The ornamental design for hockey stick shaft, as shown and described.

DESCRIPTION

FIG. 1 is a rear left perspective view showing hockey stick shaft according to our design;

FIG. 2 is a rear elevation view of the hockey stick shaft of FIG. 1, a front elevation view being a mirror image thereof;

FIG. 3 is a right side elevation view of the hockey stick shaft of FIG. 1, a left side elevation view being a mirror image thereof;

FIG. 4 is a bottom plan view of the hockey stick shaft of FIG. 1;

FIG. 5 is a cross-sectional view of the hockey stick shaft taken along the line 5—5 in FIG. 2;

FIG. 6 is a cross-sectional view of the hockey stick shaft taken along the line 6—6 in FIG. 2;

FIG. 7 is a cross-sectional view of the hockey stick shaft taken along the line 7—7 in FIG. 2;

FIG. 8 is a cross-sectional view of the hockey stick shaft taken along the line 8—8 in FIG. 2;

FIG. 9 is a rear left perspective close-up view of the portion of the hockey stick shaft indicated by bracket 9 in FIG. 1;

FIG. 10 is a rear elevation view of the portion of the hockey stick shaft of FIG. 9, a front elevation view being a mirror image thereof;

FIG. 11 is a right side elevation view of the portion of the hockey stick shaft of FIG. 9, a left side elevation view being a mirror image thereof;

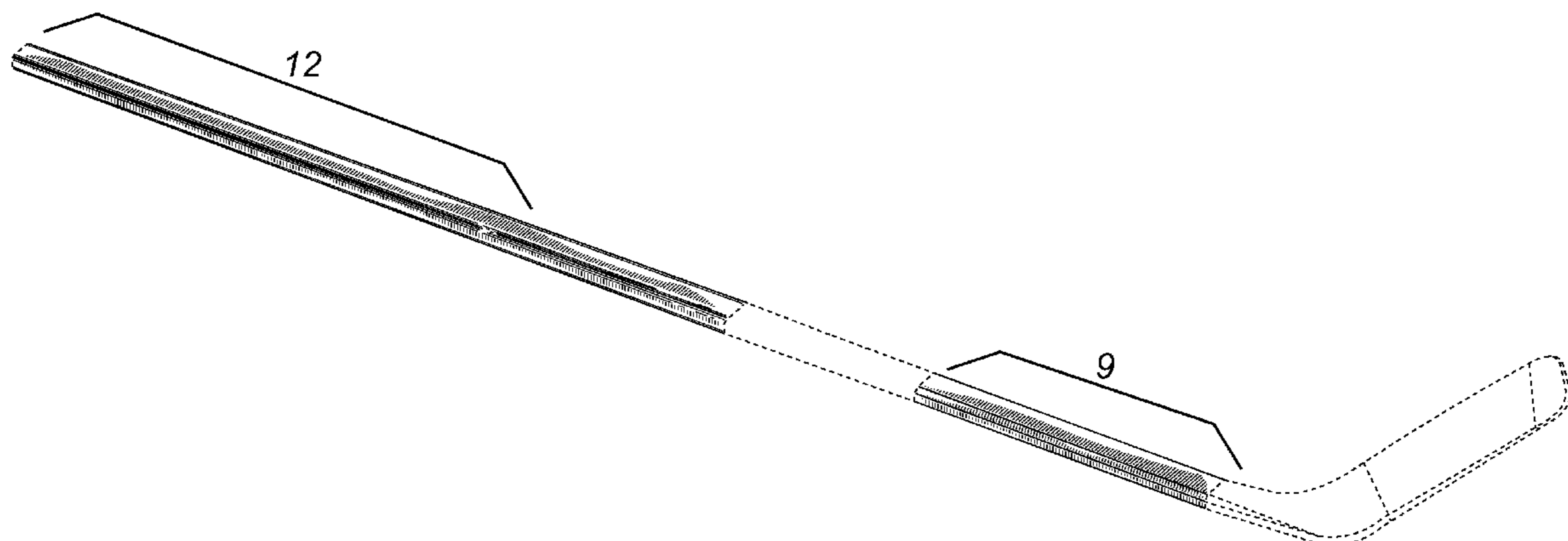
FIG. 12 is a rear left perspective close-up view of the portion of the hockey stick shaft indicated by bracket 12 in FIG. 1;

FIG. 13 is a rear elevation view of the portion of the hockey stick shaft of FIG. 12, a front elevation view being a mirror image thereof; and,

FIG. 14 is a right side elevation view of the portion of the hockey stick shaft of FIG. 12, a left side elevation view being a mirror image thereof.

Throughout the Figures, broken lines showing structure and environment (e.g. a typical hockey stick blade) are for illustrative purposes only and form no part of the claimed design. Portions of the hockey stick shaft not shown in the Figures do not form part of the claimed design.

1 Claim, 7 Drawing Sheets



US D595,792 S

Page 2

U.S. PATENT DOCUMENTS

1,459,389	A	6/1923	Brown	
2,040,132	A	5/1936	Hall	
2,596,894	A	5/1952	Frisch	
3,702,702	A	11/1972	Hoult	
3,844,555	A *	10/1974	Tremblay	473/563
3,934,875	A	1/1976	Easton et al.	
D244,790	S *	6/1977	Carlson et al.	D21/727
4,159,114	A	6/1979	Ardell et al.	
4,200,479	A	4/1980	Ardell et al.	
4,353,549	A	10/1982	Goupil et al.	
4,684,130	A	8/1987	Drolet et al.	
4,739,994	A	4/1988	Lewis, Jr.	
4,940,243	A	7/1990	Tucker et al.	
5,007,652	A	4/1991	Tucker et al.	
5,048,843	A	9/1991	Dorfi et al.	
5,082,290	A	1/1992	Tucker et al.	
5,603,498	A	2/1997	Crawford et al.	
5,651,744	A	7/1997	Millon et al.	
5,674,140	A	10/1997	Tucker et al.	
5,718,647	A *	2/1998	Tiitola	473/562
D404,449	S	1/1999	Burger	
D406,625	S	3/1999	Hutzenlaub	
D412,544	S	8/1999	Burger	
5,967,913	A	10/1999	Sulenta	
6,033,327	A	3/2000	Bird	
6,033,328	A	3/2000	Bellefleur et al.	
D430,249	S *	8/2000	Burger	D21/757
6,129,962	A	10/2000	Quigley et al.	
6,241,633	B1	6/2001	Conroy	
6,267,697	B1	7/2001	Sulenta	
6,500,079	B1	12/2002	Tucker et al.	
D484,555	S	12/2003	Bellefleur et al.	
6,752,730	B1	6/2004	Brine, Jr. et al.	
D504,166	S *	4/2005	Bellefleur et al.	D21/757
D504,929	S *	5/2005	Bellefleur et al.	D21/757
6,960,144	B2	11/2005	Tucker et al.	
7,097,577	B2 *	8/2006	Goldsmith et al.	473/563
7,108,616	B2	9/2006	Morrow et al.	
D531,243	S *	10/2006	Davis	D21/756
D534,227	S	12/2006	Lee	
7,144,343	B2	12/2006	Goldsmith et al.	
7,201,678	B2	4/2007	Filice et al.	
D544,932	S	6/2007	Scott	
7,232,386	B2	6/2007	Halko et al.	
7,282,000	B2	10/2007	Brine, III et al.	
7,285,063	B2	10/2007	Lussier et al.	
D556,281	S	11/2007	Bamber	
7,326,135	B2	2/2008	Lussier et al.	
2002/0128094	A1	9/2002	Manory	
2004/0087395	A1	5/2004	Manory	

2004/0121864	A1	6/2004	Morrow et al.
2005/0064964	A1	3/2005	Filice et al.
2005/0137037	A1	6/2005	Tucker, Sr.
2005/0209029	A1	9/2005	Morrow et al.
2005/0215363	A1	9/2005	Lussier et al.
2005/0277494	A1	12/2005	Goss
2005/0282666	A1	12/2005	Morrow
2005/0282667	A1	12/2005	Morrow
2006/0046866	A1	3/2006	Rigoli
2006/0247077	A1	11/2006	Deetz
2007/0004541	A1	1/2007	Price et al.
2007/0010358	A1	1/2007	Filice et al.
2007/0049431	A1	3/2007	Meyer et al.
2007/0135244	A1	6/2007	Lee
2007/0184923	A1	8/2007	Morrow
2007/0270255	A1	11/2007	Morrow et al.
2007/0287561	A1	12/2007	Rigoli
2008/0026882	A1	1/2008	Main

FOREIGN PATENT DOCUMENTS

CA	1180728	1/1985
CA	1205835	6/1986
CA	1215406	12/1986
CA	1219886	3/1987
CA	2091630	3/1993
CA	1317610	5/1993
CA	2106178	9/1993
CA	2071158	10/1993
CA	2117962	10/1994
CA	2138715	1/1996
CA	2158898	3/1997
CA	2382571	3/2000
CA	2428217	5/2002
CA	2451911	1/2003
CA	2358307	4/2003
CA	2481072	3/2005
CA	2481072	A1 3/2005
CA	2506213	A1 5/2005
CA	2462333	9/2005
CA	2502538	9/2005
CA	2502630	9/2005
CA	2502642	9/2005
CA	2558046	9/2005
CA	2485420	1/2006
CA	2575460	3/2006
CA	2526724	5/2006
WO	9421334	9/1994
WO	0114019	3/2001
WO	2006016911	2/2006
WO	2007033536	3/2007

* cited by examiner

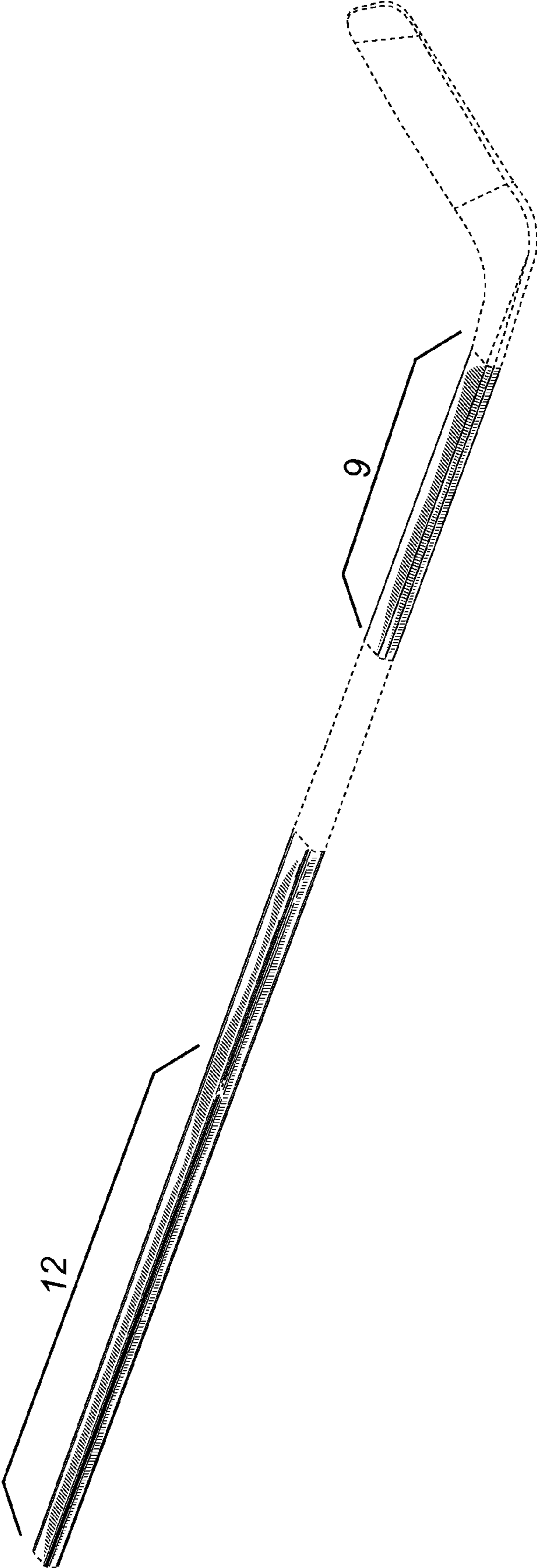


FIG. 1

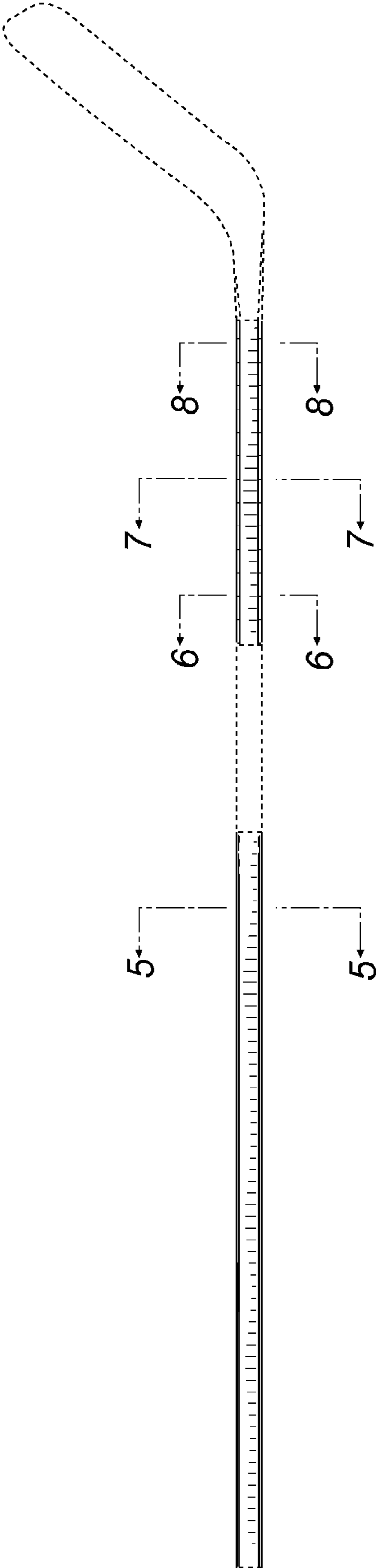


FIG. 2

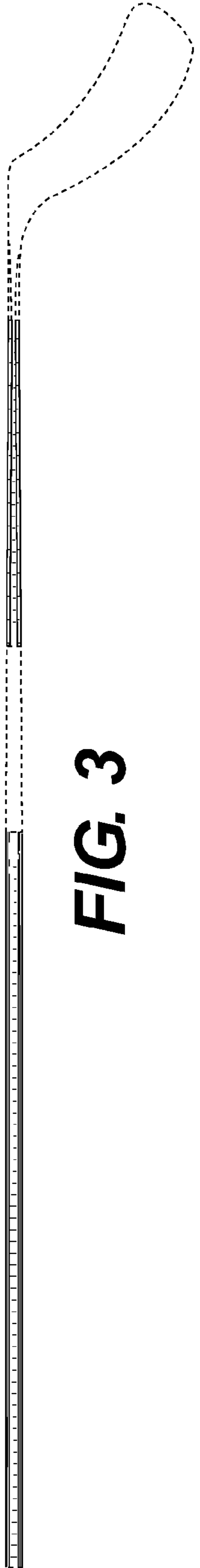


FIG. 3

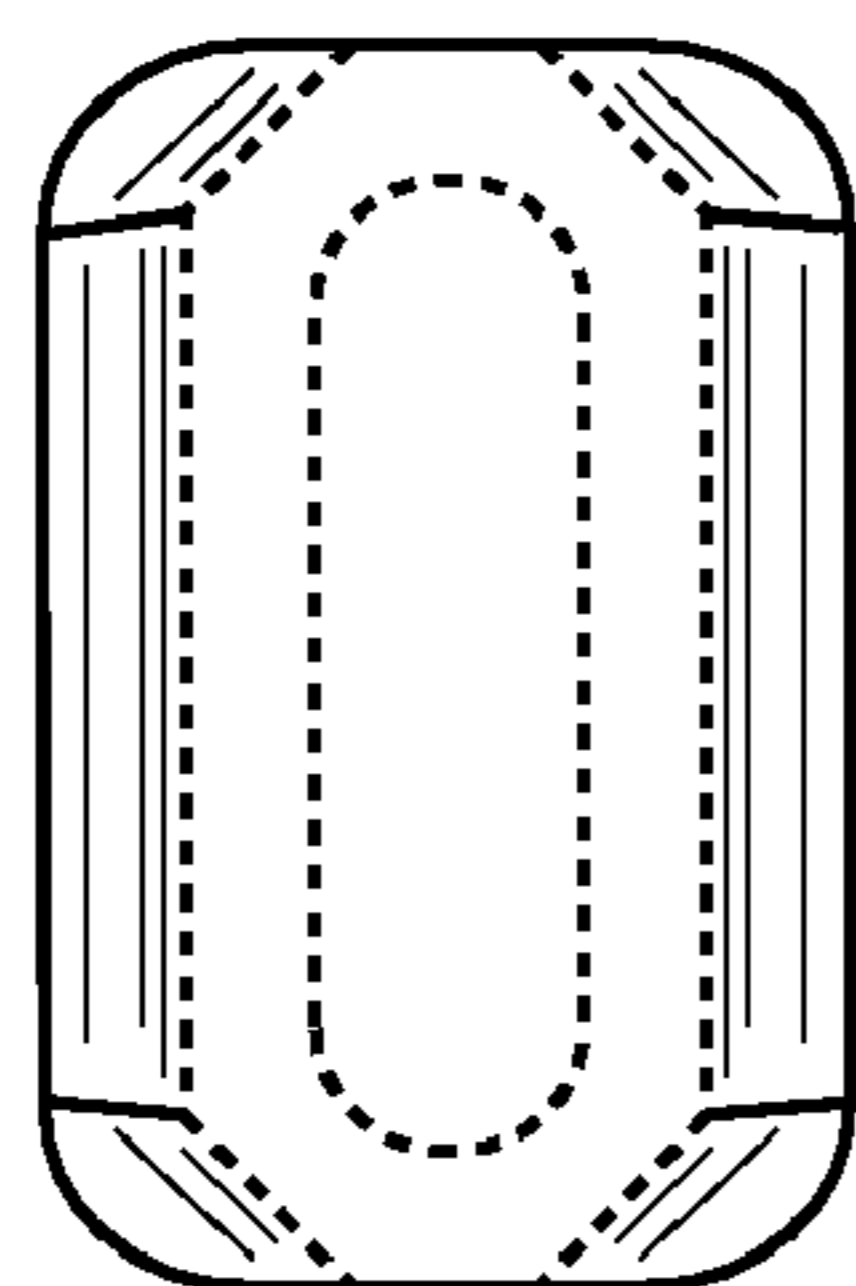


FIG. 4

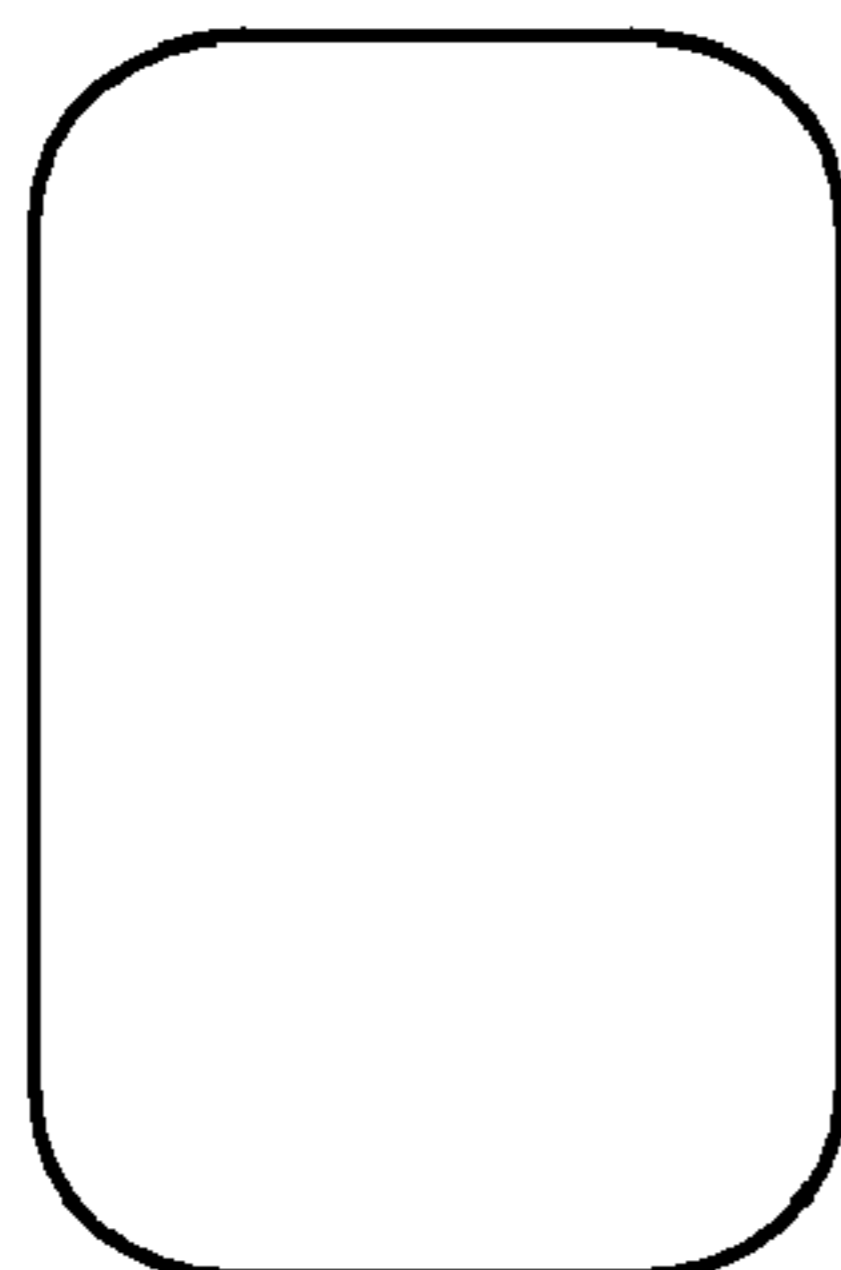


FIG. 5

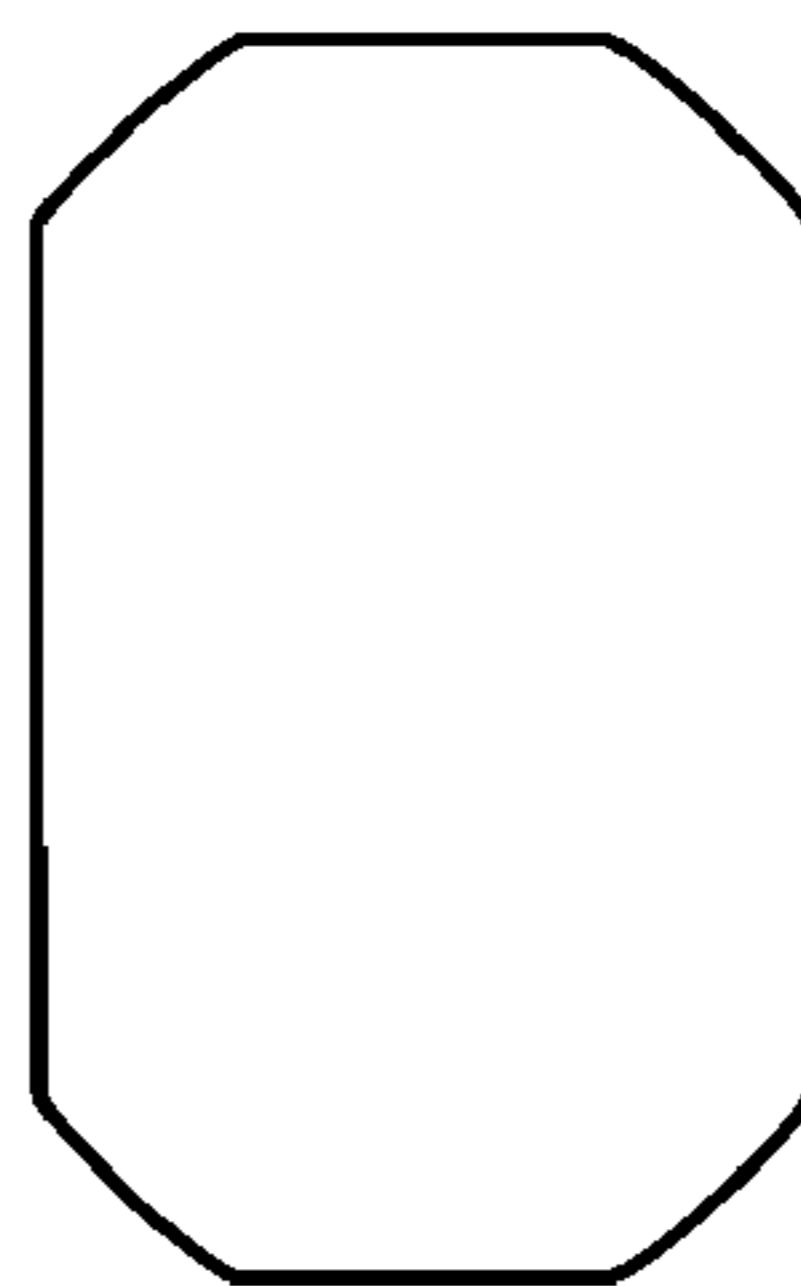


FIG. 6

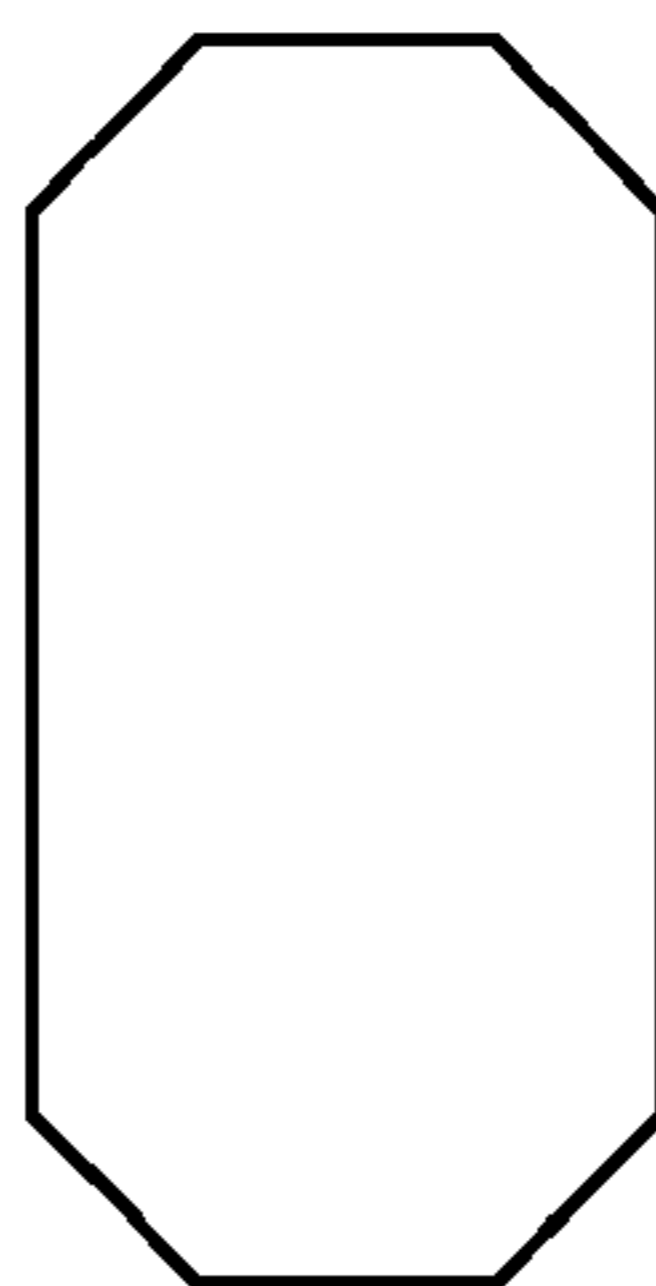


FIG. 7

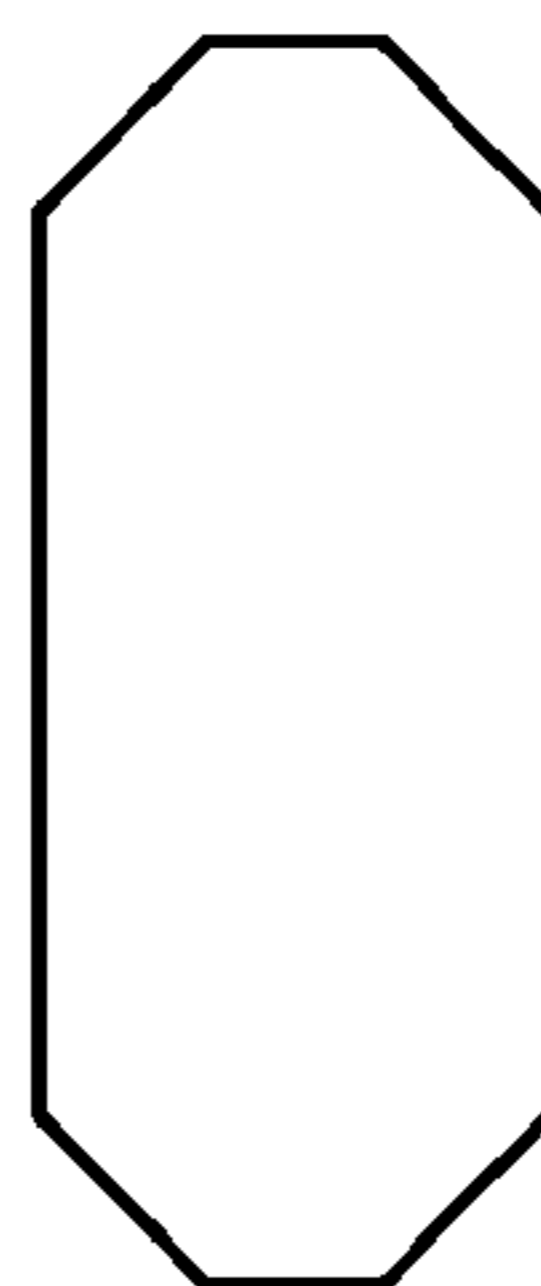


FIG. 8

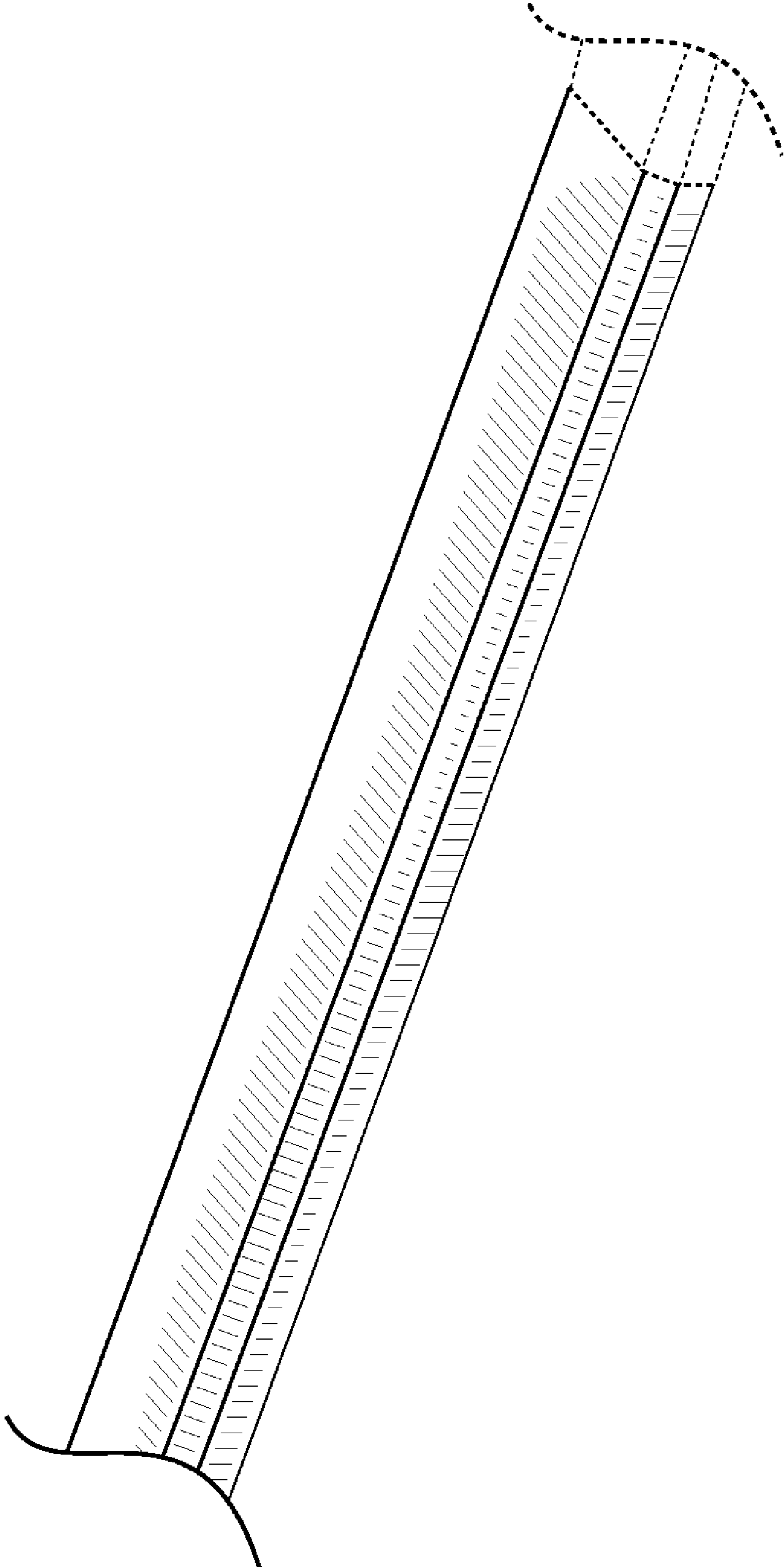


FIG. 9

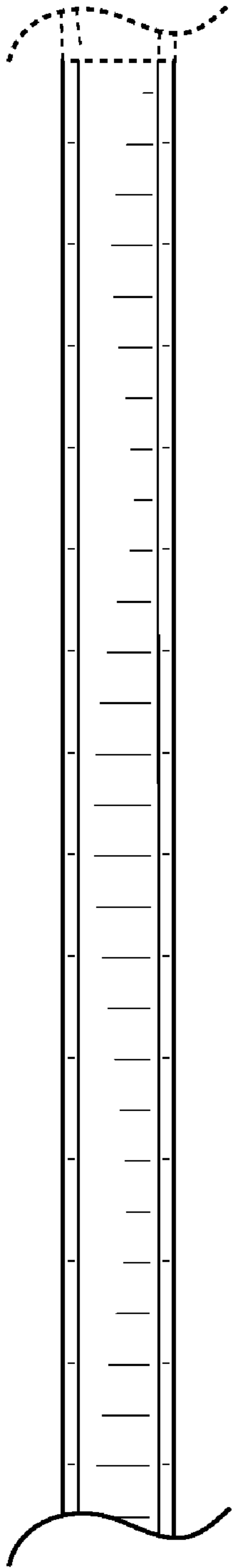


FIG. 10

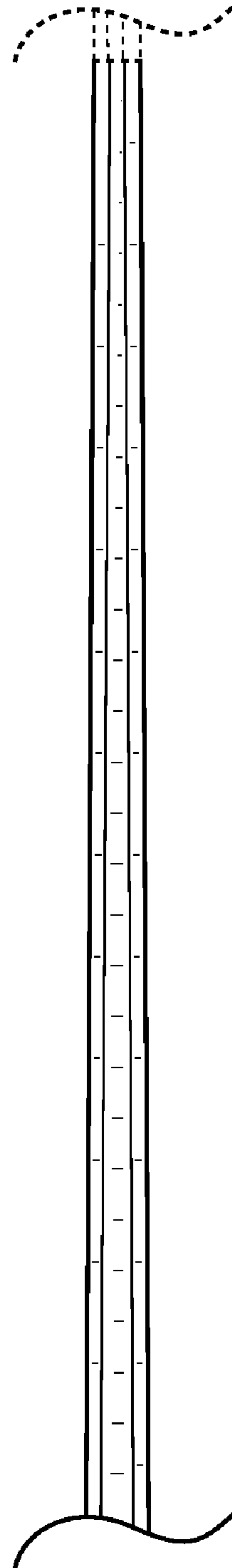


FIG. 11

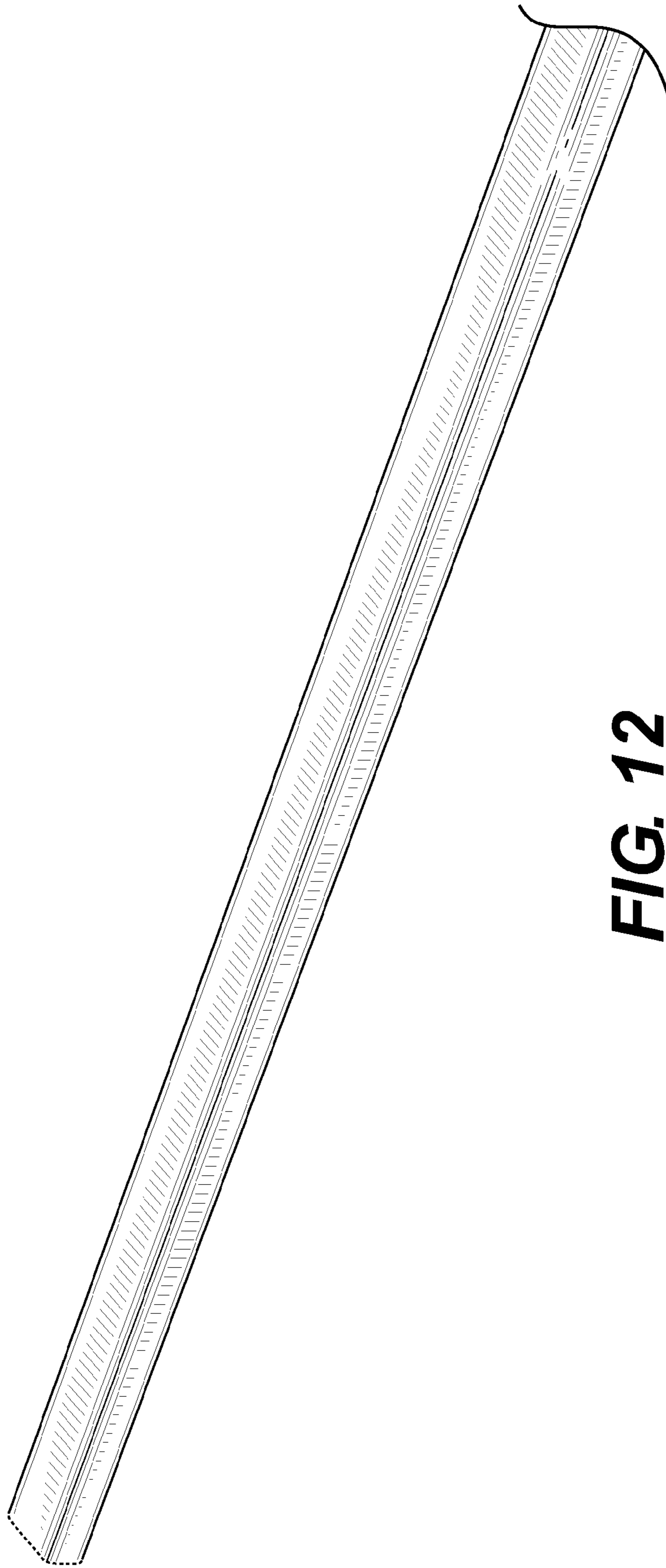


FIG. 12

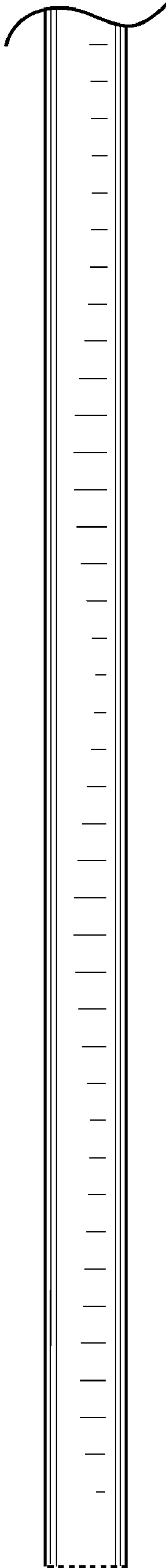


FIG. 13

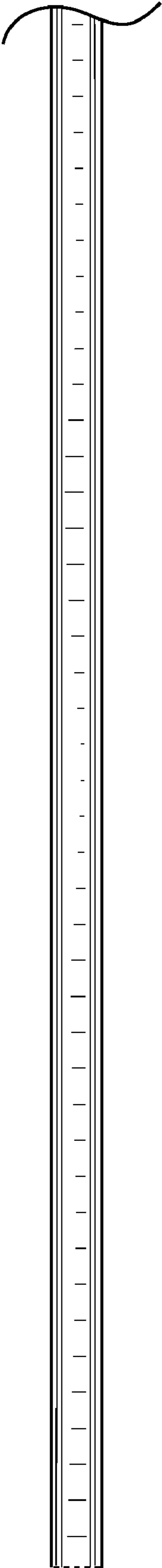


FIG. 14