

US00D595787S

(12) **United States Design Patent**  
**Palmer**

(10) **Patent No.:** **US D595,787 S**  
(45) **Date of Patent:** **\*\* Jul. 7, 2009**

(54) **PLAYING CARD HOLDER**

(76) Inventor: **Joseph Palmer**, 122 Acadian Dr.,  
Stockbridge, GA (US) 30281

(\*\*) Term: **14 Years**

(21) Appl. No.: **29/301,046**

(22) Filed: **Feb. 6, 2008**

**Related U.S. Application Data**

(63) Continuation-in-part of application No. 29/270,584,  
filed on Dec. 28, 2006, now Pat. No. Des. 566,784.

(51) **LOC (9) Cl.** ..... **21-01**

(52) **U.S. Cl.** ..... **D21/392**

(58) **Field of Classification Search** ..... D19/86,  
D19/91-92; D21/385, 392-395; 273/148 A,  
273/148 R, 150

See application file for complete search history.

(56) **References Cited**

**U.S. PATENT DOCUMENTS**

1,716,022 A	6/1929	Baker	
2,322,089 A	6/1943	Greitzer	
3,232,622 A	2/1966	Lambert	
D219,523 S	12/1970	Larrowe	
D220,349 S	3/1971	Holt	
3,658,342 A *	4/1972	Boren	273/148 A
D241,052 S	8/1976	Brown	
D257,159 S	9/1980	Hubbard et al.	
D279,801 S	7/1985	Brockenshire	
D288,826 S *	3/1987	Johansson	D19/91
D288,942 S *	3/1987	Salvatore	D21/392
5,029,797 A	7/1991	Levorchick et al.	
D356,822 S *	3/1995	Volk	D19/86
5,407,204 A	4/1995	Meyer, III	

D372,742 S *	8/1996	Kakudo	D21/392
D381,373 S	7/1997	Brown	
D385,310 S	10/1997	Heitmann	
D454,598 S *	3/2002	Prothro	D21/392
6,672,748 B2	1/2004	Baldwin	
D512,466 S	12/2005	White et al.	
D518,112 S	3/2006	Abbott et al.	
D521,570 S	5/2006	Tsai	
D529,100 S	9/2006	Fischer	
D539,843 S	4/2007	Baker et al.	
2003/0067115 A1	4/2003	Nordgren et al.	
2005/0093241 A1	5/2005	Lipscomb et al.	
2006/0098425 A1	5/2006	Waterhouse	
2006/0163808 A1	7/2006	Belill	

\* cited by examiner

*Primary Examiner*—Sandra Morris

(74) *Attorney, Agent, or Firm*—Kaplan Ward & Patel, LLC;  
Russell Sandidge, Esq.

(57) **CLAIM**

The ornamental design for a playing card holder, as shown  
and described.

**DESCRIPTION**

FIG. 1 is a perspective view of a playing card holder, showing  
my new design;

FIG. 2 is a top view thereof;

FIG. 3 is a front view thereof;

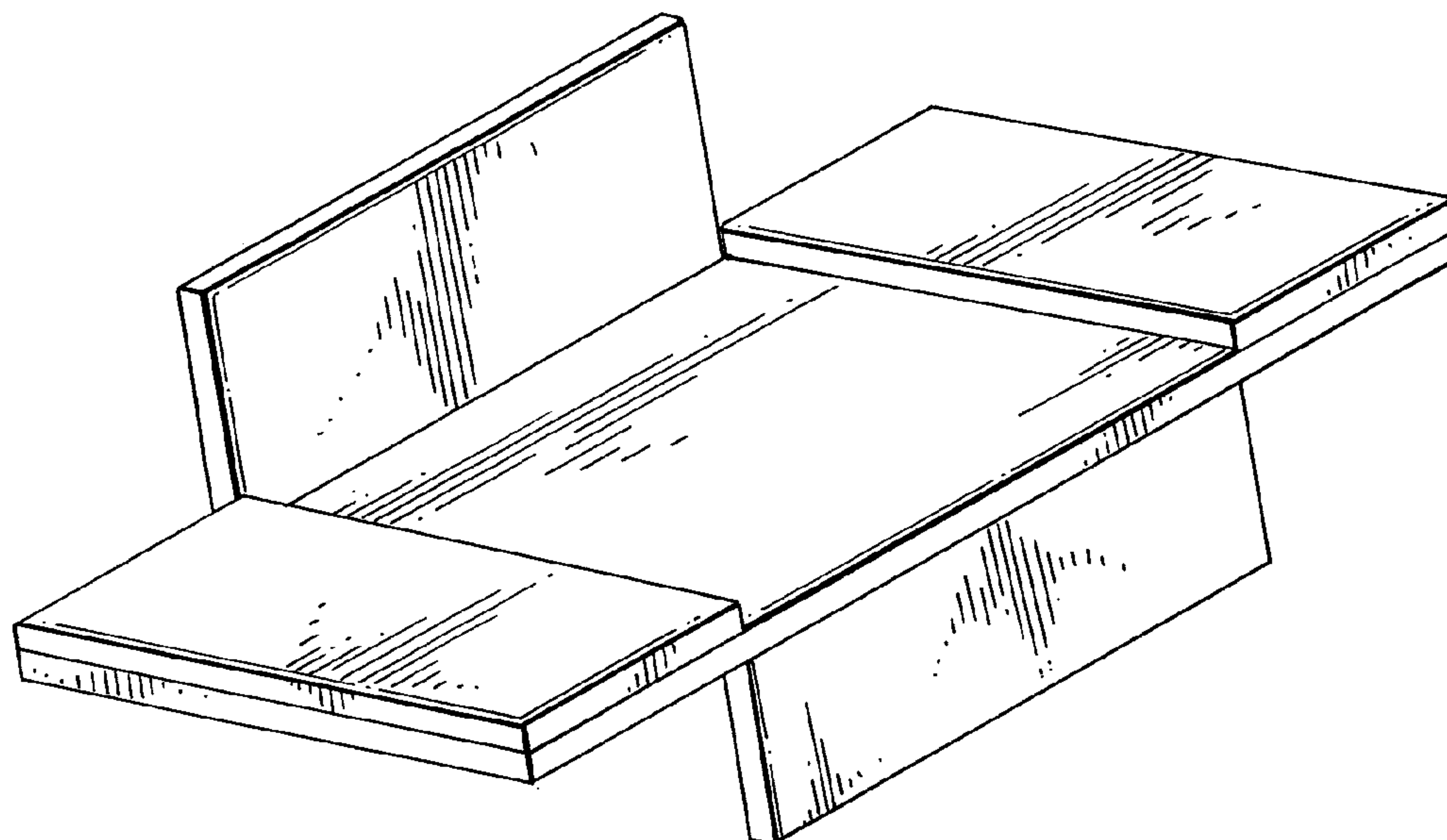
FIG. 4 is a right side view thereof;

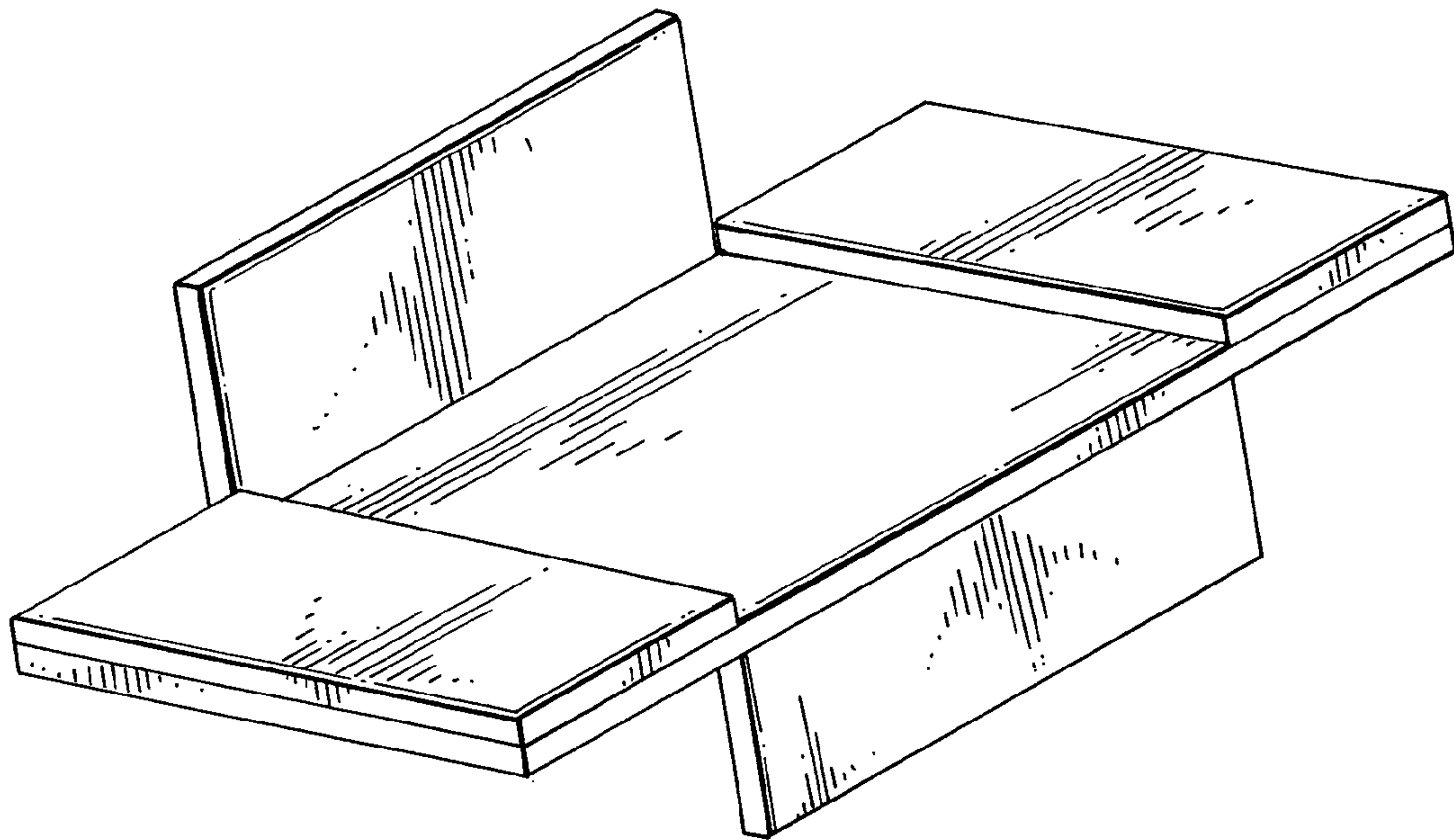
FIG. 5 is a bottom view thereof;

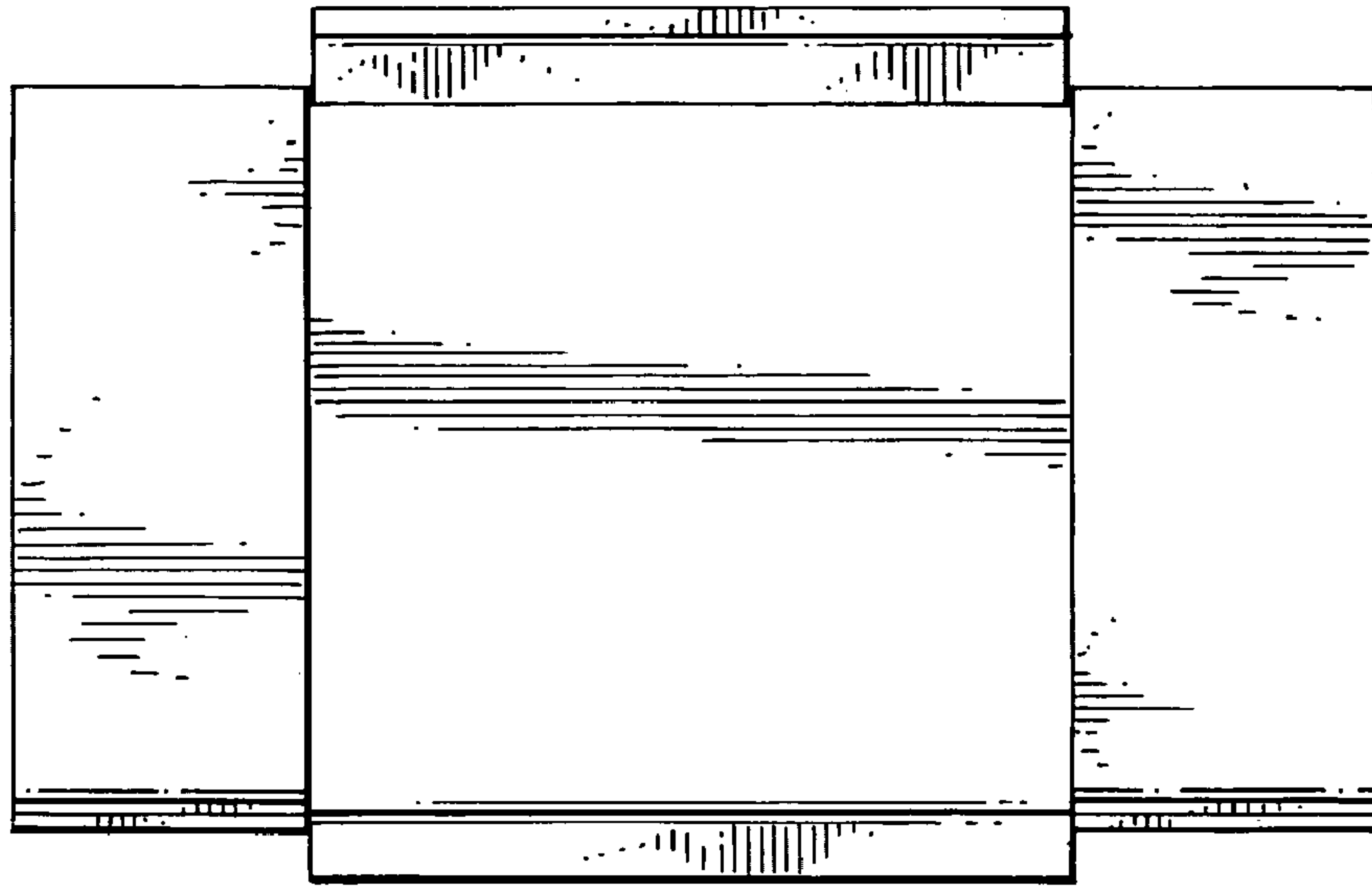
FIG. 6 is a rear view thereof; and,

FIG. 7 is a left side view thereof.

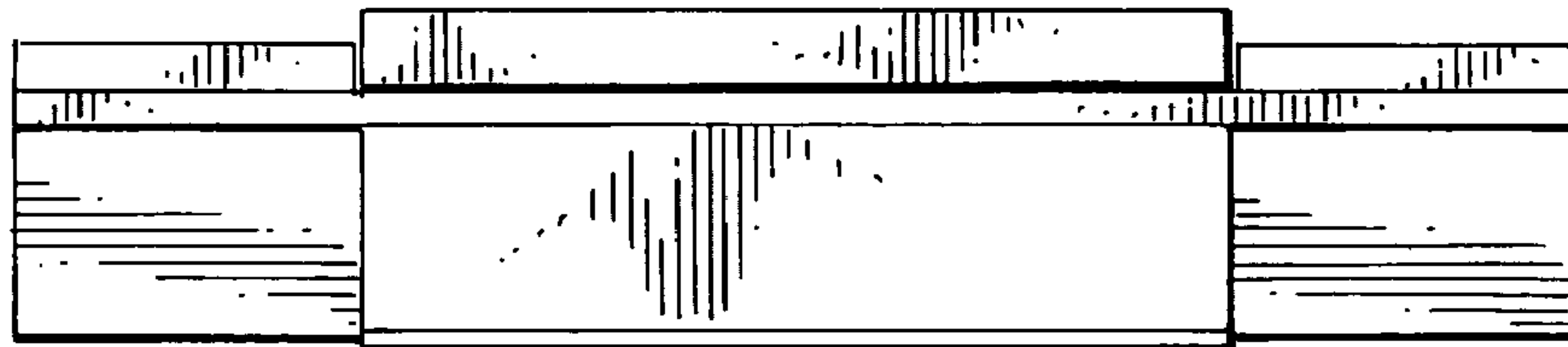
**1 Claim, 3 Drawing Sheets**





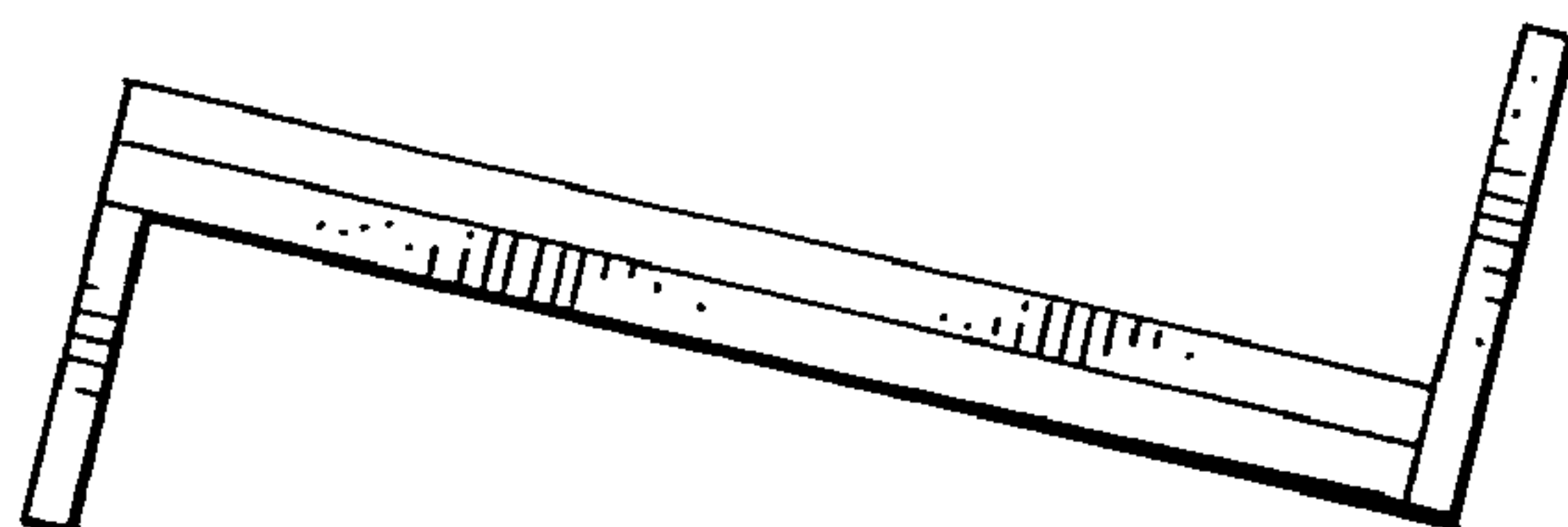


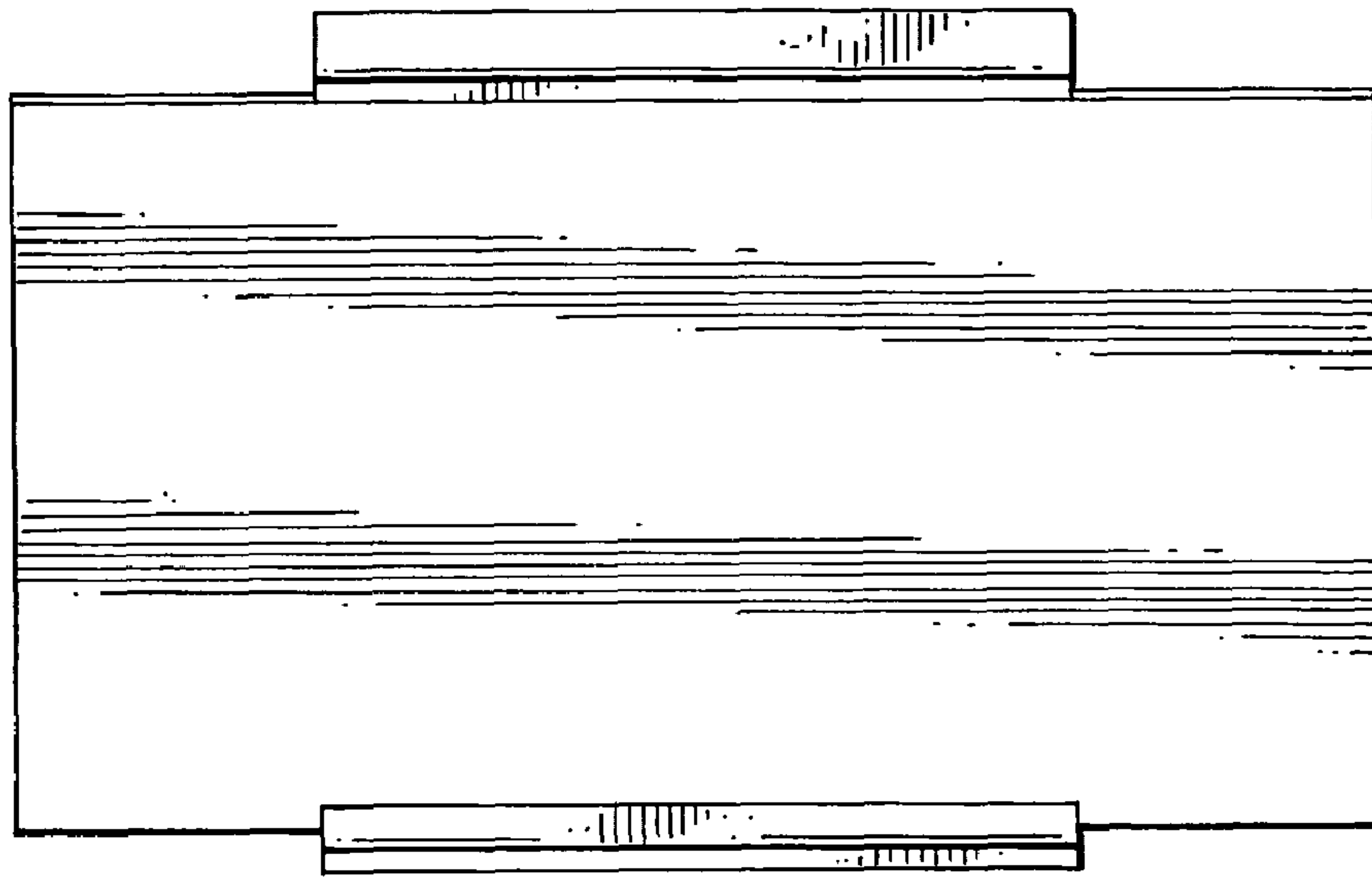
*Fig. 2*



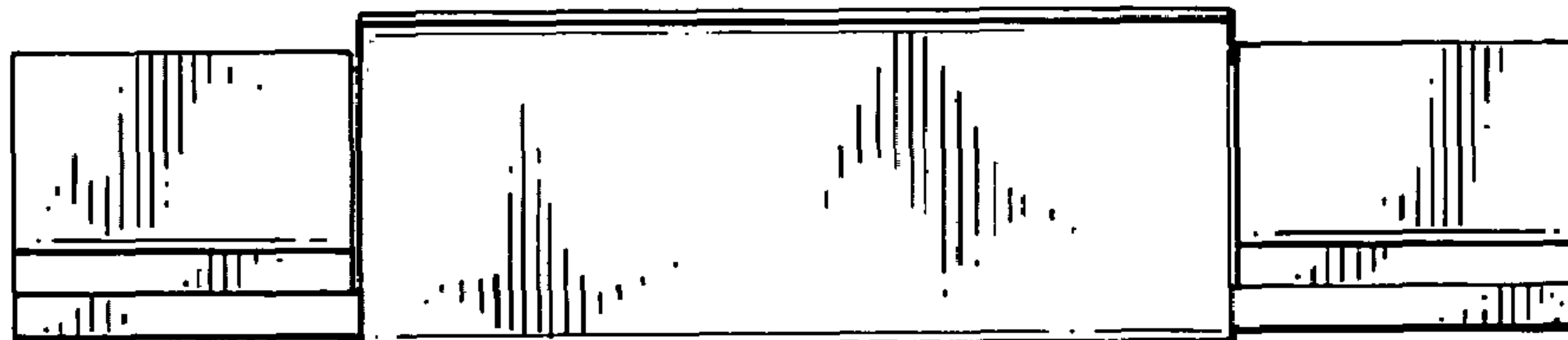
*Fig. 3*

*Fig. 4*





**Fig. 5**



**Fig. 6**

**Fig. 7**

