



US00D595785S

(12) **United States Design Patent**
Wells et al.

(10) **Patent No.:** **US D595,785 S**
(45) **Date of Patent:** **** Jul. 7, 2009**

(54) **STANDALONE, MULTI-PLAYER GAMING TABLE APPARATUS WITH AN ELECTRONIC DISPLAY**

(75) Inventors: **William R. Wells**, Reno, NV (US); **Daniel J. Waller**, Reno, NV (US); **Tai Rosander**, Reno, NV (US); **James W. Stockdale**, Clio, CA (US); **Harold E. Mattice**, Gardnerville, NV (US); **Joseph Randy Hedrick**, Reno, NV (US); **Charles Curbbun**, Encinitas, CA (US); **Scott Clear**, Escondido, CA (US); **Andrew Zoolakis**, La Costa, CA (US); **Julian Groeli**, San Diego, CA (US)

(73) Assignee: **IGT**, Reno, NV (US)

(**) Term: **14 Years**

(21) Appl. No.: **29/297,429**

(22) Filed: **Nov. 9, 2007**

(51) **LOC (9) Cl.** **21-03**

(52) **U.S. Cl.** **D21/370; D21/397**

(58) **Field of Classification Search** D14/306; D21/324-325, 329, 331, 333, 369-370, 385, D21/397; 463/12, 16-17, 20, 25, 29, 40, 463/46-47; D6/482, 511

See application file for complete search history.

(56) **References Cited**

U.S. PATENT DOCUMENTS

| | | | | |
|-----------|-----|---------|-----------------|---------------|
| 5,613,912 | A | 3/1997 | Slater | |
| 5,651,548 | A | 7/1997 | French et al. | |
| 5,735,742 | A | 4/1998 | French | |
| 5,781,647 | A | 7/1998 | Fishbine et al. | |
| 5,957,776 | A | 9/1999 | Hoehne | |
| 6,165,069 | A | 12/2000 | Sines et al. | |
| D436,634 | S * | 1/2001 | Cooper-Hart | D21/333 |
| 6,179,291 | B1 | 1/2001 | Vancura | |
| 6,270,404 | B2 | 8/2001 | Sines et al. | |
| 6,299,534 | B1 | 10/2001 | Breeding et al. | |
| 6,313,871 | B1 | 11/2001 | Schubert | |

| | | | | |
|-----------|-----|---------|---------------|---------------|
| 6,532,297 | B1 | 3/2003 | Lindquist | |
| 6,582,301 | B2 | 6/2003 | Hill | |
| 6,628,939 | B2 | 9/2003 | Paulsen | |
| 6,651,985 | B2 | 11/2003 | Sines et al. | |
| 6,663,490 | B2 | 12/2003 | Soltys et al. | |
| D486,190 | S * | 2/2004 | Winter et al. | D21/397 |
| 6,722,974 | B2 | 4/2004 | Sines et al. | |
| D491,233 | S * | 6/2004 | Winter et al. | D21/397 |
| 6,745,887 | B2 | 6/2004 | Heidel et al. | |
| 6,848,994 | B1 | 2/2005 | Knust et al. | |
| 6,863,608 | B1 | 3/2005 | LeMay et al. | |

(Continued)

OTHER PUBLICATIONS

U.S. Appl. No. 11/517,861, filed Sep. 7, 2006.
U.S. Appl. No. 11/224,903, filed Sep. 12, 2005.

Primary Examiner—Sandra Morris

(74) *Attorney, Agent, or Firm*—Weaver Austin Villeneuve & Sampson LLP

(57) **CLAIM**

We claim the ornamental design for a standalone, multi-player gaming table apparatus with an electronic display, as shown and described.

DESCRIPTION

FIG. 1 is a top perspective view of a standalone, multi-player gaming table apparatus with an electronic display showing our new design;

FIG. 2 is a top plan view thereof;

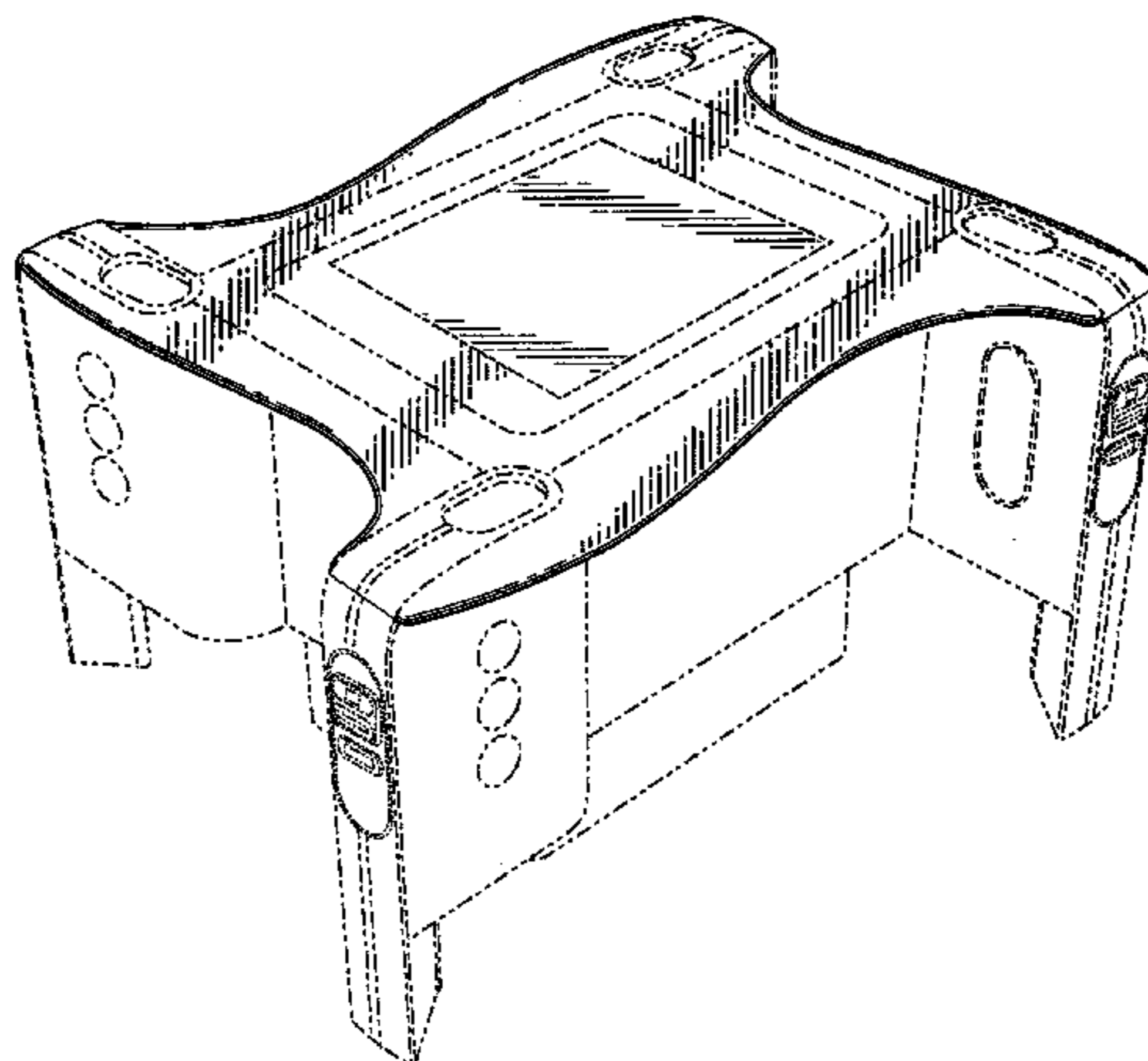
FIG. 3 is a right side elevation view thereof, the left side elevation view being an identical image thereof;

FIG. 4 is a front elevation view thereof, the rear elevation view being an identical image thereof; and,

FIG. 5 is a bottom plan view thereof.

The phantom lines are for illustrative purpose only and form no part of the claimed design.

1 Claim, 5 Drawing Sheets



US D595,785 S

Page 2

U.S. PATENT DOCUMENTS

| | | | | | |
|-----------------|---------|----------------|-----------------|--------|----------------------|
| D512,466 S | 12/2005 | White et al. | 2006/0036944 A1 | 2/2006 | Wilson |
| 7,018,291 B1 | 3/2006 | Lemke et al. | 2006/0058084 A1 | 3/2006 | Crawford, III et al. |
| 2002/0068635 A1 | 6/2002 | Hill | 2006/0066564 A1 | 3/2006 | Yee et al. |
| 2002/0169021 A1 | 11/2002 | Urie et al. | 2006/0092170 A1 | 5/2006 | Bathiche et al. |
| 2005/0026680 A1 | 2/2005 | Gururajan | 2007/0015574 A1 | 1/2007 | Vale et al. |
| 2005/0137005 A1 | 6/2005 | Soltys et al. | 2007/0188444 A1 | 8/2007 | Vale et al. |
| 2005/0248729 A1 | 11/2005 | Drucker et al. | 2007/0201863 A1 | 8/2007 | Wilson et al. |
| | | | 2007/0211921 A1 | 9/2007 | Popp et al. |

* cited by examiner

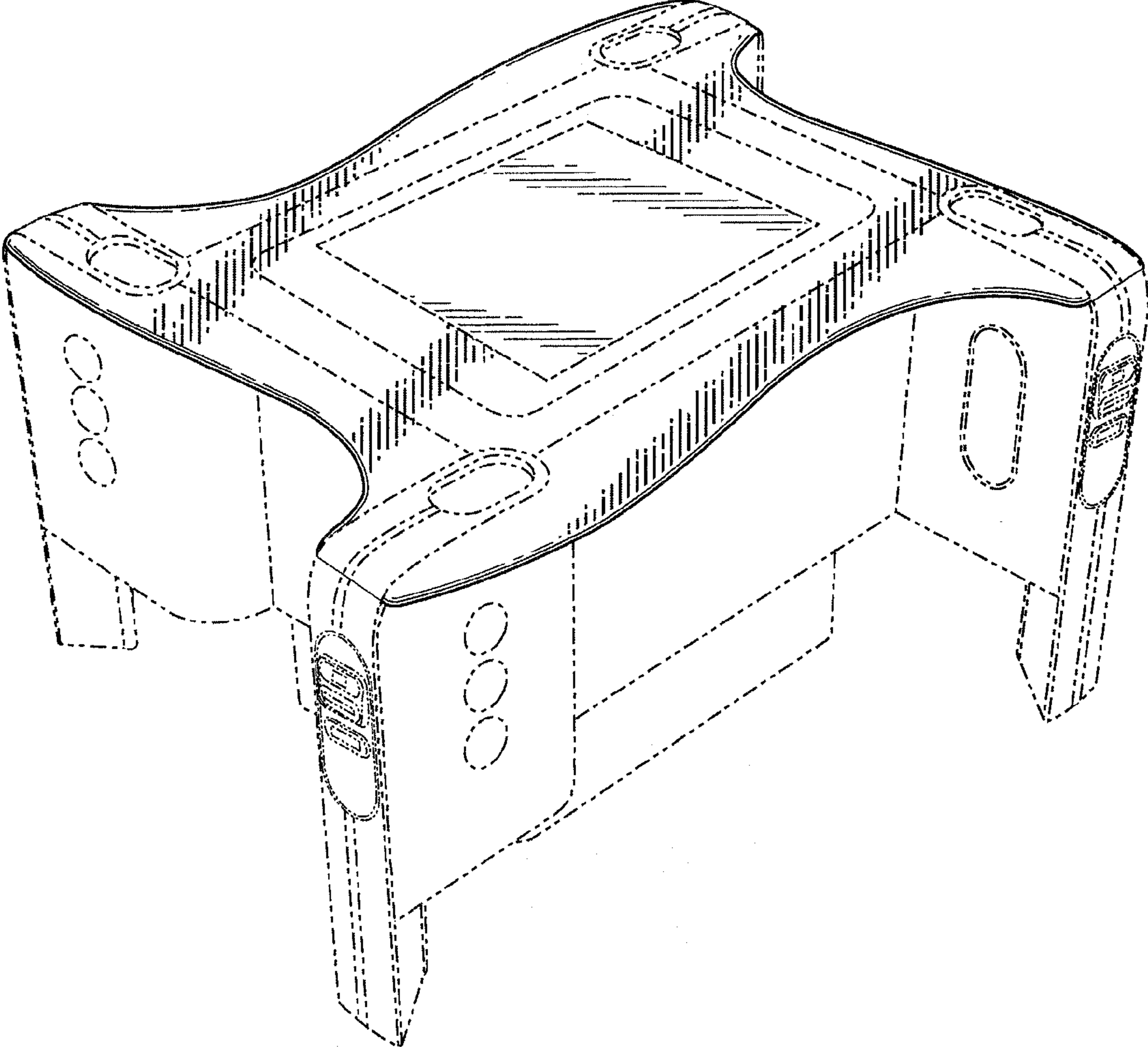


FIG. 1

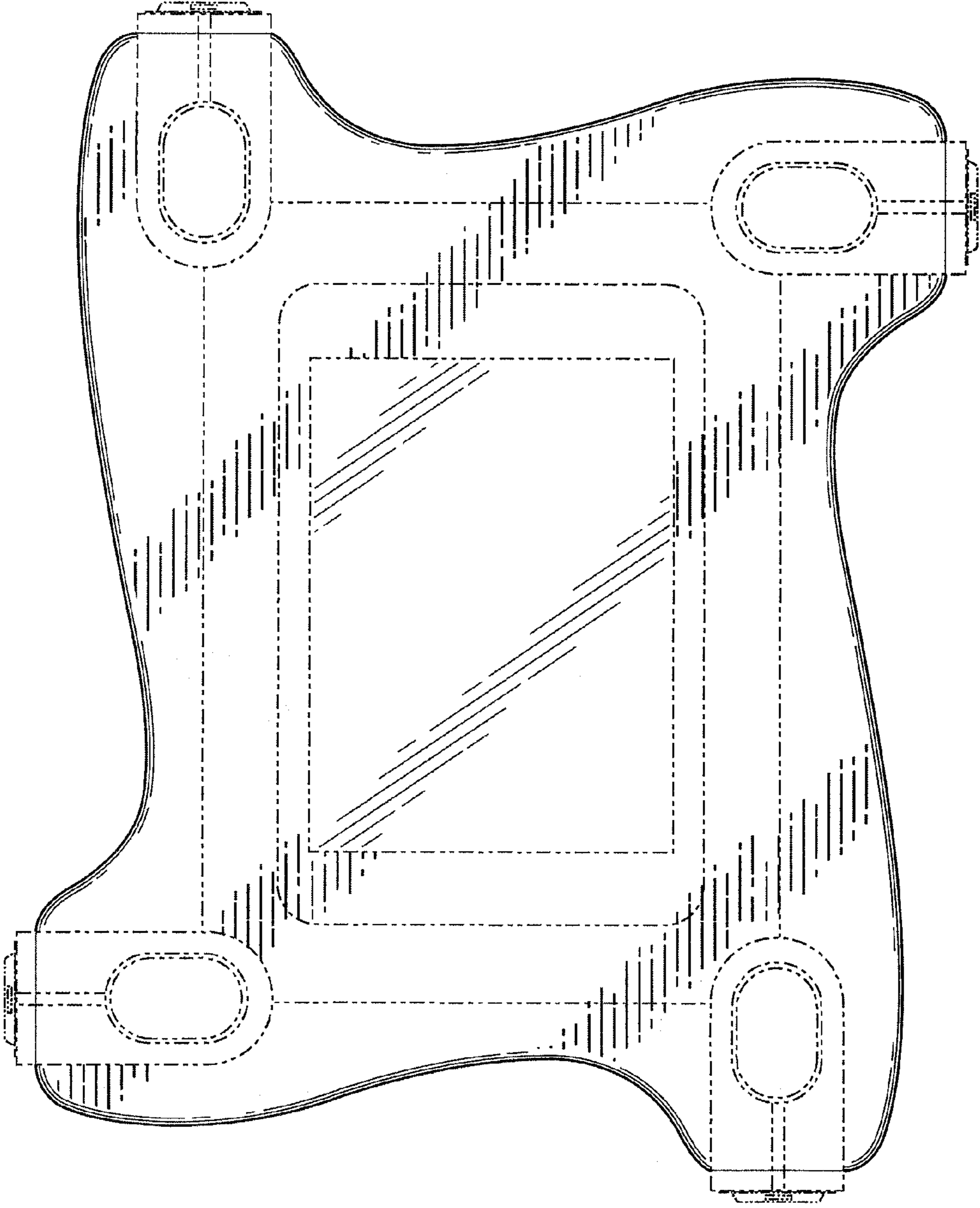


FIG. 2

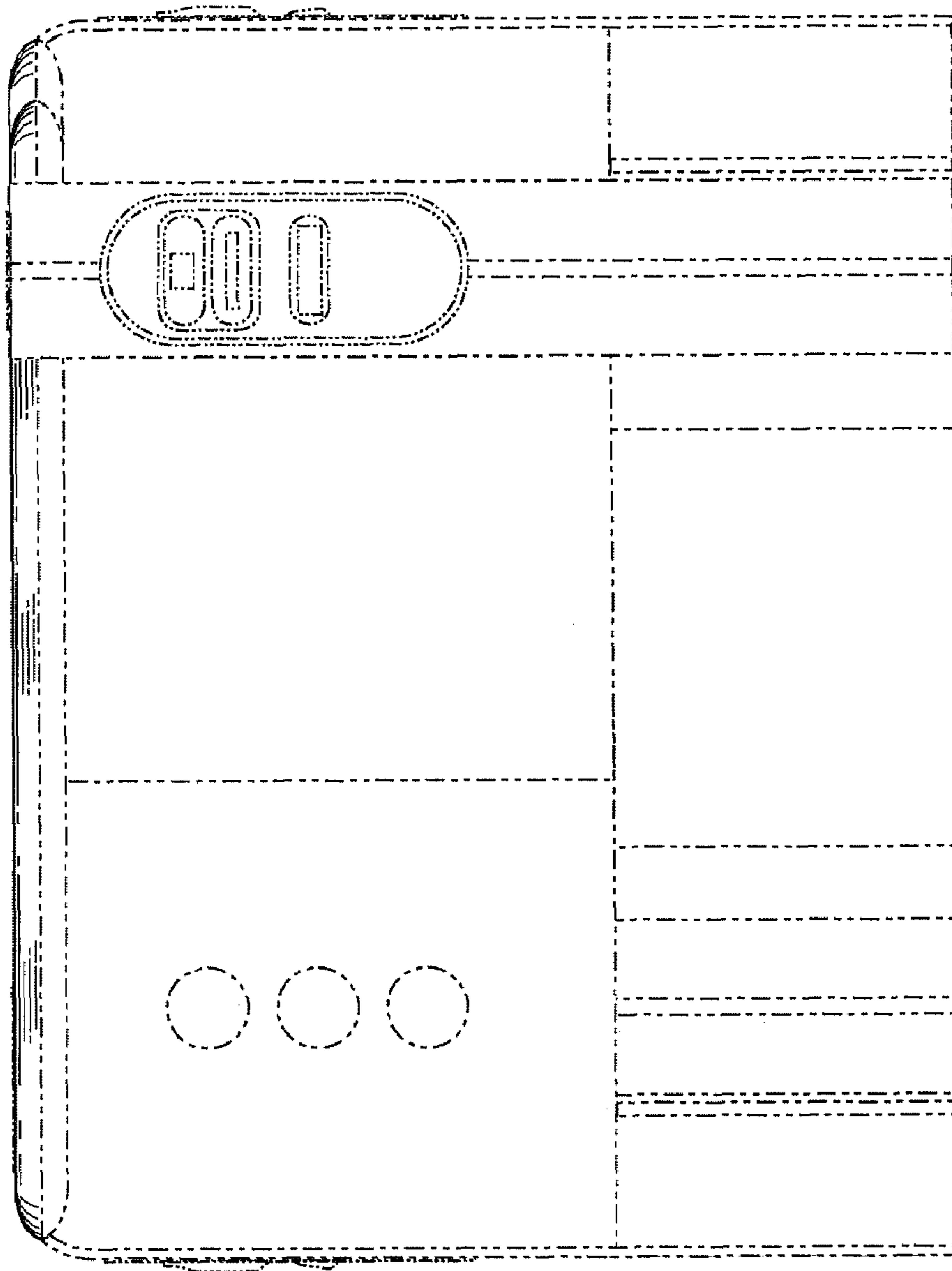


FIG. 3

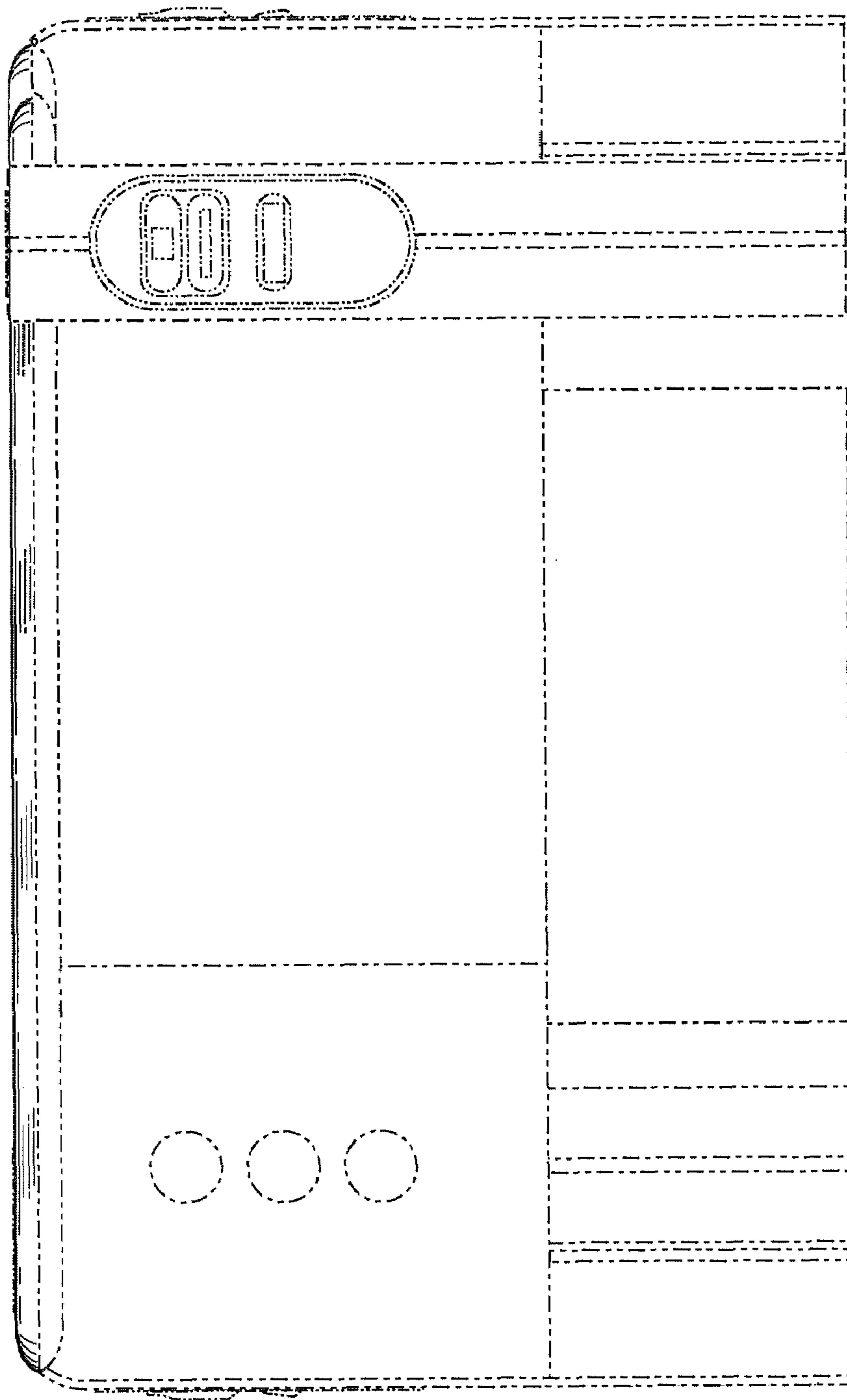


FIG. 4

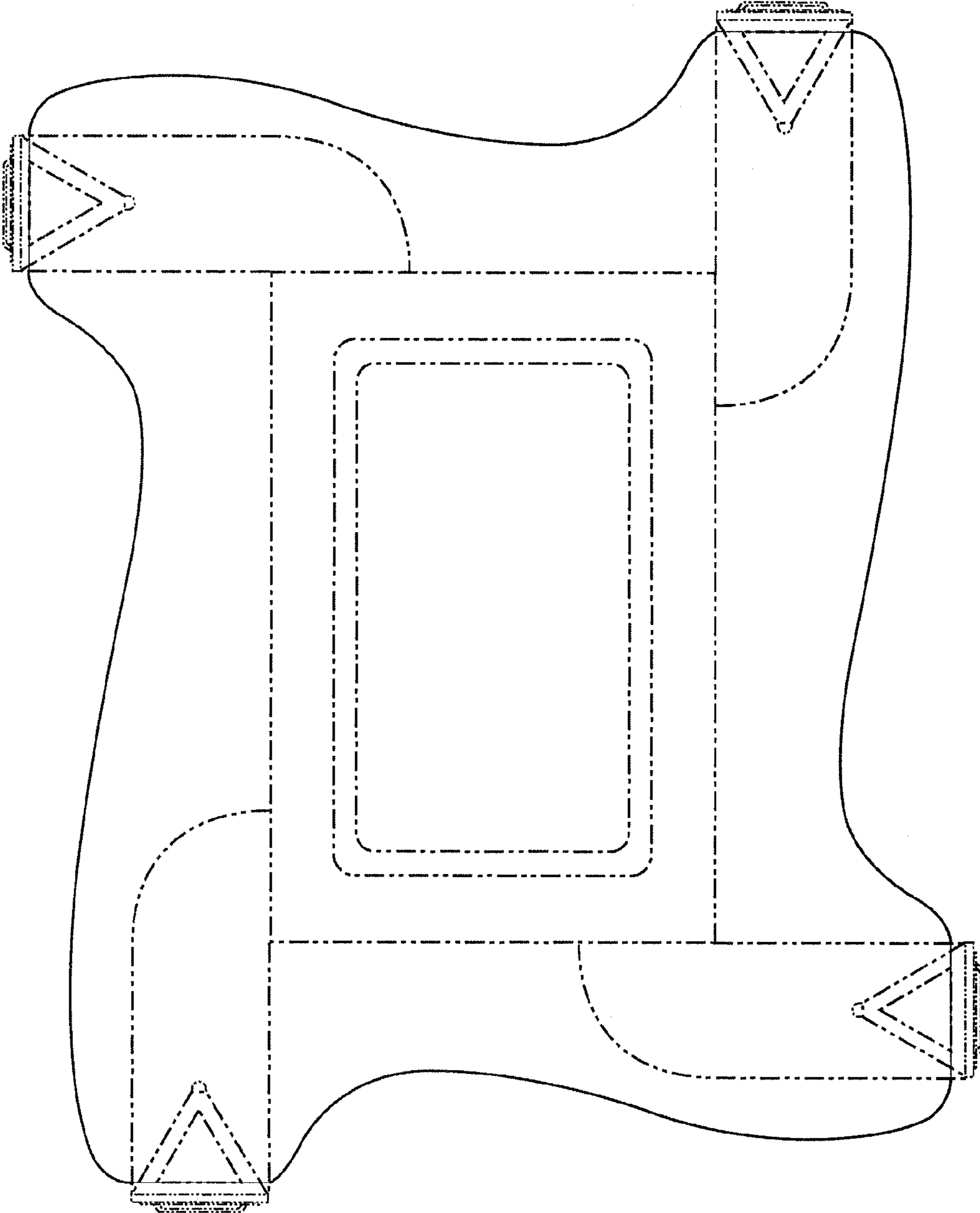


FIG. 5