



US00D595784S

(12) **United States Design Patent**
Wells et al.

(10) **Patent No.:** **US D595,784 S**
(45) **Date of Patent:** **** Jul. 7, 2009**

(54) **STANDALONE, MULTI-PLAYER GAMING TABLE APPARATUS WITH AN ELECTRONIC DISPLAY**

(75) Inventors: **William R. Wells**, Reno, NV (US); **Daniel J. Waller**, Reno, NV (US); **Tai Rosander**, Reno, NV (US); **James W. Stockdale**, Clio, CA (US); **Harold E. Mattice**, Gardnerville, NV (US); **Joseph Randy Hedrick**, Reno, NV (US); **Charles Curbun**, Encinitas, CA (US); **Scott Clear**, Escondido, CA (US); **Andrew Zoolakis**, La Costa, CA (US); **Julian Groeli**, San Diego, CA (US)

6,313,871 B1 11/2001 Schubert
6,532,297 B1 3/2003 Lindquist
6,582,301 B2 6/2003 Hill
6,628,939 B2 9/2003 Paulsen
6,651,985 B2 11/2003 Sines et al.
6,663,490 B2 12/2003 Soltys et al.
6,722,974 B2 4/2004 Sines et al.
6,745,887 B2 6/2004 Heidel et al.
6,848,994 B1 2/2005 Knust et al.
6,863,608 B1 3/2005 LeMay et al.
D512,466 S 12/2005 White et al.
7,018,291 B1 3/2006 Lemke et al.

(Continued)

OTHER PUBLICATIONS

U.S. Appl. No. 11/517,861, filed Sep. 7, 2006.
U.S. Appl. No. 11/224,903, filed Sep. 12, 2005.

Primary Examiner—Sandra Morris

(74) *Attorney, Agent, or Firm*—Weaver Austin Villeneuve & Sampson LLP

(73) Assignee: **IGT**, Reno, NV (US)

(**) Term: **14 Years**

(21) Appl. No.: **29/297,425**

(22) Filed: **Nov. 9, 2007**

(51) **LOC (9) Cl.** **21-03**

(52) **U.S. Cl.** **D21/370; D21/397**

(58) **Field of Classification Search** D14/306;
D21/324–325, 329, 331, 333, 369–370, 385,
D21/397; 463/12, 16–17, 20, 25, 29, 40,
463/46–47; D6/482

See application file for complete search history.

(56) **References Cited**

U.S. PATENT DOCUMENTS

5,613,912 A 3/1997 Slater
5,651,548 A 7/1997 French et al.
5,735,742 A 4/1998 French
5,781,647 A 7/1998 Fishbine et al.
5,957,776 A 9/1999 Hoehne
6,165,069 A 12/2000 Sines et al.
D436,634 S * 1/2001 Cooper-Hart D21/333
6,179,291 B1 1/2001 Vancura
6,270,404 B2 8/2001 Sines et al.
6,299,534 B1 10/2001 Breeding et al.

(57) **CLAIM**

We claim the ornamental design for a standalone, multi-player gaming table apparatus with an electronic display, as shown and described.

DESCRIPTION

FIG. 1 is a top perspective view of a standalone, multi-player gaming table apparatus with an electronic display showing our new design;

FIG. 2 is a top plan view thereof;

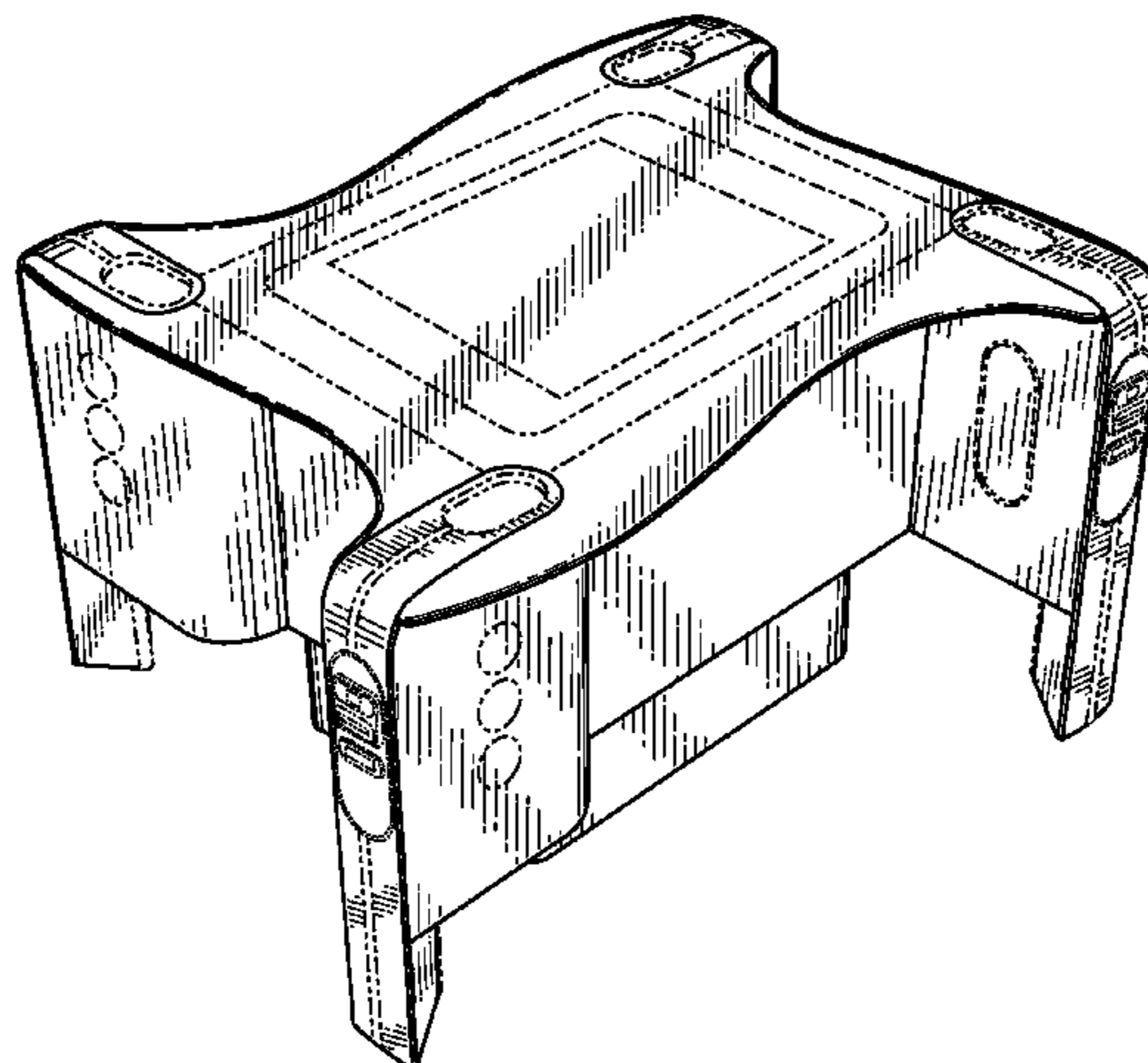
FIG. 3 is a right side elevation view thereof, the left side elevation view being an identical image thereof;

FIG. 4 is a front elevation view thereof, the rear elevation view being an identical image thereof; and,

FIG. 5 is a bottom plan view thereof.

The phantom lines are for illustrative purpose only and form no part of the claimed design.

1 Claim, 5 Drawing Sheets



US D595,784 S

Page 2

U.S. PATENT DOCUMENTS

2002/0068635	A1	6/2002	Hill	2006/0066564	A1	3/2006	Yee et al.
2002/0169021	A1	11/2002	Urie et al.	2006/0092170	A1	5/2006	Bathiche et al.
2005/0026680	A1	2/2005	Gururajan	2007/0015574	A1	1/2007	Vale et al.
2005/0137005	A1	6/2005	Soltys et al.	2007/0188444	A1	8/2007	Vale et al.
2005/0248729	A1	11/2005	Drucker et al.	2007/0201863	A1	8/2007	Wilson et al.
2006/0036944	A1	2/2006	Wilson	2007/0211921	A1	9/2007	Popp et al.
2006/0058084	A1	3/2006	Crawford, III et al.				

* cited by examiner

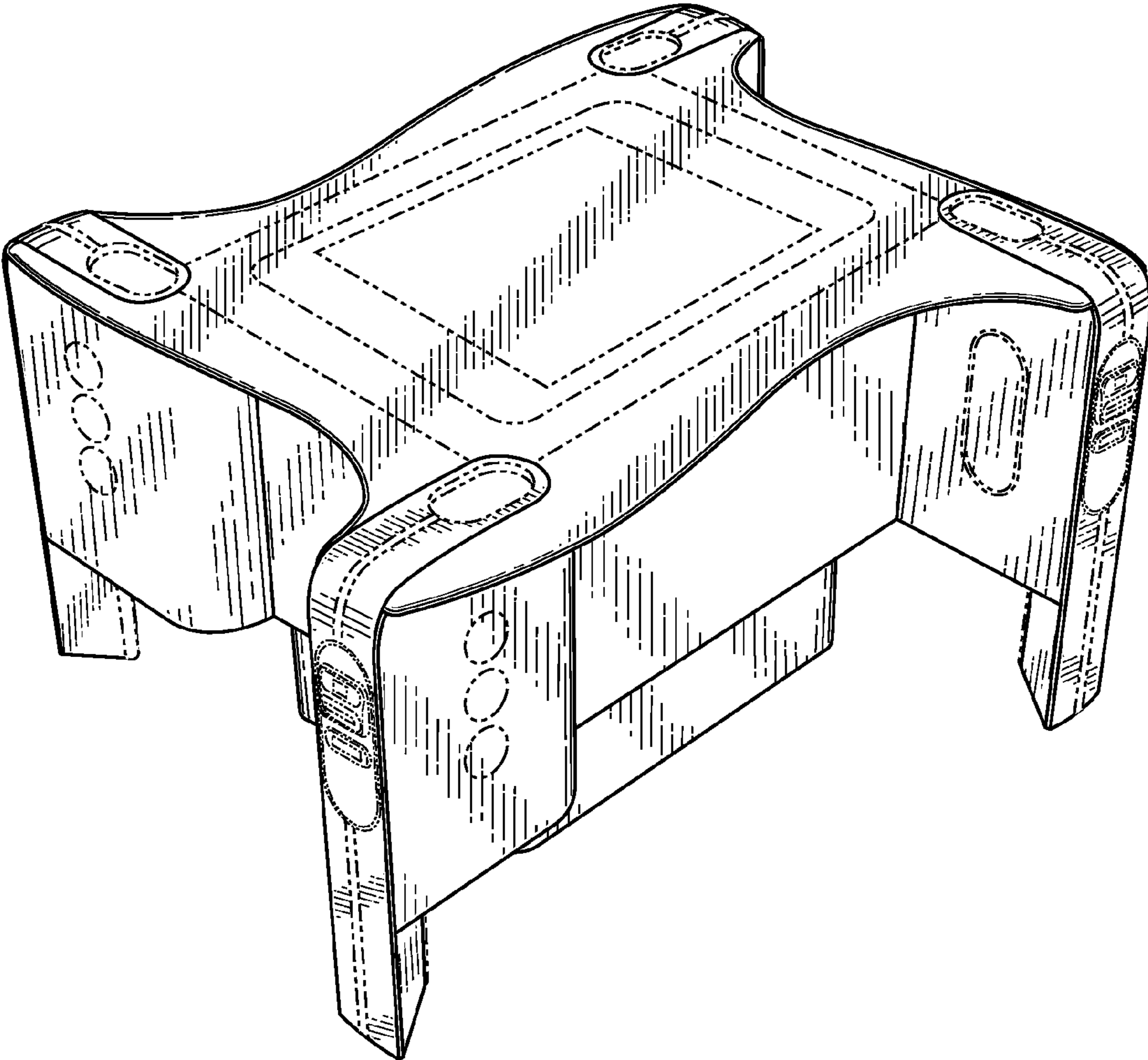


FIG. 1

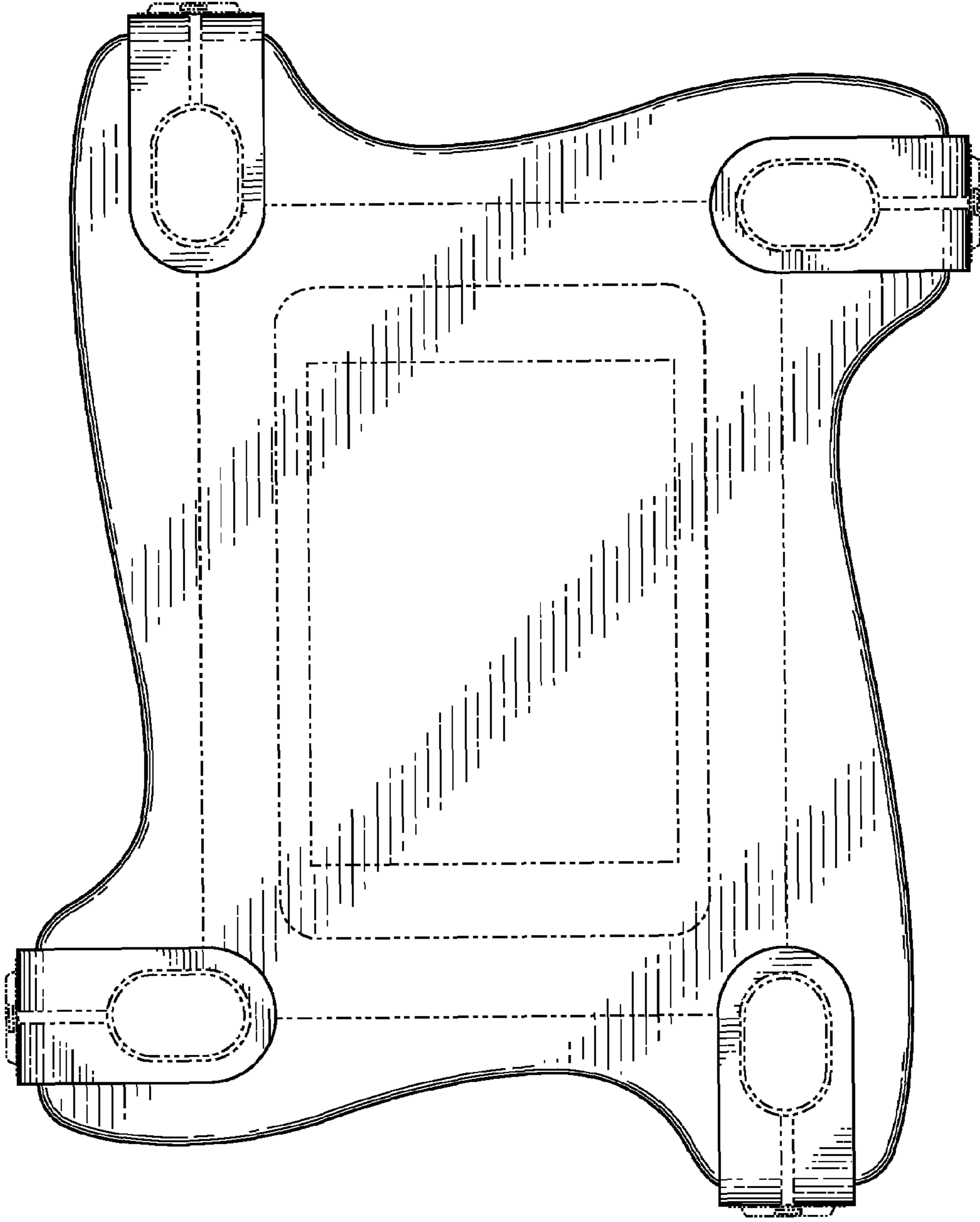


FIG. 2

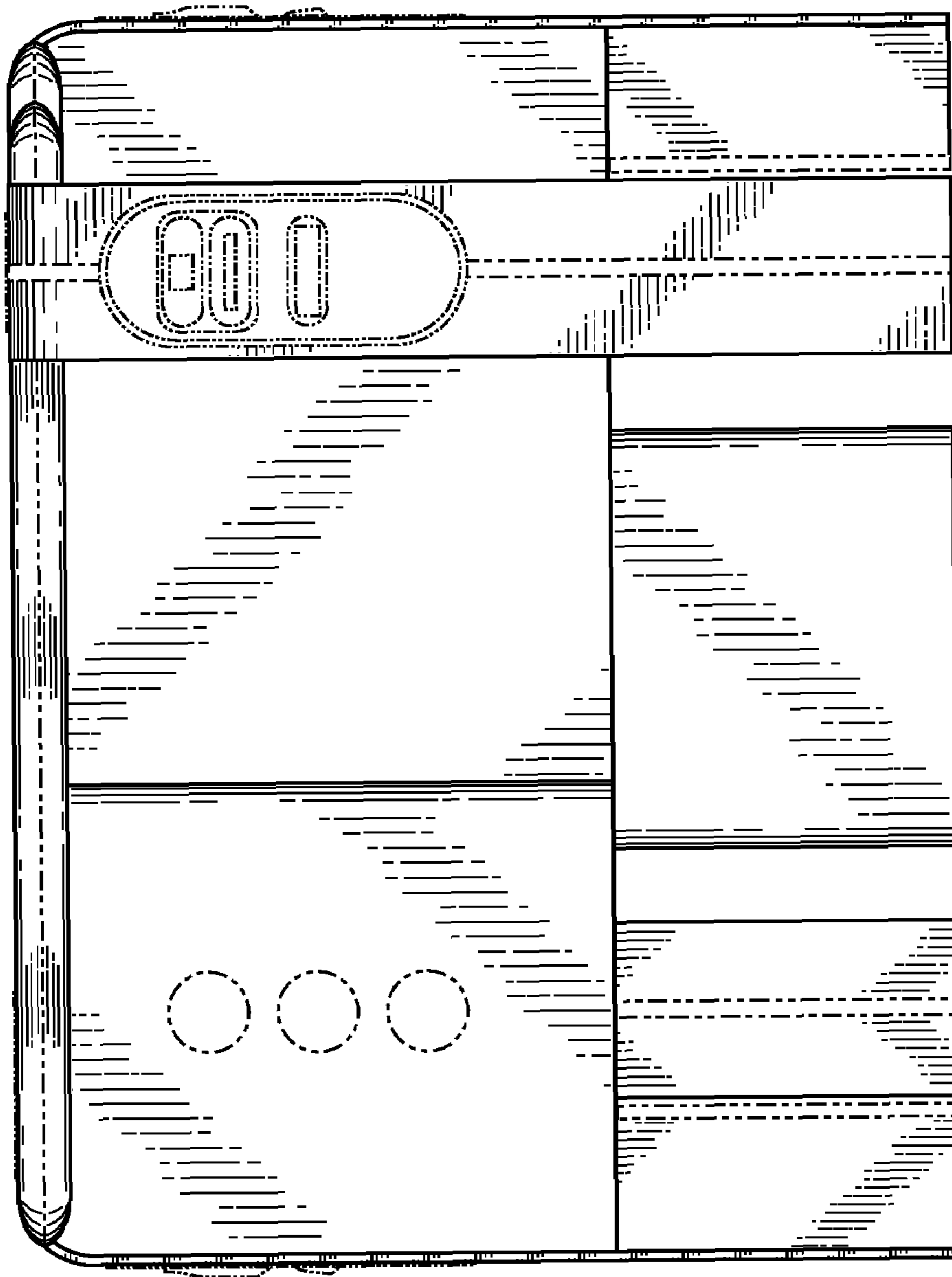


FIG. 3

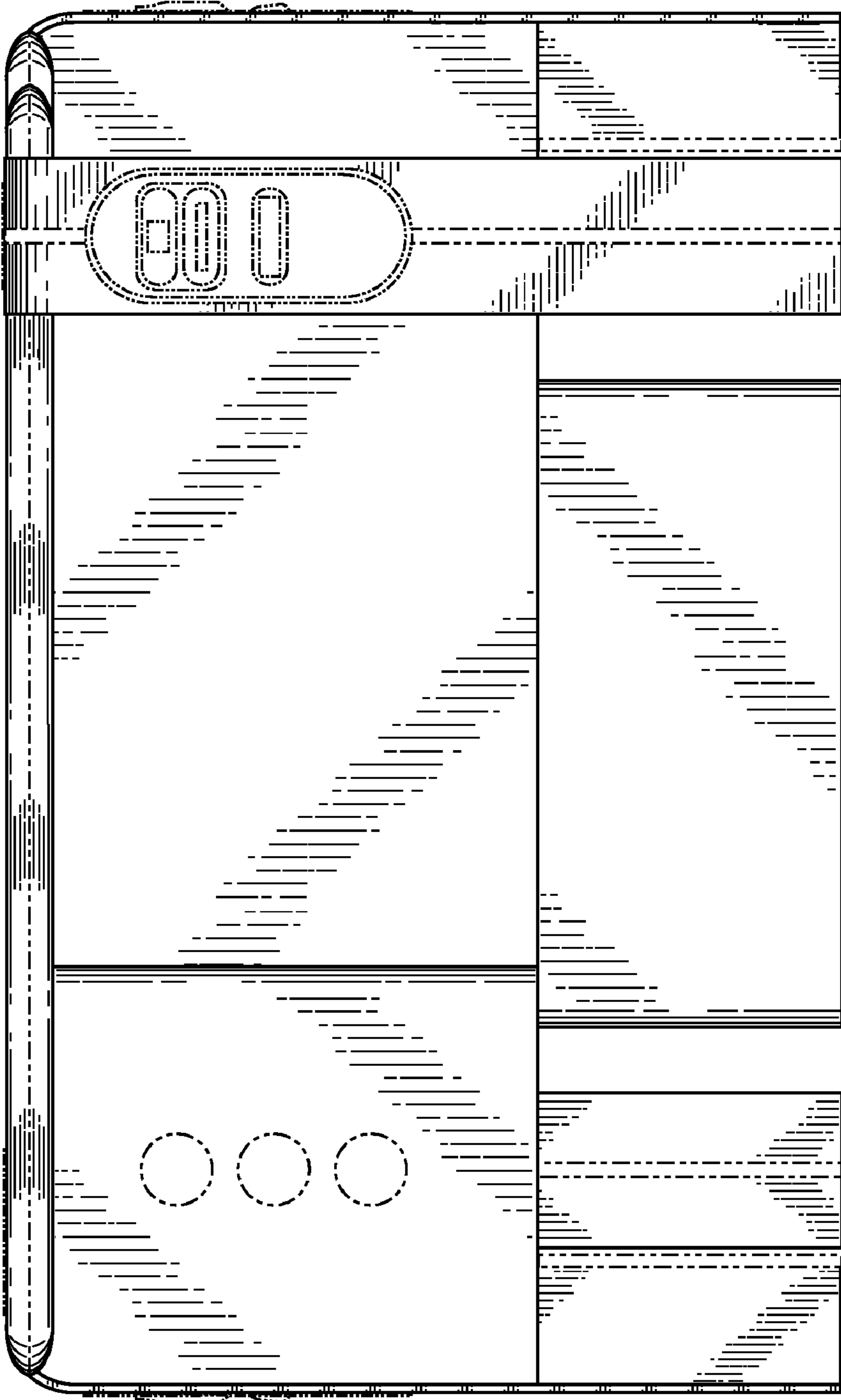


FIG. 4

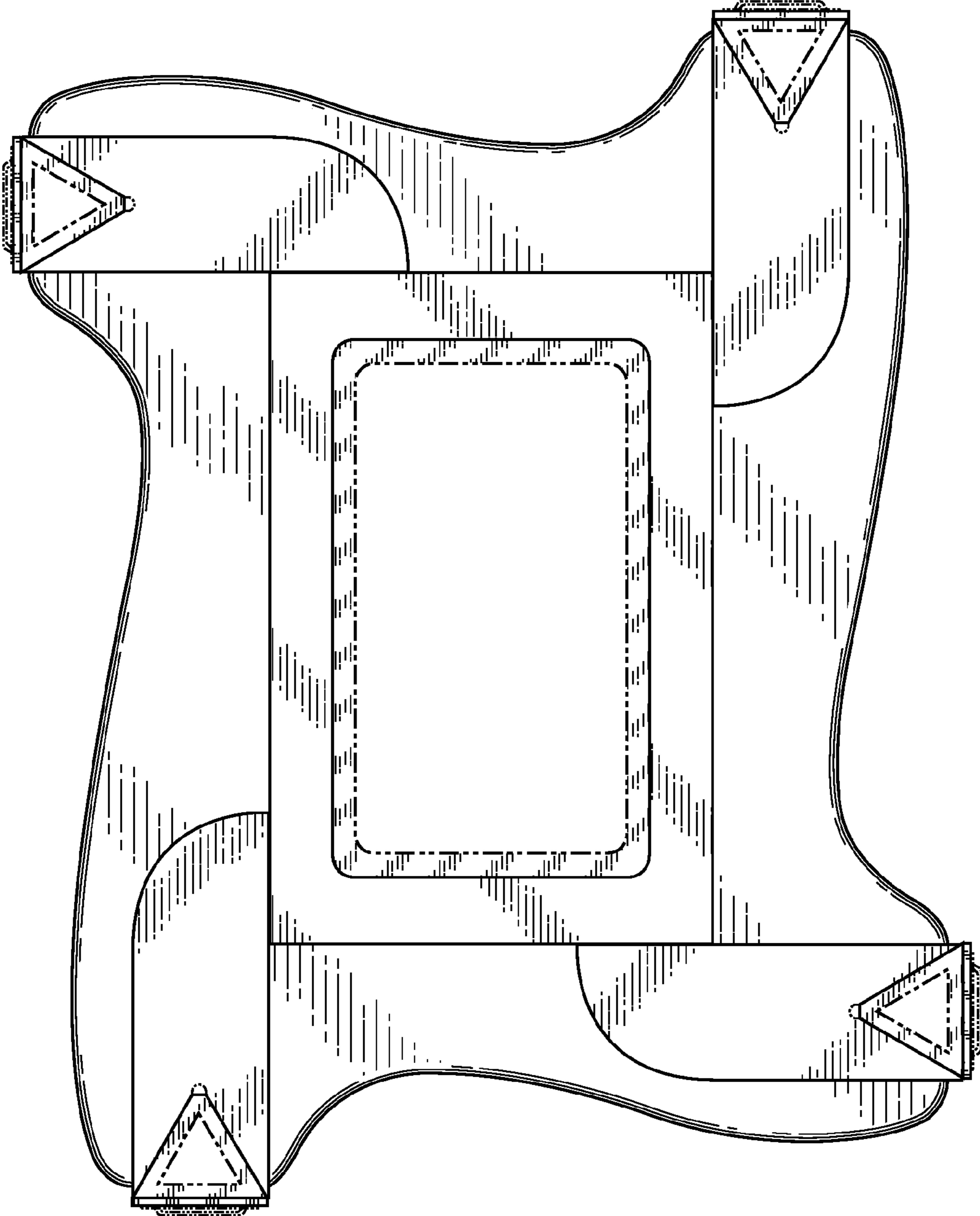


FIG. 5