



US00D595783S

(12) **United States Design Patent**
Anderson

(10) **Patent No.:** **US D595,783 S**

(45) **Date of Patent:** **** Jul. 7, 2009**

(54) **MULTI-STATION GAMING MACHINE**

(75) Inventor: **Frank Anderson**, Las Vegas, NV (US)

(73) Assignee: **Bally Gaming, Inc.**, Las Vegas, NV (US)

(**) Term: **14 Years**

(21) Appl. No.: **29/297,158**

(22) Filed: **Nov. 5, 2007**

(51) **LOC (9) Cl.** **21-03**

(52) **U.S. Cl.** **D21/369; D21/327; D6/423**

(58) **Field of Classification Search** **D6/423, D6/480; D14/304-307; D21/324-329, 369-371; 273/138.1; 463/13, 16-17, 46-47**
See application file for complete search history.

(56) **References Cited**

U.S. PATENT DOCUMENTS

6,095,524 A * 8/2000 Richter et al. 273/269

D568,413 S * 5/2008 Baazov et al. D21/369
2007/0072682 A1 * 3/2007 Crawford et al. 463/46

* cited by examiner

Primary Examiner—Sandra Morris

(74) *Attorney, Agent, or Firm*—Marvin A. Hein; J.P. Cody

(57) **CLAIM**

The ornamental design for a multi-station gaming machine, as shown and described.

DESCRIPTION

FIG. 1 is a perspective view of a multi-station gaming machine, showing my new design;

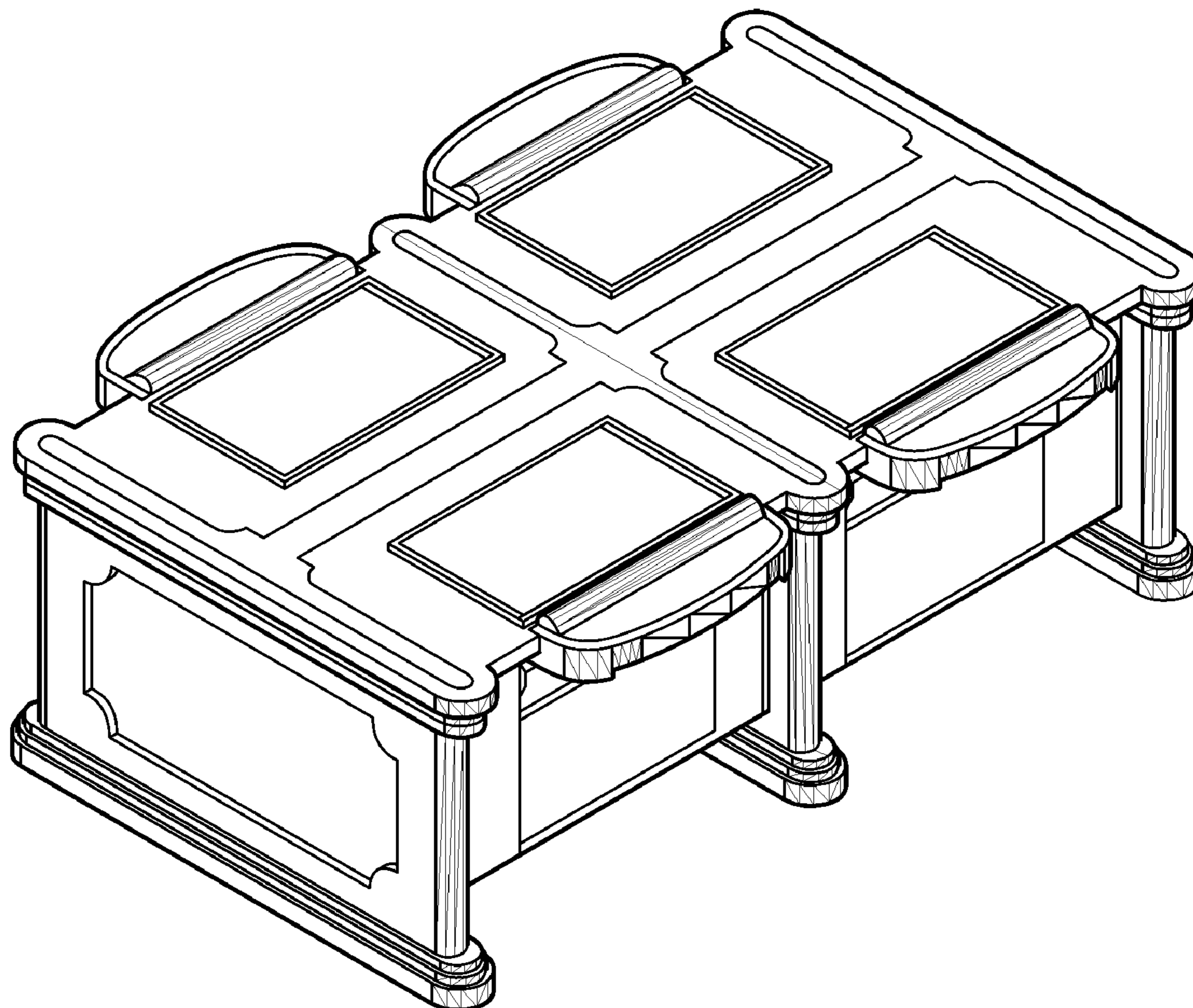
FIG. 2 is a top view thereof;

FIG. 3 is a front elevational view thereof;

FIG. 4 is a right side elevational view thereof; and,

FIG. 5 is a rear elevational view thereof.

1 Claim, 3 Drawing Sheets



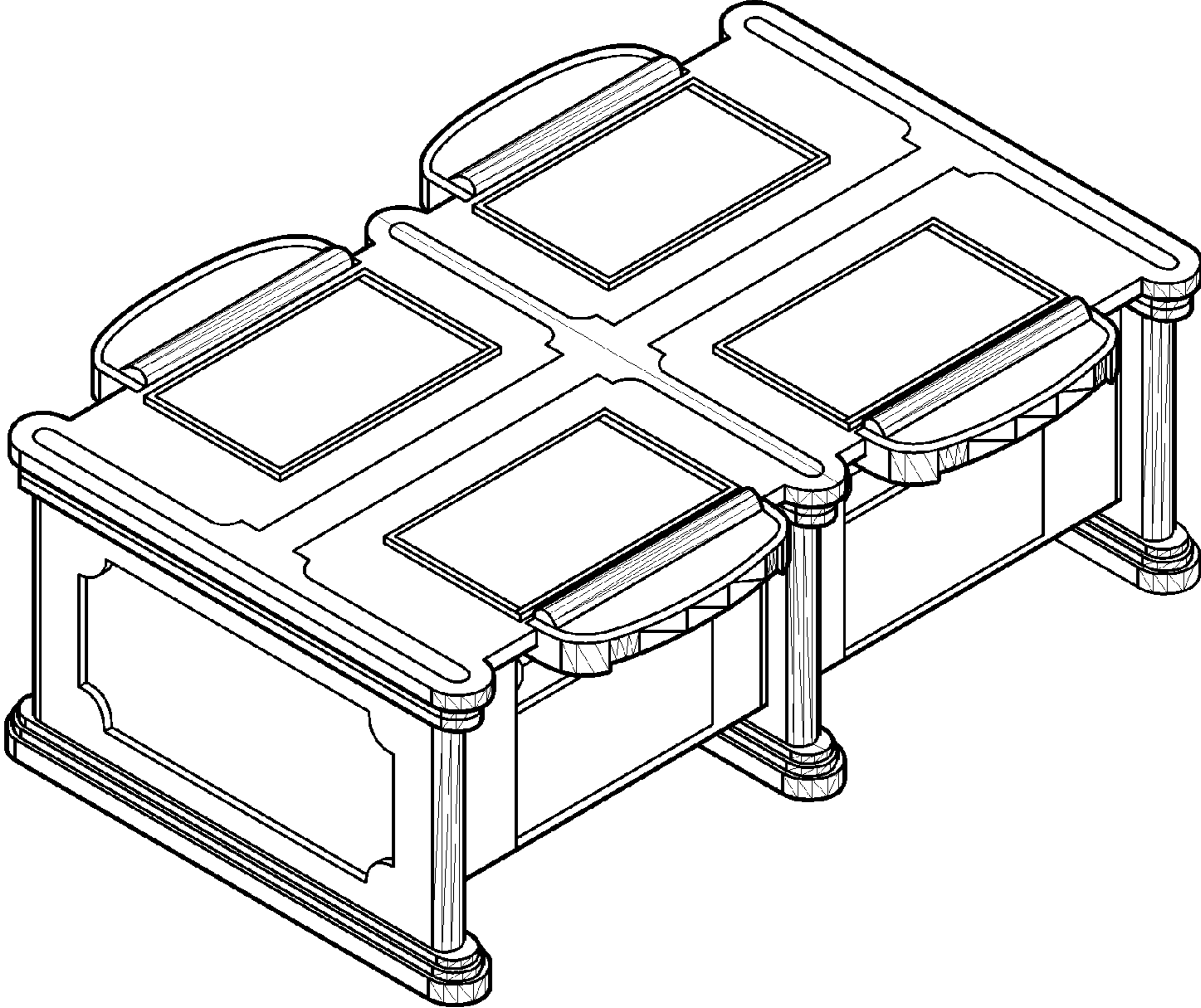


FIG. 1

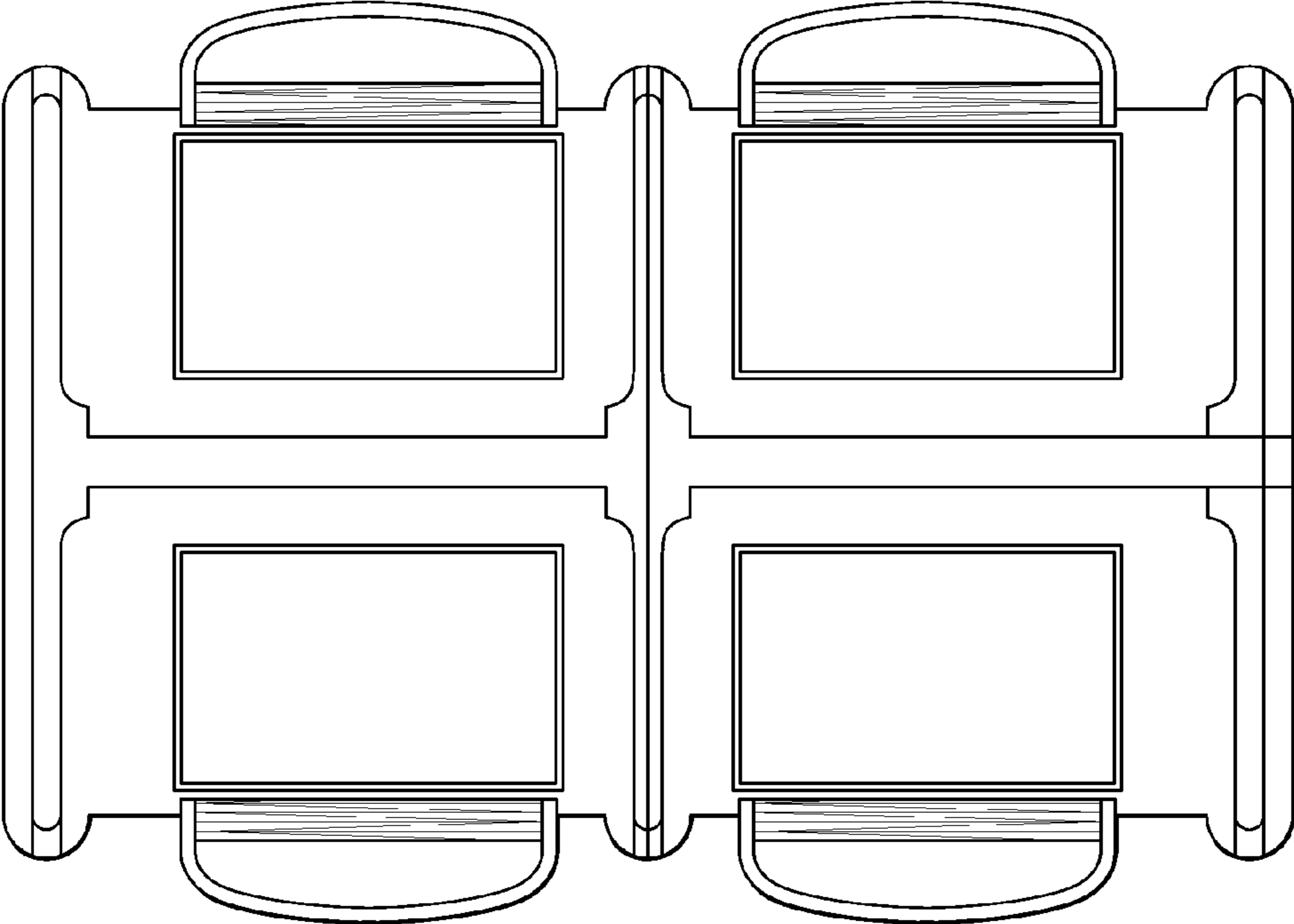


FIG. 2

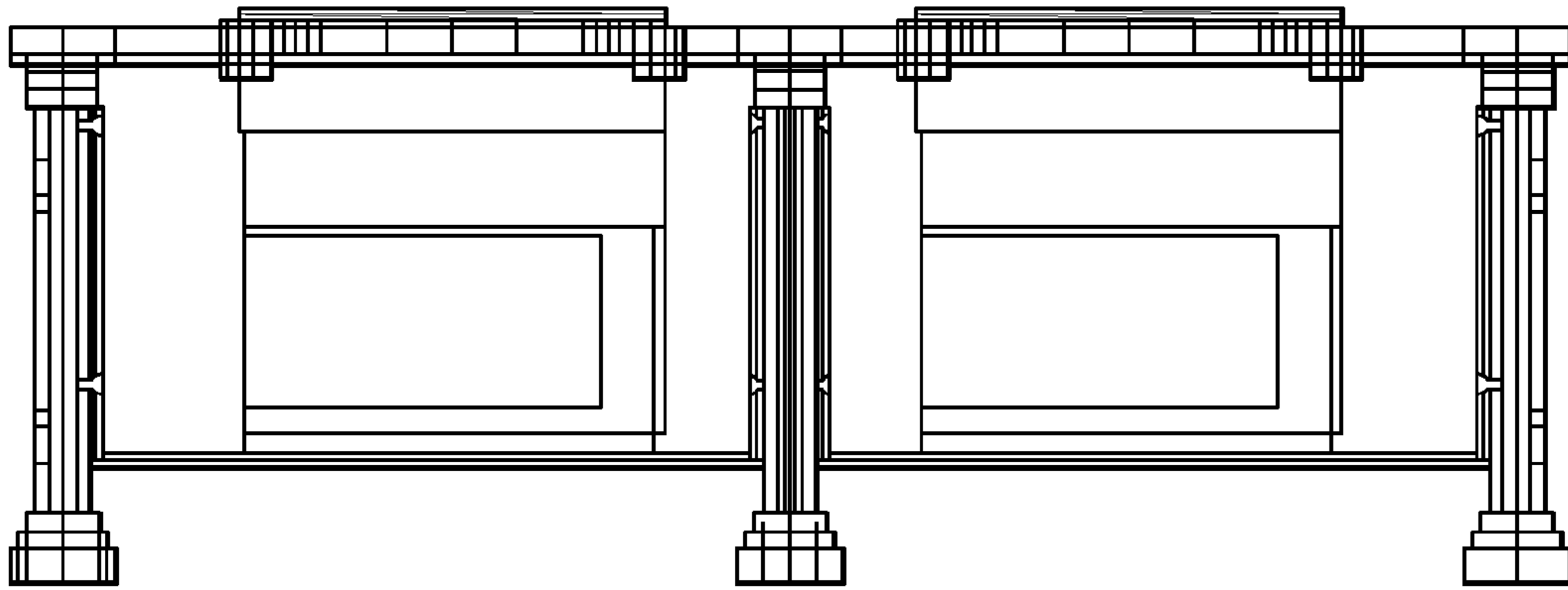


FIG. 3

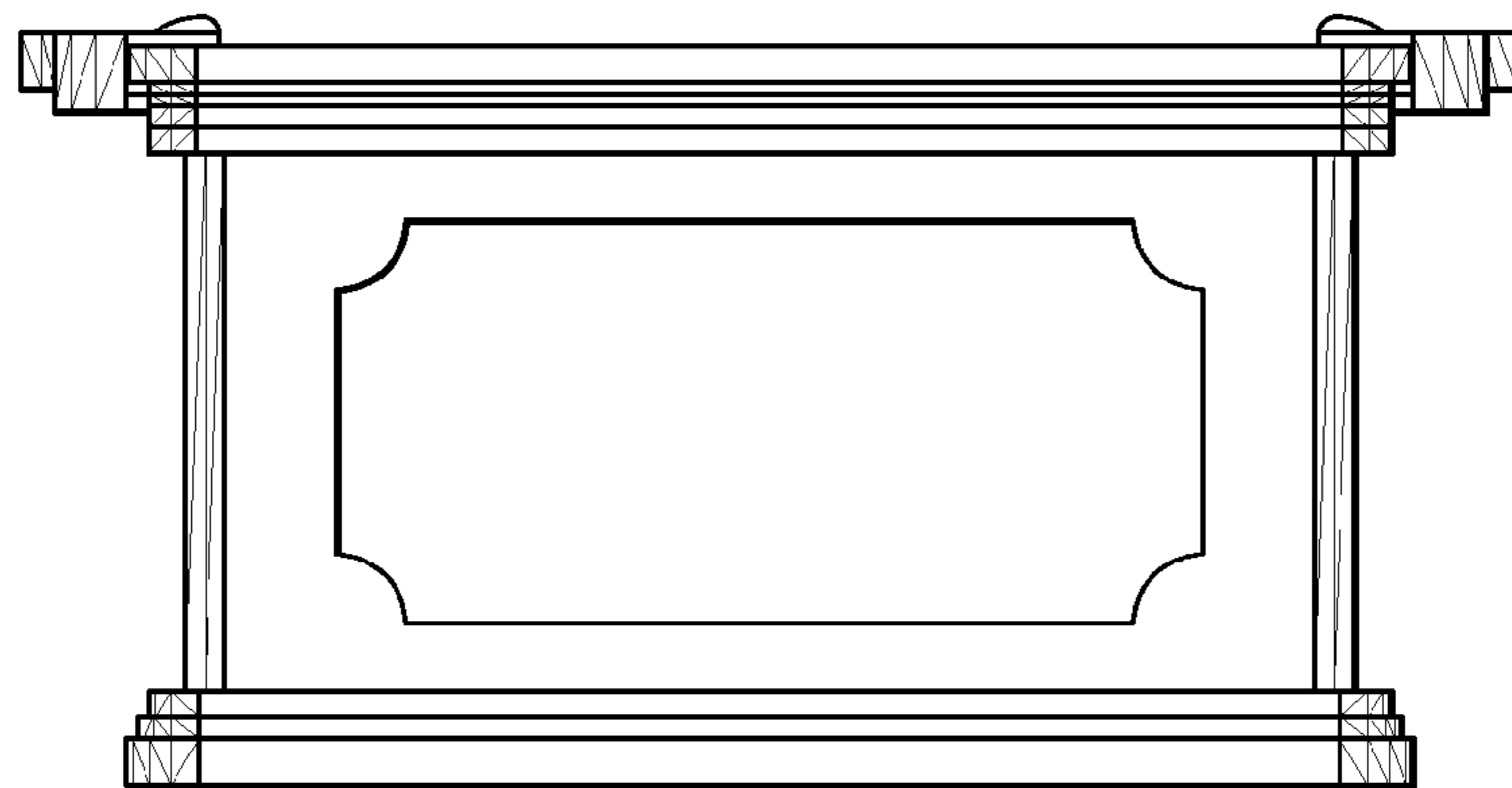


FIG. 4

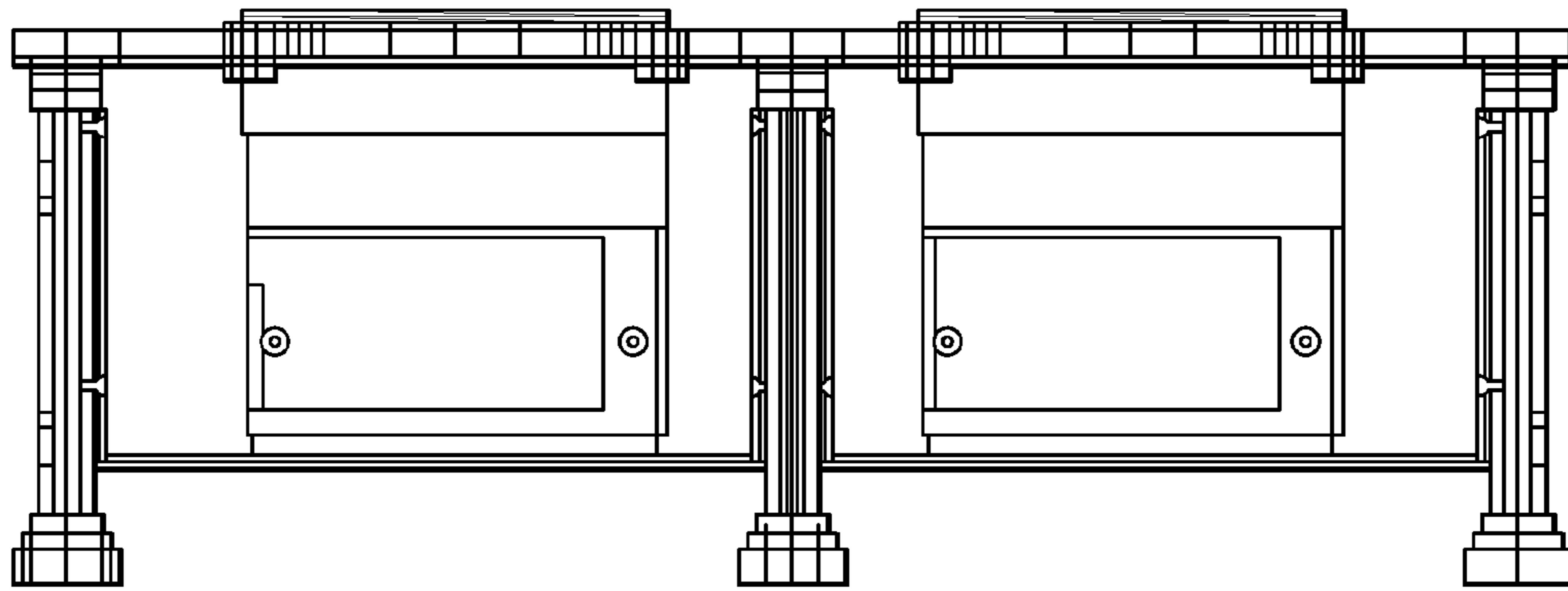


FIG. 5